

ITEM : 172779
MODEL : PB1230G
PART : 10711



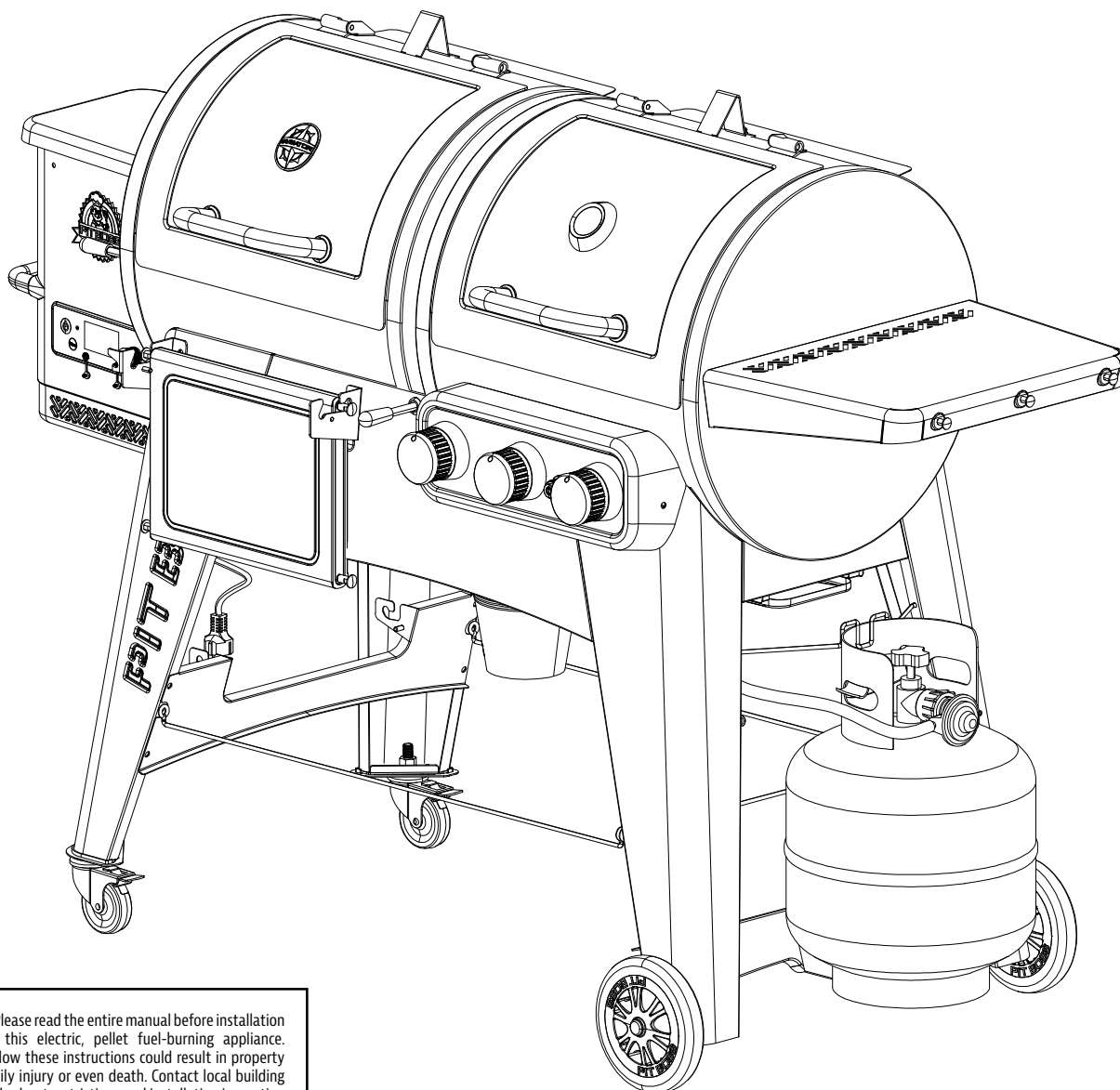
PIT BOSS[®] NAVIGATOR

WOOD PELLET & GAS COMBO

IMPORTANT, READ CAREFULLY, RETAIN FOR FUTURE REFERENCE. MANUAL MUST BE READ BEFORE OPERATING!

For outdoor and household use only. Not for commercial use.

**ASSEMBLY
GUIDE**



WARNING: Please read the entire manual before installation and use of this electric, pellet fuel-burning appliance. Failure to follow these instructions could result in property damage, bodily injury or even death. Contact local building or fire officials about restrictions and installation inspection requirements in your area.

TABLE OF CONTENTS

- Parts & Specs..... 4
- Assembly Preparation..... 6
- Assembly Instructions
 - Assemble the Grease Tray Support 6
 - Mounting the Grease Tray To the Main Barrel 6
 - Installing the Lid Stopper..... 7
 - Securing Support Plates And Caster Wheels..... 7
 - Securing Support Plates And Wheels 7
 - Securing The Frame Assembly..... 8
 - Mounting Main Barrel To The Cart 8
 - Securing Cart Panel To The Grill 8
 - Securing The Cart Bars 8
 - Attaching The Cylinder Wire Retainer 8
 - Securing The Cylinder Support Bracket..... 9
 - Attaching The Hose Retainer..... 9
 - Installing The Lid Handle 9
 - Securing The Front Shelf Brackets..... 9
 - Installing The Front Shelf 9
 - Installing The Side Shelf 9
 - Installing The Grill Cooking Components 10
 - Installing Grease Bucket 10
 - Installing The Battery 10
 - Connecting To A Power Source..... 10



COPYRIGHT NOTICE

Copyright 2020. All right reserved. No part of this manual may be copied, transmitted, transcribed, stored in a retrieval system, in any form or by any means without expressed written permission of,

Dansons
3411 North 5th Avenue, Suite 500, Phoenix, AZ, USA 85013
www.pitboss-grills.com

Customer Service in Australia and New Zealand:
Genesis International Corporation Pty Ltd.
1/71 Truganina Road Malaga WA 6090
+61 8 9248 9822
service@genesiscorp.com.au

PARTS & SPECS

Part#	Description
1	Porcelain-Coated Steel Upper Cooking Rack (x2)
2	Porcelain-Coated Cast-Iron Cooking Grid (x4)
3	Flame Broiler Slider (x1)
4	Flame Broiler Main Plate (x1)
5	Smoke Adjusting Bar (x1)
6	Smoke Adjusting Bar Knob (x1)
7	Heat Tent (x3)
8	Lid Stopper (x2)
9	Lid Handle (x2)
10	Lid Handle Bezel (x4)
11	Main Barrel / Hopper Assembly (x1)
12	Meat Probe (x2)
13	Flame Broiler Adjusting Bar (x1)
14	Side Shelf (x1)
15	Grease Tray Support A (x2)
16	Grease Tray Support B (x2)
17	Grease Tray (x1)
18	Grease Bucket Liner (x1)
19	Grease Bucket (x1)
20	Support Leg for Caster / Back (x1)
21	Support Leg for Caster / Front (x1)
22-1	Left Front Support Leg Trim Piece (x1)
22-2	Left Back Support Leg Trim Piece (x1)
23	Locking Casters (x2)
24	Support Leg / Back (x1)
25	Support Leg / Front (x1)
26	Wheel (x2)
27	Cart Side Panel (x2)
28	Cart Back Panel (x1)
29	Cart Front Panel (x1)
30	Cart Support Girder M (x1)
31	Cart Support Girder L (x1)

Part#	Description
32	LP Gas Cylinder Support Bracket (x1)
33	LP Gas Cylinder Wire Retainer (x1)
34	Cart Bar A (x2)
35	Cart Bar B (x1)
36	Front Shelf Bracket /L (x1)
37	Front Shelf Bracket /R (x1)
38	Front Shelf (x1)
39	Cable Clips (x1)
40	Power Cable (x1)
A	Screw (x33)
B	Washer (x33)
C	Locking Washer (x33)
D	Screw (x26)
E	Screw (x4)
F	Wheel Cotter Pin (x2)
G	Wheel Washer (x2)
H	Wheel Axle Pin (x2)
I	AA Battery (x1)

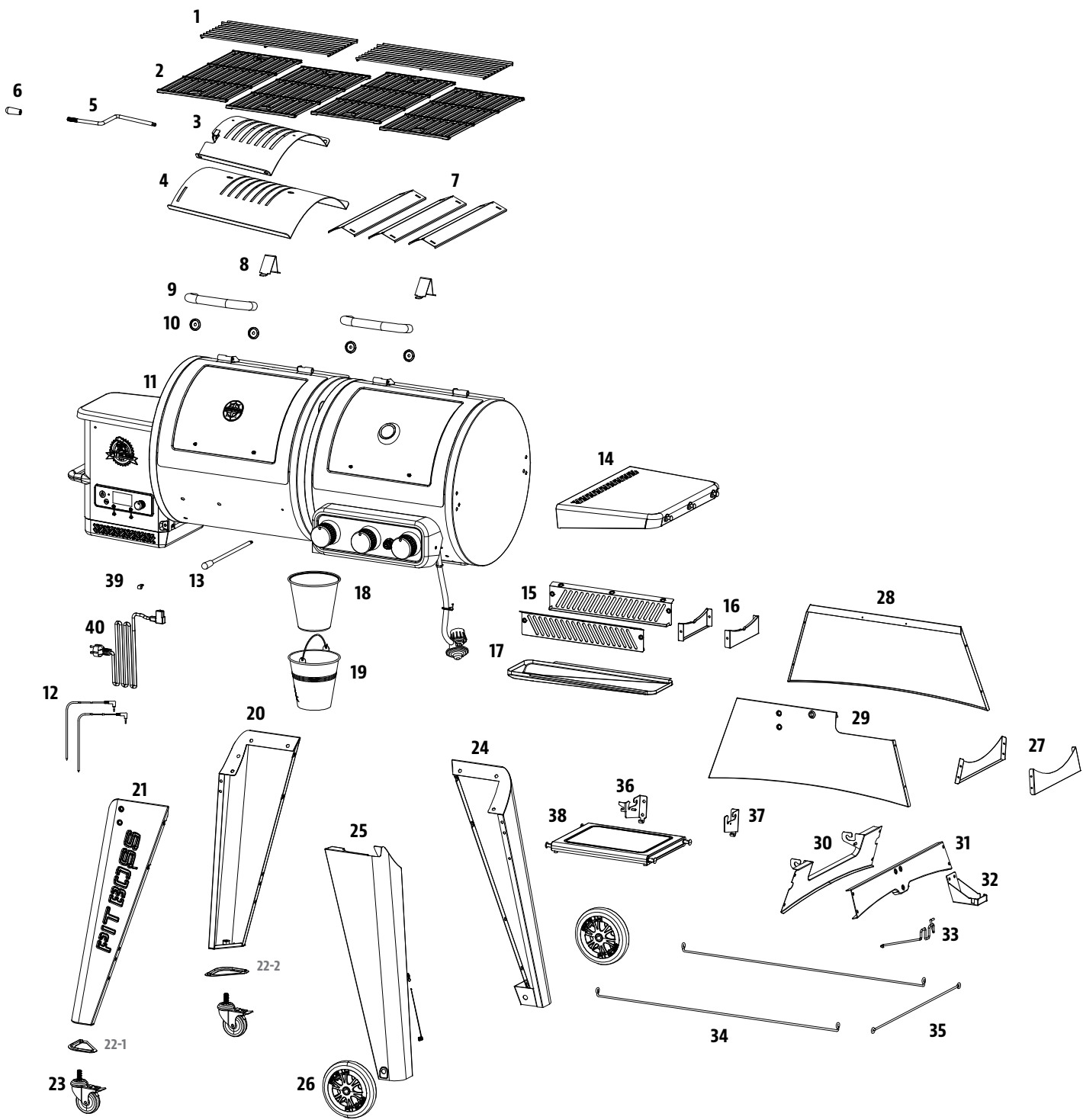
NOTE: Due to ongoing product development, parts are subject to change without notice. Contact Customer Service if parts are missing when assembling the unit.

PB – ELECTRIC REQUIREMENTS
220-240V, 50HZ, 250W, 3-PRONG GROUNDED PLUG

Diagram Illustration on next page.

MODEL	UNIT ASSEMBLED (WxHxD)	UNIT WEIGHT	COOKING AREA	TEMP. RANGE	DIGITAL FEATURES
PB PB1230G	1,759mm x 1,195mm x 866mm / 69.2" x 47" x 34.1"	92 kg / 202.82 lb	Main Pellet - 2,580.6 cm ² / 400 sq. in. Upper Rack - 1,489 cm ² / 230.8 sq. in. TOTAL - 4,069.6 cm² / 630.8 sq. in.	82-260°C / 180-500°F	Ten temperature presets, start-up cycle, electric igniter
			Main Gas - 2,580.6 cm ² / 400 sq. in. Upper Rack - 1,489 cm ² / 230.8 sq. in. TOTAL - 4,069.6 cm² / 630.8 sq. in.		
			TOTAL GRILL - 8,139.2 cm² / 1,261.6 sq. in.		

PARTS & SPECS



A		B		C		D		E	
F		G		H		I			

ASSEMBLY PREPARATION

Parts are located throughout the shipping carton, including underneath the grill. Inspect the grill, parts, and hardware blister pack after removing from the protective shipping carton. Discard all packaging materials from inside and outside of the grill before assembly, then review and inspect all parts by referencing the parts list. If any part is missing or damaged, do not attempt to assemble. Shipping damage is not covered under warranty. Contact Bunnings Australia or Genesis International Corporation Pty Ltd. for Customer Service.

service@genesiscorp.com.au | +61 8 9248 9822

IMPORTANT: To ease installation and avoid injury, use two people when assembling this appliance.

Tools required for assembly: screwdriver and level. *Tools not included.*



ASSEMBLY INSTRUCTIONS

IMPORTANT: It is advised to read each step entirely before starting assembly on instructions. Do not tighten screws completely until all screws for that step have been installed. Hardware combination involving a locking washer and washer should be installed with the locking washer closest to the head of the screw.

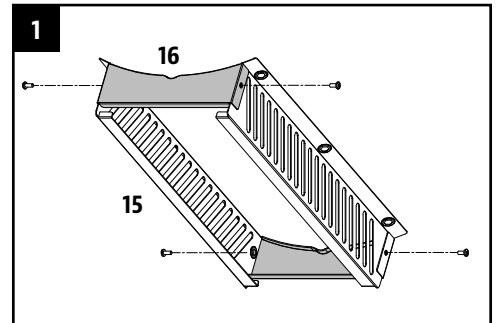
1. ASSEMBLE THE GREASE TRAY SUPPORT

Parts Required:

- 2 x Grease Tray Support A (#15)
- 2 x Grease Tray Support B (#16)
- 4 x Screw (#D)

Installation:

- Mount Grease Tray Support A to Grease Tray Support B using four screws.



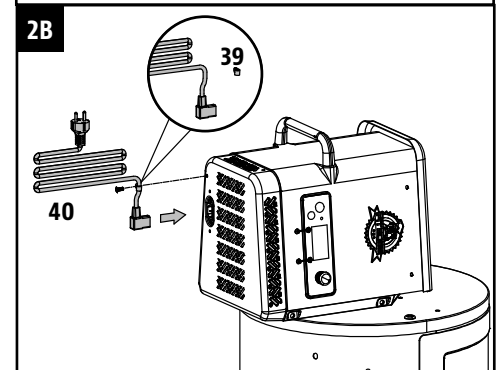
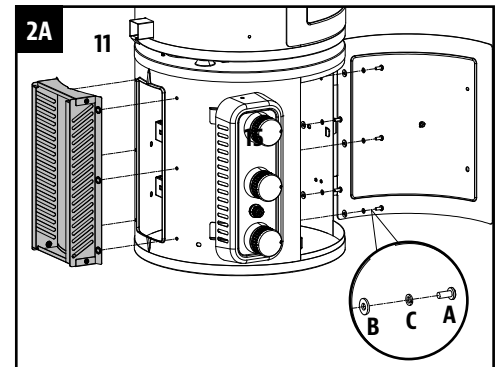
2. MOUNTING THE GREASE TRAY TO THE MAIN BARREL

Parts Required:

- 1 x Main Barrel / Hopper Assembly (#11)
- 1 x Cable Clip (#39)
- 1 x Power Cable (#40)
- 6 x Screw (#A)
- 6 x Washer (#B)
- 6 x Locking Washer (#C)

Installation:

- Place a piece of cardboard on the floor to prevent scratching the unit. Lay the Main Barrel on it's side, hopper end pointed upward on the cardboard.
- Mount Grease Tray Support to the floor end of the Main Barrel using six screws, locking washers and washers. Note illustration 2A.
- Place the Cable Clips on the Power Cable. Insert the power cord into a groove at the bottom of the hopper.
- Secure the wire clip to the hopper using screws pre-installed at the bottom of the hopper. Note illustration 2B.



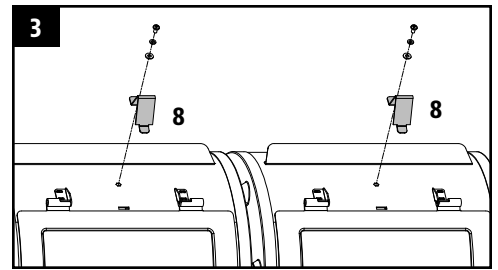
3. INSTALLING THE LID STOPPER

Parts Required:

- 2 x Lid Stopper (#8)

Installation:

- Secure the Lid Stopper onto the top of the Main Barrel using the pre-installed screw on top of the Main Barrel.



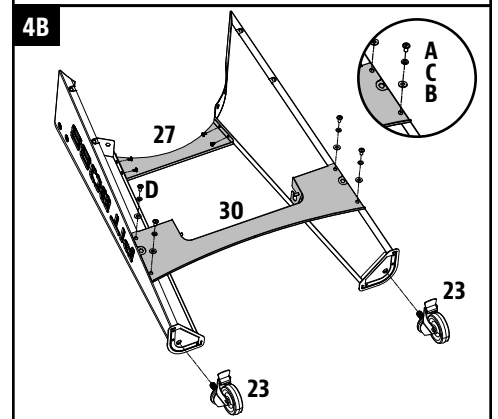
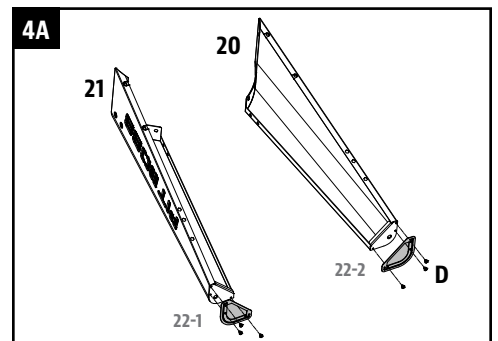
4. SECURING SUPPORT PLATES AND CASTER WHEELS

Parts Required:

- 1 x Support Leg for Caster / Back (#20)
- 1 x Support Leg for Caster / Front (#21)
- 1 x Left Front Support Leg Trim Piece (#22-1)
- 1 x Left Back Support Leg Trim Piece (#22-2)
- 1 x Cart Side Panel (#27)
- 1 x Cart Support Girder / M (#30)
- 2 x Locking Caster (#23)
- 4 x Screw (#A)
- 4 x Washer (#B)
- 4 x Locking Washer (#C)
- 10 x Screw (#D)

Installation:

- Screw Left Front Support Leg Trim Piece to Support Left for Caster /Front. Screw Left Back Support Leg Trim Piece to Support Left for Caster /Back. Note illustration 4A.
- Fix Support Leg for Caster /Front and Support Leg for Caster /Back assembled in previous step with Cart Side Panel connection with screws (#D). Fix the Cart Support Girder M on the assembled parts in previous step with screws (#A), locking washers and washers. Note illustration 4B.



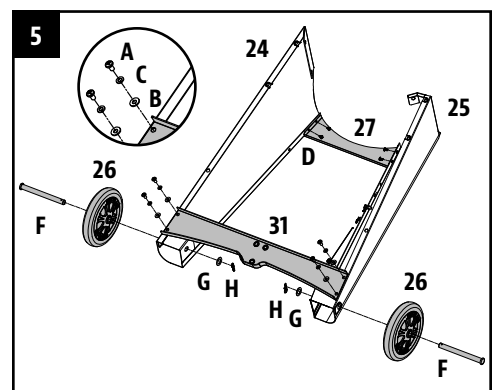
5. SECURING SUPPORT PLATES AND WHEELS

Parts Required:

- 1 x Support Leg / Back (#24)
- 1 x Support Leg / Front (#25)
- 2 x Wheel (#26)
- 1 x Cart Side Panel (#27)
- 1 x Cart Support Girder / L (#31)
- 4 x Screw (#A)
- 4 x Washer (#B)
- 4 x Locking Washer (#C)
- 4 x Screw (#D)
- 2 x Wheel Axle Pin (#F)
- 2 x Wheel Washer (#G)
- 2 x Wheel Cotter Pin (#H)

Installation:

- Fix Support Leg/ Back and Support Leg/ Front with cart Side Panel with screws (#D). Fix the Cart Support Girder L on the assembled member in the previous step with screws (#A), locking washers and washers.
- Attach the large Wheel to the Support Leg by inserting the Wheel Axle Pin through the Wheel, Support Leg hole, then secure using the Wheel Cotter Pin. Repeat installation for other Wheel on the same side.



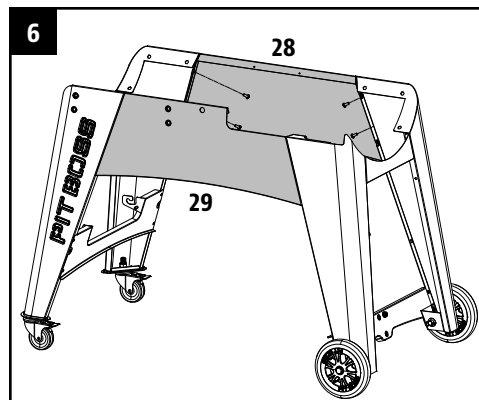
6. SECURING THE FRAME ASSEMBLY

Parts Required:

- 1 x Cart Back Panel (#28)
- 1 x Cart Front Panel (#29)
- 8 x Screw (#D)

Installation:

- Install Cart Back Panel to the front two Support Legs of the unit. Secure using two screws on each side. Ensure the flat side of the Support Plate is facing outwards. Repeat the same installation to Cart Front Panel plate to the other Support Legs.



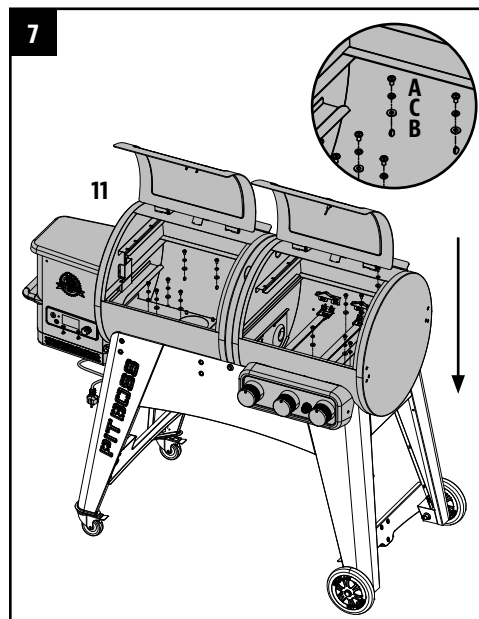
7. MOUNTING MAIN BARREL TO THE CART

Parts Required:

- 1 x Main Barrel (#11)
- 12 x Screw (#A)
- 12 x Washer (#B)
- 12 x Locking Washer (#C)

Installation:

- Prepare the Main Barrel to be mounted to the Cart. Position the Cart next to the Main Barrel, with both facing the same direction. Lock the Caster Wheels on the Cart. Using a second person, prepare to lift the Main Barrel onto the Cart. With one person lifting from the hopper side, and the other person lifting from the opposing barrel end, carefully lift the Main Barrel, and slowly lower onto the Cart.
- Next, open the Main Barrel lid. Adjust the rotation as needed to align the screw holes of the Main Barrel to the Cart. Once placed, secure each leg to the Main Barrel using three screws, washers, and locking washers.



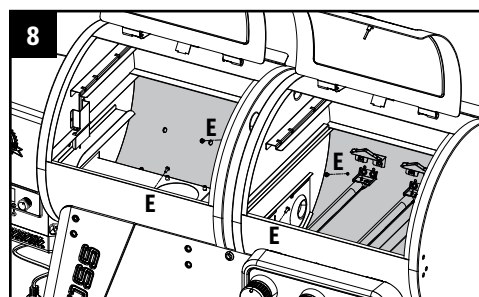
8. SECURING CART PANEL TO THE GRILL

Parts Required:

- 4 x Screw (#E)

Installation:

- Secure Cart Front / Back Panel to Barrel using four screws.



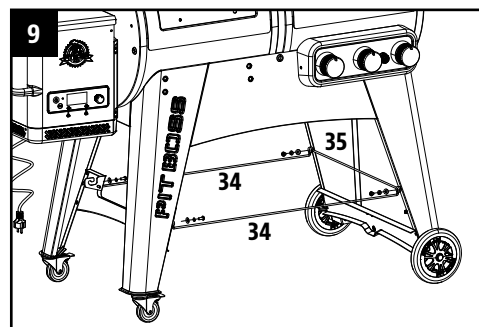
9. SECURING THE CART BARS

Parts Required:

- 2 x Cart Bar A (#34)
- 1 x Cart Bar B (#35)

Installation:

- Secure the Cart Bar A and Cart Bar B to each support leg using the pre-installed screw, locking washer, and washer.



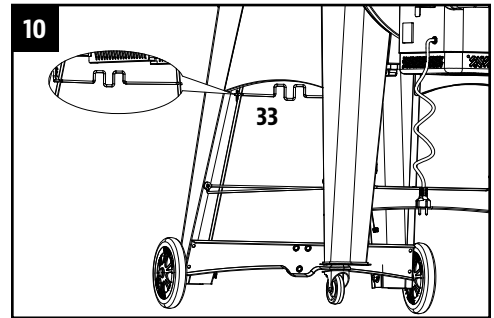
10. ATTACHING THE CYLINDER WIRE RETAINER

Parts Required:

- 1 x LP Gas Cylinder Wire Retainer (#33)

Installation:

- Remove the R-clip from LP gas cylinder wire retainer. Attach the LP gas cylinder wire retainer to the right legs. Use R-clip to secure wire retainer in place.



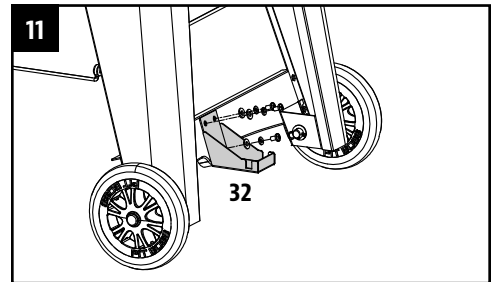
11. SECURING THE CYLINDER SUPPORT BRACKET

Parts Required:

- 1 x LP Gas Cylinder Support Bracket (#32)
- 3 x Screw (#A)
- 3 x Washer (#B)
- 3 x Locking Washer (#C)

Installation:

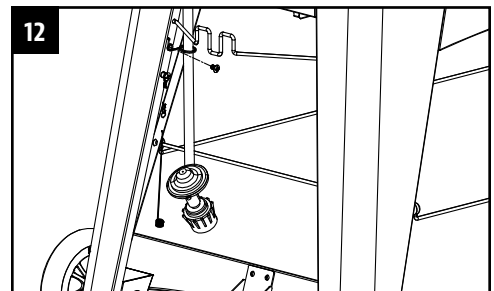
- Secure the LP gas cylinder support bracket to the cart bottom shelf using three screws, locking washers, and washers.



12. ATTACHING THE HOSE RETAINER

Installation:

- Attach Hose Retainer to the side burner panel with the pre-installed screw.



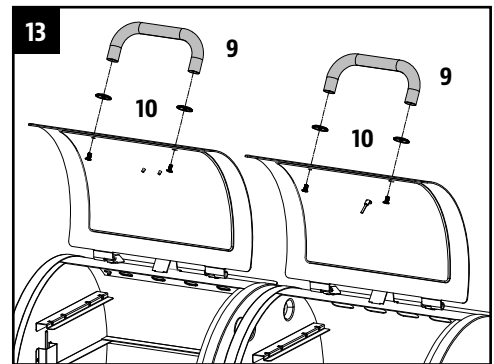
13. INSTALLING THE LID HANDLE

Parts Required:

- 2 x Lid Handle (#9)
- 4 x Lid Handle Bezel (#10)

Installation:

- Remove the pre-installed screws from the Lid Handle. From inside the barrel lid, insert one screw protrude to the outside. Add a Bezel on the screw. Then hand-tighten the screw (from the inside) into the Lid Handle. Repeat for other side.



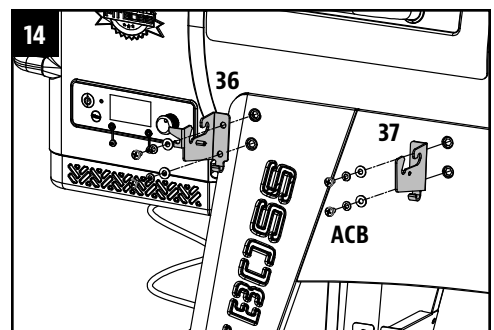
14. SECURING THE FRONT SHELF BRACKETS

Parts Required:

- 1 x Front Shelf Bracket / Left (#36)
- 1 x Front Shelf Bracket / Right (#37)
- 4 x Screw (#A)
- 4 x Washer (#B)
- 4 x Locking Washer (#C)

Installation:

- Attach one Front Shelf Bracket to the front of the Grill Barrel by using two screws. Install each screw half-way, then tighten completely when all two screws are mounted and aligned properly. Repeat the same installation for the other Front Shelf Bracket.



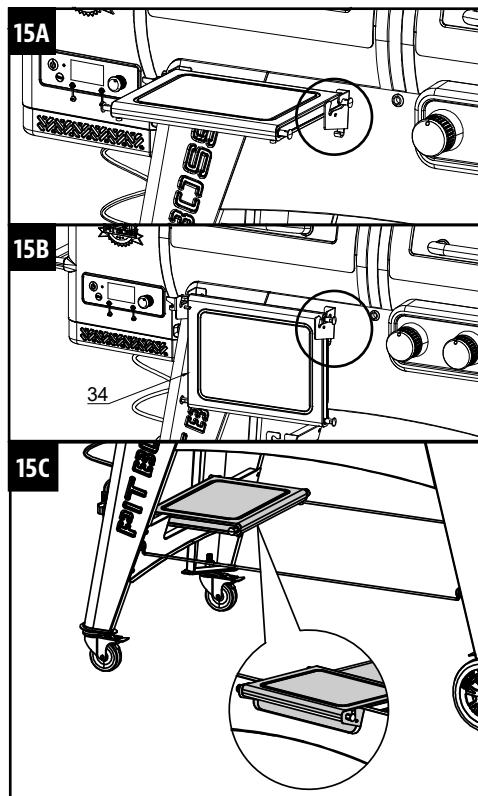
15. INSTALLING THE FRONT SHELF

Parts Required:

- 1 x Front Shelf (#38)

Installation:

- Place the Front Shelf on the Front Shelf Support Brackets. Note illustration 15A as unfolded Front Shelf.
- Note illustration 15B as folded Front Shelf.
- Front Shelf can also be placed on the Bottom Support Plates and be used as Bottom Plate. Note illustration 15C.



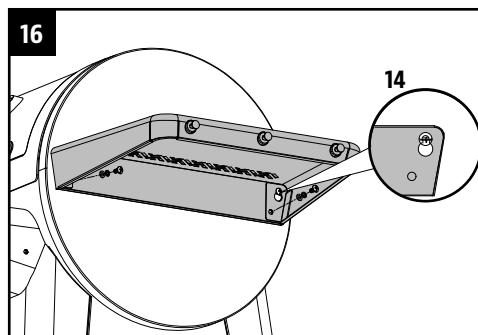
16. INSTALLING THE SIDE SHELF

Parts Required:

- 1 x Side Shelf (#14)

Installation:

- Loosen the two pre-installed screws from the side of the Main Barrel. Hook up the Side Shelf on the screws first then secure the two pre-loosened screws into place.
- From underneath, secure the Side Shelf to the side panel of the Main Barrel using two screws, washers, and locking washers.



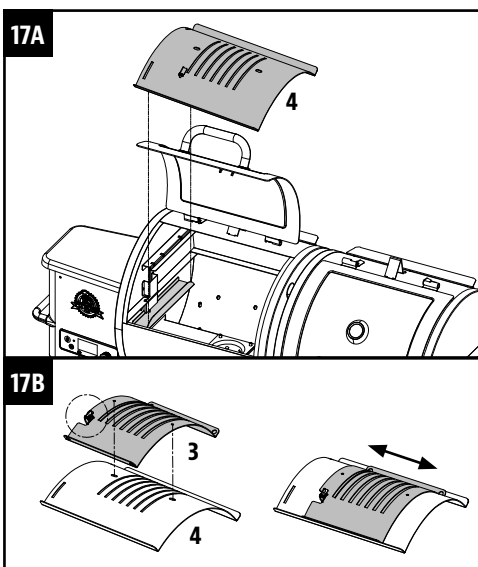
17. INSTALLING THE COOKING COMPONENTS

Parts Required:

- 1 x Flame Broiler Main Plate (#4)
- 1 x Flame Broiler Slider (#3)
- 1 x Flame Broiler Adjusting Bar (#5)
- 1 x Flame Broiler Adjusting Bar Handle (#6)
- 1 x Smoker Adjusting Bar (#13)
- 3 x Heat Tent (#7)
- 4 x Porcelain-Coated Casted-Iron Cooking Grids (#2)
- 2 x Porcelain-Coated Upper Cooking Rack (#1)

Installation:

- Insert the Flame Broiler Main Plate into the main grill. Rest the Flame Broiler Main Plate on the built-in ledge (on the inside right) of the Main Grill that directs grease towards the grease bucket spout. Slide the entire piece to



the left side, and the two slots on the Flame Broiler Main Plate will fit into the rounded ledge above the burn pot. It will sit slightly at a downward angle. Note illustration 17A.

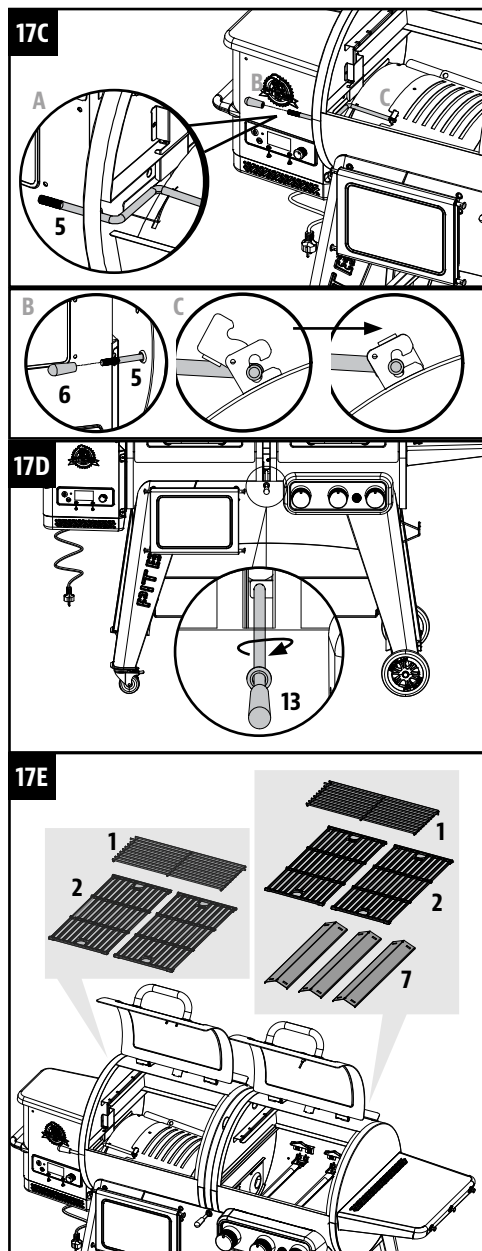
IMPORTANT: If the Main Plate is resting on the base of the Barrel, it is installed incorrectly. Poor installation may result in damage to your Main Grill Barrel.

- Place the Flame Broiler Slider on top of the Flame Broiler Main Plate covering the slotted openings. Ensure the raised tab is on the left and the two pins at the bottom of the Flame Broiler Slider place into the holes of the Flame Broiler Main Plate. To Easily adjust for direct or indirect flame when cooking. Both Flame Broiler parts are lightly coated with oil to avoid rusting when shipped. Note illustration 17B.

NOTE: When the flame broiler slider is open, and direct flame is used while cooking, do not leave the grill unattended for any period of time.

- Insert the Flame Broiler Adjusting Bar through the opening hole on the left side of the Main Barrel. Add the Flame Broiler Adjusting Bar Handle on the end outside the Barrel. Next, slide the notched end of the Adjusting Bar into the locking tab on the Flame Broiler Slider, giving you adjustable access to the Flame Broiler Slider on the Main Plate. Note illustration 17C.
- Screw in the Smoke Adjusting Bar and tighten it. Should slide from front to back smoothly. Note illustration 17D.
- Place the three Heat Tents on the top of the burners. Place the Cooking Grids, side-by-side, on the grid ledge inside the Main Grill. Place the Upper Cooking Rack on the upper ledge inside the Main Grill. The Cooking Rack will lock into place. Note illustration 17E.

NOTE: To maintain the searing and grilling performance of your cooking grids, regular care and maintenance is required. See Owner's Manual.



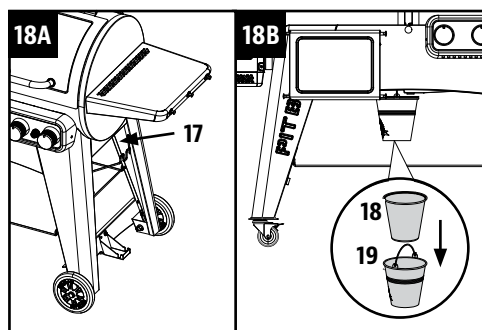
18. INSTALLING GREASE BUCKET

Parts Required:

- 1 x Grease Tray (#17)
- 1 x Grease Bucket Liner (#18)
- 1 x Grease Bucket (#19)

Installation:

- Slide the Grease Tray into the bottom of the barrel. Note illustration 18A.
- Insert the Grease Bucket Liner inside the Grease Bucket. Place the Grease Bucket on the spout hook on the underside of the grill. Ensure it is level to avoid grease spills. Note illustration 18B.



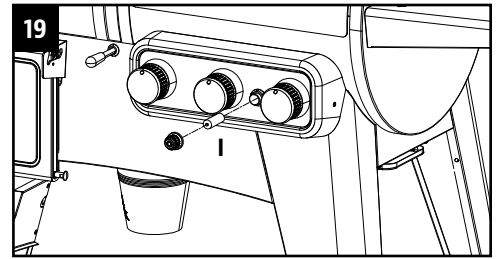
19. INSTALLING THE BATTERY

Parts Required:

- 1 x AA Battery (#1)

Installation:

- Unscrew igniter cap from the control panel. Insert Battery into battery slot with the positive end (+) facing outward. Screw the cap back onto the panel.
- The unit is now completely assembled.



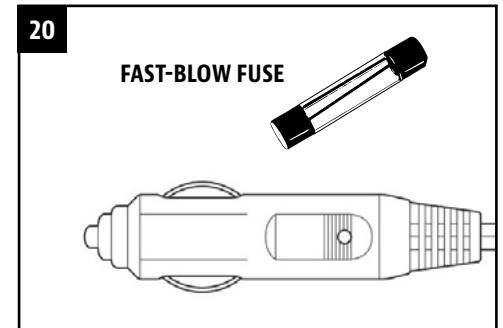
20. CONNECTING TO A POWER SOURCE

NOTE: Before plugging your Pit Boss® into any electrical outlet, ensure the temperature dial is in the OFF position.

- **STANDARD OUTLET**
This appliance requires 220-240 volt, 50hz, 250w. It must be a 3-prong grounded plug.
- **GFCI OUTLETS**
This appliance will work on most GFCI outlets, with a recommended size of 15 amp service. If your GFCI outlet is highly sensitive to power surges, it will likely trip during the start-up phase of operation. During the start-up phase, the igniter draws 200-700 watts of electricity, which can be too much power for a GFCI outlet to handle. Each time it trips, it increases in sensitivity. If the GFCI keeps tripping, replace the outlet or change to a non-GFCI outlet.
- **ON THE ROAD**
Disconnect the igniter from the main wiring harness. Use the manual start-up procedure. A Pit Boss® unit can operate using a 12 volt, 100 watt inverter plugged into your automobile outlet. To use the automatic igniter, it is recommended to use a minimum of a 1000 watt inverter.

IMPORTANT: Disconnect unit from power source when not in use.

IMPORTANT: Refer to Owner's Manual for Operating Instructions





IMPORTANT

For all questions, inquiries, or customer support, please contact
Genesis International Corporation Pty Ltd.

+61 8 9248 9822 | service@genesiscorp.com.au



WARNING: This product can expose you to chemicals including carbon monoxide, which is a combustion by-product known to cause cancer, birth defects or other reproductive harm. For more information, go to: WWW.PRODUCTSAFETY.GOV.AU/NEWS/CARBON-MONOXIDE-SAFETY



480200429AUM

MADE IN CHINA