

barbecook®

STELLA 3221

223.9422.000



**GO TO WWW.BARBECOOK.COM,
REGISTER YOUR BARBECOOK AND
YOUR BARBECOOK EXPERIENCE
WILL BE FURTHER IMPROVED!**

THIS IS YOUR UNIQUE SERIAL N°

- [EN]** Go to barbecue.com, register your Barbecue and your Barbecue experience will be further improved!
- [NL]** Ga naar barbecue.com, registreer uw Barbecue om uw Barbecue-ervaring nog meer te verbeteren!
- [FR]** Rendez-vous sur barbecue.com et enregistrez votre appareil Barbecue pour nous aider à améliorer votre expérience Barbecue.
- [DE]** Registrieren Sie Ihren Barbecue auf barbecue.com, damit Sie ein noch umfangreicheres Barbecue-Erlebnis genießen können!
- [ES]** Visite barbecue.com, registre su Barbecue y su experiencia con el producto será aún mejor.
- [IT]** Visita il sito barbecue.com , registra il tuo Barbecue e sarai ancora più vicino al mondo Barbecue!
- [PT]** Aceda a barbecue.com, registe o seu Barbecue e a sua experiência com a Barbecue será continuamente melhorada!
- [SE]** Gå till barbecue.com, registrera din Barbecue och din upplevelse med Barbecue kommer att bli ännu bättre!”
- [DK]** Gå til barbecue.com, tilmeld din Barbecue for en endnu bedre Barbecue-oplevelse!
- [FI]** Rekisteröi Barbecue-grillisi osoitteessa barbecue.com ja pääset nauttimaan täydellisestä Barbecue-käyttökokemuksesta!
- [NO]** Gå til barbecue.com, registrer din Barbecue og din Barbecue opplevelse vil bli enda bedre!
- [HU]** Látogasson el a barbecue.com oldalra, regisztrálj a Barbecue-ját, és még több Barbecue élményben lehet része!
- [RO]** Accesați barbecue.com, înregistrați grătarul Barbecue, iar experiența dvs. Barbecue va fi mult îmbunătățită!
- [CS]** Navštivte stránky barbecue.com, zaregistrujte si svůj gril Barbecue a vaše zážitky s produkty Barbecue budou ještě lepší!
- [GR]** Μεταβείτε στον ιστότοπο barbecue.com και δηλώστε το Barbecue που έχετε αγοράσει, για να βελτιώσετε ακόμη περισσότερο την εμπειρία Barbecue!
- [SK]** Prejdite na barbecue.com, zaregistrujte svoj gril Barbecue a vaše zážitky s Barbecue budú ešte lepšie!
- [ET]** Minge aadressile barbecue.com, registreerige oma Barbecue ja teil avaneb võimalus kasutada oma Barbecooki veelgi paremini!
- [LT]** Eikite į barbecue.com, užregistruokite savo „Barbecook“ kepsninę ir patirsite dar geresnių įspūdžių ją naudodami!
- [LV]** Atveriet vietni www.barbecue.com, reģistrējiet savu Barbecue un izmantojiet Barbecue vēl pilnvērtīgāk!
- [PL]** Przejdź na stronę barbecue.com, zarejestruj swój produkt Barbecue w celu umożliwienia stałego udoskonalania produktów Barbecue!
- [BG]** Посетете barbecue.com, регистрирайте своя Barbecue, за да получите още по-голямо удовлетворение от Barbecue!
- [SL]** Pojdite na spletno stran barbecue.com, registrirajte vašo napravo Barbecue in vaša izkušnja Barbecue bo še boljša!
- [HR]** Posjetite stranicu barbecue.com, registrirajte Vaš proizvod Barbecue i još više uživajte u korištenju proizvoda Barbecue.

EN - User guide	5	PL – Instrukcja użytkownika.....	313
NL - Gebruiksaanwijzing	21	BG - Ръководство за потребителя.....	329
FR - Mode d'emploi.....	37	SI – Priročnik za uporabo.....	347
DE – Bedienungsanleitung	55	HR - Korisnički priručnik.....	363
ES – Guía del usuario	73	Illustrations.....	379
IT - Guida all'uso	89		
PT - Manual do utilizador	105		
SV - Bruksanvisning.....	121		
DA - Brugervejledning	137		
FI - Käyttöopas.....	153		
NO - Brukerhåndbok.....	169		
HU - Használati utasítás	185		
RO - Ghid de utilizare.....	201		
CZ - Uživatelská příručka.....	217		
EL - Οδηγίες χρήσης	233		
SK – Návod na používanie.....	249		
ET – Kasutusjuhend	265		
LT – Naudotojo vadovas	281		
LV – Lietošanas pamācība	297		

EN - USER GUIDE

1	Register your appliance	6	10	Useful tips and tricks	13
2	About this manual	6		• Preheating the appliance	13
3	Important safety instructions	6		• Preventing food from sticking	13
	• Read and follow the instructions.....	6		• Direct and indirect grilling	13
	• Be cautious with gas	6		• Grilling with closed lid	13
	• Select an appropriate location	6		• Watching the temperature.....	13
	• Use your common sense	6		• Making optimal use of the heat.....	13
				• Taking advantage of the heat zones	13
4	Recurrent concepts.....	6		• Avoiding flare-ups	14
	• Venturis.....	6	11	Maintaining the appliance.....	14
	• Burner hoods.....	7		• Cleaning the grill	14
	• Enamel.....	7		• Cleaning the bowl	14
	• Flare-ups	7		• Cleaning the burners and venturis	14
5	Assembling the appliance.....	7		• Maintaining enamel, stainless steel and powder coated parts	15
	• Safety instructions.....	7		• Storing the appliance	15
	• To assemble the appliance.....	7		• Storing gas cylinders.....	15
6	Connecting gas to the appliance	7		• Ordering spare parts	16
	• Which cylinder, hose and regulator?	7	12	Warranty.....	16
	• Safety instructions.....	8		• Covered.....	16
	• Connecting the hose to the appliance	8		• Not covered.....	16
	• Connecting the hose and cylinder to the regulator	9	13	Technical specifications.....	16
	• Replacing the cylinder.....	9		• Type label	16
7	Checking for gas leaks.....	9		• Injector diameters	16
	• Why check for gas leaks?	9	14	Troubleshooting	17
	• When check for gas leaks?	9			
	• Safety instructions.....	9			
	• Which materials do I need?.....	9			
	• To check for gas leaks.....	9			
	• In case of a gas leak.....	10			
8	Getting the appliance ready for use.....	10			
	• Before each use	10			
	• Before first use (in a long time).....	10			
	• Burning in the appliance.....	10			
9	Lighting the burners	11			
	• Safety instructions.....	11			
	• Lighting the main burners.....	11			
	• Lighting the side burner	11			
	• Switching the burners off	12			
	• Relighting the burners	12			
	• Checking the flames.....	12			

1 REGISTER YOUR APPLIANCE

Thank you for purchasing a Barbecue appliance! We are sure it will bring you lots of happy barbecue moments.

To optimize your experience, register your appliance at www.barbecue.com. It takes only a few minutes and yields some major benefits:

- You get access to our personalized after sales service. This allows you, for example, to quickly find spare parts for your appliance or to profit from an optimal warranty service.
- We can inform you about interesting product updates and direct you to the product information and specifications that are relevant for your appliance.



For more information about registering your appliance, refer to www.barbecue.com.



Barbecue respects your privacy. Your data will not be sold, distributed or shared with third parties.

2 ABOUT THIS MANUAL

This manual is composed of two parts:

- The first part is the part that you are reading now. It includes instructions for the assembly, use and maintenance of your appliance.
- The second part starts on page 379. It includes all kinds of illustrations (exploded views, assembly drawings...) of the appliances that are described in this manual.

3 IMPORTANT SAFETY INSTRUCTIONS

3.1 Read and follow the instructions

Read the instructions before using the appliance. Always follow the instructions carefully. Assembling or using the appliance differently can cause fires and material damage.



Damages caused by not following the instructions (improper assembly, misuse, inadequate maintenance...) are not covered by the warranty.

3.2 Be cautious with gas

Working with gas is perfectly safe, but requires some extra caution:

- Always store gas cylinders outdoors, in a well-ventilated area. Make sure they are not exposed to excessive heat or direct sunlight.
- Never store your gas cylinder or spare gas cylinder in the cabinet of your appliance.
- While in use, put your gas cylinder in the cylinder cart at the side of the appliance.
- Never store your spare gas cylinder near a gas appliance in use.
- Always turn off the gas supply at the gas cylinder after use.
- Never smoke near a gas appliance in use or near a gas cylinder (full/empty).



If you smell gas, immediately close the gas supply, extinguish all flames and open the lid of the appliance. If the smell lasts, call your gas supplier or the fire department.

3.3 Select an appropriate location

Use the appliance outdoors only. Using it indoors, even in a garage or shed, can cause carbon monoxide poisoning.

When selecting an outdoor location, always:

- Place the appliance at least three meters away from any building, in an open and well-ventilated area.
- Make sure there is a free air flow to the burners and the vent holes in the cabinet at all times.
- Make sure the appliance is not under an overhanging structure (a porch, a shelter...) or under foliage.
- Put the appliance on a firm and stable surface. Never put it on a moving vehicle (a boat, a trailer...).

3.4 Use your common sense

Always use your common sense when using the appliance:

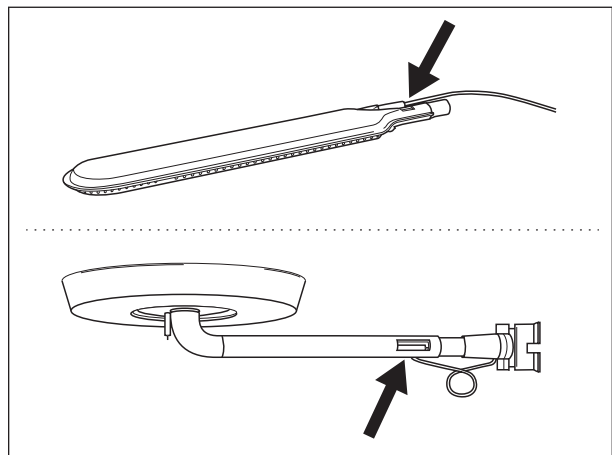
- Use outdoors only.
- Do not move the appliance during use.
- Do not leave the appliance unattended during use, especially in the presence of children and animals.
- **WARNING!** Some accessible parts may become very hot. Keep young children away.
- Use appropriate protection when handling hot parts (lid, grill...).
- The appliance must be kept away from flammable materials during use.
- Keep flammable materials, flammable liquids and dissolvable objects away from an appliance in use.
- Do not use wood, charcoal, lava rocks or ceramic briquettes on a gas appliance.
- Do not use the appliance when you have consumed alcohol or taken drugs.
- Do not modify the appliance.

4 RECURRENT CONCEPTS

This part includes definitions of some less familiar concepts. These concepts are used in several topics of the manual.

4.1 Venturis

The venturis are the small tubes attached to the entrance of the burners. At the side of the venturis, there is a hole. This is visible on the main burners and on the side burner:



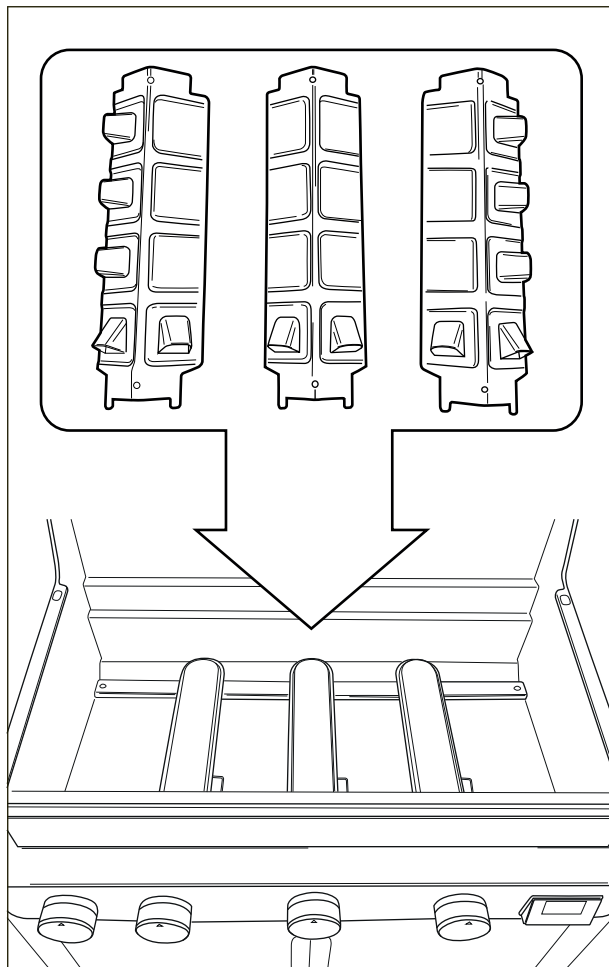
When the gas is on its way to the burners, it passes through the venturis. Thanks to the holes at the sides, the gas is then mixed with air and - as a result - with oxygen. This is necessary for a good ignition in the burners: only the correct mixture of gas and oxygen will ignite properly and will result in nice flames.

4.2 Burner hoods

The burner hoods are the hoods that you mount above the burners of your appliance. They protect the burners from dripping fat and play a crucial role in the Turbo Heating System. The roofed holes at the sides of the hoods distribute the heat over the grill, so it is heated much faster and more evenly.



Pay special attention to the burner hoods when assembling your appliance. The Turbo Heating System can only function properly if each hood is mounted above the correct burner.



4.3 Enamel

Some parts of the appliance are covered in a layer of melted glass, called enamel. This enamel protects the underlying metal from corrosion. Enamel is a high-quality material: it is resistant to rust, does not fade under the influence of high temperatures and is very easy to maintain.



Because the enamel is less flexible than the metal which it covers, pieces of enamel can chip off when you handle the appliance incorrectly. To avoid problems, be careful when assembling enamelled parts and always maintain the enamel as described further in this manual.

4.4 Flare-ups

Flare-ups are sudden flames that spark from the bowl when you are grilling. They are usually caused by dripping fat or marinade.

5 ASSEMBLING THE APPLIANCE

5.1 Safety instructions

- Do not modify the appliance when assembling it. It is very dangerous and not allowed to alter parts that are pre-assembled and/or sealed by the manufacturer.
- Always follow the assembly instructions carefully.
- The user is responsible for the correct assembly of the appliance. Damages caused by improper assembly are not covered by the warranty.

5.2 To assemble the appliance

You need a cross-slotted screwdriver, a flat-slotted screwdriver and an AA battery (electrical igniter). If your appliance comes with a spit burner, you also need two D batteries (spit burner engine). There are no batteries supplied with the appliance.

- 1 Put the appliance on a flat and clean surface.
- 2 Assemble the appliance as shown on the assembly drawings. You find them in the second part of this manual, after the exploded view of your appliance.



Be careful when assembling enamelled parts. The tools and screws may damage the enamel. Use the provided fiber washers to protect the enamel around the screws.



The blister packs can contain more screws than necessary. Screws can be left over after the assembly.

6 CONNECTING GAS TO THE APPLIANCE

6.1 Which cylinder, hose and regulator?

Before you can connect gas to the appliance, you have to buy a gas cylinder, hose and pressure regulator. Always buy materials that comply with all national standards and with the gas type(s) and nominal pressure(s) mentioned on the appliance.

The table below shows you which cylinder, hose and regulator you have to use. In Belgium (BE), for example, you have to use a propane cylinder with a hose and regulator for 37 mbar or a butane cylinder with a hose and regulator for 28-30 mbar.

Country	Cylinder, hose and regulator
DK, GR, NO, SE, EE, LT, LV, CZ, PL, MT, HU, SI, SK	Propane, 30 mbar / Butane, 30 mbar
ES, GB, IE, PT, BE, FR, LU, IT	Propane, 37 mbar / Butane, 28-30 mbar
NL	Propane, 30 or 50 mbar / Butane, 30 mbar
CY	Propane, 30 or 37 mbar / Butane, 28-30 mbar



We recommend connecting the appliance to propane. Propane offers a high-quality combustion and is less sensitive to frost.



Buy your pressure regulator and gas cylinder together. Not all regulators fit all cylinders.


6.2 Safety instructions

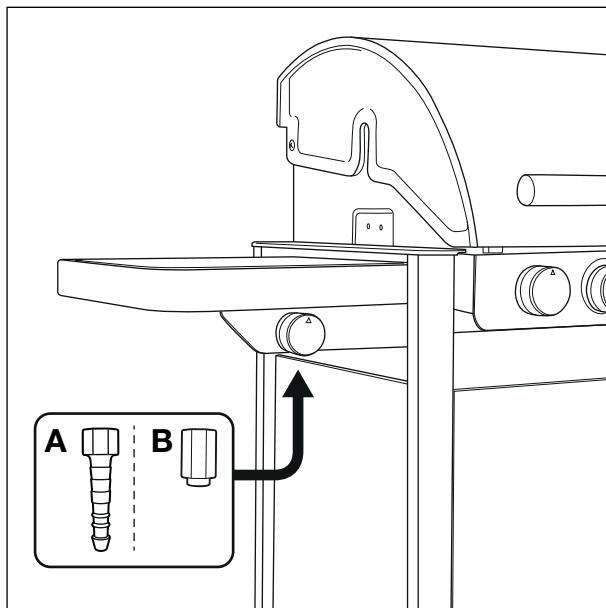
- Never connect the cylinder directly to the appliance. Always mount a pressure regulator on the cylinder first.
- Never modify pre-assembled or sealed parts of the cylinder, the hose or the pressure regulator.
- Keep the hose as short as possible (500 to 650 mm maximum) to prevent it from dragging on the ground.
- While connecting the cylinder, hose and pressure regulator:
 - Never distort the hose.
 - Always keep the cylinder in an upright position.
 - Never open the gas supply.
- Check for leaks each time you make changes to the gas connection. See "7 Checking for gas leaks".

6.3 Connecting the hose to the appliance

To connect the gas hose to the appliance, you have to mount a coupling on the gas tube of the appliance. The appliance comes with two couplings, both intended for particular countries:

Country	Coupling
BE, CH, CZ, DK, ES, FI, GB, IE, IT, PT, SI	Coupling A
FR	Coupling B

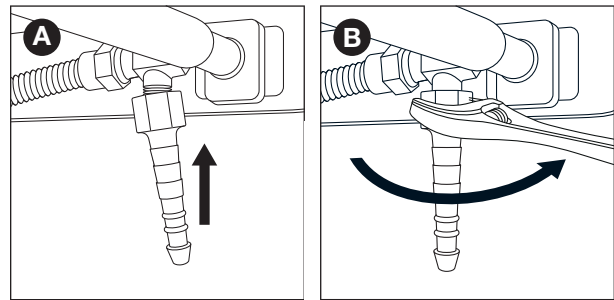
 If your country is not in the table, use the coupling that complies with your national standards.



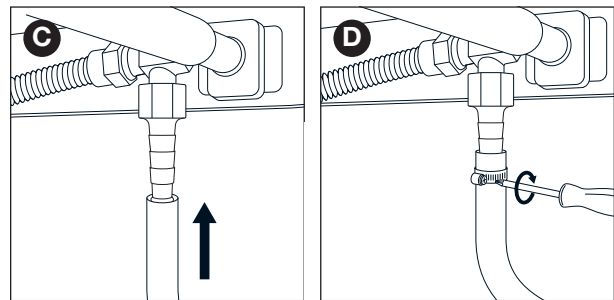
6.3.1 COUPLING A

You need a 19 mm spanner and a cross-slotted screwdriver.

- 1 Screw the coupling on the gas tube of the appliance (A) and tighten it with a 19 mm spanner (B).



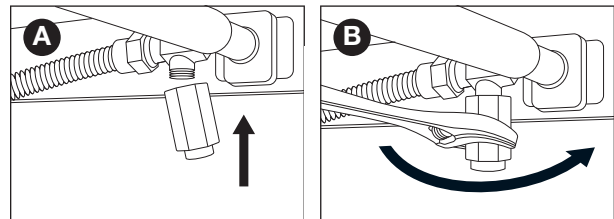
- 2 Slide the hose over the coupling (C) and tighten the clamping ring with a cross-slotted screwdriver (D).



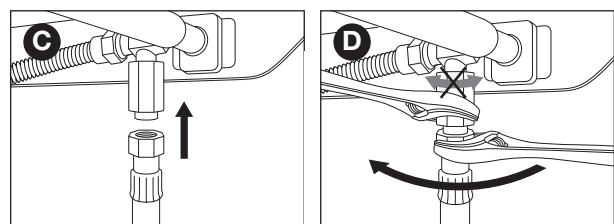
6.3.2 COUPLING B

You need a 22 mm spanner and an adjustable spanner.

- 1 Screw the coupling on the gas tube of the appliance (A) and tighten it with a 22 mm spanner (B).



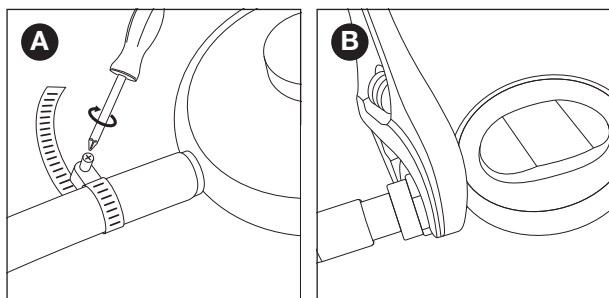
- 2 Screw the gas hose on the coupling (C) and tighten it with two spanners. Hold the coupling with a 22 mm spanner, while turning the hose with an adjustable spanner (D).



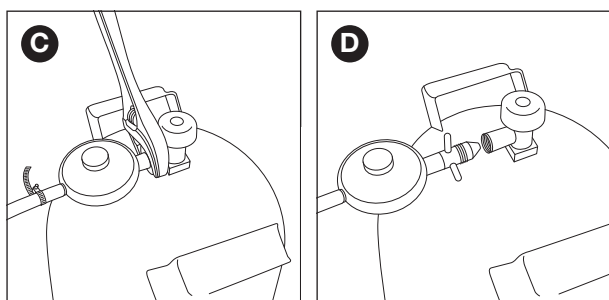
6.4 Connecting the hose and cylinder to the regulator

Depending on the type of pressure regulator you use, you need a cross-slotted screwdriver and/or an adjustable spanner.

- 1 Connect the hose to the pressure regulator. Do one of the following:
 - If the hose has a clamping ring, slide the hose over the regulator and tighten the clamping ring with a cross-slotted screwdriver (A).
 - If the hose has a nut, screw the hose on the regulator and tighten the nut with an adjustable spanner (B).



- 2 Connect the pressure regulator to the gas cylinder. Do one of the following:
 - If the regulator has a nut, screw the regulator clockwise on the cylinder and tighten the nut with an adjustable spanner (C).
 - If the regulator has a screw thread, screw the regulator counter-clockwise on the cylinder (D).



6.5 Replacing the cylinder

- 1 Close the gas supply and set all control knobs to OFF.
- 2 Disconnect the empty cylinder and connect the full cylinder.
- 3 Check the cylinder, the hose and all gas connections for leaks. See "7 Checking for gas leaks".


7 CHECKING FOR GAS LEAKS

7.1 Why check for gas leaks?

Propane and butane are heavier than air. As a result, they do not float away when leaking from the appliance. Especially on windless days, a leak can cause the gas to collect in and around the appliance. That accumulated gas can then ignite and explode.

7.2 When check for gas leaks?

- Before the first use or before the first use after a long period of non-use.

 Also check for gas leaks if your appliance was assembled by your dealer.

- Each time you replace a gas component.
- At least once a year, preferably at the beginning of the season.

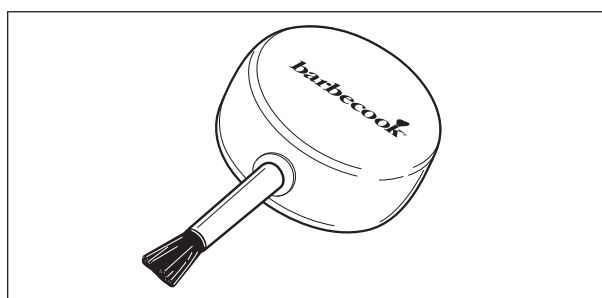
7.3 Safety instructions

- Put the appliance outdoors, in a well-ventilated area. Make sure there are no flames or heat sources near the appliance.
- Never use a lighter or match to check for gas leaks.
- Do not smoke and do not light the burners when checking for gas leaks.

7.4 Which materials do I need?

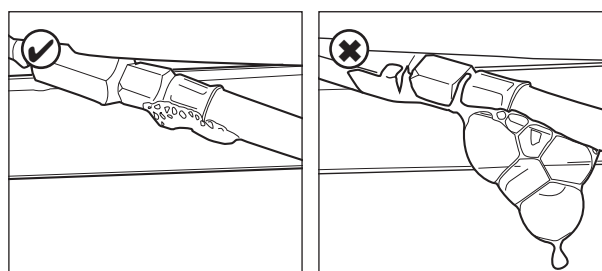
To check for gas leaks, you need:

- A testing liquid. You can use a ready-made leak spray or a mixture of water (50%) and dish-washing soap (50%).
- The leak test tool that came with your appliance. You use it to suck up the testing liquid and apply it to the gas component or connection that you want to check.



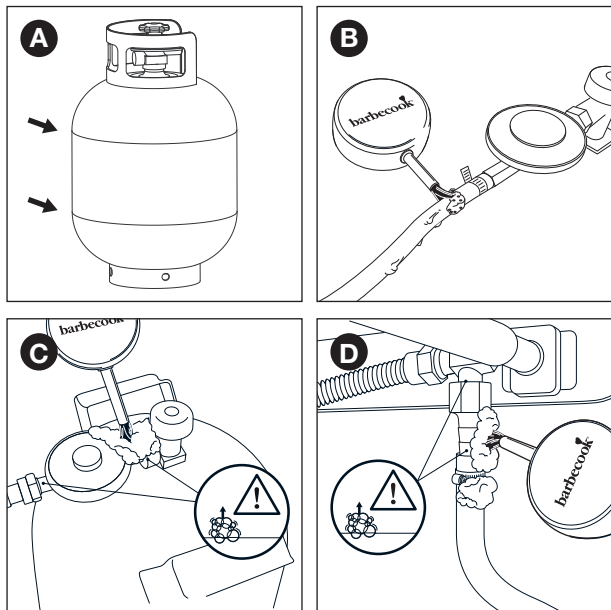
7.5 To check for gas leaks

You check for gas leaks by applying a testing liquid to all gas components and connections. If the bubbles on a particular component or connection grow, there is gas leak:



To check for gas leaks, proceed as follows:

- 1 Put the appliance outside.
- 2 Get your leak test tool and testing liquid (leak spray or water/soap mixture).
- 3 Open the lid and set all control knobs to OFF.
- 4 Open the gas supply slightly. Turn the valve of the gas cylinder only once.
- 5 Suck up some testing liquid with the leak test tool and apply it to the area that you want to check. You have to check:
 - The welds of the gas cylinder (A)
 - The hose (B)
 - The connections between the cylinder and the pressure regulator and between the pressure regulator and the hose (C)
 - The connection between the hose and the appliance (D)



i Your pressure regulator and coupling may be different from the ones in the illustrations.

- 6 Do one of the following:
 - If you detect a leak, continue as described in “In case of a gas leak”.
 - If there are no leaks, close the gas supply, rinse all components thoroughly with water and dry them well.

7.6 In case of a gas leak

- 1 Close the gas supply and do one of the following:
 - If you detected a leak on one of the connections, tighten that connection.
 - If you detected a leak on the cylinder or hose, replace the cylinder or hose.
- 2 Recheck the connection or component on which you detected the leak.
- 3 If the leak is not repaired, contact a Barbecook dealer. Do not use the appliance until the leak is repaired.

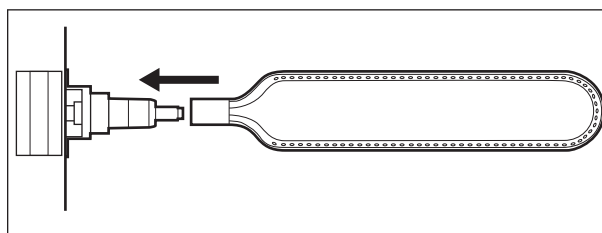
💡 For a list of nearby Barbecook dealers, refer to www.barbecook.com.

8 GETTING THE APPLIANCE READY FOR USE

8.1 Before each use

Each time you use the appliance, make sure that:

- The appliance is in an appropriate location. See “3.3 Select an appropriate location”.
- The gas hose does not drag on the ground and cannot come into contact with a hot surface or with dripping fat.
- The bowl is clean. We recommend putting a new Leaf® in the bowl before each use. See “11.2 Cleaning the bowl”.
- The burners and venturis are not blocked by insect nests or spider webs. See “11.3 Cleaning the burners and venturis”.
- The appliance is assembled correctly. Pay special attention to:
 - The burner hoods. Each hood has to be placed above the correct burner. See “4.2 Burner hoods”.
 - The venturis of the burners. They have to be placed over the openings of the gas valves.



💡 If you want to be absolutely sure that your gas connection is okay, you can check your appliance on gas leaks before each use. See “7 Checking for gas leaks”.

8.2 Before first use (in a long time)

If you use the appliance for the first time or for the first time after a long period of non-use, you have to execute some extra checks:

- Make sure that you have read, understood and checked all the instructions in this manual (only before first use).
- Check the appliance for gas leaks. See “7 Checking for gas leaks”.

⚠️ Also check for gas leaks if your appliance was assembled by your dealer.

- Clean the burners and venturis (only before first use in a long time). See “11.3 Cleaning the burners and venturis”.
- Burn in the appliance before you put any food on it (only before first use). See “8.3 Burning in the appliance”.

8.3 Burning in the appliance

By burning in the appliance before the first use, you remove remaining manufacturing greases from the appliance. Proceed as follows:

- 1 Light the main burners and set their control knobs to HIGH. See “9.2 Lighting the main burners”.
- 2 Close the lid and let the appliance burn for 15 minutes. Do not put any food on the grill yet.
- 3 After 15 minutes, open the lid and let the appliance burn for another 5 minutes (control knobs still set to HIGH).
- 4 After 5 minutes, the appliance is ready for use. You can now put food on the grill.

9 LIGHTING THE BURNERS

i To light the burners with the electrical igniter, you have to install an AA battery in the igniter. That battery is not supplied with the appliance. You find the battery case of the igniter inside the cabinet of your appliance.

9.1 Safety instructions

- Before you light the appliance, execute all checks listed in "8 Getting the appliance ready for use".
- Make sure the lid is always open when you light a burner.
- Never bend directly over a burner when lighting it.

9.2 Lighting the main burners

9.2.1 USING THE IGNITER

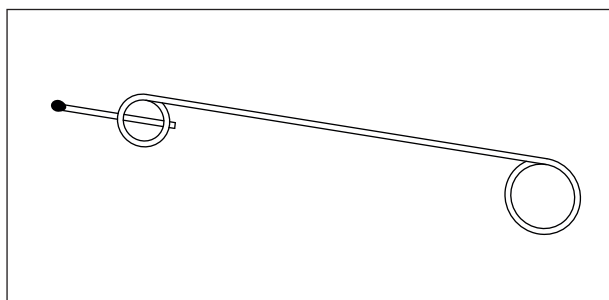
- 1 Open the lid and set the control knobs of the main burners to OFF.
- 2 If no other burner is lit yet, open the gas supply and wait ten seconds. This allows the gas to stabilize.
- 3 Push in the control knob of one burner, set it to HIGH and hold it for a moment. The build-in igniter will cause sparks, which will light the burner.

! Always light one main burner to start with. Never light all main burners at the same time.

- 4 If the burner does not light after three attempts, set its control knob to OFF, close the gas supply and wait 5 minutes. This allows any accumulated gas to escape.
- 5 Retry lighting the burner. If it still does not light, try lighting it with a match or refer to "14 Troubleshooting" to determine the cause of the problem.

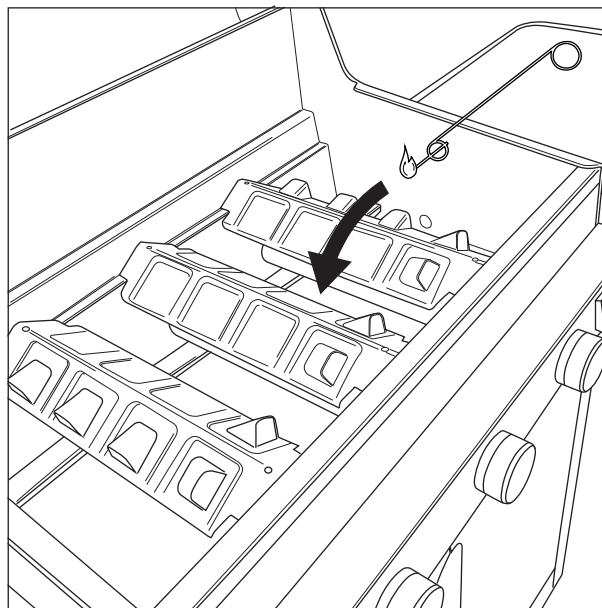
9.2.2 USING A MATCH

- 1 Place a match in the match holder.



- 2 Open the lid and set the control knobs of the main burners to OFF.
- 3 If no other burner is lit yet, open the gas supply and wait ten seconds. This allows the gas to stabilize.

- 4 Light the match and hold it about 13 mm from the burner.



- 5 Set the control knob of one burner to HIGH.

! Always light one main burner to start with. Never light all main burners at the same time.

- 6 If the burner does not light within 5 seconds, set its control knob to OFF, close the gas supply and wait 5 minutes. This allows any accumulated gas to escape.
- 7 Retry lighting the burner. If it still does not light, refer to "14 Troubleshooting" to determine the cause of the problem.

9.3 Lighting the side burner

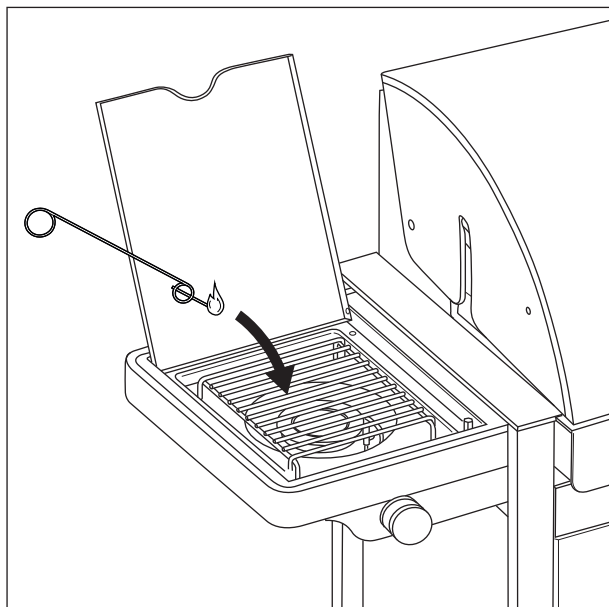
! The side burner can only carry vessels with a maximum weight of 9 kg and a maximum diameter of 220 mm.

9.3.1 USING THE IGNITER

- 1 Open the lid and set the control knob of the side burner to OFF.
- 2 If no other burner is lit yet, open the gas supply and wait ten seconds. This allows the gas to stabilize.
- 3 Push in the control knob of the side burner, set it to HIGH and hold it for a moment. The build-in igniter will cause sparks, which will light the side burner.
- 4 If the burner does not light after three attempts, set its control knob to OFF, close the gas supply and wait 5 minutes. This allows any accumulated gas to escape.
- 5 Retry lighting the side burner. If it still does not light, try lighting it with a match or refer to "14 Troubleshooting" to determine the cause of the problem.

9.3.2 USING A MATCH

- 1 Place a match in the match holder.
- 2 Open the lid and set the control knob of the side burner to OFF.
- 3 If no other burner is lit yet, open the gas supply and wait ten seconds. This allows the gas to stabilize.
- 4 Light the match and hold it about 13 mm from the side burner.



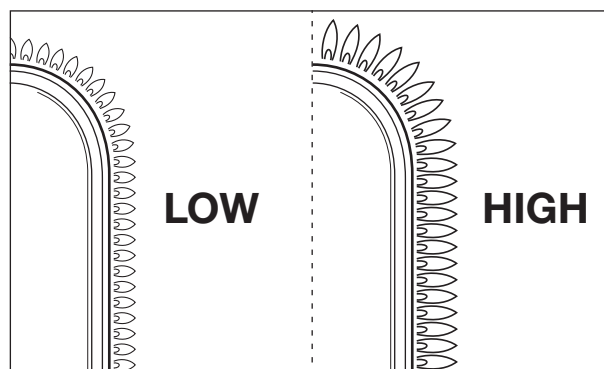
- 5 Set the control knob of the side burner to HIGH.
- 6 If the side burner does not light within 5 seconds, set its control knob to OFF, close the gas supply and wait 5 minutes. This allows any accumulated gas to escape.
- 7 Retry lighting the side burner. If it still does not light, refer to "14 Troubleshooting" to determine the cause of the problem.

9.6 Checking the flames

Each time you light a burner, you have to check its flames. A perfect flame is almost completely blue, with some yellow at the top. Sporadic yellow flames are normal and not harmful.

If there is something wrong with the flames, do one of the following to solve the problem:

If the flames are...	Do the following...
Low and entirely yellow	<ol style="list-style-type: none">1 Immediately close the gas supply and set all control knobs to OFF.2 Refer to "14 Troubleshooting" to determine the cause of the problem. Most likely, the venturis are blocked.
Higher than the bowl	<ol style="list-style-type: none">1 Immediately close the gas supply and set all control knobs to OFF.2 Wait 5 minutes to allow any accumulated gas to escape.3 Relight the burner(s).4 If the problem persists, refer to "14 Troubleshooting" to determine the cause of the problem.



9.4 Switching the burners off

If you no longer use the burners, you have to switch them off.

Proceed as follows:

- 1 Close the gas supply.
- 2 Set the control knobs of the burners to OFF.



By closing the gas supply first, you make sure there is no gas left in the appliance.

9.5 Relighting the burners

If a burner goes out while in use, proceed as follows:

- 1 Open the lid and close the gas supply.
- 2 Set all control knobs to OFF and wait 5 minutes. This allows any accumulated gas to escape.
- 3 Relight the burner(s).

10 USEFUL TIPS AND TRICKS

10.1 Preheating the appliance

By preheating your appliance, you make sure the grill is hot enough by the time you put food on it. Proceed as follows:

- 1 Light the burner(s) and set their control knob(s) to HIGH.
- 2 Close the lid and leave the appliance for ten minutes.
- 3 After ten minutes, open the lid and put your food on the grill.
- 4 If you need less heat now, set the control knob(s) to a lower position.

10.2 Preventing food from sticking


To prevent your food from sticking to the grill:

- Oil the food lightly with a brush before you put it on the grill. You can also oil the grill itself.
- Preheat the appliance. The warmer the grill when you put food on it, the less the food will stick.
- Do not turn the food too quickly. Let it catch some heat first.

10.3 Direct and indirect grilling

Depending on the type of food you are preparing and on how you want to prepare it, you can grill directly or indirectly:


Method	Description	Use
Direct	Put your food directly above a lit burner, set that burner to a high position and keep the lid open.	To sear meat and vegetables
Indirect	Put your food next to a lit burner, set that burner to a medium/low position and close the lid.	To further cook seared meat

 When grilling under a closed lid, always keep an eye on the lid thermometer to make sure the appliance does not get too hot. See "10.5 Watching the temperature".

10.4 Grilling with closed lid

Closing the lid while grilling has some important advantages:


- The temperature of the grill is higher and remains more constant.
- You reduce the cooking time of your food and keep your food more moist.
- You reduce flare-ups and save gas.

 When grilling under a closed lid, always keep an eye on the lid thermometer to make sure the appliance does not get too hot. See "10.5 Watching the temperature".

10.5 Watching the temperature

Your appliance is equipped with powerful burners, so it heats up rapidly and you can keep the temperature steady. When grilling under a closed lid, however, you have to make sure that the appliance does not get too hot. Keep an eye on the lid thermometer and take into account the following guidelines:

- A normal cooking temperature is about 210 °C. At higher temperatures, dripping and accumulated fat can ignite.
- The temperature should never be over 300 °C for more than five minutes. This can damage and deform the appliance.

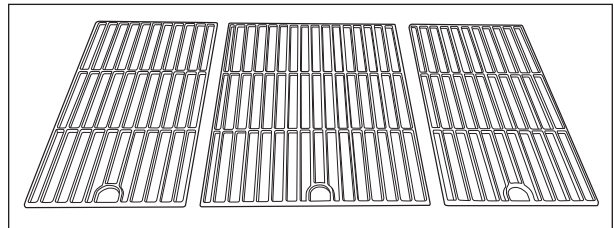
 If the appliance gets too hot, cool it down by opening the lid and setting the burners to a lower position.

10.6 Making optimal use of the heat

The central part of the bowl is hotter than the sides. To allow you to use that hottest part to its full potential, the appliance is equipped with grills of different sizes. It comes with:

- One large grill, to be placed in the centre of the bowl.
- Two smaller grills, to be placed at the sides of the bowl.


If you place the grills correctly in the bowl and light all the burners, the entire central grill will be heated to the maximum. Like that, you expand the hottest part of the bowl and you can make optimal use of the grill surface of your appliance.



10.7 Taking advantage of the heat zones

When all burners are lit, the burner hoods distribute the heat as evenly as possible over the grill. Despite this even heating, some zones are still hotter than others. You can take advantage of these heat zones to grill your food to perfection:

Zone	Hot?	Use to...
Front	Hot	Grill delicate food (prawns, fish...)
Centre	Hotter	Prepare food that needs some time to cook (e.g. sausages, chicken ties...)
Back	Hottest	Sear meat and vegetables

 You can also create heat zones by playing with the power of the burners. You can, for example, set a burner to a lower position and use the zone above that burner for delicate food or food that needs some time to cook.

10.8 Avoiding flare-ups

During grilling, some flare-ups are normal. Too many flare-ups, however, increase the temperature in the appliance and can ignite accumulated fat. To avoid flare-ups:


- Make sure the bowl is clean when you start grilling. We recommend putting a Leaf® in the bowl before each use. See "11.2 Cleaning the bowl".
- Regularly check if the fat drain hole is not blocked and if the fat drip tray or cup is not full yet.
- When grilling fatty meat, trim excess fat, close the lid and set the burners to a medium or low position.

11 MAINTAINING THE APPLIANCE

11.1 Cleaning the grill


We recommend cleaning the grill after each use, with the Barbecue cleaner. Proceed as follows:

- 1 Spray the foam on the grill and let it act for a while.
The foam discolours, as it soaks off the dirt and greases.
- 2 Remove the foam with a soft sponge and water and rinse the grill thoroughly.
- 3 Dry the grill well and store it in a dry place. This prevents formation of rust.

 You can also clean the grill with a soft detergent or with sodium bicarbonate. Never use oven cleaners on the grill.

11.2 Cleaning the bowl

We recommend cleaning the bowl after each use. The easiest way to do this is by putting a Leaf® in the bowl before you start grilling. The Leaf® is a foil that fits the bowl perfectly and that catches all residues and greases. When the appliance cooled down, just remove the Leaf® and the bowl is clean.

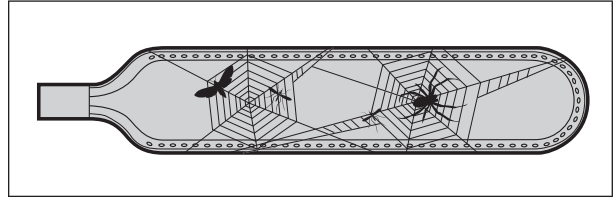
 Register your appliance at www.barbecue.com to find out which type of Leaf® you need.


11.3 Cleaning the burners and venturis

11.3.1 WHY CLEAN THE BURNERS AND VENTURIS?

Spiders and insects can make webs and nests in the burners and venturis. This may block the gas supply to the burners. As a result:

- You cannot light the burners. If you manage to light them anyway, they will only produce smoky and yellow flames.
- The gas can start burning outside the venturis, at the control knobs. These fires are called flash-backs and can result in serious injuries and material damage.



 Damages caused by blocked burners and venturis are regarded as inadequate maintenance and are not covered by the warranty.

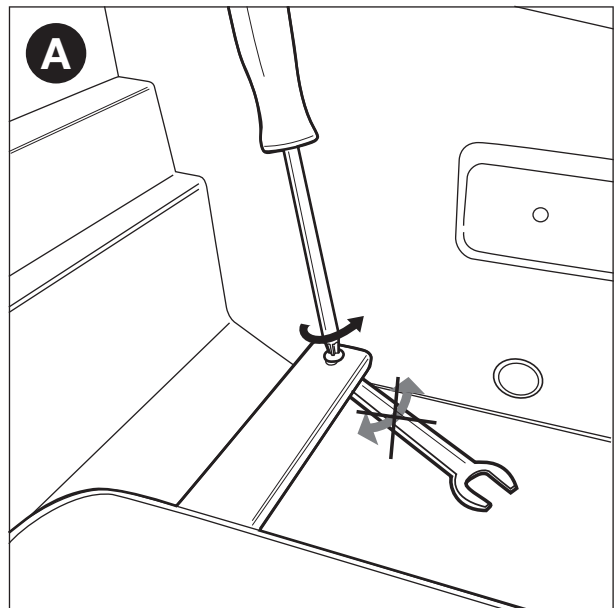
11.3.2 WHEN CLEAN THE BURNERS AND VENTURIS?

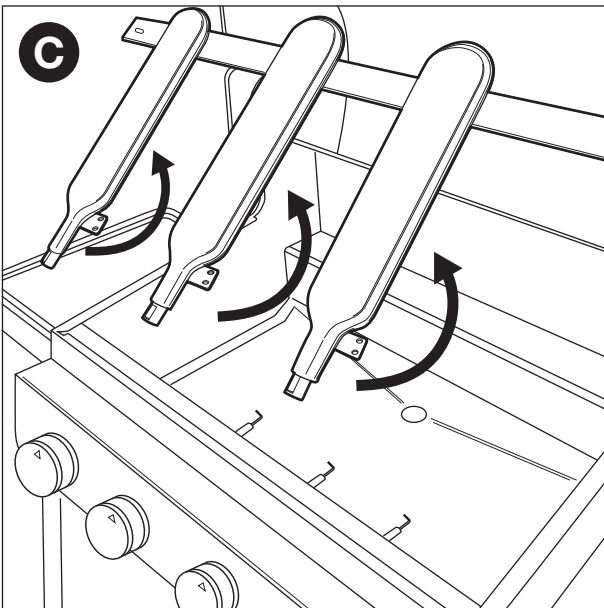
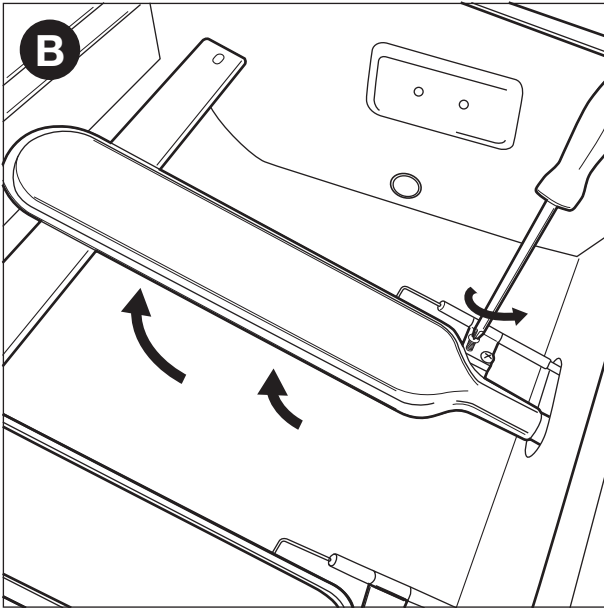
You have to clean the burners and venturis of your appliance:

- Before the first use after a long period of non-use.
- At least twice a year, of which once at the beginning of the season.

11.3.3 TO CLEAN THE BURNERS AND VENTURIS

- 1 Remove the burners from the appliance as shown on the illustrations. If you notice that a burner is damaged, you have to replace it.





- 2 Clean the burners and venturis with a small brush or a homemade pipe cleaner (an unfolded paperclip, a pipe brush...).
- 3 Put the burners back. Make sure to place the venturis over the openings of the gas valves.

11.4 Maintaining enamel, stainless steel and powder coated parts

The appliance is composed of enamelled, stainless steel and powder coated parts. Each material has to be maintained differently:

Material	How to maintain this material
Enamel	<ul style="list-style-type: none"> • Do not use sharp objects and do not knock against a hard surface. • Avoid contact with cold liquids while still hot. • You can use metal sponges and abrasive detergents.

Material	How to maintain this material
Stainless steel	<ul style="list-style-type: none"> • Do not use aggressive, abrasive or metal detergents. • Use soft detergents and let them act on the steel. • Use a soft sponge or cloth. • Rinse thoroughly after cleaning and dry well before storing.
Powder coated	<ul style="list-style-type: none"> • Do not use sharp objects. Use soft detergents and a soft sponge or cloth. • Rinse thoroughly after cleaning and dry well before storing.



To prevent formation of rust on stainless steel, avoid contact with chlorine, salt and iron. We recommend not using the appliance near the coast, near railways or near swimming pools.



Damages caused by not following these instructions are regarded as inadequate maintenance and are not covered by the warranty.

Below the exploded view of your appliance (second part of the manual), you find a list with all parts of which the appliance is composed. This list includes a symbol that specifies the material of each part, so you can use it to check how you have to maintain a particular part. The parts list uses the following symbols:

Symbol	Material
●	Enamel
■	Stainless steel
★	Powder coated

11.5 Storing the appliance

If you do not use your appliance for a longer period of time, store it in a dry place. Before you store the appliance:

- Disconnect the gas cylinder. Never store your appliance indoors (not even in a garage or shed) as long as it is connected to the gas cylinder.
- Clean the burners and the grills, rub them with oil and wrap them in paper.
- If your appliance is equipped with a spit burner, remove the spit burner engine and store it in a dry place.
- Cover your appliance with a Barbecue cover. Register your appliance at www.barbecue.com to find out which cover you need.

11.6 Storing gas cylinders

These instructions apply to both empty and full gas cylinders.

- Always store gas cylinders outdoors, in a well-ventilated area. Make sure they are not exposed to excessive heat or direct sunlight.
- Never store a gas cylinder in an area that can become very hot (in a car, on a boat...).
- Never store your gas cylinder or spare gas cylinder in the cabinet of your appliance.
- Never store your spare gas cylinder near a gas appliance in use.
- Always store gas cylinders outside the reach of children.
- Always store and transport gas cylinders in upright position.

11.7 Ordering spare parts

Parts that are directly exposed to fire or intense heat have to be replaced from time to time. To order a spare part:

- 1 Look up the reference number of the part you need. You find a list of all reference numbers below the exploded views in the second part of this manual and on www.barbecook.com.



If you registered your appliance online, you will automatically be guided to the correct list.

- 2 Order the spare part at your point of sale. You can order parts both under and outside warranty.

12 WARRANTY

12.1 Covered

Your appliance comes with a warranty of two years, starting from the date of purchase. This warranty covers all manufacturing defects, provided that:

- You used, assembled and maintained your appliance according to the instructions in this manual. Damages caused by misuse, incorrect assembly or inadequate maintenance are not regarded as manufacturing defects.
- You can present the receipt and the unique serial number of your appliance. This serial number starts with a G, followed by 15 digits. You can find it:
 - On this manual and on the starter pack that included the manual.
 - On the packaging of the appliance.
 - On the type label on the inside of the cabinet door.
- The Barbecook quality department confirms that the parts are defective and that they proved defective under normal use, correct assembly and adequate maintenance.

If one of the above conditions is not met, you cannot claim any form of contribution. In all cases, the warranty is limited to the repair or replacement of the defective part(s).

12.2 Not covered

The following damages and defects are not covered by the warranty:

- Normal wear and tear (rusting, distortion, discolouration...) of parts that are directly exposed to fire or intense heat. It is normal to replace these parts from time to time.
- Visual irregularities that are inherent to the manufacturing process. These irregularities are not regarded as manufacturing defects.
- All damages caused by inadequate maintenance, incorrect storage, improper assembly or modifications made to pre-assembled parts.
- All damages caused by misuse and abuse of the appliance (not using it according to the instructions in this manual, using it for commercial purposes...).
- All consequential damages caused by careless or non-compliant use of the appliance.
- Rust or discolouration caused by external influences, the use of aggressive detergents, exposure to chlorine... These damages are not regarded as manufacturing defects.

13 TECHNICAL SPECIFICATIONS

13.1 Type label

The type label lists all the technical specifications of your appliance. You can find it:

- In the second part of this manual.
- On the inside of the cabinet door.

13.2 Injector diameters

- Main burner: 0,991 mm
- Side burner: 0,88 mm

14 TROUBLESHOOTING

Problem	Probable cause(s)	Solution(s)
Not enough heat	<ul style="list-style-type: none"> Gas supply not open Venturis not placed over openings of gas valves Burner openings blocked Gas cylinder (almost) empty Pressure regulator not connected correctly to cylinder and/or hose 	<ul style="list-style-type: none"> Open gas supply Place venturis over openings of gas valves Clean burner openings or replace burners Replace gas cylinder Reconnect pressure regulator to cylinder and/or hose
Excessive heat and/or flare-ups	<ul style="list-style-type: none"> Food too fatty Fat drain hole blocked, fat in bowl and/or fat on burners Burner hoods not mounted correctly Temperature too high 	<ul style="list-style-type: none"> Trim excess fat or set burners to a low position Clean fat drain hole, bowl and burners Mount burner hoods correctly Set burners to a lower temperature and/or grill food indirectly
Heat not distributed evenly over grill surface	<p>Some heat differences are normal, see "11.6 Making optimal use of the heat" and "11.7 Taking advantage of the heat zones". Probable cause(s) for big heat differences:</p> <ul style="list-style-type: none"> Burners hoods not mounted correctly Appliance not preheated 	<ul style="list-style-type: none"> Mount burner hoods correctly Preheat appliance
Yellow flames	<ul style="list-style-type: none"> Burners or venturis blocked Salt on burners Appliance connected to butane 	<ul style="list-style-type: none"> Clean burners and venturis Clean burners Connect appliance to propane, using an appropriate pressure regulator
Incomplete flame	Burner blocked, pierced or rusted	Clean or replace burner
Flash-backs (flames outside venturis/at control knobs)	Burners or venturis blocked	<ol style="list-style-type: none"> 1 Close gas supply and set burners to OFF. 2 Let appliance cool down. 3 Clean burners and venturis.
Flames higher than edge of bowl	<ul style="list-style-type: none"> Lots of wind Gas cylinder (almost) empty Fat in bowl and/or on burners 	<ul style="list-style-type: none"> Put appliance with rear side towards wind Replace gas cylinder Clean bowl, clean burners and replace Leaf®
Pressure regulator hums	<ul style="list-style-type: none"> Hot weather New (full) gas cylinder 	Not a hazard or defect. Should stop automatically after a while.
Burner whistles when set to LOW	Gas injector, venturi and/or burner dirty	Clean gas injector, venturi and burner
Impossible to light burner (using either igniter or match)	<ul style="list-style-type: none"> Burner or venturi blocked No gas supply 	<ul style="list-style-type: none"> Clean burner and venturi Open gas supply and press safety knob on pressure regulator (not present on all regulators)
Impossible to light burner with igniter	<ul style="list-style-type: none"> No battery installed or battery not installed correctly Igniter wiring not mounted correctly Electrode damaged Faulty ground Faulty igniter 	<ul style="list-style-type: none"> (Re)install battery, with terminals positioned correctly Check and re-assemble all igniter connections Replace electrode Check and re-assemble electrodes, burners and igniter Replace igniter
No sparks nor sound when pressing igniter	<ul style="list-style-type: none"> No battery installed or battery not installed correctly Empty battery Igniter button not assembled correctly Faulty spark generator 	<ul style="list-style-type: none"> (Re)install battery, with terminals positioned correctly Replace battery Re-assemble igniter button Replace spark generator

NL - GEBRUIKSAANWIJZING

1	Uw barbecue registreren.....	22	10	Handige tips.....	30
2	Over deze handleiding	22		• De barbecue voorverwarmen.....	30
3	Belangrijke veiligheidsinstructies	22		• Voorkomen dat voedsel aankleeft.....	30
	• De instructies lezen en opvolgen	22		• Rechtstreeks en onrechtstreeks grillen	30
	• Voorzichtig omspringen met gas.....	22		• Grillen met gesloten deksel.....	30
	• Een geschikte locatie kiezen	22		• De temperatuur controleren	30
	• Uw gezond verstand gebruiken	22		• De warmte optimaal gebruiken	30
				• De warmtezones benutten	30
4	Terugkerende concepten	23		• Opflakkingen vermijden	30
	• Venturibuizen.....	23	11	De barbecue onderhouden	30
	• Branderkappen.....	23		• Het rooster reinigen.....	30
	• Email.....	23		• De kuip reinigen	31
	• Opflakkingen	23		• De branders en venturibuizen schoonmaken.....	31
5	De barbecue monteren	23		• Geëmailleerde, roestvaststalen, en gepoederlakte onderdelen onderhouden.....	32
	• Veiligheidsinstructies.....	23		• De barbecue opbergen	32
	• De barbecue monteren.....	24		• Gasflessen bewaren.....	32
6	De barbecue van gas voorzien.....	24		• Reserveonderdelen bestellen.....	32
	• Welke gasfles, slang en regelaar?	24	12	Garantie	33
	• Veiligheidsinstructies.....	24		• Gedekt.....	33
	• De slang aansluiten op de barbecue.....	24		• Niet gedekt.....	33
	• De slang en gasfles aansluiten op de regelaar.....	25	13	Technische gegevens	33
	• De gasfles vervangen	25		• Typelabel	33
7	Controleren op gaslekken	25		• Diameters van de injectoren.....	33
	• Waarom controleren op gaslekken?.....	25	14	Problemen oplossen	34
	• Wanneer controleren op gaslekken?.....	25			
	• Veiligheidsinstructies	25			
	• Welke materialen heb ik nodig?	26			
	• Controleren op gaslekken	26			
	• In geval van een gaslek	26			
8	De barbecue klaarmaken voor gebruik	26			
	• Voor elk gebruik.....	26			
	• Voor het eerste gebruik (of na een lange periode van ongebruik).....	27			
	• De barbecue inbranden.....	27			
9	De branders ontsteken.....	27			
	• Veiligheidsinstructies	27			
	• De hoofdbranders ontsteken.....	27			
	• De zijbrander ontsteken.....	28			
	• De branders uitschakelen.....	28			
	• De branders opnieuw ontsteken	28			
	• De vlammen controleren	29			

1 UW BARBECUE REGISTREREN

Bedankt voor uw aankoop van een Barbecook-barbecue! We wensen u veel barbecueplezier.

Om optimaal van uw barbecue te genieten, kunt u uw barbecue registreren op www.barbecook.com. Dit duurt slechts enkele minuten en biedt belangrijke voordelen:

- U kunt een beroep doen op onze gepersonaliseerde naverkoopdienst. Op die manier kunt u bijvoorbeeld snel reserveonderdelen voor uw barbecue vinden of genieten van een optimale garantieservice.
- Wij houden u op de hoogte van interessante productupdates en verwijzen u naar productinformatie en -specificaties die relevant zijn voor uw barbecue.



Voor meer informatie over het registreren van uw barbecue gaat u naar www.barbecook.com.



Barbecook respecteert uw privacy. Uw gegevens worden niet verkocht, verspreid of doorgegeven aan derden.

2 OVER DEZE HANDLEIDING

Deze handleiding bestaat uit twee delen:

- Het eerste deel is het deel dat u momenteel leest. Hier vindt u instructies om uw barbecue te monteren, te gebruiken en te onderhouden.
- Het tweede deel begint op pagina 379. Daarin vindt u diverse illustraties (explosietekeningen, montagetekeningen, typelabels) van de barbecues die in deze handleiding beschreven zijn.

3 BELANGRIJKE VEILIGHEIDSINSTRUCTIES

3.1 De instructies lezen en opvolgen

Lees de instructies voor u de barbecue in gebruik neemt. Volg de instructies altijd zorgvuldig. Als de barbecue op een andere wijze wordt gemonteerd of gebruikt, kan dit brand en materiële schade tot gevolg hebben.



Schade wegens het niet opvolgen van de instructies (verkeerde montage, misbruik, verkeerd onderhoud enz.) wordt niet gedekt door de garantie.

3.2 Voorzichtig omspringen met gas

Werken met gas is erg veilig, maar u dient enkele voorzorgsmaatregelen in acht te nemen:

- Bewaar gasflessen altijd buitenshuis in een goed geventileerde ruimte. Zorg ervoor dat de flessen niet blootgesteld worden aan hoge temperaturen of direct zonlicht.
- Bewaar uw gasfles of reservegasfles nooit in de kast van de barbecue.
- Plaats de gasfles tijdens het gebruik in de flessenwagen aan de zijkant van de barbecue.
- Bewaar uw reservegasfles nooit in de buurt van een toestel op gas dat in gebruik is.

- Draai na het gebruik altijd de gastoevoer aan de gasfles dicht.
- Rook nooit in de buurt van een toestel op gas dat in gebruik is of in de buurt van een gasfles (vol/leeg).



Als u gas ruikt, draait u onmiddellijk de gastoevoer dicht, dooft u alle vlammen en opent u het deksel van de barbecue. Als de geur aanhoudt, belt u naar uw gasleverancier of de brandweer.

3.3 Een geschikte locatie kiezen

Gebruik de barbecue alleen buitenshuis. Als u de barbecue binnenshuis gebruikt, zelfs in een garage of schuur, bestaat er gevaar voor vergiftiging door koolmonoxide.

Let op het volgende wanneer u een locatie kiest:

- Plaats de barbecue op minstens drie meter van een gebouw, op een open en goed geventileerde plaats.
- Zorg ervoor dat er altijd voldoende vrije lucht naar de branders en naar de ventilatiegaten in de kast kan stromen.
- Plaats de barbecue niet onder een overhangende structuur (veranda, afdak ...) of onder gebladerte.
- Plaats de barbecue op een stevige en stabiele ondergrond. Plaats de barbecue nooit op een bewegend voertuig (boot, oplegger ...).

3.4 Uw gezond verstand gebruiken

Gebruik steeds uw gezond verstand wanneer u de barbecue gebruikt:

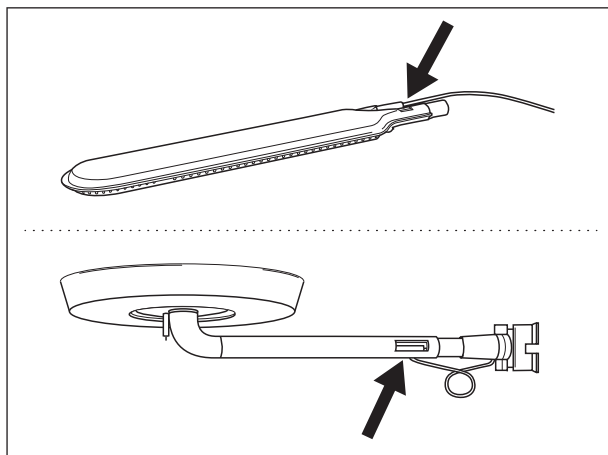
- Gebruik de barbecue alleen buitenshuis.
- Verplaats de barbecue niet tijdens het gebruik.
- Laat de barbecue niet alleen achter terwijl deze in gebruik is, en dit zeker niet als er kinderen of dieren aanwezig zijn.
- **WAARSCHUWING!** Sommige bereikbare delen kunnen erg heet worden. Houd jonge kinderen dus uit de buurt van de barbecue.
- Gebruik geschikte bescherming wanneer u hete onderdelen (deksel, rooster enz.) moet vastnemen.
- Houd de barbecue tijdens het gebruik uit de buurt van ontvlambare materialen.
- Houd brandbare materialen, brandbare vloeistoffen en oplosbare objecten op een veilige afstand van de barbecue wanneer deze in gebruik is.
- Gebruik geen hout, houtskool, lavastenen of keramische briketten in een gasbarbecue.
- Gebruik de barbecue niet als u alcohol hebt gedronken of drugs hebt gebruikt.
- Breng geen wijzigingen aan de barbecue aan.

4 TERUGKERENDE CONCEPTEN

Dit deel omvat definities van een aantal minder vertrouwde concepten. Deze concepten worden gebruikt in verschillende onderwerpen van de handleiding.

4.1 Venturibuizen

De venturibuizen zijn de kleine buizen die aan de ingang van de branders bevestigd zijn. Aan de zijkant van de venturibuizen is er een opening voorzien. Deze is zichtbaar op de hoofdbranders en op de zijbrander:



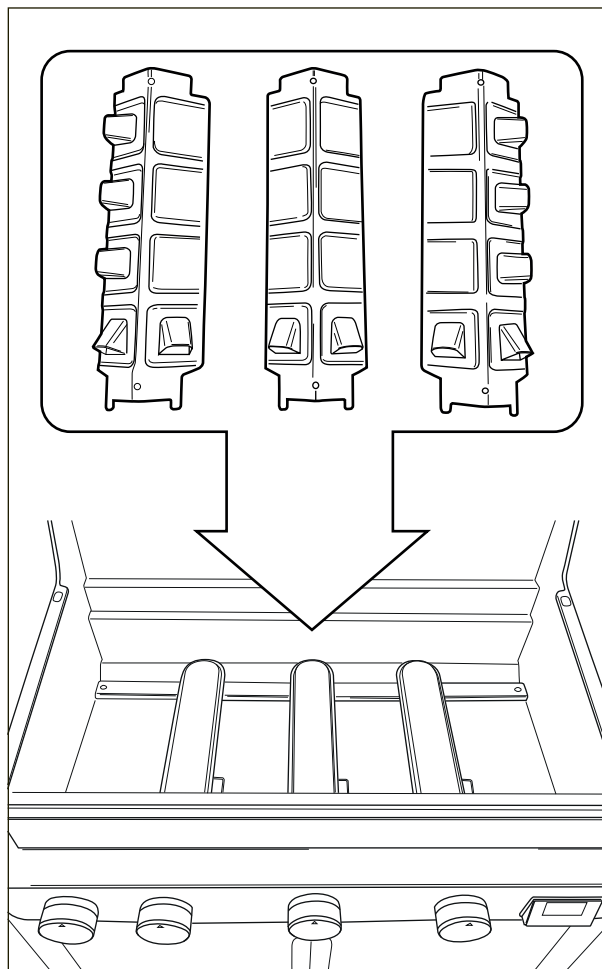
Op weg naar de branders passeert het gas door de venturibuizen. Via de openingen in de zijkanten wordt het gas gemengd met lucht, en dus ook met zuurstof. Dit is nodig voor een goede ontbranding in de branders: alleen een correct gas-zuurstofmengsel zal goed ontbranden en mooie vlammen opleveren.

4.2 Branderkappen

De branderkappen zijn de kappen die gemonteerd worden boven de branders van de barbecue. Ze beschermen de branders tegen druipend vet en spelen een cruciale rol bij gebruik van het Turbo Heating System. De overdekte openingen aan de zijkanten van de kappen verdelen de warmte over het rooster, zodat het veel sneller en gelijkmatiger opgewarmd wordt.



Besteed dus extra aandacht aan de branderkappen bij het monteren van de barbecue. Het Turbo Heating System werkt alleen correct als elke kap boven de juiste brander aangebracht is.



4.3 Email

Sommige delen van de barbecue zijn bekleed met een laag gesmolten glas, zogenaamd email. Dit email beschermt het onderliggende metaal tegen corrosie. Email is een kwaliteitsvol materiaal: het is bestand tegen roest, het verzwakt niet onder invloed van hoge temperaturen en het is zeer eenvoudig te onderhouden.



Omdat het email minder flexibel is dan het metaal waarop het is aangebracht, kunnen stukjes email loskomen wanneer u de barbecue niet correct gebruikt. Om problemen te vermijden, dient u voorzichtig te zijn wanneer u geëmailleerde onderdelen monteert en dient u het email altijd te onderhouden zoals beschreven in deze handleiding.

4.4 Opflakkingen

Opflakkingen zijn vlammen die plots uit de kuip springen tijdens het grillen. Ze worden meestal veroorzaakt door druipend vet of druipende marinade.

5 DE BARBECUE MONTEREN


5.1 Veiligheidsinstructies


- Breng geen wijzigingen aan de barbecue aan wanneer u deze in elkaar zet. Onderdelen die door de fabrikant werden voorgeassembleerd en/of afgedicht, mogen niet worden gewijzigd, want dit is zeer gevaarlijk.
- Volg de montage-instructies altijd zorgvuldig.
- De gebruiker is verantwoordelijk voor de correcte montage van de barbecue. Schade veroorzaakt door een foutieve montage wordt niet gedekt door de garantie.

5.2 De barbecue monteren

U hebt een kruisschroevendraaier, een platte schroevendraaier en een AA-batterij (elektrische ontsteker) nodig. Als uw barbecue uitgerust is met een spitbrander, hebt u daarnaast twee D-batterijen (motor spitbrander) nodig. Er zijn geen batterijen bij de barbecue geleverd.

- 1 Plaats de barbecue op een effen en schone ondergrond.
- 2 Monteer de barbecue zoals aangegeven in de montagetekeningen. U vindt deze in het tweede deel van deze handleiding, na de explosietekening van uw barbecue.

 Wees voorzichtig bij het monteren van emailonderdelen. Het gereedschap en de schroeven kunnen het email beschadigen. Gebruik de bijgeleverde vezelringen om het email rond de schroeven te beschermen.

 Het is mogelijk dat de blisterverpakkingen meer schroeven dan nodig bevatten, en dat er dus schroeven overblijven na de montage.


6 DE BARBECUE VAN GAS VOORZIEN


6.1 Welke gasfles, slang en regelaar?

Voor u de barbecue van gas kunt voorzien, moet u eerst een gasfles, een slang en een drukregelaar kopen. Koop steeds materialen die beantwoorden aan alle nationale richtlijnen en aan de gastypes en nominale drukwaarden die op de barbecue vermeld staan.

In de onderstaande tabel ziet u welke gasfles, slang en regelaar u moet gebruiken. In België (BE) moet u bijvoorbeeld een propaanfles gebruiken met een slang en regelaar voor 37 mbar, of een butaanfles met een slang en regelaar voor 28-30 mbar.

Land	Gasfles, slang en regelaar
DK, GR, NO, SE, EE, LT, LV, CZ, PL, MT, HU, SI, SK	Propaan, 30 mbar / butaan, 30 mbar
ES, GB, IE, PT, BE, FR, LU, IT	Propaan, 37 mbar / butaan, 28-30 mbar
NL	Propaan, 30 of 50 mbar / butaan, 30 mbar
CY	Propaan, 30 of 37 mbar / butaan, 28-30 mbar

 Wij raden u aan propaan te gebruiken voor de barbecue. Propaan levert een kwaliteitsvolle verbranding en is minder vorstgevoelig.

 Koop uw drukregelaar en gasfles altijd samen. Niet alle regelaars passen op alle gasflessen.

6.2 Veiligheidsinstructies


- Sluit de gasfles nooit rechtstreeks aan op de barbecue. Monteer altijd eerst een drukregelaar op de gasfles.
- Pas voormonteerde of verzegelde onderdelen van de gasfles, slang of drukregelaar nooit aan.
- Zorg voor een zo kort mogelijke slang (maximaal 500 - 650 mm) om te verhinderen dat deze over de grond sleept.

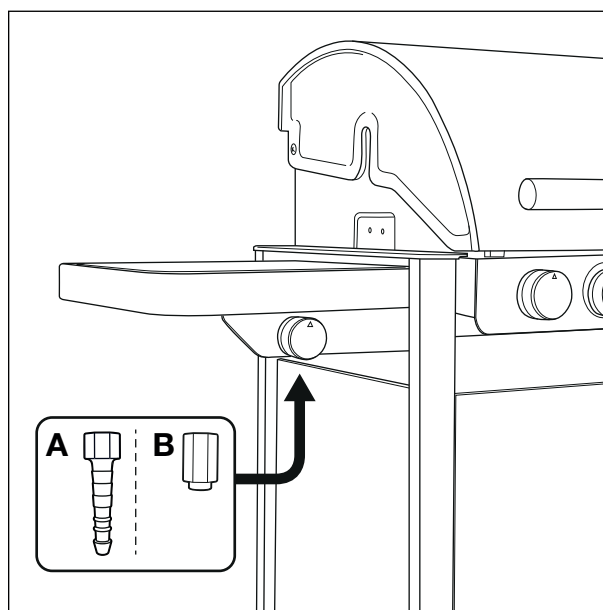
- Neem het volgende in acht bij het aansluiten van de gasfles, slang en drukregelaar:
 - Vervorm de slang niet.
 - Zet de gasfles altijd rechtop.
 - Open nooit de gastoevoer.
- Telkens wanneer u wijzigingen aanbrengt aan de gasverbindingen, moet u controleren of er gaslekken zijn. Zie "7 Controleren op gaslekken".

6.3 De slang aansluiten op de barbecue

Om de gas slang te kunnen aansluiten op de barbecue, moet u een koppeling monteren op de gasbuis van de barbecue. De barbecue wordt geleverd met twee verschillende koppelingen die bestemd zijn voor gebruik in verschillende landen:

Land	Koppeling
BE, CH, CZ, DK, ES, FI, GB, IE, IT, PT, SI	Koppeling A
FR	Koppeling B

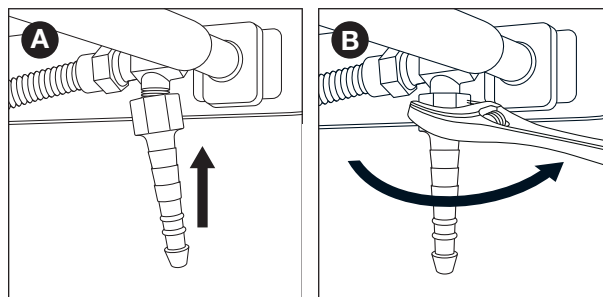
 Als uw land niet vermeld staat in de tabel, gebruikt u de koppeling die beantwoordt aan de normen die gelden in uw land.



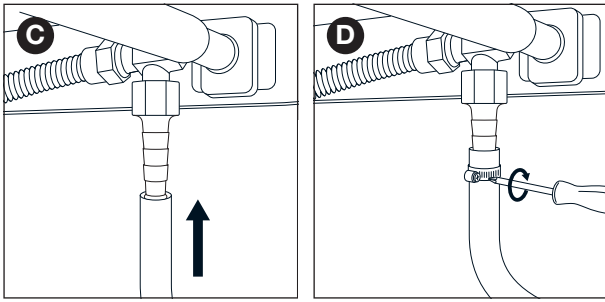
6.3.1 KOPPELING A

U hebt een moersleutel van 19 mm en een kruisschroevendraaier nodig.

- 1 Schroef de koppeling op de gasbuis van de barbecue (A) en draai deze vast met een moersleutel van 19 mm (B).



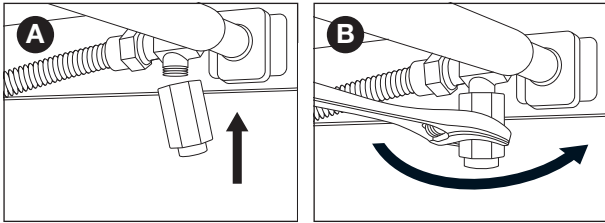
- 2 Schuif de slang over de koppeling (C) en span de spanning aan met een kruisschroevendraaier (D).



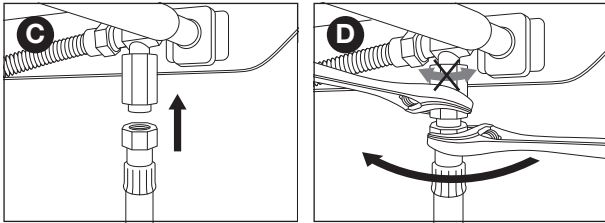
6.3.2 KOPPELING B

U hebt een moersleutel van 22 mm en een Engelse sleutel nodig.

- 1 Schroef de koppeling op de gasbuis van de barbecue (A) en draai deze vast met een moersleutel van 22 mm (B).



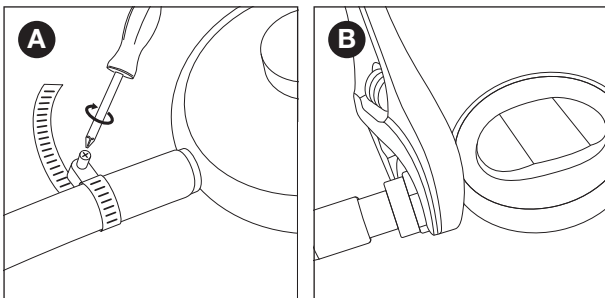
- 2 Schroef de gas slang op de koppeling (C) en draai deze aan met twee moersleutels. Houd de koppeling vast met een moersleutel van 22 mm en draai terwijl de slang vast met een Engelse sleutel (D).



6.4 De slang en gasfles aansluiten op de regelaar

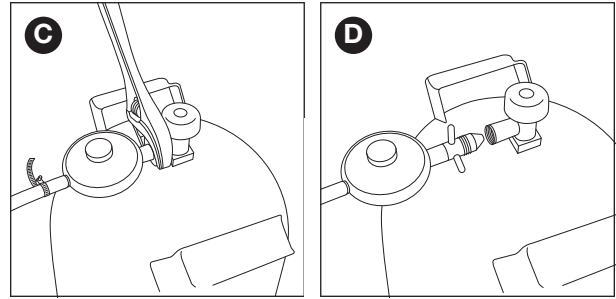
Afhankelijk van het gebruikte type drukregelaar hebt u een kruisschroevendraaier en/of een Engelse sleutel nodig.

- 1 Sluit de slang aan op de drukregelaar. Ga als volgt te werk:
- Als de slang uitgerust is met een spanning, schuift u de slang over de regelaar en spant u de spanning aan met een kruisschroevendraaier (A).
 - Als de slang uitgerust is met een moer, schroeft u de slang op de regelaar en draait u de moer aan met een Engelse sleutel (B).



- 2 Sluit de drukregelaar aan op de gasfles. Ga als volgt te werk:

- Als de regelaar uitgerust is met een moer, schroeft u de regelaar rechtsonder op de gasfles en draait u de moer aan met een Engelse sleutel (C).
- Als de regelaar voorzien is van schroefdraad, schroeft u de regelaar linksom op de gasfles (D).



6.5 De gasfles vervangen

- Draai de gastoevoer dicht en zet alle regelknoppen op OFF.
- Koppel de lege gasfles los en sluit de volle gasfles aan.
- Controleer de gasfles, de slang en alle gasverbindingen op lekken. Zie "7 Controleren op gaslekken".

7 CONTROLEREN OP GASLEKKEN

7.1 Waarom controleren op gaslekken?

Propana en butaan zijn zwaarder dan lucht. Dit betekent dat deze gassen niet wegdrijven als ze uit de barbecue lekken. Met name op windstille dagen kan het gas zich in geval van een gaslek gaan opstapelen in en rond de barbecue, en vervolgens ontsteken en ontploffen.

7.2 Wanneer controleren op gaslekken?

- Voor het eerste gebruik of na een lange periode van ongebruik.



Controleer of er geen gaslekken zijn als de barbecue gemonteerd werd door de leverancier.

- Telkens wanneer u een gasonderdeel vervangt.
- Minstens één keer per jaar, bij voorkeur aan het begin van het seizoen.

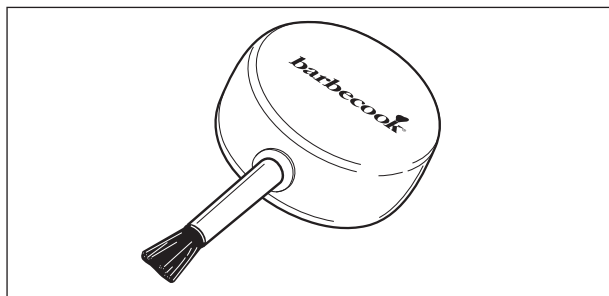
7.3 Veiligheidsinstructies

- Plaats de barbecue buitenshuis op een goed geventileerde plaats. Zorg ervoor dat er geen vlammen of warmtebronnen in de buurt van de barbecue zijn.
- Gebruik nooit een aansteker of lucifer om te controleren op gaslekken.
- Rook niet en ontsteek de branders niet wanneer u controleert op gaslekken.

7.4 Welke materialen heb ik nodig?

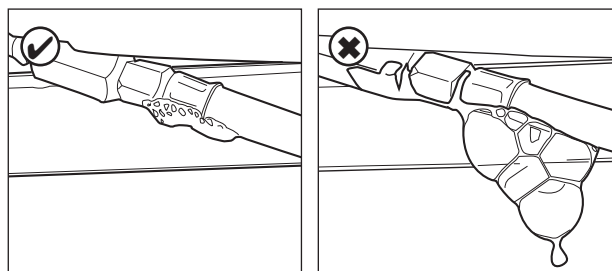
Om te controleren of er gaslekken zijn, hebt u het volgende nodig:

- Een testvloeistof. U kunt hiervoor een kant-en-klare lekspray of een mengsel van water (50%) en afwasmiddel (50%) gebruiken.
- Het lektestgereedschap dat geleverd is bij de barbecue. U gebruikt dit gereedschap om de testvloeistof op te zuigen en aan te brengen op de gasonderdelen of gasverbindingen die u wilt controleren.



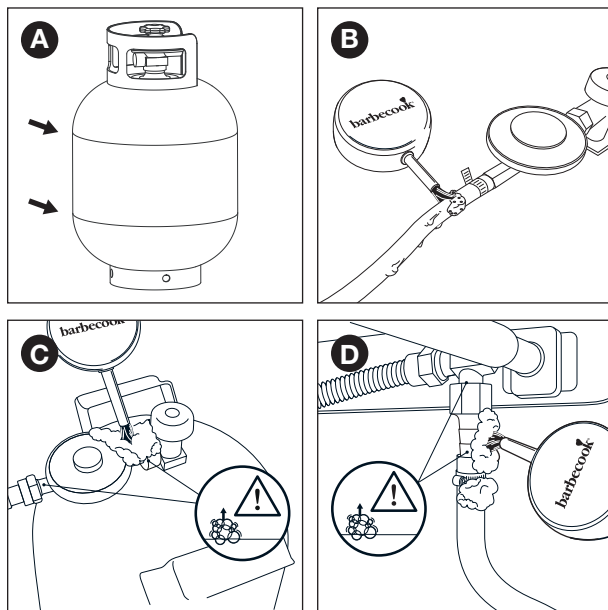
7.5 Controleren op gaslekken

U kunt controleren of er gaslekken zijn door op alle gasonderdelen en -verbindingen een testvloeistof aan te brengen. Als er grotere belLEN gevormd worden op een bepaald onderdeel of een bepaalde verbinding, is er sprake van een gaslek:



Ga als volgt te werk om te controleren of er gaslekken zijn:

- 1 Zet de barbecue buitenshuis.
- 2 Neem uw lektestgereedschap en testvloeistof (lekspray of water-zeepmengsel).
- 3 Open het deksel en zet alle regelknoppen op OFF.
- 4 Zet de gastoevoer iets open. Draai hiervoor slechts één keer aan het ventiel van de gasfles.
- 5 Zuig wat testvloeistof op met het lektestgereedschap en breng het aan op de zone die u wilt controleren. De volgende onderdelen moeten gecontroleerd worden:
 - De lasnaden van de gasfles (A)
 - De slang (B)
 - De verbindingen tussen de gasfles en de drukregelaar en tussen de drukregelaar en de slang (C)
 - De verbinding tussen de slang en de barbecue (D)



i De drukregelaar en koppeling van uw barbecue kunnen verschillen van de voorbeelden op de afbeeldingen.

6 Ga als volgt te werk:

- Als u een lek vaststelt, volgt u de instructies onder “In geval van een gaslek”.
- Als er geen lekken zijn, draait u de gastoevoer dicht, spoelt u alle onderdelen grondig met water en droogt u deze goed af.

7.6 In geval van een gaslek

- 1 Draai de gastoevoer dicht en ga als volgt te werk:
 - Als u een lek vastgesteld hebt aan een van de verbindingen, draait u de betreffende verbinding vast.
 - Als u een lek vastgesteld hebt aan de gasfles of slang, vervangt u de gasfles of slang.
- 2 Controleer de verbinding of het onderdeel waar u het lek hebt vastgesteld opnieuw.
- 3 Als het lek niet hersteld is, neemt u contact op met een Barbecueok-verdeler. Gebruik de barbecue pas opnieuw als het lek hersteld is.



Raadpleeg www.barbecueok.com voor een lijst met Barbecueok-verdelers bij u in de buurt.

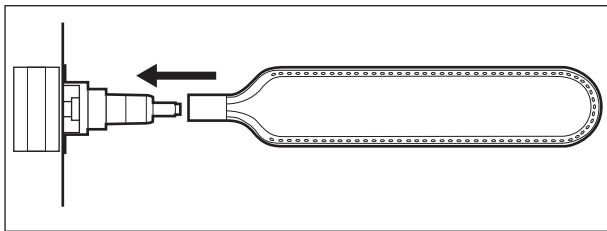
8 DE BARBECUE KLAARMAKEN VOOR GEBRUIK

8.1 Voor elk gebruik

Telkens als u de barbecue gebruikt, dient u ervoor te zorgen dat:

- de barbecue op een geschikte plaats opgesteld is. Zie “3.3 Een geschikte locatie kiezen”.
- de gas slang niet over de grond sleept en niet in aanraking kan komen met een heet oppervlak of druipend vet.
- de kuip schoongemaakt is. Wij raden u aan voor elk gebruik een nieuwe Leaf® in de kuip te plaatsen. Zie “11.2 De kuip reinigen”.
- de branders en venturibuizen niet verstopt zijn door insectennesten of spinnenwebben. Zie “11.3 De branders en venturibuizen schoonmaken”.

- de barbecue correct gemonteerd is. Besteed extra aandacht aan:
 - de branderkappen. Elke kap moet boven de juiste brander aangebracht zijn. Zie "4.2 Branderkappen".
 - de venturibuizen van de branders. Deze moeten boven de openingen van de gasventielen geplaatst zijn.



Als u er absoluut zeker van wilt zijn dat de gasverbindingen in orde zijn, kunt u de barbecue voor elk gebruik op gaslekken controleren. Zie "7 Controleren op gaslekken".

8.2 Voor het eerste gebruik (of na een lange periode van ongebruik)

Als u de barbecue voor het eerst of na een lange periode van ongebruik opnieuw gebruikt, moet u enkele extra controles uitvoeren:

- Zorg ervoor dat u alle instructies in deze handleiding gelezen, begrepen en gecontroleerd hebt (alleen voor het eerste gebruik).
- Controleer de barbecue op gaslekken. Zie "7 Controleren op gaslekken".



Controleer of er geen gaslekken zijn als de barbecue gemonteerd werd door de leverancier.

- Maak de branders en de venturibuizen schoon (alleen na een lange periode van ongebruik). Zie "11.3 De branders en venturibuizen schoonmaken".
- Laat de barbecue inbranden voor u er voedsel op legt (alleen voor het eerste gebruik). Zie "8.3 De barbecue inbranden".

8.3 De barbecue inbranden

Door de barbecue voor het eerste gebruik in te branden, verwijdert u achtergebleven fabricagevetten. Ga als volgt te werk:

- 1 Ontsteek de hoofdbranders en zet de regelknoppen op HIGH. Zie "9.2 De hoofdbranders ontsteken".
- 2 Sluit het deksel en laat de barbecue gedurende 15 minuten branden. Plaats nog geen voedsel op het rooster.
- 3 Na 15 minuten opent u het deksel en laat u de barbecue nog 5 minuten branden (regelknoppen nog steeds op HIGH).
- 4 Na deze 5 minuten is de barbecue klaar voor gebruik en kunt u voedsel op het rooster leggen.

9 DE BRANDERS ONTSTEKEN



Om de branders te ontsteken met de elektrische ontsteker, moet u een AA-batterij in de ontsteker plaatsen. Deze batterij is niet bij de barbecue geleverd. Het batterijvak van de ontsteker vindt u terug in de kast van de barbecue.

9.1 Veiligheidsinstructies

- Voor u de barbecue ontsteekt, voert u alle controles uit die vermeld worden onder "8 De barbecue klaarmaken voor gebruik".
- Zorg ervoor dat het deksel altijd geopend is wanneer u een brander ontsteekt.
- Buig u nooit rechtstreeks over een brander wanneer u deze ontsteekt.

9.2 De hoofdbranders ontsteken

9.2.1 DE ONTSTEKER GEBRUIKEN

- 1 Open het deksel en zet de regelknoppen van de hoofdbranders op OFF.
- 2 Als er nog geen andere brander ontstoken is, opent u de gastoevoer en wacht u tien seconden zodat het gas zich kan stabiliseren.
- 3 Druk op de regelknop van een brander, zet deze op HIGH en houd deze even vast. De ingebouwde ontsteker zal vonken maken, waardoor de brander ontstoken wordt.

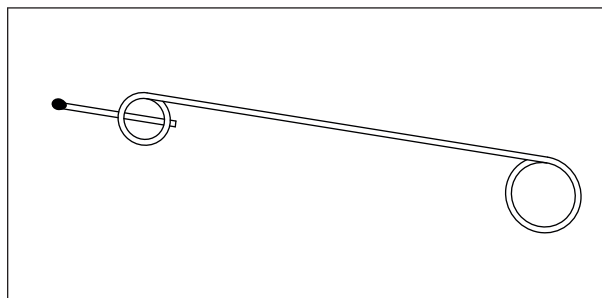


Ontsteek om te beginnen altijd eerst één hoofdbrander. Ontsteek nooit alle hoofdbranders tegelijk.

- 4 Als de brander na drie pogingen nog niet ontstoken is, zet u de regelknop ervan op OFF, draait u de gastoevoer dicht en wacht u 5 minuten om het opgestapelde gas te laten ontsnappen.
- 5 Probeer de brander opnieuw te ontsteken. Als dit nog steeds niet lukt, probeert u de brander met een lucifer te ontsteken of raadpleegt u "14 Problemen oplossen" om de oorzaak van het probleem te achterhalen.

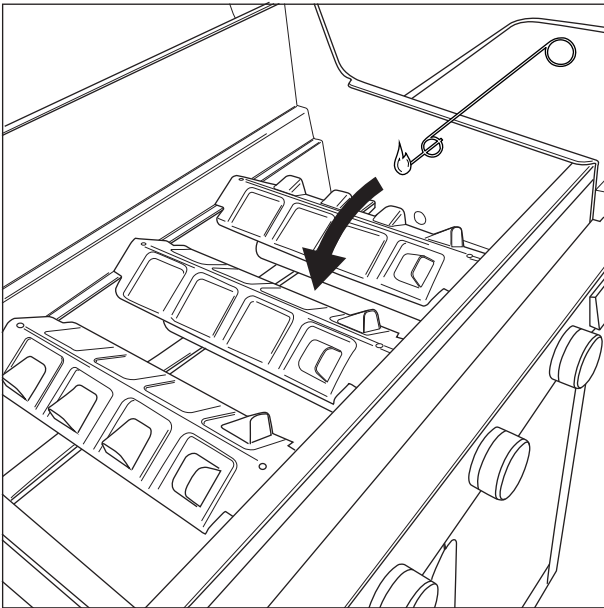
9.2.2 EEN LUCIFER GEBRUIKEN

- 1 Plaats een lucifer in de luciferhouder.




- 2 Open het deksel en zet de regelknoppen van de hoofdbranders op OFF.
- 3 Als er nog geen andere brander ontstoken is, opent u de gastoevoer en wacht u tien seconden zodat het gas zich kan stabiliseren.

- 4 Strijk de lucifer aan en houd deze ongeveer 13 mm van de brander verwijderd.




- 5 Zet de regelknop van één brander op HIGH.

 Ontsteek om te beginnen altijd eerst één hoofdbrander. Ontsteek nooit alle hoofdbranders tegelijk.

- 6 Als de brander niet binnen 5 seconden ontsteekt, zet u de regelknop ervan op OFF, draait u de gastoevoer dicht en wacht u 5 minuten om het opgestapelde gas te laten ontsnappen.
- 7 Probeer de brander opnieuw te ontsteken. Als dit nog steeds niet lukt, raadpleegt u "14 Problemen oplossen" om de oorzaak van het probleem te achterhalen.

9.3 De zijbrander ontsteken

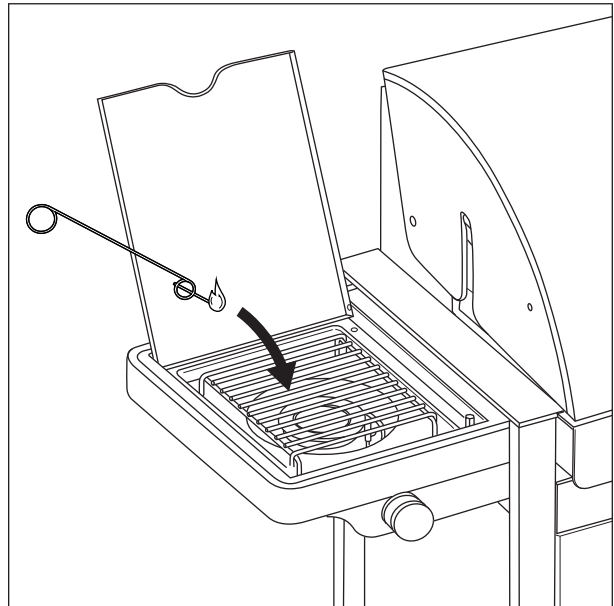
 De zijbrander kan potten dragen die maximaal 9 kg zwaar zijn en een maximale diameter van 220 mm hebben.

9.3.1 DE ONTSTEKER GEBRUIKEN

- 1 Open het deksel en zet de regelknop van de zijbrander op OFF.
- 2 Als er nog geen andere brander ontstoken is, opent u de gastoevoer en wacht u tien seconden zodat het gas zich kan stabiliseren.
- 3 Druk op de regelknop van de zijbrander, zet deze op HIGH en houd deze even vast. De ingebouwde ontsteker zal vonken maken, waardoor de zijbrander ontstoken wordt.
- 4 Als de brander na drie pogingen nog niet ontstoken is, zet u de regelknop ervan op OFF, draait u de gastoevoer dicht en wacht u 5 minuten om het opgestapelde gas te laten ontsnappen.
- 5 Probeer de zijbrander opnieuw te ontsteken. Als dit nog steeds niet lukt, probeert u de brander met een lucifer te ontsteken of raadpleegt u "14 Problemen oplossen" om de oorzaak van het probleem te achterhalen.

9.3.2 EEN LUCIFER GEBRUIKEN

- 1 Plaats een lucifer in de luciferhouder.
- 2 Open het deksel en zet de regelknop van de zijbrander op OFF.
- 3 Als er nog geen andere brander ontstoken is, opent u de gastoevoer en wacht u tien seconden zodat het gas zich kan stabiliseren.
- 4 Strijk de lucifer aan en houd deze ongeveer 13 mm van de zijbrander verwijderd.



- 5 Zet de regelknop van de zijbrander op HIGH.
- 6 Als de zijbrander niet binnen 5 seconden ontsteekt, zet u de regelknop ervan op OFF, draait u de gastoevoer dicht en wacht u 5 minuten om het opgestapelde gas te laten ontsnappen.
- 7 Probeer de zijbrander opnieuw te ontsteken. Als dit nog steeds niet lukt, raadpleegt u "14 Problemen oplossen" om de oorzaak van het probleem te achterhalen.

9.4 De branders uitschakelen

Als u de branders niet langer gebruikt, moet u deze uitschakelen. Ga als volgt te werk:

- 1 Draai de gastoevoer dicht.
- 2 Zet de regelknoppen van de branders op OFF.



Door eerst de gastoevoer dicht te draaien, zorgt u ervoor dat er geen gas meer aanwezig is in de barbecue.

9.5 De branders opnieuw ontsteken

Als een brander tijdens het gebruik dooft, gaat u als volgt te werk:

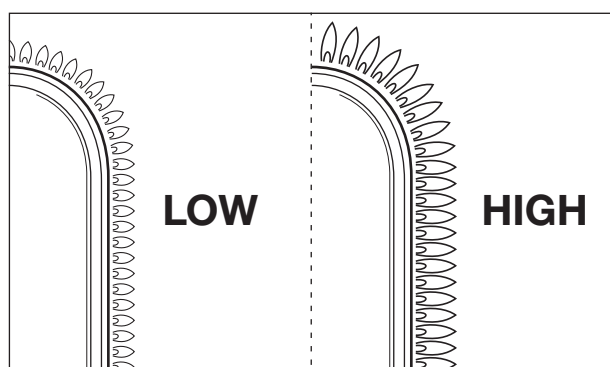
- 1 Open het deksel en draai de gastoevoer dicht.
- 2 Zet alle regelknoppen op OFF en wacht 5 minuten om het opgestapelde gas te laten ontsnappen.
- 3 Ontsteek de brander(s) opnieuw.

9.6 De vlammen controleren

Telkens als u een brander ontsteekt, moet u de vlammen ervan controleren. Een perfect vlam is nagenoeg volledig blauw, met een klein stukje geel aan de bovenkant. Sporadische gele vlammen zijn normaal en niet gevaarlijk.

Als er een probleem is met de vlammen, onderneemt u een van de volgende acties om dit op te lossen:

De vlammen zijn...	Ga als volgt te werk...
Laag en volledig geel	<ol style="list-style-type: none">1 Draai onmiddellijk de gastoevoer dicht en zet alle regelknoppen op OFF.2 Raadpleeg "14 Problemen oplossen" om de oorzaak van het probleem te achterhalen. Waarschijnlijk zijn de venturibuizen geblokkeerd.
Hoger dan de kuip	<ol style="list-style-type: none">1 Draai onmiddellijk de gastoevoer dicht en zet alle regelknoppen op OFF.2 Wacht gedurende 5 minuten om eventueel opgestapeld gas te laten ontsnappen.3 Ontsteek de brander(s) opnieuw.4 Als het probleem niet opgelost raakt, raadpleegt u "14 Problemen oplossen" om de oorzaak ervan te achterhalen.



10 HANDIGE TIPS

10.1 De barbecue voorverwarmen

Door de barbecue voor te verwarmen, zorgt u ervoor dat het rooster warm genoeg is als u het voedsel erop legt. Ga als volgt te werk:

- 1 Ontsteek de brander(s) en zet de regelknop(pen) op HIGH.
- 2 Sluit het deksel en laat de barbecue gedurende tien minuten branden.
- 3 Open na deze tien minuten het deksel en leg het voedsel op het rooster.
- 4 Als u nu minder warmte wilt, zet u de regelknop(pen) op een lagere stand.

10.2 Voorkomen dat voedsel aankleeft

Houd rekening met het volgende om te voorkomen dat voedsel aan het rooster kleeft:

- Smeer met behulp van een borstel wat olie op het voedsel voor u het op het rooster plaatst. U kunt ook het rooster zelf insmeren.
- Verwarm de barbecue voor. Hoe warmer het rooster wanneer u het voedsel erop plaatst, hoe kleiner de kans dat het voedsel zal aankleven.
- Draai het voedsel niet te snel om. Laat het eerst goed warm worden.

10.3 Rechtstreeks en onrechtstreeks grillen

Afhankelijk van het type voedsel dat u wilt bereiden en de manier waarop u dat wilt doen, kunt u rechtstreeks of onrechtstreeks gaan grillen:

Method	Beschrijving	Gebruik
Rechtstreeks	Plaats het voedsel rechtstreeks boven een ontstoken brander, kies een hoge stand voor de brander en laat het deksel open.	Vlees en groenten dichtschroeien
Onrechtstreeks	Plaats het voedsel naast een ontstoken brander, kies een gemiddelde/lage stand voor de brander en sluit het deksel.	Dichtgeschroefd vlees verder garen

- ⚠ Wanneer u met een gesloten deksel grilt, dient u steeds de dekselthermometer in de gaten te houden om er zeker van te zijn dat de barbecue niet te heet wordt. Zie "10.5 De temperatuur controleren".

10.4 Grillen met gesloten deksel

Grillen met een gesloten deksel levert een aantal voordelen op:

- De temperatuur van het rooster is hoger en blijft constanter.
- Het voedsel moet minder lang garen en blijft sappiger.
- Er zijn minder opflakkeringen en het gasverbruik ligt lager.

- ⚠ Wanneer u met een gesloten deksel grilt, dient u steeds de dekselthermometer in de gaten te houden om er zeker van te zijn dat de barbecue niet te heet wordt. Zie "10.5 De temperatuur controleren".

10.5 De temperatuur controleren

De barbecue is uitgerust met krachtige branders, wat betekent dat u deze snel kunt opwarmen en u de temperatuur constant kunt houden. Als u echter grilt met een gesloten deksel, moet u ervoor zorgen dat de barbecue niet te heet wordt. Controleer dus regelmatig de dekselthermometer en neem de volgende richtlijnen in acht:

- Een normale gaartemperatuur bedraagt ongeveer 210 °C. Bij een hogere temperatuur kunnen druipend en aangekoekt vet echter ontbranden.
- De temperatuur mag nooit langer dan vijf minuten hoger zijn dan 300 °C. Is dit wel het geval, dan kan de barbecue beschadigd en vervormd raken.



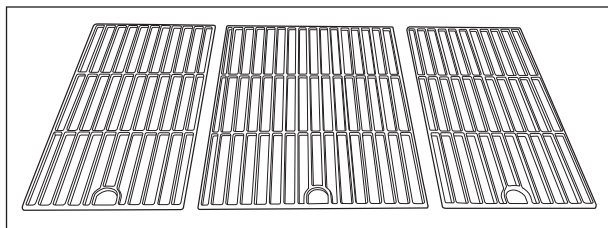
Als de barbecue te heet wordt, laat u deze afkoelen door het deksel te openen en een lagere stand te kiezen voor de branders.

10.6 De warmte optimaal gebruiken

Het middelste deel van de kuip is warmer dan de randen. Om het warmste deel zo optimaal mogelijk te kunnen gebruiken, is de barbecue uitgerust met roosters van verschillende formaten. De volgende roosters zijn inbegrepen:

- Eén groot rooster om in het midden van de kuip te plaatsen.
- Twee kleinere roosters om aan de zijkanten van de kuip te plaatsen.

Als u de roosters correct in de kuip plaatst en alle branders ontsteekt, zal het volledige middenrooster maximaal verwarmd worden. Op die manier breidt u het warmste deel van de kuip uit en kunt u het roosteroppervlak van de barbecue optimaal benutten.



10.7 De warmtezones benutten

Wanneer alle branders ontstoken zijn, verspreiden de branderkappen de warmte zo gelijkmatig mogelijk over het rooster. Niettegenstaande deze gelijkmatige verwarming, zijn sommige zones toch warmer dan andere. U kunt deze warmtezones benutten om uw voedsel perfect te gaan grillen:

Zone	Warm?	Gebruiken voor...
Voor	Warm	Grillen van delicaat voedsel (garnalen, vis enz.)
Midden	Warmer	Bereiden van voedsel dat een tijdje moet garen (bv. worst, kippenbillen enz.)
Achter	Warmst	Vlees en groenten dichtschroeien



U kunt ook warmtezones creëren door te spelen met de kracht van de branders. U kunt bijvoorbeeld een brander op een lagere stand zetten en de zone boven die brander gebruiken voor delicaat voedsel of voedsel dat een tijdje moet garen.

10.8 Opflakkingen vermijden

Tijdens het grillen kunnen er opflakkingen voorkomen. Dit is normaal. Te veel opflakkingen verhogen echter de temperatuur in de barbecue en kunnen opgehoopt vet doen ontbranden.

Opflakkingen vermijden:

- Zorg ervoor dat de kuip schoon is wanneer u begint te grillen. Wij raden u aan voor elk gebruik een nieuwe Leaf® in de kuip te plaatsen. Zie "11.2 De kuip reinigen".
- Controleer regelmatig of de vetafvoeropening vrij is en of de vetdruipschaal of -kop nog niet vol is.
- Snijd bij het grillen van vet vlees overtollig vet weg, sluit het deksel en zet de branders op een gemiddelde of lage stand.

11 DE BARBECUE ONDERHOUDEN

11.1 Het rooster reinigen

Het is aan te bevelen het rooster na elk gebruik te reinigen met de Barbecook cleaner. Ga als volgt te werk:

- 1 Spuit het schuim op het rooster en laat het even inwerken.
Het schuim verandert van kleur terwijl vuil en vet worden losgeweekt.
- 2 Verwijder het schuim met een zachte spons en water en spoel het rooster grondig.
- 3 Droog het rooster goed en bewaar het op een droge plaats. Dit voorkomt roestvorming.



U kunt het rooster ook reinigen met een zacht reinigingsmiddel of met natriumbicarbonaat. Gebruik nooit ovenreinigers om het rooster te reinigen.

11.2 De kuip reinigen

Het is aan te bevelen de kuip na elk gebruik te reinigen. De eenvoudigste manier om dit te doen, is een Leaf® in de kuip aan te brengen voor u begint te grillen. De Leaf® is een folie die perfect in de kuip past en alle vuil en vet opvangt. Wanneer de barbecue afgekoeld is, hoeft u alleen maar de Leaf® te verwijderen om de kuip schoon te maken.



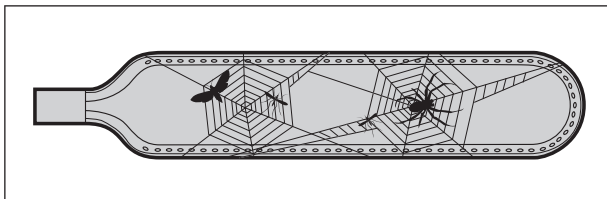
Registreer uw barbecue op www.barbecook.com om na te gaan welke Leaf® u nodig hebt.

11.3 De branders en venturibuizen schoonmaken

11.3.1 WAAROM DE BRANDERS EN VENTURIBUIZEN SCHOONMAKEN?

Spinnen en insecten kunnen webben en nesten maken in de branders en venturibuizen, waardoor de gastoevoer naar de branders geblokkeerd kan raken. Gevolg:

- U kunt de branders niet ontsteken. Als u er toch in slaagt ze te ontsteken, worden er alleen rokerige, gele vlammen geproduceerd.
- Het gas kan ontbranden buiten de venturibuizen, ter hoogte van de regelknoppen. Deze vlammen worden flashbacks genoemd en kunnen ernstige verwondingen en materiaalschade veroorzaken.



Schade als gevolg van geblokkeerde branders en venturibuizen wordt beschouwd als gebrekkig onderhoud en is niet gedekt door de garantie.

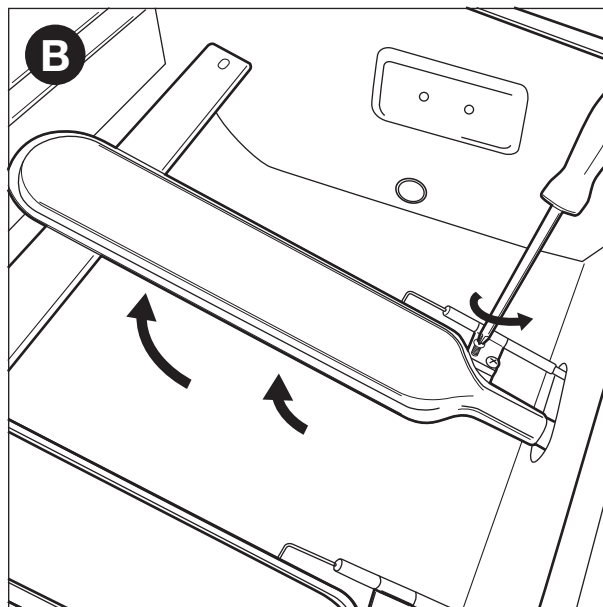
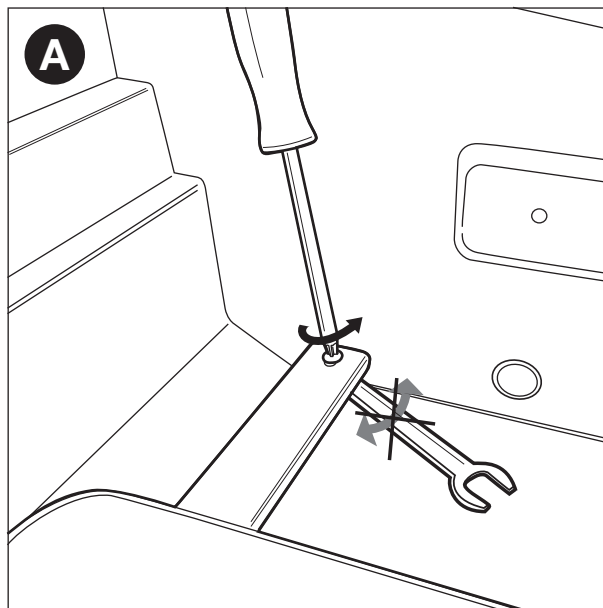
11.3.2 WANNEER DE BRANDERS EN VENTURIBUIZEN SCHOONMAKEN?

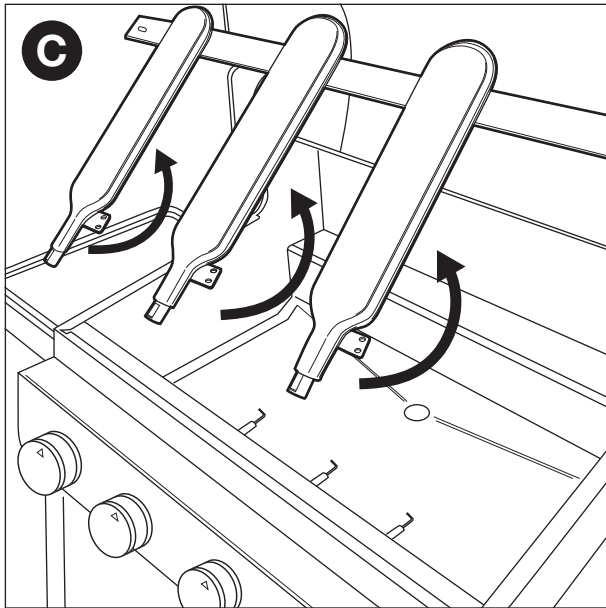
Maak de branders en venturibuizen van de barbecue op de volgende momenten schoon:

- Voor het eerste gebruik na een lange periode van ongebruik.
- Minstens twee keer per jaar, waarvan één keer aan het begin van het seizoen.

11.3.3 DE BRANDERS EN VENTURIBUIZEN SCHOONMAKEN

- 1 Verwijder de branders van de barbecue zoals aangegeven op de afbeeldingen. Als u merkt dat een brander beschadigd is, moet u deze vervangen.







- 2 Maak de branders en venturibuizen schoon met een kleine borstel of een zelfgemaakte buizenreiniger (een opengeplooid paperclip, buizenborstel enz.).
- 3 Plaats de branders terug. Zorg ervoor dat de venturibuizen boven de openingen van de gasventielen geplaatst zijn.

11.4 Geëmailleerde, roestvaststalen, en gepoederlakte onderdelen onderhouden

De barbecue bestaat uit geëmailleerde, roestvaststalen, en gepoederlakte onderdelen. Elk materiaal moet op een specifieke wijze worden onderhouden:

Materiaal	Onderhoud van dit materiaal
Email	<ul style="list-style-type: none"> • Gebruik geen scherpe voorwerpen en stoot de barbecue niet tegen een hard oppervlak. • Vermijd contact met koude vloeistoffen terwijl de barbecue nog heet is. • Metalen sponsjes en schurende reinigingsmiddelen kunnen worden gebruikt.
Roestvast staal	<ul style="list-style-type: none"> • Gebruik geen agressieve, schurende of metaalreinigingsmiddelen. • Gebruik niet-agressieve reinigingsmiddelen en laat ze inwerken op het staal. • Gebruik een zachte spons of doek. • Spoel de barbecue na het reinigen grondig en laat de barbecue zeer goed drogen voor u deze opbergt.
Gepoederlakt	<ul style="list-style-type: none"> • Gebruik geen scherpe voorwerpen. Gebruik niet-agressieve reinigingsmiddelen en een zachte spons of doek. • Spoel de barbecue na het reinigen grondig en laat de barbecue zeer goed drogen voor u deze opbergt.

 Om roestvorming op onderdelen uit roestvast staal te voorkomen, vermijdt u best ieder contact met chloor, zout of ijzer. Wij raden u aan de barbecue niet te gebruiken in kuststreken, nabij spoorwegen of in de buurt van een zwembad.

 Schade wegens het niet opvolgen van deze instructies wordt beschouwd als gebrekking onderhoud en is niet gedekt door de garantie.

Onder de explosietekening van uw barbecue (tweede deel van de handleiding) vindt u een lijst van alle onderdelen waaruit de barbecue is samengesteld. Deze lijst omvat een symbool dat het materiaal van elk onderdeel aangeeft, zodat u kunt nagaan hoe u een bepaald onderdeel dient te onderhouden. In de onderdelenlijsten worden de volgende symbolen gebruikt:

Symbool	Materiaal
●	Email
■	Roestvast staal
★	Gepoederlakt

11.5 De barbecue opbergen

Als u de barbecue gedurende een lange periode niet zult gebruiken, bewaart u deze op een droge plaats. Voor u de barbecue opbergt:

- Koppel de gasfles los. Bewaar de barbecue nooit binnenshuis (zelfs niet in een garage of schuur) als deze nog aangesloten is op de gasfles.
- Maak de branders en de roosters schoon, wrijf ze in met olie en wikkel ze in papier.
- Als uw barbecue uitgerust is met een spitbrander, verwijderd u de motor ervan en bewaart u deze op een droge plaats.
- Bedek uw apparaat met een Barbecook-hoes. Registreer uw barbecue op www.barbecook.com om na te gaan welke hoes u nodig hebt.

11.6 Gasflessen bewaren

Deze instructies zijn zowel voor lege als volle gasflessen van toepassing.

- Bewaar gasflessen altijd buitenshuis in een goed geventileerde ruimte. Zorg ervoor dat de flessen niet blootgesteld worden aan hoge temperaturen of direct zonlicht.
- Bewaar een gasfles nooit op een plaats waar het erg warm kan worden (in een auto, op een boot enz.).
- Bewaar uw gasfles of reservegasfles nooit in de kast van de barbecue.
- Bewaar uw reservegasfles nooit in de buurt van een toestel op gas dat in gebruik is.
- Bewaar gasflessen altijd buiten het bereik van kinderen.
- Bewaar en transporteer gasflessen altijd rechtopstaand.

11.7 Reserveonderdelen bestellen

Onderdelen die blootstaan aan vuur of intense hitte moeten van tijd tot tijd worden vervangen. Reserveonderdelen bestellen:

- 1 Zoek het referentienummer op van het gewenste onderdeel. U vindt een lijst met alle referentienummers onder de explosietekeningen in het tweede deel van deze handleiding en op www.barbecook.com.



Als u uw barbecue online hebt geregistreerd, verschijnt automatisch de correcte lijst.

- 2 Bestel het reserveonderdeel bij uw verkoper. U kunt onderdelen bestellen die binnen of buiten de garantie vallen.

12 GARANTIE

12.1 Gedekt

Uw barbecue heeft een garantie van twee jaar vanaf de aankoopdatum. Deze garantie dekt alle fabricagefouten op voorwaarde dat:

- u uw barbecue hebt gebruikt, gemonteerd en onderhouden overeenkomstig de instructies in deze handleiding. Schade ten gevolge van misbruik, verkeerde montage of foutief onderhoud wordt niet als een fabricagefout beschouwd.
- u het aankoopbewijs en het unieke serienummer van uw toestel kunt overhandigen. Dit serienummer begint met een G, gevolgd door 15 cijfers. U vindt dit:
 - op deze handleiding en op het startpakket dat bij de handleiding is gevoegd.
 - op de verpakking van de barbecue.
 - op het typelabel aan de binnenzijde van de kastdeur (Quisson, Siesta 4 en Siesta 6) of aan de binnenzijde van het onderste voorpaneel (Spring, Siesta 2 en Siesta 3).
- De Barbecook-kwaliteitsafdeling gaat na of de onderdelen defect zijn en of het defect zich heeft voorgedaan bij normaal gebruik, correcte montage en juist onderhoud.

Als aan een van deze voorwaarden niet is voldaan, kunt u niet van de garantie genieten. In elk geval blijft de garantie beperkt tot het herstellen of vervangen van de defecte onderdelen.

12.2 Niet gedekt

De volgende schade en gebreken worden niet door de garantie gedekt:

- Normale slijtage (roestvorming, vervorming, verkleuring enz.) van onderdelen die rechtstreeks blootstaan aan vuur of intense hitte. Deze onderdelen moeten van tijd tot tijd worden vervangen.
- Visuele onregelmatigheden die inherent zijn aan het fabricageproces. Deze onregelmatigheden worden niet als fabricagefouten beschouwd.
- Alle schade veroorzaakt door gebrekkig onderhoud, foutieve opberging, verkeerde montage of wijzigingen aan voorgesmonteerde onderdelen.
- Alle schade ten gevolge van misbruik van de barbecue (niet gebruikt volgens de instructies in deze handleiding, gebruikt voor commerciële doeleinden enz.).
- Alle gevolgschade wegens nalatigheid of niet-voorgeschreven gebruik van het toestel.
- Roest of verkleuring ten gevolge van externe invloeden, gebruik van agressieve reinigingsmiddelen, blootstelling aan chloor enz. Deze schade wordt niet als een fabricagefout beschouwd.

13 TECHNISCHE GEGEVENS

13.1 Typelabel

Op het typelabel staan alle technische gegevens van de barbecue vermeld. U vindt dit:

- in het tweede deel van deze handleiding.
- aan de binnenzijde van de kastdeur.

13.2 Diameters van de injectoren

- Hoofdbrander: 0,991 mm
- Zijbrander: 0,88 mm

14 PROBLEMEN OPLOSSEN

Probleem	Mogelijke oorzaken	Oplossingen
Onvoldoende warmte	<ul style="list-style-type: none"> • Gastoevoer niet geopend • Venturibuizen niet boven openingen van gasventielen geplaatst • Branderopeningen geblokkeerd • Gasfles (bijna) leeg • Drukregelaar niet correct aangesloten op fles en/of slang 	<ul style="list-style-type: none"> • Gastoevoer openen • Venturibuizen boven openingen van gasventielen plaatsen • Branderopeningen schoonmaken of branders vervangen • Gasfles vervangen • Drukregelaar opnieuw aansluiten op fles en/of slang
Te warm en/of opflakkeringen	<ul style="list-style-type: none"> • Voedsel te vet • Vetafvoeropening geblokkeerd, vet in kuip en/of op branders • Branderkappen niet correct gemonteerd • Temperatuur te hoog 	<ul style="list-style-type: none"> • Overtollig vet wegsnijden of een lage stand kiezen voor de branders • Vetafvoeropening, kuip en branders schoonmaken • Branderkappen correct monteren • Een lagere stand kiezen voor de branders en/of voedsel onrechtstreeks grillen
Warmte niet gelijkmatig verspreid over roosteroppervlak	<p>Sommige warmteverschillen zijn normaal; zie “11.6 De warmte optimaal gebruiken” en “11.7 De warmtezones benutten”. Mogelijke oorzaken voor aanzienlijke warmteverschillen:</p> <ul style="list-style-type: none"> • Branderkappen niet correct gemonteerd • Barbecue niet voorverwarmd 	<ul style="list-style-type: none"> • Branderkappen correct monteren • Barbecue voorverwarmen
Gele vlammen	<ul style="list-style-type: none"> • Branders of venturibuizen geblokkeerd • Zout op branders • Barbecue aangesloten op butaan 	<ul style="list-style-type: none"> • Branders en venturibuizen schoonmaken • Branders schoonmaken • Barbecue aansluiten op propaan en een geschikte drukregelaar gebruiken
Onvolledige vlam	Brander geblokkeerd, doorboord of verroest	Brander schoonmaken of vervangen
Flashbacks (vlammen buiten venturibuizen / bij regelknoppen)	Branders of venturibuizen geblokkeerd	<ol style="list-style-type: none"> 1 Draai de gastoevoer dicht en zet de branders op OFF. 2 Laat de barbecue afkoelen. 3 Maak de branders en venturibuizen schoon.
Vlammen hoger dan rand van kuip	<ul style="list-style-type: none"> • Veel wind • Gasfles (bijna) leeg • Vet in kuip en/of op branders 	<ul style="list-style-type: none"> • Barbecue met achterkant naar de wind richten • Gasfles vervangen • Kuip en branders schoonmaken, en Leaf® vervangen
Drukregelaar zoemt	<ul style="list-style-type: none"> • Warm weer • Nieuwe (volle) gasfles 	Geen gevaar of defect; stopt automatisch na een tijdje.
Brander fluit wanneer ingesteld op LOW	Gasinjector, venturibuis en/of brander vuil	Gasinjector, venturibuis en brander reinigen
Brander ontsteken lukt niet (noch met ontsteker, noch met lucifer)	<ul style="list-style-type: none"> • Brander of venturibuis geblokkeerd • Geen gastoevoer 	<ul style="list-style-type: none"> • Brander en venturibuis schoonmaken • Gastoevoer opendraaien en op veiligheidsknop op drukregelaar drukken (niet aanwezig op alle regelaars)
Brander ontsteken lukt niet met ontsteker	<ul style="list-style-type: none"> • Geen batterij geplaatst of batterij niet correct geplaatst • Ontstekerbekabeling niet correct aangesloten • Elektrode beschadigd • Foute aarding • Defecte ontsteker 	<ul style="list-style-type: none"> • Batterij (opnieuw) plaatsen met de polen correct georiënteerd • Alle ontstekeraansluitingen controleren en opnieuw uitvoeren • Elektrode vervangen • Elektrodes, branders en ontsteker controleren en opnieuw monteren • Ontsteker vervangen

Probleem	Mogelijke oorzaken	Oplossingen
Geen vonken of geluid bij indrukken van ontsteker	<ul style="list-style-type: none"> • Geen batterij geplaatst of batterij niet correct geplaatst • Lege batterij • Ontstekerknop niet correct gemonteerd • Defecte vonkgenerator 	<ul style="list-style-type: none"> • Batterij (opnieuw) plaatsen met de polen correct georiënteerd • Batterij vervangen • Ontstekerknop opnieuw monteren • Vonkgenerator vervangen
Alleen geluid (geen vonken) bij indrukken ontsteker	<ul style="list-style-type: none"> • Foute aarding • Brander en elektrode te ver uit elkaar 	<ul style="list-style-type: none"> • Vonkgenerator en elektrodes opnieuw aansluiten • Elektrode wat buigen om deze dicht bij de brander te brengen
Vonken zichtbaar die niet aan de branders ontspringen	Defecte bekabeling	Bekabeling vervangen
Vonken zichtbaar, maar niet op alle elektrodes en/of niet krachtig genoeg	<ul style="list-style-type: none"> • Foute aarding • Batterij bijna leeg • Natte of defecte elektrodes 	<ul style="list-style-type: none"> • Vonkgenerator en elektrodes opnieuw aansluiten • Batterij vervangen • Elektrodes drogen met keukenpapier of elektrodes vervangen

FR - MODE D'EMPLOI

1	Enregistrement de votre appareil.....	38	10	Conseils pratiques et astuces.....	45
2	À propos de ce mode d'emploi.....	38		• Préchauffer l'appareil	45
3	Consignes de sécurité importantes	38		• Empêcher que les aliments ne collent	45
	• Lire et suivre les instructions	38		• Griller directement et indirectement.....	45
	• Faire preuve de prudence avec le gaz.....	38		• Faire griller avec le couvercle fermé.....	45
	• Sélection de l'emplacement adéquat.....	38		• Visualiser la température	46
	• Appel au bon sens.....	38		• Utilisation optimale de la chaleur	46
4	Concepts récurrents	39		• Tirer profit des zones de chaleur.....	46
	• Venturis.....	39		• Éviter les flammes vives	46
	• Les chapeaux de brûleurs	39	11	Entretien de l'appareil	47
	• Émail.....	39		• Nettoyage de la grille	47
	• Flammes vives.....	39		• Nettoyage de la cuve	47
5	Assemblage de l'appareil.....	39		• Nettoyage des brûleurs et des venturis	47
	• Consignes de sécurité.....	39		• Entretien des éléments en émail, en acier inoxydable, et des revêtements de peinture en poudre	48
	• Pour assembler l'appareil.....	40		• Ranger l'appareil	48
6	Raccorder le gaz à l'appareil.....	40		• Rangement des bonbonnes de gaz	48
	• Quels bonbonne, tuyau et détendeur utiliser ?	40		• Commander des pièces de rechange	48
	• Consignes de sécurité.....	40	12	Garantie	49
	• Raccorder le tuyau à l'appareil.....	40		• Ce qu'elle couvre	49
	• Raccorder le tuyau et la bonbonne au détendeur.....	41		• Ce qu'elle ne couvre pas.....	49
	• Remplacement de la bonbonne	41	13	Spécifications techniques.....	49
6.3	Raccorder le tuyau à l'appareil	40		• Étiquette-type.....	49
	• Pourquoi vérifier l'étanchéité au gaz ?	41		• Diamètre des injecteurs.....	49
	• Quand vérifier l'étanchéité au gaz ?	41	14	Dépannage.....	50
	• Consignes de sécurité.....	41			
	• De quels produits ai-je besoin ?.....	42			
	• Vérifier l'étanchéité au gaz	42			
	• En cas de fuite de gaz.....	42			
8	Préparation avant d'utiliser l'appareil.....	42			
	• Avant chaque utilisation	42			
	• Avant une nouvelle utilisation (après une longue période d'interruption)	43			
	• Brûler les résidus de fabrication de l'appareil	43			
9	Allumage des brûleurs.....	43			
	• Consignes de sécurité.....	43			
	• Allumage des brûleurs principaux	43			
	• Allumage du brûleur latéral.....	44			
	• Éteindre les brûleurs.....	44			
	• Rallumage des brûleurs.....	44			
	• Vérifier les flammes	45			

1 ENREGISTREMENT DE VOTRE APPAREIL

Nous vous remercions pour votre achat d'un appareil Barbecue ! Nous sommes convaincus qu'il apportera joie et bonne humeur à vos barbecues.

Afin d'améliorer votre expérience, nous vous invitons à enregistrer votre appareil sur www.barbecue.com. Cela ne prendra que quelques minutes mais vous permettra de bénéficier d'avantages considérables :

- Vous aurez accès à notre service après-vente personnalisé. Par exemple, cela vous permet de trouver rapidement des pièces de rechange pour votre appareil ou de bénéficier d'un service de garantie optimal.
- Nous pouvons vous informer des intéressantes mises à jour produit et vous orienter vers les informations et les spécifications produit les plus pertinentes pour votre appareil.



Pour obtenir plus d'informations concernant l'enregistrement de votre appareil, veuillez consulter www.barbecue.com.



Barbecue respecte votre vie privée. Vos informations personnelles ne seront pas vendues, ni distribuées ni communiquées à des tiers.

2 À PROPOS DE CE MODE D'EMPLOI

Ce mode d'emploi se compose de deux parties :

- La première partie correspond à celle que vous êtes actuellement en train de lire. Elle fournit les instructions d'assemblage, d'utilisation et d'entretien de votre appareil.
- La seconde partie débute à la page 379. Elle inclut tous les types d'illustrations (vues éclatées, dessins d'assemblage ...) des appareils qui sont décrits dans ce mode d'emploi.

3 CONSIGNES DE SÉCURITÉ IMPORTANTES

3.1 Lire et suivre les instructions

Lisez les instructions avant d'utiliser l'appareil. Suivez toujours attentivement les instructions. L'assemblage et l'utilisation non conformes aux instructions peuvent causer des incendies ou endommager le matériel.



Les dommages résultant du non respect des instructions suivantes (assemblage incorrect, mauvaise utilisation, entretien inadéquat...) ne sont pas couverts par la garantie.

3.2 Faire preuve de prudence avec le gaz

Utiliser du gaz est sûr, mais cela nécessite quelques précautions :

- Rangez toujours les bonbonnes de gaz à l'extérieur, dans un endroit bien ventilé. Assurez-vous de ne pas les exposer à une chaleur excessive ou les laisser en plein soleil.
- Ne rangez jamais votre bonbonne de gaz ou la bonbonne de gaz de rechange dans le meuble de votre appareil.
- Lorsque vous utilisez la bonbonne de gaz, placez-la sur le chariot pour bonbonne à côté de l'appareil.
- Ne rangez jamais votre bonbonne de gaz de rechange près d'un appareil au gaz allumé.

- Après utilisation, fermez toujours l'alimentation en gaz de la bonbonne.
- Ne fumez jamais à proximité d'un appareil allumé ou près d'une bonbonne de gaz qu'elle soit vide ou pleine.



Si vous détectez une odeur de gaz, fermez immédiatement l'alimentation en gaz, éteignez toutes les flammes et ouvrez le couvercle de l'appareil. Si l'odeur persiste, appelez votre fournisseur de gaz ou les pompiers.

3.3 Sélection de l'emplacement adéquat

Utilisez l'appareil à l'extérieur uniquement. Son utilisation à l'intérieur, même dans un garage ou un abri de jardin, peut entraîner une intoxication au monoxyde de carbone.

Lors de la sélection d'un emplacement à l'extérieur, il faut toujours :

- Placer l'appareil à 3 mètres au moins de toute construction, dans un endroit ouvert et bien ventilé.
- S'assurer que l'air circule bien au niveau des brûleurs et des trous d'aération du meuble à tout moment.
- S'assurer que l'appareil n'est pas sous une structure couverte (un porche, un abri...) ou sous le feuillage.
- Poser l'appareil sur une surface ferme et stable. Ne jamais le placer dans un véhicule en mouvement (un bateau, une caravane...).

3.4 Appel au bon sens

Faites toujours appel à votre bon sens lorsque vous utilisez l'appareil :

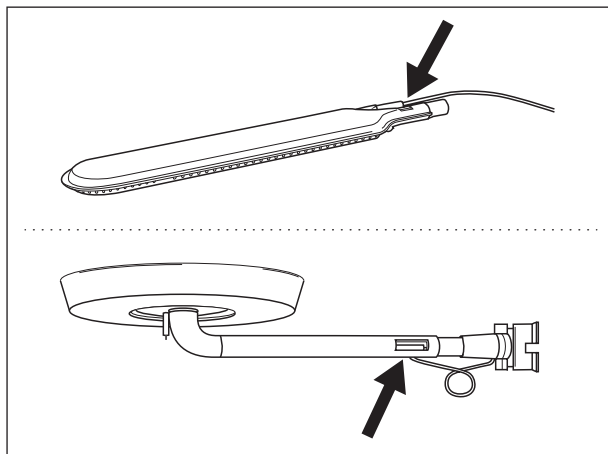
- Utilisez-le toujours à l'extérieur.
- Ne déplacez pas l'appareil en cours d'utilisation.
- Ne laissez pas l'appareil sans surveillance lorsqu'il est allumé, spécialement en présence d'enfants ou d'animaux de compagnie.
- AVERTISSEMENT ! Certaines parties accessibles peuvent devenir très chaudes. Gardez les enfants à distance.
- Protégez-vous de façon adéquate lorsque vous manipulez des éléments chauds (couvercle, gril, etc.).
- Lorsque l'appareil est allumé, éloignez toute matière inflammable.
- Conservez les matières et les liquides inflammables ainsi que les objets solubles à l'écart de l'appareil en cours d'utilisation.
- N'utilisez pas de bois, de charbon, de pierres de lave ou de briquettes en céramique dans un appareil au gaz.
- N'utilisez pas l'appareil si vous êtes sous l'influence de l'alcool ou de drogues.
- Ne modifiez pas l'appareil.

4 CONCEPTS RÉCURRENTS

Cette partie définit des concepts moins courants. Ces concepts sont utilisés dans plusieurs sections de ce mode d'emploi.

4.1 Venturis

Les venturis sont des petits tubes fixés à l'entrée des brûleurs. À côté des venturis, il y a un trou. Cela est visible sur les brûleurs principaux et sur le brûleur latéral :



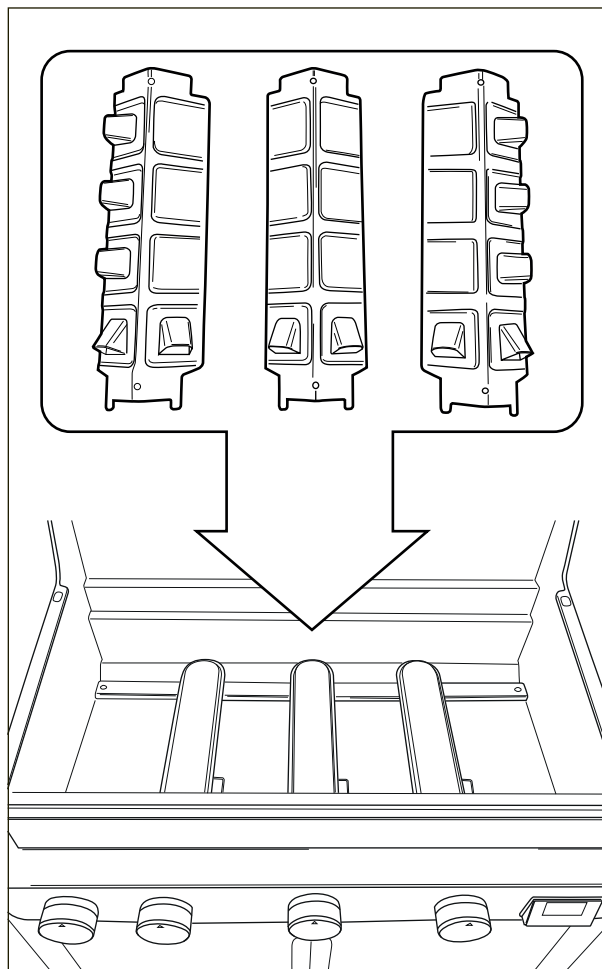
Lorsque le gaz se fraye un passage vers les brûleurs, il passe à travers les venturis. Grâce aux trous sur les côtés, le gaz se mélange à l'air, et par conséquent à l'oxygène. Cela est nécessaire pour que les brûleurs s'allument de façon adéquate : seul un bon dosage de gaz et d'oxygène permettra un allumage adéquat et de belles flammes.

4.2 Les chapeaux de brûleurs

Les chapeaux de brûleurs sont les pièces que vous avez placées sur les brûleurs de votre appareil. Ils protègent les brûleurs des écoulements de graisse et ils sont essentiels au fonctionnement du Turbo Heating System. Les trous sur le dessus, de chaque côté des chapeaux distribuent la chaleur sur le gril qui ainsi chauffe plus rapidement et de manière plus uniforme.



Faites particulièrement attention aux chapeaux des brûleurs lorsque vous assemblez votre appareil. Le Turbo Heating System peut fonctionner de façon adéquate uniquement si chaque chapeau est placé sur le brûleur qui lui correspond.



4.3 Émail

Certains éléments de l'appareil sont couverts d'une couche de matière vitrifiée appliquée par fusion, appelée émail. Cet émail protège de la corrosion le métal sous-jacent. L'émail est une matière de grande qualité : il résiste à la rouille, ne s'altère pas sous l'influence des hautes températures et est très facile à entretenir.



Étant donné que l'émail est moins flexible que le métal qu'il recouvre, il est possible que l'émail s'écaille si vous ne manipulez pas l'appareil correctement. Pour éviter tout problème, faites attention lors de l'assemblage des éléments en émail et entretenez toujours l'émail comme indiqué un peu plus loin dans ce mode d'emploi.

4.4 Flammes vives

Les flammes vives sont des flammes soudaines qui surgissent de la cuve lorsque vous grillez. Elles sont généralement causées par des écoulements de graisse ou de marinade.

5 ASSEMBLAGE DE L'APPAREIL


5.1 Consignes de sécurité


- Ne modifiez pas l'appareil lors de son assemblage. Il est interdit car très dangereux de modifier des éléments pré-assemblés et/ou scellés par le fabricant.
- Suivez toujours attentivement les instructions d'assemblage.
- L'utilisateur est tenu responsable de l'assemblage adéquat de l'appareil. Les dommages résultant d'un assemblage incorrect ne sont pas couverts par la garantie.

5.2 Pour assembler l'appareil

Vous avez besoin d'un tournevis cruciforme, d'un tournevis plat et d'une pile AA (pour l'allumeur électrique). Si votre appareil possède un brûleur pour rôtisserie, vous avez également besoin de deux piles D (pour le moteur du brûleur pour rôtisserie). L'appareil est fourni sans les piles.

- 1 Posez l'appareil sur une surface plane et propre.
- 2 Assemblez l'appareil comme indiqué sur les dessins d'assemblage. Vous les trouverez dans la deuxième partie de ce mode d'emploi, après la vue éclatée de votre appareil.

 Faites attention lors de l'assemblage des éléments en émail. Les outils et les vis peuvent endommager l'émail. Utilisez des bagues en fibre pour protéger l'émail autour des vis.

 Les blisters peuvent contenir plus de vis que nécessaire. Il peut rester des vis après l'assemblage.


6 RACCORDER LE GAZ À L'APPAREIL


6.1 Quels bonbonne, tuyau et détendeur utiliser ?

Avant de pouvoir raccorder le gaz à l'appareil, vous devez acheter une bonbonne, un tuyau et un détendeur de pression. Achetez toujours des produits conformes à toutes les normes nationales, aux types de gaz et aux pressions nominales indiqués sur l'appareil.

Le tableau indique quels bonbonne, tuyau et détendeur vous devez utiliser. Par exemple, en Belgique (BE), vous pouvez utiliser une bonbonne de gaz propane avec un tuyau et un détendeur de 37 mbar ou une bonbonne de gaz butane avec un tuyau et un détendeur de 28 à 30 mbar.

Pays	Bonbonne, tuyau et détendeur
DK, GR, NO, SE, EE, LT, LV, CZ, PL, MT, HU, SI, SK	Propane, 30 mbar / butane, 30 mbar
ES, GB, IE, PT, BE, FR, LU, IT	Propane, 37 mbar / butane, de 28 à 30 mbar
NL	Propane, 30 ou 50 mbar / Butane, 30 mbar
CY	Propane, 30 ou 37 mbar / butane, de 28 à 30 mbar

 Nous recommandons de raccorder l'appareil au gaz propane. Le gaz propane offre une combustion de grande qualité et est moins sensible au gel.

 Achetez votre détendeur de pression et votre bonbonne de gaz en même temps. Les détendeurs ne s'adaptent pas à toutes les bonbonnes.

6.2 Consignes de sécurité


- Ne raccordez jamais la bonbonne directement à l'appareil. Fixez toujours un détendeur de pression sur la bonbonne en premier.
- Ne modifiez jamais des éléments de la bonbonne, du tuyau ou du détendeur de pression qui sont pré-assemblés ou scellés.
- Faites en sorte que le tuyau soit le plus court possible (500 - 650 mm maximum) pour éviter qu'il se traîne sur le sol.

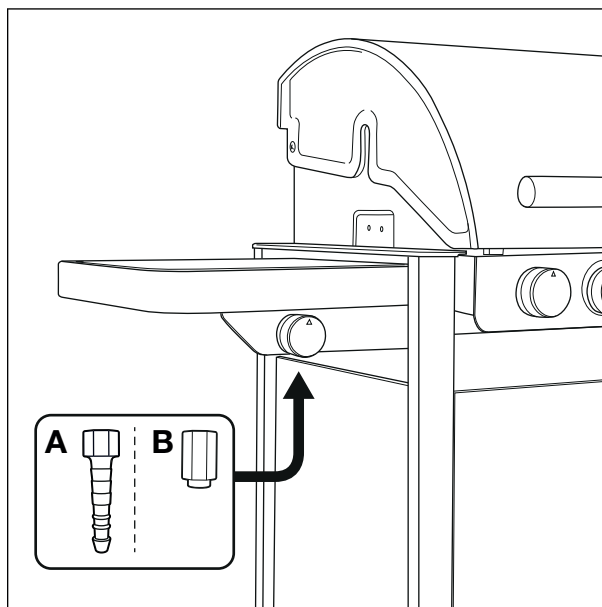
- Lorsque vous raccordez la bonbonne, le tuyau et le détendeur de pression :
 - Ne déformez jamais le tuyau.
 - Conservez toujours la bonbonne en position verticale.
 - N'ouvrez jamais l'alimentation en gaz.
- Vérifiez l'étanchéité à chaque fois que vous effectuez des changements sur le raccord de gaz. Veuillez consulter "7 Vérification de l'étanchéité au gaz".

6.3 Raccorder le tuyau à l'appareil

Pour raccorder le tuyau à gaz à l'appareil, vous devez fixer un manchon sur le tube à gaz de l'appareil. L'appareil vient avec deux manchons et tous deux sont destinés à des pays spécifiques :

Pays	Manchon
BE, CH, CZ, DK, ES, FI, GB, IE, IT, PT, SI	Manchon A
FR	Manchon B

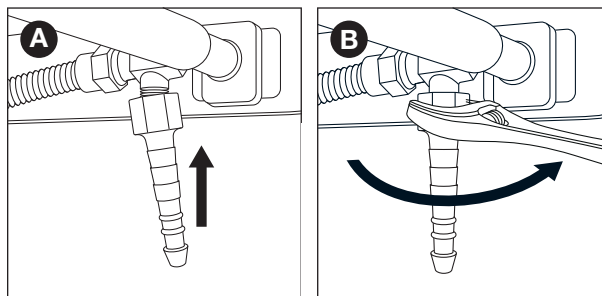
 Si votre pays n'apparaît pas dans le tableau, veuillez utiliser le manchon conforme aux normes nationales.



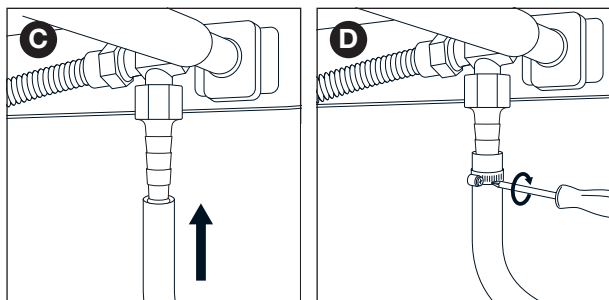
6.3.1 MANCHON A

Vous avez besoin d'une clé de 19 mm et d'un tournevis cruciforme.

- 1 Vissez le manchon sur le tube à gaz de l'appareil (A) et serrez-le avec une clé de 19 mm (B).



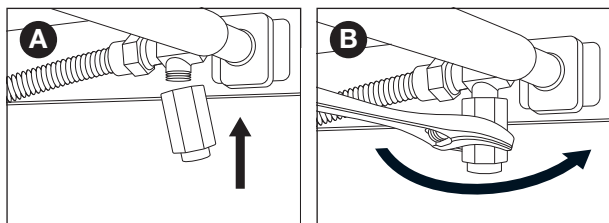
- 2 Faites glisser le tuyau par-dessus le manchon (C) et fixez la bague de serrage avec un tournevis cruciforme (D).



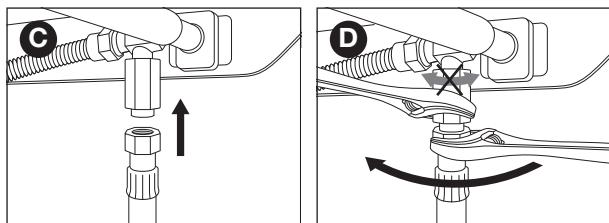
6.3.2 MANCHON B

Vous avez besoin d'une clé de 22 mm et d'une clé anglaise.

- 1 Vissez le manchon sur le tube à gaz de l'appareil (A) et serrez-le avec une clé de 22 mm (B).



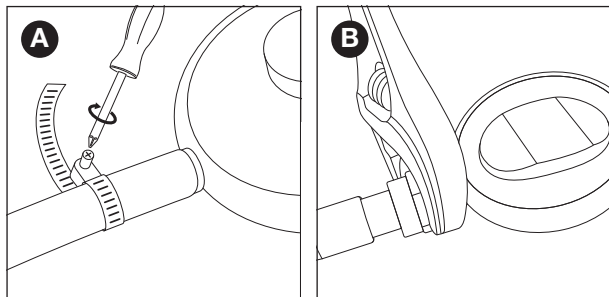
- 2 Vissez le tuyau à gaz sur le manchon (C) et serrez-le avec les deux clés. Maintenez le manchon avec la clé de 22 mm, tout en tournant le tuyau avec une clé anglaise (D).



6.4 Raccorder le tuyau et la bonbonne au détendeur

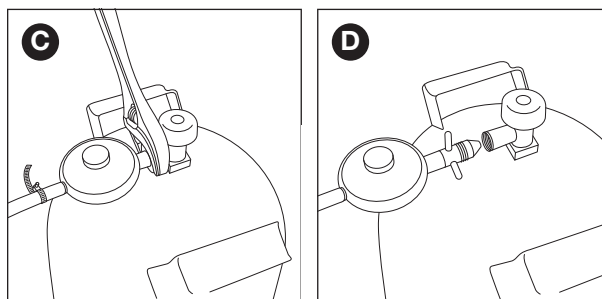
Selon le type de détendeur de pression que vous utilisez, vous avez besoin d'un tournevis cruciforme et/ou d'une clé anglaise.

- 1 Raccorder le tuyau au détendeur de pression. Effectuez l'une des actions suivantes :
- Si le tuyau a une bague de serrage, glissez le tuyau par-dessus le détendeur et fixez la bague de serrage avec un tournevis cruciforme (A).
 - Si le tuyau a un écrou, vissez le tuyau sur le détendeur et serrez l'écrou avec une clé anglaise (B).



- 2 Raccordez le détendeur de pression à la bonbonne de gaz. Effectuez l'une des actions suivantes :

- Si le tuyau a un écrou, vissez le détendeur sur la bonbonne dans le sens des aiguilles d'une montre et serrez l'écrou avec une clé anglaise (C).
- Si le détendeur a une vis filetée, vissez le détendeur sur la bonbonne dans le sens contraire des aiguilles d'une montre (D).



6.5 Remplacement de la bonbonne

- 1 Fermez l'alimentation en gaz et placez tous les boutons de réglage sur OFF.
- 2 Retirez la bonbonne vide et placez une bonbonne pleine.
- 3 Vérifiez la bonbonne, ainsi que l'étanchéité du tuyau et de tous les raccords de gaz. Veuillez consulter "7 Vérification de l'étanchéité au gaz".

7 VÉRIFICATION DE L'ÉTANCHÉITÉ AU GAZ

7.1 Pourquoi vérifier l'étanchéité au gaz ?

Les gaz propane et butane sont plus lourds que l'air. Par conséquent, ils ne se disperseront pas en cas de fuite de l'appareil. Cela est particulièrement le cas par temps non venteux car une fuite peut créer une accumulation de gaz autour de l'appareil. Avec une telle accumulation, le gaz peut s'enflammer ou exploser.

7.2 Quand vérifier l'étanchéité au gaz ?

- Avant une première utilisation ou une nouvelle utilisation après une longue période d'interruption.
- ⚠ Vérifiez l'étanchéité au gaz même si votre appareil a été assemblé par votre distributeur.
- À chaque fois que vous remplacez un élément en contact avec le gaz.
- Au moins une fois par an, de préférence au début de la belle saison.

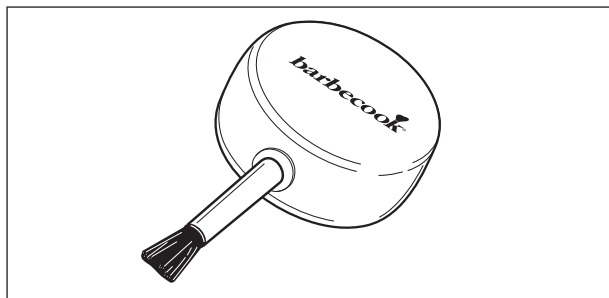
7.3 Consignes de sécurité

- Placez l'appareil à l'extérieur, dans un endroit bien ventilé. Assurez-vous qu'il n'y a aucune flamme ou source de chaleur à proximité de l'appareil.
- N'utilisez jamais un briquet ou une allumette pour vérifier de potentielles fuites de gaz.
- Ne fumez pas et n'allumez pas les brûleurs lorsque vous êtes en train de vérifier l'étanchéité.

7.4 De quels produits ai-je besoin ?

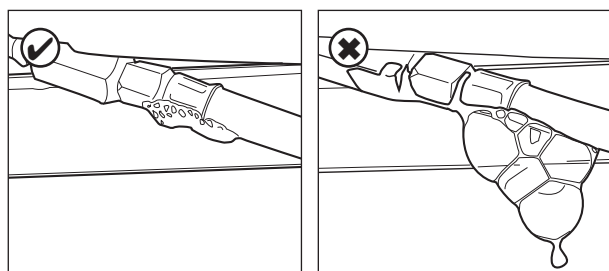
Pour détecter les fuites de gaz, vous avez besoin :

- D'un liquide d'essai. Vous pouvez utiliser un spray de détection des fuites prêt à l'emploi ou un mélange d'eau (50 %) et de liquide vaisselle (50 %).
- De l'outil d'essai fourni avec votre appareil. Vous pouvez l'utiliser pour aspirer le liquide d'essai et pour l'appliquer sur les éléments et le raccord en contact avec le gaz que vous souhaitez vérifier.



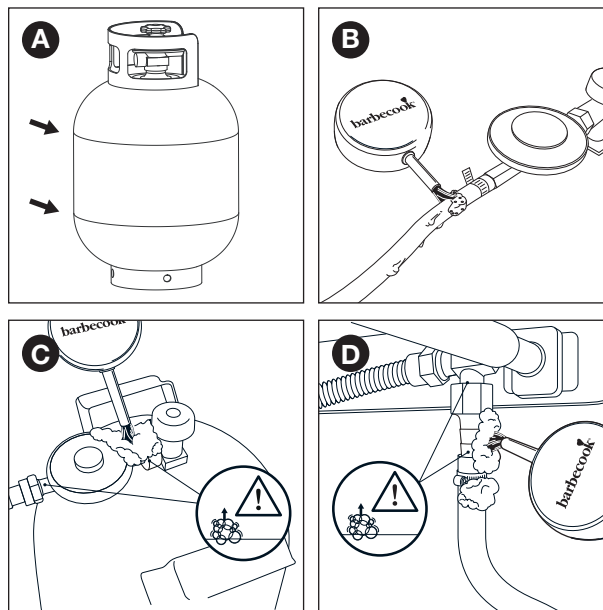
7.5 Vérifier l'étanchéité au gaz

Vous devez vérifier l'étanchéité au gaz en appliquant un liquide d'essai sur tous les éléments et les raccords en contact avec le gaz. Si des bulles se gonflent sur un élément ou un raccord en particulier, il y a une fuite de gaz :



Pour vérifier l'étanchéité au gaz, procédez comme suit :

- 1 Placez l'appareil à l'extérieur.
- 2 Munissez-vous de votre outil de contrôle et de votre liquide d'essai (spray de détection des fuites ou un mélange d'eau et de liquide vaisselle).
- 3 Ouvrez le couvercle et placez tous les boutons de réglage sur OFF.
- 4 Ouvrez légèrement l'alimentation en gaz. Tournez la vanne de la bonbonne de gaz une fois seulement.
- 5 Aspirez un peu de liquide d'essai avec l'outil de contrôle et appliquez le liquide sur la zone que vous voulez vérifier. Vous devez vérifier :
 - Les soudures de la bonbonne de gaz (A)
 - Le tuyau (B)
 - Les raccords entre la bonbonne et le détendeur de pression, et entre le détendeur de pression et le tuyau (C)
 - Le raccord entre le tuyau et l'appareil (D)



i Votre détendeur de pression et le manchon peuvent être différents de ceux représentés sur les illustrations.

6 Effectuez l'une des actions suivantes :

- Si vous détectez une fuite, continuez en procédant comme indiqué dans la section " En cas de fuite de gaz".
- Si vous n'avez pas détecté de fuite, fermez l'alimentation en gaz, rincez minutieusement tous les éléments à l'eau et essuyez-les bien.

7.6 En cas de fuite de gaz

- 1 Fermez l'alimentation en gaz et effectuez une des actions suivantes :
 - Si vous détectez une fuite sur un des raccords, serrez ce raccord.
 - Si vous détectez une fuite sur la bonbonne ou le tuyau, remplacez la bonbonne ou le tuyau.
- 2 Revérifiez le raccord et l'élément sur lequel vous détectez la fuite.
- 3 Si la fuite n'est pas réparée, veuillez contacter un distributeur Barbecue. N'utilisez pas l'appareil tant que la fuite n'est pas réparée.

💡 Pour voir la liste des distributeurs proches de Barbecue chez vous, veuillez visiter www.barbecue.com.

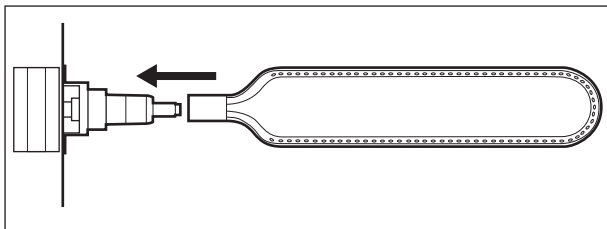
8 PRÉPARATION AVANT D'UTILISER L'APPAREIL

8.1 Avant chaque utilisation

À chaque utilisation, assurez-vous que :

- L'appareil est placé à un endroit adéquat. Veuillez consulter "3.3 Sélection de l'emplacement adéquat".
- Le tuyau à gaz ne traîne pas au sol et qu'il ne peut pas entrer en contact avec une surface chaude ou un écoulement de graisse.
- La cuve est propre. Nous vous recommandons de placer une nouvelle feuille Leaf® dans la cuve avant chaque utilisation. Veuillez consulter "11.2 Nettoyage de la cuve".
- Les brûleurs et les venturis ne sont pas obstrués par des nids d'insecte ou des toiles d'araignées. Veuillez consulter "11.3 Nettoyage des brûleurs et des venturis".

- L'appareil est assemblé correctement. Faites particulièrement attention aux :
 - Chapeaux des brûleurs. Chaque chapeau doit être placé au-dessus du brûleur adéquat. Veuillez consulter "4.2 Les chapeaux de brûleurs".
 - Venturis et brûleurs. Ils doivent être placés sur les ouvertures des vannes de gaz.



- Si vous voulez être absolument certain que votre raccord de gaz est sûr, vous pouvez vérifier l'étanchéité au gaz de votre appareil avant chaque utilisation. Veuillez consulter "7 Vérification de l'étanchéité au gaz".

8.2 Avant une nouvelle utilisation (après une longue période d'interruption)

Si vous utilisez l'appareil pour la première fois ou si vous le réutilisez après une longue période d'interruption, vous devez effectuer les vérifications suivantes :

- Assurez-vous d'avoir lu, compris et vérifié toutes les instructions de ce mode d'emploi (avant la toute première utilisation).
- Vérifiez l'étanchéité au gaz de l'appareil. Veuillez consulter "7 Vérification de l'étanchéité au gaz".

- ⚠ Vérifiez l'étanchéité au gaz même si votre appareil a été assemblé par votre distributeur.

- Nettoyez les brûleurs et les venturis (avant une nouvelle utilisation après une longue période d'interruption). Veuillez consulter "11.3 Nettoyage des brûleurs et des venturis".
- Faites brûler les résidus de fabrication avant de déposer vos aliments (avant la toute première utilisation). Veuillez consulter "8.3 Brûler les résidus de fabrication de l'appareil".

8.3 Brûler les résidus de fabrication de l'appareil

En faisant brûler les résidus avant la première utilisation, vous éliminez de l'appareil toutes les graisses de fabrication restantes. Procédez comme suit :

- 1 Allumez les brûleurs principaux et placez leurs boutons de réglage sur HIGH. Veuillez consulter "9.2 Allumage des brûleurs principaux".
- 2 Fermez le couvercle et faites brûler les résidus de fabrication de l'appareil pendant 15 minutes. Ne placez pas encore les aliments sur le gril.
- 3 Au bout de 15 minutes, ouvrez le couvercle et laissez les résidus de fabrication de l'appareil brûler pendant 5 minutes supplémentaires (avec les boutons de réglage toujours sur HIGH).
- 4 Au bout de 5 minutes, l'appareil est prêt à être utilisé. Vous pouvez maintenant placer les aliments sur le gril.

9 ALLUMAGE DES BRÛLEURS

- Pour allumer les brûleurs avec l'allumeur électrique, vous devez placer une pile AA dans l'allumeur. La pile n'est pas fournie avec l'appareil. Vous trouverez l'emplacement pour la pile de l'allumeur à l'intérieur du meuble de votre appareil.

9.1 Consignes de sécurité

- Avant d'allumer l'appareil, effectuez toutes les vérifications listées dans "8 Préparation avant d'utiliser l'appareil".
- Assurez-vous que le couvercle est toujours ouvert lorsque vous allumez un brûleur.
- Ne vous penchez jamais au-dessus d'un brûleur lorsque vous l'allumez.

9.2 Allumage des brûleurs principaux

9.2.1 UTILISATION DE L'ALLUMEUR

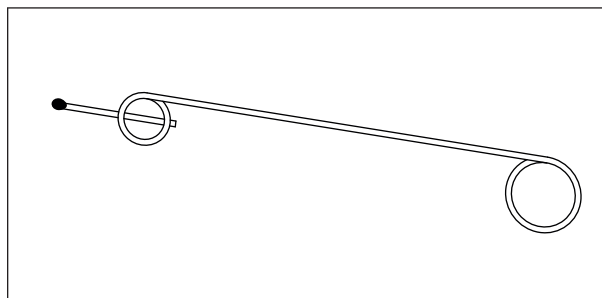
- 1 Ouvrez le couvercle et placez les boutons de réglage des brûleurs principaux sur OFF.
- 2 Si aucun autre brûleur n'est allumé, ouvrez l'alimentation en gaz et attendez 10 secondes. Cela permet au gaz de se stabiliser.
- 3 Appuyez sur le bouton de réglage d'un brûleur, placez-le sur HIGH et maintenez-le enfoncé un instant. L'allumeur intégré produira des étincelles, qui allumeront le brûleur.

- ⚠ Commencez toujours par l'allumage d'un des brûleurs principaux. N'allumez jamais tous les brûleurs principaux en même temps.

- 4 Si le brûleur ne s'allume pas après trois tentatives, placez son bouton de réglage sur OFF, fermez l'alimentation en gaz et attendez 5 minutes. Cela permet au gaz accumulé de se dissiper.
- 5 Essayez d'allumer le brûleur à nouveau. S'il ne s'allume toujours pas, essayez de l'allumer avec une allumette ou consultez "14 Dépannage" pour déterminer la cause du problème.

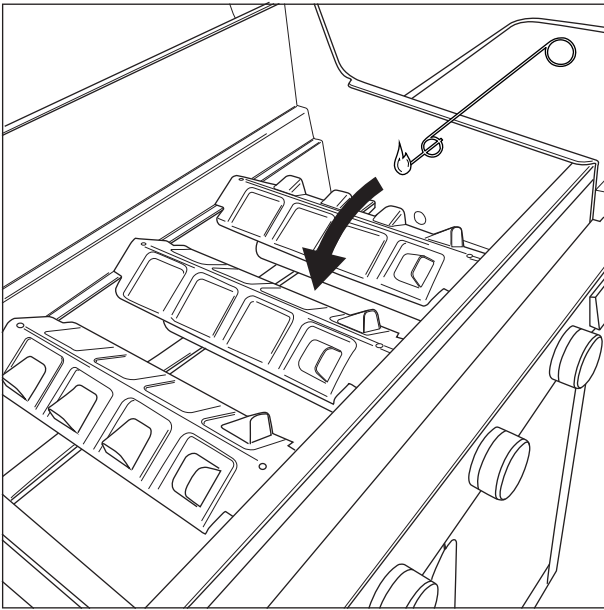
9.2.2 UTILISATION D'UNE ALLUMETTE

- 1 Placez une allumette dans le support à allumette.




- 2 Ouvrez le couvercle et placez les boutons de réglage des brûleurs principaux sur OFF.
- 3 Si aucun autre brûleur n'est allumé, ouvrez l'alimentation en gaz et attendez 10 secondes. Cela permet au gaz de se stabiliser.

- 4 Allumez l'allumette et maintenez-la à environ 13 mm du brûleur.




- 5 Placez le bouton de réglage d'un brûleur sur HIGH.

 Commencez toujours par l'allumage d'un des brûleurs principaux. N'allumez jamais tous les brûleurs principaux en même temps.

- 6 Si le brûleur ne s'allume pas dans les 5 secondes, placez son bouton de réglage sur OFF, fermez l'alimentation en gaz et attendez 5 minutes. Cela permet au gaz accumulé de se dissiper.
- 7 Essayez d'allumer le brûleur à nouveau. S'il ne s'allume toujours pas, veuillez consulter "14 Dépannage" pour déterminer la cause du problème.

9.3 Allumage du brûleur latéral

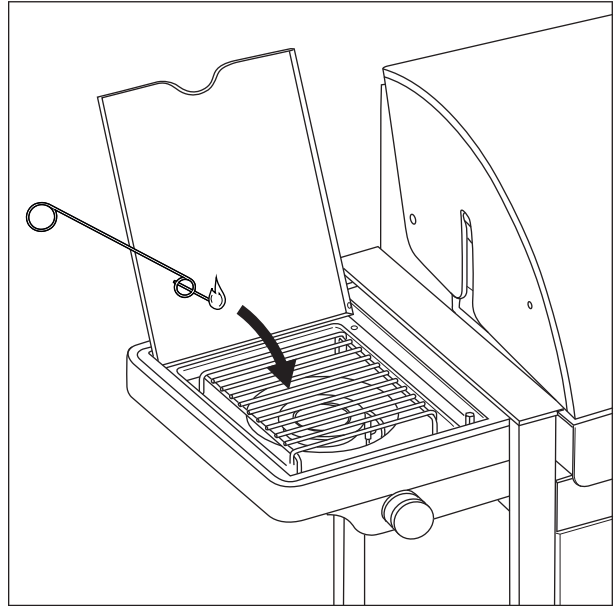
 Le brûleur latéral ne peut pas supporter des récipients de cuisson dépassant 9 kg et 220 mm de diamètre.

9.3.1 UTILISATION DE L'ALLUMEUR

- 1 Ouvrez le couvercle et placez le bouton de réglage du brûleur latéral sur OFF.
- 2 Si aucun autre brûleur n'est allumé, ouvrez l'alimentation en gaz et attendez 10 secondes. Cela permet au gaz de se stabiliser.
- 3 Appuyez sur le bouton de réglage du brûleur latéral, placez-le sur HIGH et maintenez-le enfoncé un instant. L'allumeur intégré produira des étincelles, qui allumeront le brûleur latéral.
- 4 Si le brûleur ne s'allume pas après trois tentatives, placez son bouton de réglage sur OFF, fermez l'alimentation en gaz et attendez 5 minutes. Cela permet au gaz accumulé de se dissiper.
- 5 Réessayez d'allumer le brûleur latéral. S'il ne s'allume toujours pas, essayez de l'allumer avec une allumette ou consultez "14 Dépannage" pour déterminer la cause du problème.

9.3.2 UTILISATION D'UNE ALLUMETTE

- 1 Placez une allumette dans le support à allumette.
- 2 Ouvrez le couvercle et placez le bouton de réglage du brûleur latéral sur OFF.
- 3 Si aucun autre brûleur n'est allumé, ouvrez l'alimentation en gaz et attendez 10 secondes. Cela permet au gaz de se stabiliser.
- 4 Allumez l'allumette et maintenez-la à environ 13 mm du brûleur latéral.



- 5 Placez le bouton de réglage du brûleur latéral sur HIGH.
- 6 Si le brûleur latéral ne s'allume pas dans les 5 secondes, placez son bouton de réglage sur OFF, fermez l'alimentation en gaz et attendez 5 minutes. Cela permet au gaz accumulé de se dissiper.
- 7 Réessayez d'allumer le brûleur latéral. S'il ne s'allume toujours pas, veuillez consulter "14 Dépannage" pour déterminer la cause du problème.

9.4 Éteindre les brûleurs

Si vous n'utilisez plus les brûleurs, vous devez les éteindre. Procédez comme suit :

- 1 Fermez l'alimentation en gaz.
- 2 Placez les boutons de réglage des brûleurs sur OFF.



En fermant d'abord l'alimentation en gaz, vous vous assurez qu'il n'y a plus de gaz qui circule dans l'appareil.

9.5 Rallumage des brûleurs

Si un brûleur s'éteint en cours d'utilisation, procédez comme suit :

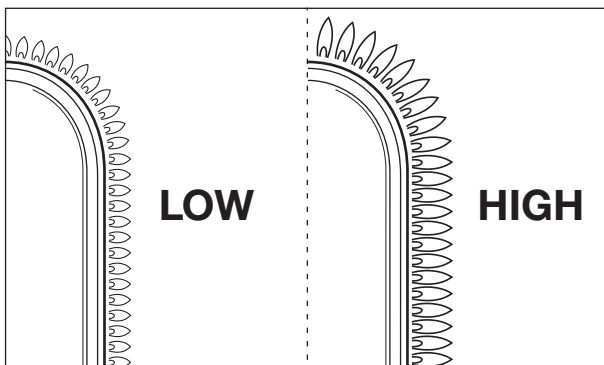
- 1 Ouvrez le couvercle et fermez l'alimentation en gaz.
- 2 Placez les boutons de réglage sur OFF et attendez 5 minutes. Cela permet au gaz accumulé de se dissiper.
- 3 Rallumez le(s) brûleur(s).

9.6 Vérifier les flammes

À chaque fois que vous allumez un brûleur, vous devez vérifier ses flammes. Une flamme parfaite est presque entièrement bleue et un peu jaune sur le dessus. Il est normal et sans danger que de façon sporadique les flammes sont jaunes.

Si les flammes semblent anormales, effectuez une des actions suivantes pour résoudre le problème :

Si les flammes sont...	Effectuez l'action suivante...
Faibles et entièrement jaunes	<ol style="list-style-type: none">1 Fermez immédiatement l'alimentation en gaz et placez tous les boutons de réglage sur OFF.2 Veuillez consulter "14 Dépannage" pour déterminer la cause du problème. Il est possible que les venturis soient obstrués.
Dépassent de la cuve	<ol style="list-style-type: none">1 Fermez immédiatement l'alimentation en gaz et placez tous les boutons de réglage sur OFF.2 Attendez 5 minutes pour que le gaz accumulé se dissipe.3 Rallumez le(s) brûleur(s).4 Si le problème persiste, veuillez consulter "14 Dépannage" pour déterminer la cause du problème.



10 CONSEILS PRATIQUES ET ASTUCES

10.1 Préchauffer l'appareil

En préchauffant votre appareil, vous vous assurez que le gril est assez chaud avant de mettre les aliments dessus. Procédez comme suit :

- 1 Allumez le(s) brûleur(s) et placez le(s) bouton(s) de réglage sur HIGH.
- 2 Fermez le couvercle et laissez l'appareil ainsi pendant dix minutes.
- 3 Après dix minutes, ouvrez le couvercle et déposez vos aliments sur le gril.
- 4 Si vous avez ensuite besoin de moins de chaleur, placez le(s) bouton(s) de réglage sur une position inférieure.

10.2 Empêcher que les aliments ne collent


Pour empêcher que les aliments ne collent à la grille :

- Huilez légèrement les aliments avec un pinceau avant de les placer sur la grille. Vous pouvez également enduire le gril d'huile.
- Préchauffez l'appareil. Plus la grille sera chaude lorsque vous y placerez les aliments, moins les aliments colleront.
- Ne retournez pas les aliments trop rapidement. Laissez-les d'abord emmagasiner de la chaleur.

10.3 Griller directement et indirectement

Selon les types d'aliments que vous préparez et la manière dont vous souhaitez les préparer, vous pouvez les griller directement ou indirectement :


Méthode	Description	Utilisation
Directement	Placez les aliments directement au-dessus d'un brûleur allumé, réglez le brûleur concerné sur la position High et ouvrez le couvercle.	Pour saisir la viande et les légumes
Indirectement	Placez les aliments à côté d'un brûleur allumé, réglez le brûleur concerné sur la position Medium/Low et ouvrez le couvercle.	Pour cuire davantage une viande saisie

 Lorsque vous faites griller des aliments avec le couvercle fermé, surveillez le thermomètre du couvercle et assurez-vous que l'appareil ne surchauffe pas. Veuillez consulter "10.5 Visualiser la température".

10.4 Faire griller avec le couvercle fermé

Fermer le couvercle pour faire griller comportent un certain nombre d'avantages :


- La température du gril est plus élevée et reste constante.
- Vous réduisez le temps de cuisson de vos aliments et ces derniers sont plus juteux.
- Vous réduisez les flammes vives et économisez du gaz.

 Lorsque vous faites griller des aliments avec le couvercle fermé, surveillez le thermomètre du couvercle et assurez-vous que l'appareil ne surchauffe pas. Veuillez consulter "10.5 Visualiser la température".

10.5 Visualiser la température

Votre appareil est équipé de brûleurs puissants, par conséquent il chauffe rapidement et vous pouvez garder la température constante. Lorsque vous grillez sous un couvercle fermé, vous devez vous assurer que l'appareil ne surchauffe pas. Surveillez le thermomètre du couvercle et suivez les recommandations suivantes :

- Une température de cuisson normale se situe autour de 210 °C. À des températures plus élevées, la graisse qui s'écoule et s'accumule peut s'enflammer.
- La température ne devrait jamais dépasser les 300 °C plus de 5 minutes. Cela peut endommager et déformer l'appareil.

 Si l'appareil surchauffe, refroidissez-le en ouvrant le couvercle et en réglant les brûleurs sur une position moins élevée.

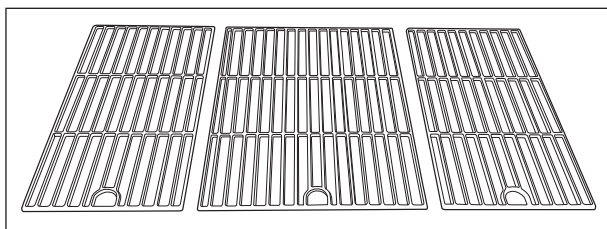
10.6 Utilisation optimale de la chaleur

La partie centrale de la cuve est plus chaude que les côtés. Pour vous permettre d'utiliser la partie la plus chaude à son potentiel maximum, l'appareil est équipé de grils de différentes tailles.

L'appareil est fourni avec :

- Un grand grill, à placer au centre de la cuve.
- Deux grils plus petits, à placer de chaque côté de la cuve.


Si vous placez les grils correctement sur la cuve et allumez tous les brûleurs, le grill central sera chauffé sur toute sa surface au maximum. Ainsi, vous augmentez la partie la plus chaude de la cuve et vous pouvez utiliser de façon optimale la surface du grill de votre appareil.



10.7 Tirer profit des zones de chaleur

Lorsque les brûleurs sont allumés, leurs chapeaux distribuent la chaleur sur le grill le plus uniformément possible. Mais malgré ce chauffage uniforme, certaines zones restent plus chaudes que d'autres. Vous pouvez tirer profit de ces zones de chaleur pour faire griller vos aliments de manière optimale :

Zone	Niveau de chaleur	À utiliser pour...
Avant	Chaud	Faire griller les aliments délicats (crevettes, poissons...)
Centre	Plus chaud	Pour préparer les aliments qui nécessitent une cuisson plus longue (ex : saucisses, cuisses de poulet...)
Arrière	Chaleur max.	Pour saisir la viande et les légumes

 Vous pouvez également créer des zones de chaleur en réglant la puissance des brûleurs. Par exemple, vous pouvez régler un brûleur sur une position moins élevée et utiliser la zone au-dessus du brûleur concerné pour les aliments délicats ou ceux qui nécessitent un certain temps de cuisson.

10.8 Éviter les flammes vives

Lorsque vous grillez, il est normal que quelques flammes vives apparaissent. Cependant, un trop grand nombre de flammes vives augmentent la température dans l'appareil et peuvent enflammer la graisse accumulée. Pour éviter les flammes vives :

- Assurez-vous que la cuve est propre lorsque vous commencez à griller. Nous vous recommandons de placer une nouvelle feuille Leaf® dans la cuve avant chaque utilisation. Veuillez consulter "11.2 Nettoyage de la cuve".
- Vérifiez régulièrement que le trou d'évacuation de la graisse n'est pas obstrué et que le plateau ou la coupe de récupération de graisse ne sont pas pleins.
- Lorsque vous faites griller des viandes grasses, coupez l'excédent de gras, fermez le couvercle et placez les brûleurs en position moyenne ou faible.

11 ENTRETIEN DE L'APPAREIL


11.1 Nettoyage de la grille

Nous recommandons le nettoyage de la grille après chaque utilisation, avec le Barbecue cleaner. Procédez comme suit :

- 1 Pulvérisez la mousse sur la grille et laissez-la agir un petit moment.


La mousse se colore car elle absorbe la poussière et les graisses.

- 2 Essuyez la mousse avec une éponge douce et de l'eau, puis rincez minutieusement la grille.
- 3 Séchez la grille et rangez-la au sec. Cela évitera la formation de rouille.

 Vous pouvez également nettoyer la grille avec un détergent doux ou du bicarbonate de soude. N'utilisez jamais de décapants four pour nettoyer la grille.

11.2 Nettoyage de la cuve

Nous recommandons le nettoyage de la cuve après chaque utilisation. La solution la plus simple est de placer une feuille Leaf® dans la cuve avant de commencer à griller. La feuille Leaf® est une feuille qui s'adapte parfaitement à la cuve et qui permet de récupérer tous les résidus de graisse. Une fois que l'appareil est refroidi, vous n'avez qu'à retirer la Leaf® et la cuve est propre.

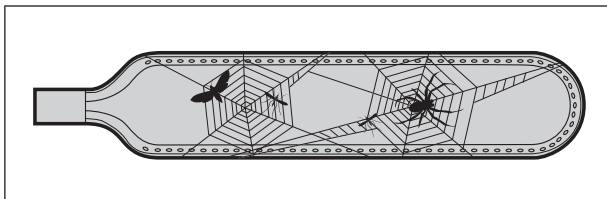
 Enregistrez votre appareil sur www.barbecue.com et trouvez le type de feuille Leaf® dont vous avez besoin.


11.3 Nettoyage des brûleurs et des venturis

11.3.1 POURQUOI NETTOYER LES BRÛLEURS ET LES VENTURIS ?

Il est possible que des araignées et des insectes tissent des toiles ou fassent des nids dans les brûleurs et les venturis. Cela peut obstruer l'alimentation des brûleurs en gaz. De ce fait :

- Vous ne pouvez pas allumer les brûleurs. Si vous parvenez malgré tout à les allumer, ils ne produiront que des flammes fumeuses et jaunes.
- Le gaz peut commencer à brûler en dehors des venturis, au niveau des boutons de réglage. Ces combustions sont appelées des retours de flamme et ces derniers peuvent causer des blessures graves et endommager le matériel.



 Les dommages résultant de brûleurs et de venturis obstrués sont considérés comme étant la conséquence d'un entretien inadéquat et ne sont pas couverts par la garantie.

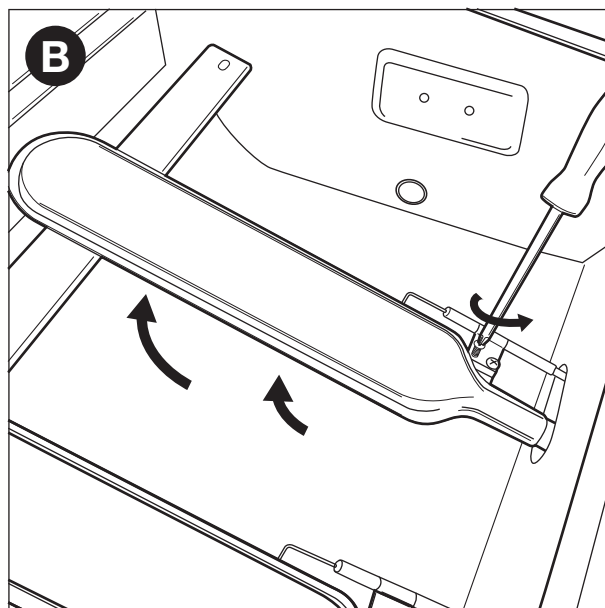
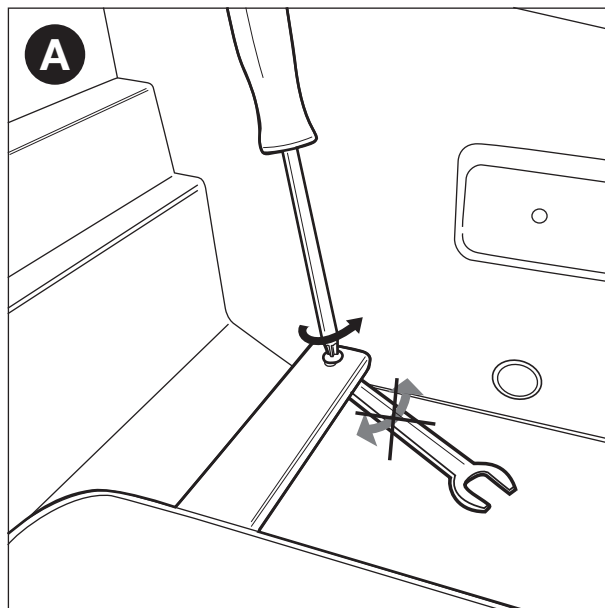
11.3.2 QUAND NETTOYER LES BRÛLEURS ET LES VENTURIS ?

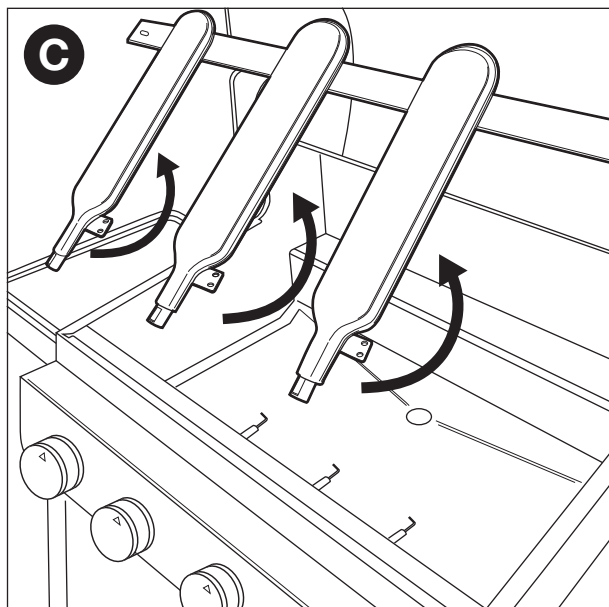
Vous devez nettoyer les brûleurs et les venturis de votre appareil :

- Avant une nouvelle utilisation après une longue période d'interruption.
- Au moins deux fois par an, dont une au début de la belle saison.

11.3.3 NETTOYER LES BRÛLEURS ET LES VENTURIS

- 1 Retirez les brûleurs de l'appareil comme indiqué sur les illustrations. Si vous constatez qu'un brûleur est endommagé, vous devez le remplacer.







- 2 Nettoyez les brûleurs et les venturis avec une petite brosse ou un cure-pipe fabriqué maison (un trombone déplié, un petit goupillon...).
- 3 Remplacez les brûleurs. Veillez à placer les venturis sur les ouvertures des vannes de gaz.

11.4 Entretien des éléments en émail, en acier inoxydable, et des revêtements de peinture en poudre

L'appareil est constitué d'éléments en émail, en acier inoxydable, et de revêtements de peinture en poudre. Chaque matière doit être entretenue différemment :

Matière	Comment entretenir cette matière
Émail	<ul style="list-style-type: none"> • N'utilisez pas d'objets pointus et évitez tout choc contre une surface dure. • Évitez tout contact avec des liquides froids lorsque l'appareil est encore chaud. • Vous pouvez utiliser des éponges métalliques et des détergents abrasifs.
Acier inoxydable	<ul style="list-style-type: none"> • N'utilisez pas de détergents corrosifs, abrasifs ou pour métaux. • Utilisez des détergents doux et laissez-les agir sur l'acier. • Utilisez une éponge ou un tissu doux. • Rincez minutieusement après le nettoyage et bien séchez bien avant de ranger.
Revêtements de peinture en poudre	<ul style="list-style-type: none"> • N'utilisez pas d'objets pointus. Utilisez des détergents non-abrasifs ainsi qu'une éponge ou un tissu doux. • Rincez minutieusement après le nettoyage et bien séchez bien avant de ranger.

 Pour empêcher la formation de rouille sur l'acier inoxydable, évitez tout contact avec le chlore, le sel ou le fer. Nous ne recommandons pas l'utilisation de l'appareil à proximité des côtes, des chemins de fer ou des piscines.

 Les dommages résultant du non respect des instructions suivantes comme l'entretien inadéquat ne sont pas couverts par la garantie.

Ci-dessous une vue éclatée de votre appareil (deuxième partie du mode d'emploi), vous trouverez une liste de toutes les pièces composant l'appareil. Cette liste inclut un symbole qui spécifie la matière de chaque pièce, ainsi vous pouvez l'utiliser pour vérifier la manière dont vous devez entretenir une pièce en particulier. La liste de pièces utilise les symboles suivants :

Symbole	Matière
●	Émail
■	Acier inoxydable
★	Revêtements de peinture en poudre

11.5 Ranger l'appareil

Si vous n'utilisez pas votre appareil pendant une période prolongée, rangez-le dans un endroit sec. Avant de ranger l'appareil :

- Déconnectez la bonbonne de gaz. Ne rangez jamais l'appareil à l'extérieur (pas même dans un garage ni un abri) tant que ce dernier est raccordé à la bonbonne de gaz.
- Nettoyez les brûleurs et les grils, essuyez-les avec un peu d'huile et enveloppez-les dans du papier.
- Si votre appareil est équipé d'un brûleur pour rôtissoire, retirez le moteur de ce dernier et rangez-le dans un endroit sec.
- Couvrez votre appareil avec une housse Barbecue. Enregistrez votre appareil sur www.barbecue.com et trouvez la housse adaptée à ce dernier.

11.6 Rangement des bonbonnes de gaz


Ces instructions s'appliquent à la fois aux bonbonnes vides et pleines.

- Rangez toujours les bonbonnes de gaz à l'extérieur, dans un endroit bien ventilé. Assurez-vous de ne pas les exposer à une chaleur excessive ou les laisser en plein soleil.
- Ne rangez jamais une bonbonne de gaz dans un endroit qui peut devenir très chaud (une voiture, un bateau, etc.).
- Ne rangez jamais votre bonbonne de gaz ou la bonbonne de gaz de rechange dans le meuble de votre appareil.
- Ne rangez jamais votre bonbonne de gaz de rechange près d'un appareil au gaz allumé.
- Rangez toujours les bonbonnes de gaz dans un endroit hors de la portée des enfants.
- Rangez et transportez toujours les bonbonnes de gaz en position verticale.

11.7 Commander des pièces de rechange

Les pièces en contact direct avec le feu ou une chaleur intense doivent être remplacées de temps en temps. Pour commander une pièce de rechange :

- 1 Cherchez le numéro de référence de la pièce dont vous avez besoin. Vous trouverez une liste avec tous les numéros de référence sous les vues éclatées dans la deuxième partie de ce mode d'emploi mais également sur www.barbecue.com.

 Si vous avez enregistré votre appareil en ligne, vous serez automatiquement dirigé vers la liste adéquate.

- 2 Commandez une pièce de rechange dans votre point de vente. Vous pouvez commander des pièces aussi bien pendant qu'après la période de garantie.

12 GARANTIE

12.1 Ce qu'elle couvre

Votre appareil vient avec une garantie de deux ans à partir de la date d'achat. La garantie couvre tous les défauts de fabrication, à condition que :

- Vous utilisez, assemblez, et entretenez votre appareil conformément aux instructions contenues dans ce mode d'emploi. Les dommages résultant d'une mauvaise utilisation, d'un assemblage incorrect ou d'un entretien inadéquat ne sont pas considérés comme des défauts de fabrication.
- Vous pouvez présenter le ticket de caisse et le numéro de série unique de votre appareil. Le numéro de série commerce par un « G » suivi de 15 chiffres. Vous pouvez le trouver :
 - Dans ce mode d'emploi et sur le kit de démarrage qui inclut ce mode d'emploi.
 - Sur l'emballage de l'appareil.
 - Sur l'étiquette précisant le type de l'appareil à l'intérieur de la porte du corps de l'appareil.
- Le service qualité Barbecue confirme que les pièces sont défectueuses et cela malgré une utilisation normale, un assemblage correct et un entretien adéquat.

Si les conditions citées précédemment ne sont pas respectées, vous ne pourrez pas être couvert. Dans tous les cas, la garantie se limite à la réparation et au remplacement de la ou des pièces défectueuses.

12.2 Ce qu'elle ne couvre pas

Les dommages et les défauts suivants ne sont pas couverts par la garantie :

- L'usure normale (rouille, déformation, décoloration...) des pièces directement exposées au feu ou à une chaleur intense. Il est normal de remplacer ces pièces au fil du temps.
- Les irrégularités visuelles sont inhérentes au processus de fabrication. Ces irrégularités ne sont pas considérées comme des défauts de fabrication.
- Tous les dommages résultant d'un entretien inadéquat, du rangement incorrect, d'un mauvais assemblage ou de modifications effectuées sur des pièces pré-assemblées.
- Tous les dommages résultant d'une utilisation abusive ou à mauvais escient de l'appareil (utilisation non conforme aux instructions de ce mode d'emploi, utilisation professionnelle...).
- Tous les dommages consécutifs résultant d'une utilisation inadaptée ou non conforme de l'appareil.
- La rouille ou la décoloration résultant d'influences externes, de l'utilisation de détergents corrosifs, de l'exposition au chlore... Ces dommages ne sont pas considérés comme des défauts de fabrication.

13 SPÉCIFICATIONS TECHNIQUES

13.1 Étiquette-type

L'étiquette-type énumère toutes les spécifications techniques de votre appareil. Vous pouvez le trouver :

- Dans la deuxième partie de ce mode d'emploi.
- Sur la porte du meuble, à l'intérieur.

13.2 Diamètre des injecteurs

- Brûleur principal : 0,991 mm
- Brûleur latéral : 0,88 mm

14 DÉPANNAGE

Problème	Cause(s) probable(s)	Solution(s)
Chaleur insuffisante	<ul style="list-style-type: none"> • L'alimentation en gaz est fermée • Les venturis ne sont pas placés sur les ouvertures des vannes de gaz • Les ouvertures des brûleurs sont obstruées • La bonbonne de gaz est (presque) vide • Le détendeur de pression n'est pas raccordé correctement à la bonbonne et/ou au tuyau 	<ul style="list-style-type: none"> • L'alimentation en gaz est ouverte • Placez les venturis sur les ouvertures des vannes de gaz • Nettoyez les ouvertures des brûleurs ou remplacez les brûleurs • Remplacez la bonbonne de gaz • Raccordez à nouveau le détendeur de pression à la bonbonne et/ou au tuyau
Chaleur excessive et/ou flammes vives	<ul style="list-style-type: none"> • Aliments trop gras • Trou d'évacuation de la graisse obstrué, présence de graisse dans la cuve et/ou sur les brûleurs • Les chapeaux des brûleurs ne sont pas placés correctement • Température trop élevée 	<ul style="list-style-type: none"> • Coupez l'excédent de gras ou réglez les brûleurs sur une position moins élevée • Nettoyez le trou d'évacuation de la graisse, la cuve et les brûleurs • Placez les chapeaux des brûleurs correctement • Réglez les brûleurs sur une température moins élevée et/ou faites griller les aliments indirectement
La chaleur n'est pas distribuée uniformément sur la surface du gril	<p>Certaines différences de température sont normales, veuillez consulter "11.6 Utilisation optimale de la chaleur" et "11.7 Tirer profit des zones de chaleur". Cause(s) probable(s) d'importantes différences de température :</p> <ul style="list-style-type: none"> • Les chapeaux des brûleurs ne sont pas placés correctement • L'appareil n'est pas préchauffé 	<ul style="list-style-type: none"> • Placez les chapeaux des brûleurs correctement • Préchauffez l'appareil
Flammes jaunes	<ul style="list-style-type: none"> • Brûleurs ou venturis obstrués • Présence de sel sur les brûleurs • Appareil raccordé au gaz butane 	<ul style="list-style-type: none"> • Nettoyez les brûleurs et les venturis • Nettoyez les brûleurs • Raccordez l'appareil au gaz butane en utilisant un détendeur de pression adapté
Flamme partielle	Brûleur obstrué, percé ou rouillé	Nettoyez ou remplacez le brûleur
Retours de flammes (flammes en dehors des venturis/au niveau des boutons de réglage)	Brûleurs ou venturis obstrués	<ol style="list-style-type: none"> 1 Fermez l'alimentation en gaz et réglez les brûleurs sur OFF. 2 Laissez refroidir l'appareil. 3 Nettoyez les brûleurs et les venturis.
Flammes dépassant le bord de la cuve	<ul style="list-style-type: none"> • Temps venteux • La bonbonne de gaz est (presque) vide • Présence de graisse dans la cuve et/ou sur les brûleurs 	<ul style="list-style-type: none"> • Placez l'appareil dos au vent • Remplacez la bonbonne de gaz • Nettoyez la cuve et les brûleurs et remplacez la feuille Leaf®
Le détendeur de pression bourdonne	<ul style="list-style-type: none"> • Temps chaud • Nouvelle bonbonne de gaz (pleine) 	Cela ne représente ni un danger ni un défaut. Cela devrait cesser automatiquement après un certain temps.
Les brûleurs émettent un sifflement lorsqu'ils sont réglés sur LOW	Injecteur de gaz, venturi et/ou brûleur encrassés	Nettoyez l'injecteur de gaz, le venturi et le brûleur
Impossible d'allumer le brûleur (ni avec l'allumeur, ni avec une allumette)	<ul style="list-style-type: none"> • Brûleur ou venturi obstrués • Pas d'alimentation en gaz 	<ul style="list-style-type: none"> • Nettoyez le brûleur et le venturi • Ouvrez l'alimentation en gaz et enfoncez le bouton de sécurité sur détendeur de pression (pas présent sur tous les détendeurs)
Impossible d'allumer le brûleur avec l'allumeur	<ul style="list-style-type: none"> • Absence de pile ou pile mal placée • Câblage de l'allumeur mal branché • Électrode endommagée • Mauvaise mise à la terre • Allumeur défectueux 	<ul style="list-style-type: none"> • (Re)placez la batterie, en respectant les bornes • Vérifiez et ré-assemblez tous les fils de l'allumeur • Remplacez l'électrode • Vérifiez et ré-assemblez les électrodes, les brûleurs et l'allumeur • Remplacez l'allumeur

Problème	Cause(s) probable(s)	Solution(s)
L'allumeur ne produit aucune étincelle et n'émet aucun bruit	<ul style="list-style-type: none"> • Absence de pile ou pile mal placée • Pile déchargée • Bouton de l'allumeur mal assemblé • Générateur d'étincelles défectueux 	<ul style="list-style-type: none"> • (Re)placez la batterie, en respectant les bornes • Remplacez la pile • Ré-assemblez le bouton de l'allumeur • Remplacez le générateur d'étincelles
L'allumeur émet un bruit mais ne produit pas d'étincelles	<ul style="list-style-type: none"> • Mauvaise mise à la terre • Le brûleur et l'électrode sont trop espacés 	<ul style="list-style-type: none"> • Raccordez le générateur d'étincelles et les électrodes • Recourbez légèrement l'électrode pour la rapprocher du brûleur
Production d'étincelles ne provenant pas des brûleurs	Câblage défectueux	Remplacez le câblage
Production d'étincelles, mais pas sur toutes les électrodes et/ou trop faibles	<ul style="list-style-type: none"> • Mauvaise mise à la terre • Pile presque déchargée • Électrodes mouillées ou cassées 	<ul style="list-style-type: none"> • Raccordez le générateur d'étincelles et les électrodes • Remplacez la pile • Séchez les électrodes avec une serviette en papier ou remplacez les électrodes

DE – BEDIENUNGSANLEITUNG

1	Registrieren Ihres Geräts.....	56	10	Hilfreiche Tipps und Tricks	63
2	Informationen zu diesem Handbuch	56		• Vorheizen des Geräts	63
3	Wichtige Sicherheitshinweise.....	56		• Verhindern des Anhaftens von Speisen	63
	• Lesen und Befolgen der Anweisungen.....	56		• Direktes und indirektes Grillen	63
	• Vorsicht im Umgang mit Gas.....	56		• Grillen mit geschlossenem Deckel.....	64
	• Wahl eines geeigneten Standorts.....	56		• Beobachten der Temperatur	64
	• Gesunder Menschenverstand	56		• Optimale Wärmenutzung	64
				• Nutzen der Heizzonen.....	64
4	Wiederkehrende Konzepte.....	57		• Vermeiden von Stichflammen	64
	• Venturirohre	57	11	Pflege des Geräts	65
	• Brennerdeckel	57		• Reinigen des Grillrosts	65
	• Emaille	57		• Reinigen der Schale	65
	• Stichflammen	57		• Reinigen der Brenner und Venturirohre.....	65
5	Montieren des Geräts.....	57		• Pflegen von Emaille, Edelstahl und pulverbeschichteten Teilen	66
	• Sicherheitshinweise.....	57		• Lagern des Geräts.....	66
	• Montage des Geräts.....	58		• Lagern von Gasflaschen	66
6	Anschließen von Gas an das Gerät.....	58		• Bestellen von Ersatzteilen	66
	• Welche Flasche, welcher Schlauch und welches Ventil? 58		12	Gewährleistung	67
	• Sicherheitshinweise.....	58		• Abgedeckt.....	67
	• Anschließen des Schlauchs an das Gerät.....	58		• Nicht abgedeckt.....	67
	• Anschließen des Schlauchs und der Flasche an das Ventil.....	59	13	Technische Daten	67
	• Austauschen der Gasflasche.....	59		• Typenschild	67
7	Prüfen auf Gaslecks	60		• Durchmesser der Einspritzdüsen	67
	• Warum sollte auf Gaslecks geprüft werden?	60	14	Fehlerbehebung	68
	• Wann sollte auf Gaslecks geprüft werden?.....	60			
	• Sicherheitshinweise.....	60			
	• Welche Materialien werden benötigt?	60			
	• So prüfen Sie auf Gaslecks	60			
	• Im Fall eines Gaslecks	61			
8	Vorbereiten des Geräts für die Verwendung	61			
	• Vor jeder Verwendung	61			
	• Vor der ersten Inbetriebnahme (vor der erstmaligen Benutzung nach einem längeren Zeitraum).....	61			
	• Einbrennen des Geräts	61			
9	Entzünden der Brenner	61			
	• Sicherheitshinweise.....	61			
	• Entzünden der Hauptbrenner	61			
	• Entzünden des seitlichen Brenners	62			
	• Ausschalten der Brenner	63			
	• Erneutes Entzünden der Brenner	63			
	• Prüfen der Flammen	63			

1 REGISTRIEREN IHRES GERÄTS

Vielen Dank für den Kauf eines Barbecue-Geräts! Wir sind uns sicher, dass Sie damit einige glückliche Grillabende veranstalten werden.

Für ein noch besseres Erlebnis können Sie Ihr Gerät auf www.barbecue.com registrieren. Das dauert nur einige Minuten, bringt aber einige Vorteile:

- Sie erhalten Zugriff auf Ihren persönlichen Kundendienst. So können Sie beispielsweise schnell Ersatzteile für Ihr Gerät finden oder von einem optimalen Garantieservice profitieren.
- Wir können Sie über interessante Produktneuheiten informieren und Sie auf Produktinformationen und technische Daten hinweisen, die für Ihr Gerät relevant sind.



Weitere Informationen zum Registrieren Ihres Geräts finden Sie auf www.barbecue.com.



Barbecue respektiert Ihre Privatsphäre. Ihre Daten werden weder verkauft noch verteilt oder mit Dritten geteilt.

2 INFORMATIONEN ZU DIESEM HANDBUCH

Dieses Handbuch besteht aus zwei Teilen:

- Den ersten Teil lesen Sie gerade. Er enthält Anweisungen zur Montage, Verwendung und Pflege des Geräts.
- Der zweite Teil beginnt auf Seite 379. Er umfasst verschiedene Zeichnungen (Explosionsansichten, Montagezeichnungen...) der Gerät, die in diesem Handbuch beschrieben sind.

3 WICHTIGE SICHERHEITSHINWEISE

3.1 Lesen und Befolgen der Anweisungen

Lesen Sie die Anweisungen, bevor Sie das Gerät verwenden. Befolgen Sie die Anweisungen stets genau. Abweichende Montage oder Verwendung des Geräts kann zu einem Brand oder zu Materialschäden führen.



Schäden aufgrund von Nichtbeachtung der Anweisungen (falsche Montage, unsachgemäß Verwendung, ungeeignete Pflege...) fallen nicht unter die Gewährleistung.

3.2 Vorsicht im Umgang mit Gas

Die Arbeit mit Gas ist sicher, erfordert jedoch einige zusätzliche Vorsichtsmaßnahmen:

- Lagern Sie Gasflaschen immer an einem gut belüfteten Ort im Freien. Vergewissern Sie sich, dass sie nicht übermäßiger Wärme oder direktem Sonnenlicht ausgesetzt sind.
- Lagern Sie die Gasflasche oder Ersatzflaschen nie im Unterschrank Ihres Geräts.
- Stellen Sie die Gasflasche während der Benutzung in den Flaschenwagen an der Seite des Geräts.
- Lagern Sie Ersatzgasflaschen nie in der Nähe eines verwendeten Gasgeräts.
- Schalten Sie die Gaszufuhr an der Gasflasche nach jeder Verwendung ab.
- Rauchen Sie nie in der Nähe eines Gasgeräts oder in der Nähe von Gasflaschen (voll/leer).



Wenn Sie Gas riechen, schließen Sie die Gaszufuhr umgehend, löschen Sie alle Flammen und öffnen Sie den Deckel des Geräts. Falls der Geruch anhält, wenden Sie sich an Ihren Gaslieferanten oder die Feuerwehr.

3.3 Wahl eines geeigneten Standorts

Das Gerät darf nur im Freien verwendet werden. Die Verwendung in Räumen, auch in einer Garage oder Hütte, kann zur Kohlenmonoxidvergiftung führen.

Beachten Sie bei der Wahl eines Standorts im Freien Folgendes:

- Stellen Sie das Gerät in mindestens drei Meter Entfernung von Gebäuden an einem offenen und gut belüfteten Ort auf.
- Vergewissern Sie sich, dass die Luft jederzeit ungehindert zu den Brennern und durch die Luftlöcher im Unterschrank strömen kann.
- Vergewissern Sie sich, dass das Gerät nicht unter einem Überhang (z. B. Balkon oder Schutzdach) oder unter einem Baum steht.
- Stellen Sie das Gerät auf eine gerade und stabile Fläche. Stellen Sie es unter keinen Umständen auf ein sich bewegendes Fahrzeug (z. B. Boot oder Anhänger).

3.4 Gesunder Menschenverstand

Verwenden Sie stets Ihren gesunden Menschenverstand, wenn Sie das Gerät verwenden:

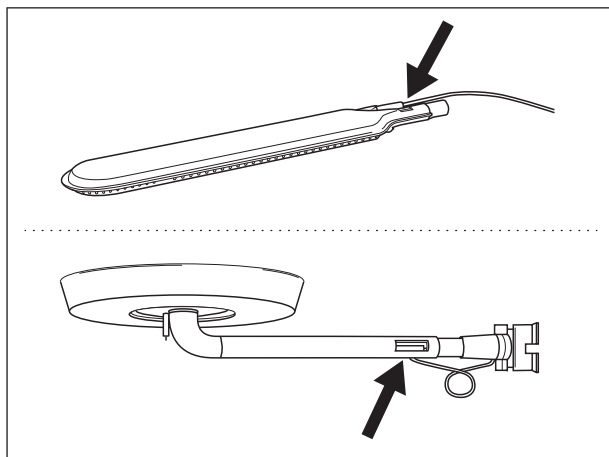
- Nur im Freien zu verwenden.
- Bewegen Sie das Gerät während der Benutzung nicht.
- Lassen Sie das Gerät während der Verwendung nicht unbeaufsichtigt, insbesondere wenn Kinder und Tiere anwesend sind.
- **WARNUNG!** Einige zugängliche Teile können sehr heiß werden. Halten Sie Kinder davon fern.
- Verwenden Sie einen geeigneten Schutz, wenn Sie mit heißen Teilen (Deckel, Grillrost...) arbeiten.
- Das Gerät muss während der Verwendung von entzündlichen Materialien fern gehalten werden.
- Halten Sie flammable Materialien, entzündliche Flüssigkeiten und lösliche Gegenstände vom Gerät fern, wenn es verwendet wird.
- Verwenden Sie kein Holz, keine Holzkohle, keine Lavasteine oder Keramikbriketts im Gasgerät.
- Verwenden Sie das Gerät nicht, wenn Sie Alkohol getrunken oder Drogen zu sich genommen haben.
- Ändern Sie das Gerät nicht.

4 WIEDERKEHRENDE KONZEPTE

Dieser Teil umfasst Definitionen einiger weniger bekannter Konzepte. Diese Konzepte werden in verschiedenen Themen dieses Handbuchs verwendet.

4.1 Venturirohre

Die Venturirohre sind kleine Schläuche, die an den Eingängen der Brenner befestigt sind. Seitlich an den Venturirohren befindet sich ein Loch, das an den Hauptbrennern und am seitlichen Brenner sichtbar ist:



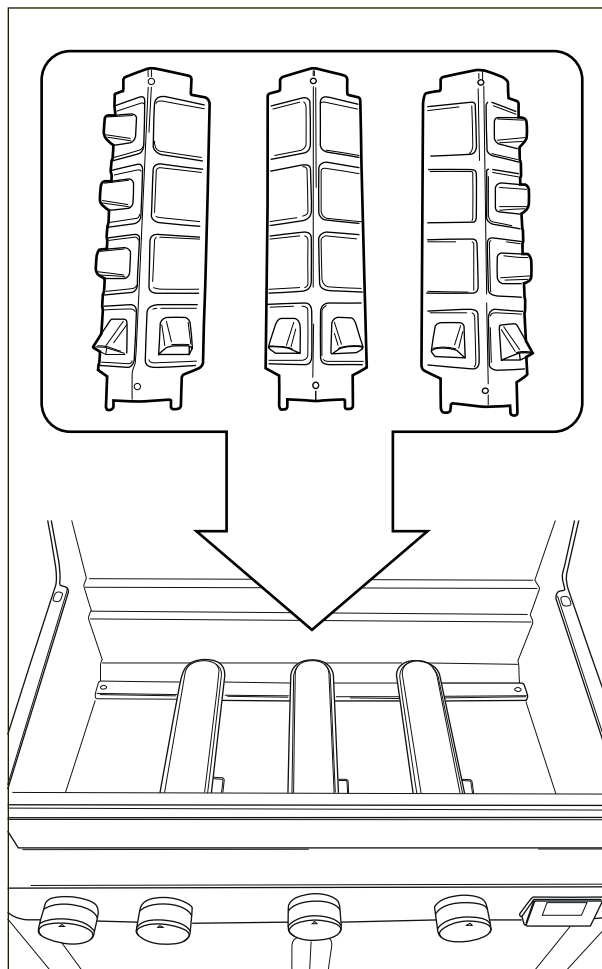
Auf dem Weg zu den Brennern wird das Gas durch die Venturirohre geleitet. Über die seitlichen Löcher wird das Gas mit Luft und somit mit Sauerstoff gemischt. Das ist für eine problemlose Zündung der Brenner erforderlich: nur das korrekte Gemisch aus Gas und Sauerstoff ermöglicht eine richtige Zündung und Flammenbildung.

4.2 Brennerdeckel

Bei den Brennerdeckeln handelt es sich um Abdeckungen, die Sie über den Brennern Ihres Geräts montieren. Sie schützen die Brenner vor herabtropfendem Fett und sind für das Turbo Heating System wichtig. Die abgedeckten seitlichen Öffnungen der Deckel verteilen die Wärme über den Grill, sodass eine schnellere und gleichmäßigere Erwärmung gewährleistet wird.



Achten Sie bei der Montage des Geräts besonders auf die Brennerdeckel. Das Turbo Heating System funktioniert nur dann korrekt, wenn jeder Deckel über dem jeweiligen Brenner montiert ist.



4.3 Emaille

Einige Teile des Geräts sind mit geschmolzenem Glas, so genanntem Emaille überzogen. Diese Emaille schützt das darunterliegende Material vor Korrosion. Emaille ist ein hochwertiges Material: Es rostet nicht, hält hohen Temperaturen stand und ist leicht zu pflegen.



Da die Emaille weniger flexibel ist als das davon umgebene Metall, kann die Emaille abblättern, wenn Sie das Gerät unsachgemäß handhaben. Um derartige Probleme zu vermeiden, sollten Sie bei der Montage emaillierter Teile vorsichtig vorgehen und darauf achten, dass die Emaille erhalten bleibt. Beachten Sie dazu die Beschreibungen in diesem Handbuch.

4.4 Stichflammen

Stichflammen sind beim Grillen plötzlich auftretende Flammen. Diese entstehen, wenn Fett oder Marinade heruntertropfen.

5 MONTIEREN DES GERÄTS


5.1 Sicherheitshinweise


- Ändern Sie das Gerät beim Zusammenbau nicht. Es ist überaus gefährlich und untersagt, Teile, die vom Hersteller vormontiert und/oder versiegelt wurden, zu ändern.
- Befolgen Sie die Montageanweisungen stets genau.
- Der Benutzer ist für die korrekte Montage des Geräts verantwortlich. Schäden, die durch falsche Montage verursacht werden, fallen nicht unter die Gewährleistung.

5.2 Montage des Geräts

Sie benötigen einen Kreuzschlitzschraubendreher, einen Flachkopfschraubendreher und eine AA-Batterie (elektrischer Zünder). Wenn Ihr Gerät mit einem Seitenkocher ausgestattet ist, benötigen Sie auch zwei D-Batterien (Motor des Seitenkochers). Im Lieferumfang des Geräts sind keine Batterien enthalten.

- 1 Stellen Sie das Gerät auf eine gerade und saubere Fläche.
- 2 Bauen Sie das Gerät wie auf den Montagezeichnungen gezeigt zusammen. Sie finden sie im zweiten Teil dieses Handbuchs, hinter den Explosionsansichten Ihres Geräts.

 Gehen Sie bei der Montage der emaillierten Teile besonders sorgfältig vor. Die Werkzeuge und Schrauben können die Emaille beschädigen. Verwenden Sie die mitgelieferten Unterlegscheiben, um die Emaille um die Schrauben herum zu schützen.

 Die Blisterpackungen können mehr Schrauben als nötig enthalten. Nach der Montage können Schrauben übrig sein.


6 ANSCHLIEßEN VON GAS AN DAS GERÄT


6.1 Welche Flasche, welcher Schlauch und welches Ventil?

Bevor Sie das Gerät mit Gas versorgen können, müssen Sie eine Gasflasche, einen Schlauch und ein Druckminderventil kaufen. Kaufen Sie immer Material, das den nationalen Standards sowie den Gasarten und dem Nenndruck, die auf dem Gerät angegeben sind entspricht.

Die nachfolgende Tabelle zeigt, welche Flasche, welcher Schlauch und welches Ventil verwendet werden müssen. In Belgien (BE) müssen Sie beispielsweise eine Propangasflasche mit einem Schlauch und einem Ventil für 37 mbar oder eine Butangasflasche mit einem Schlauch und Ventil für 28-30 mbar verwenden.

Land	Flasche, Schlauch und Ventil
DK, GR, NO, SE, EE, LT, LV, CZ, PL, MT, HU, SI, SK	Propangas, 30 mbar / Butangas, 30 mbar
ES, GB, IE, PT, BE, FR, LU, IT	Propangas, 37 mbar / Butangas, 28-30 mbar
NL	Propangas, 30 oder 50 mbar / Butangas, 30 mbar
CY	Propangas, 30 oder 37 mbar / Butangas, 28-30 mbar

 Wir empfehlen die Verwendung von Propangas. Propangas ermöglicht eine hochwertige Verbrennung und ist weniger anfällig für Frost.

 Kaufen Sie das Druckminderventil und die Gasflasche zusammen. Nicht alle Ventile passen auf alle Flaschen.


6.2 Sicherheitshinweise

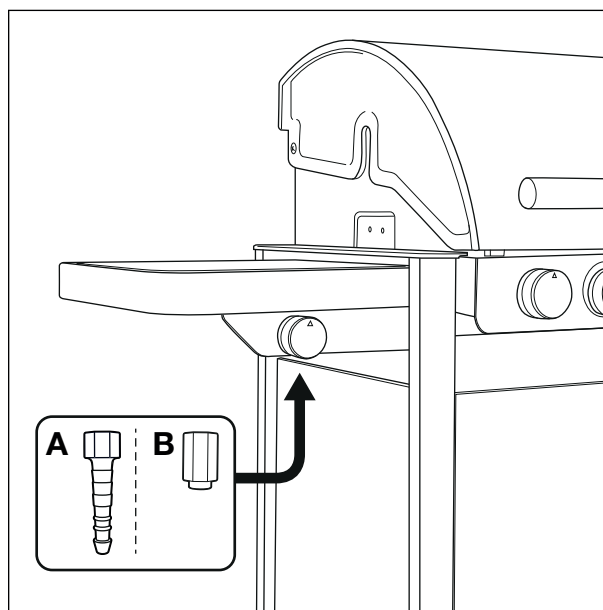
- Schließen Sie die Flasche nie direkt an das Gerät an. Montieren Sie zunächst ein Druckminderventil an der Flasche.
- Ändern Sie die vormontierten oder versiegelten Teile an der Flasche, am Schlauch oder am Druckminderventil unter keinen Umständen.
- Halten Sie den Schlauch so kurz wie möglich (maximal 500-650 mm), um zu verhindern, dass er auf dem Boden schleift.
- Beim Verbinden von Flasche, Schlauch und Druckminderventil:
 - Den Schlauch nicht verbiegen.
 - Die Flasche stets aufrecht halten.
 - Die Gaszufuhr nicht öffnen.
- Wenn Veränderungen am Gasanschluss vorgenommen wurden, stets auf Lecks prüfen. Siehe "7 Prüfen auf Gaslecks".

6.3 Anschließen des Schlauchs an das Gerät

Um den Gasschlauch an das Gerät anzuschließen, müssen Sie einen Anschluss am Gasschlauch des Geräts anbringen. Im Lieferumfang des Geräts sind zwei Anschlüsse für bestimmte Länder enthalten:

Land	Anschluss
BE, CH, CZ, DK, ES, FI, GB, IE, IT, PT, SI	Anschluss A
FR	Anschluss B

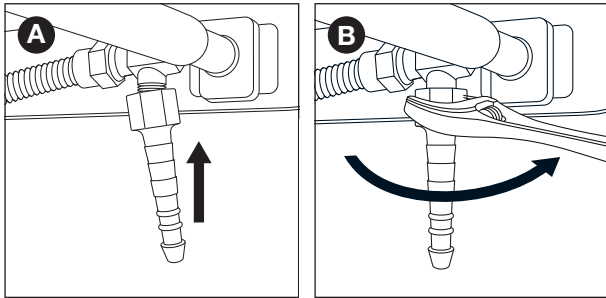
 Wenn Ihr Land nicht in der Tabelle aufgeführt ist, verwenden Sie den Anschluss, der den nationalen Standards entspricht.



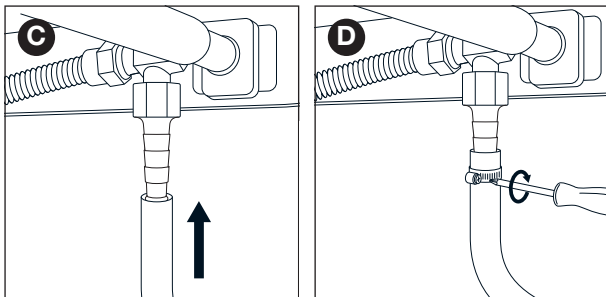
6.3.1 ANSCHLUSS A

Sie benötigen einen 19-mm-Schraubenschlüssel und einen Kreuzschlitzschraubendreher.

- 1 Schrauben Sie den Anschluss auf den Gasschlauch des Geräts (A) und ziehen Sie ihn mit einem 19-mm-Schraubenschlüssel (B) fest.



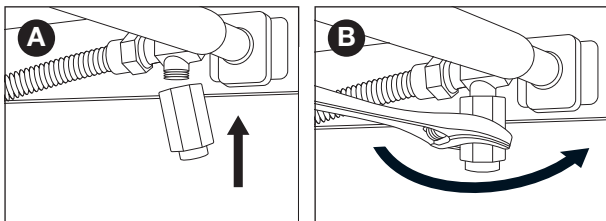
- 2 Schieben Sie den Schlauch über den Anschluss (C) und ziehen Sie den Klemmring mit einem Kreuzschlitzschraubendreher (D) fest.



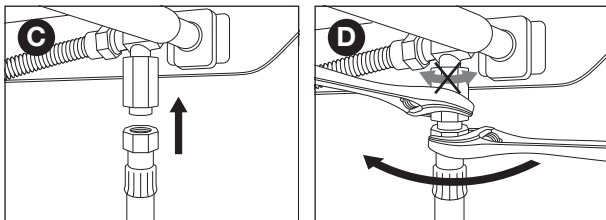
6.3.2 ANSCHLUSS B

Sie benötigen einen 22-mm-Schraubenschlüssel und einen Universalschraubenschlüssel.

- 1 Schrauben Sie den Anschluss auf den Gasschlauch des Geräts (A) und ziehen Sie ihn mit einem 22-mm-Schraubenschlüssel (B) fest.



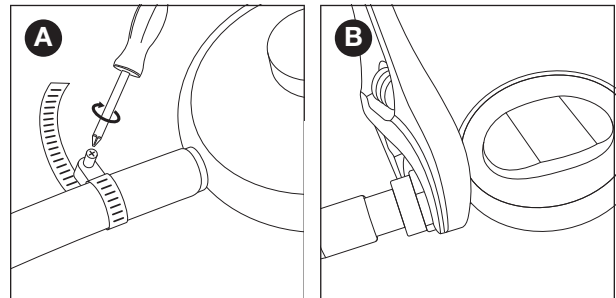
- 2 Schrauben Sie den Gasschlauch auf den Anschluss (C) und ziehen Sie ihn mit zwei Schraubenschlüsseln fest. Halten Sie den Anschluss mit einem 22-mm-Schraubenschlüssel und drehen Sie den Schlauch mit einem Universalschraubenschlüssel (D) fest.



6.4 Anschließen des Schlauchs und der Flasche an das Ventil

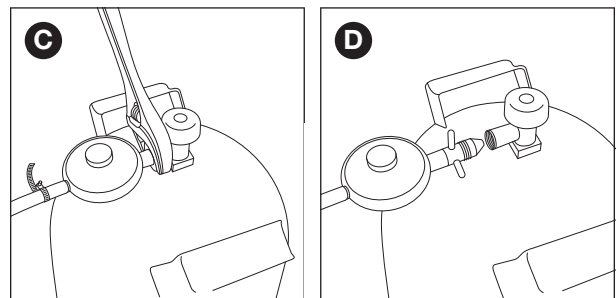
Je nach Typ des verwendeten Druckminderventils benötigen Sie einen Kreuzschlitzschraubendreher und/oder einen Universalschraubenschlüssel.

- 1 Schließen Sie den Schlauch an das Druckminderventil an. Führen Sie eine der folgenden Aufgaben durch:
 - Wenn der Schlauch einen Klemmring hat, schieben Sie den Schlauch über das Ventil und ziehen Sie den Klemmring mit einem Kreuzschlitzschraubendreher fest (A).
 - Wenn der Schlauch eine Mutter hat, schrauben Sie den Schlauch auf das Ventil und ziehen Sie die Mutter mit einem Universalschraubenschlüssel fest (B).



- 2 Schließen Sie das Druckminderventil an die Gasflasche an. Führen Sie eine der folgenden Aufgaben durch:

- Wenn das Ventil eine Mutter hat, schrauben Sie das Ventil im Uhrzeigersinn auf die Flasche und ziehen Sie die Mutter mit einem Universalschraubenschlüssel fest (B).
- Wenn das Ventil ein Schraubengewinde hat, schrauben Sie das Ventil gegen den Uhrzeigersinn auf die Flasche (D).



6.5 Austauschen der Gasflasche

- 1 Schließen Sie die Gaszufuhr und stellen Sie alle Regler auf OFF.
- 2 Trennen Sie die leere Flasche und schließen Sie die volle Flasche an.
- 3 Prüfen Sie die Flasche, den Schlauch und alle Gasanschlüsse auf Lecks. Siehe "7 Prüfen auf Gaslecks".


7 PRÜFEN AUF GASLECKS

7.1 Warum sollte auf Gaslecks geprüft werden?

Propan und Butan sind schwerer als Luft. Daher werden Sie nicht vom Gerät weggetragen. Insbesondere an windstillen Tagen kann ein Leck dazu führen, dass sich Gas im Gerät und darum herum ansammelt. Dieses angesammelte Gas kann sich entzünden und explodieren.

7.2 Wann sollte auf Gaslecks geprüft werden?

- Vor der ersten Inbetriebnahme oder vor der erstmaligen Benutzung nach einem längeren Zeitraum.

 Prüfen Sie auch auf Gaslecks, wenn das Gerät von Ihrem Händler montiert wurde.

- Immer dann, wenn eine Gaskomponente ausgetauscht wurde.
- Mindestens einmal pro Jahr, vorzugsweise zu Beginn der Grillsaison.

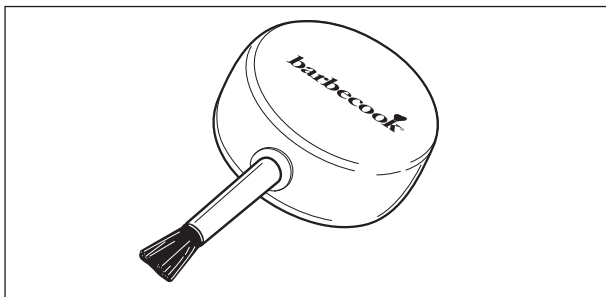
7.3 Sicherheitshinweise

- Stellen Sie das Gerät im Freien an einem gut belüfteten Ort auf. Vergewissern Sie sich, dass es in der Nähe des Geräts keine Flammen oder Wärmequellen gibt.
- Verwenden Sie unter keinen Umständen ein Feuerzeug oder ein Streichholz, um auf Gaslecks zu prüfen.
- Rauchen Sie nicht und zünden Sie die Brenner nicht an, wenn Sie auf Gaslecks prüfen.

7.4 Welche Materialien werden benötigt?

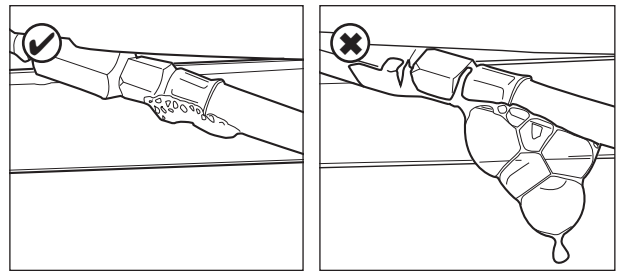
Um auf Gaslecks zu prüfen, wird folgendes benötigt:

- Eine Testflüssigkeit. Sie können ein gebrauchsfertiges Leckspray oder eine Mischung aus Wasser (50 %) und Spülmittel (50 %) verwenden.
- Das Lecktestwerkzeug, das im Lieferumfang des Geräts enthalten ist. Verwenden Sie es, um die Testflüssigkeit aufzunehmen und auf die Gaskomponenten oder Verbindungen aufzutragen, die geprüft werden sollen.



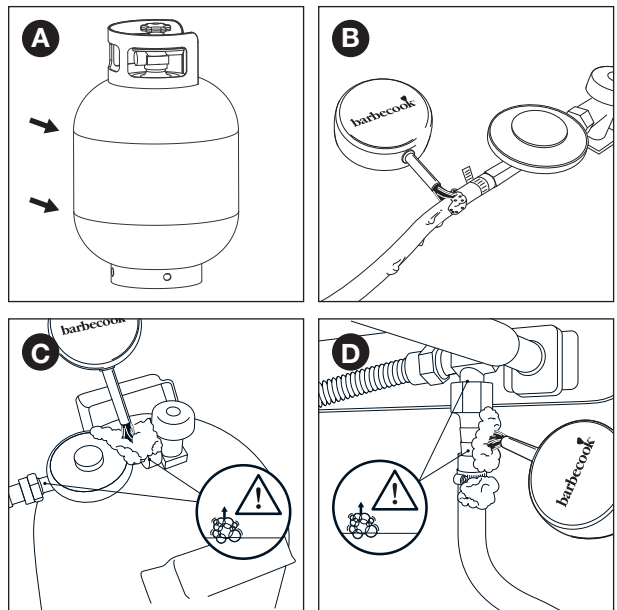
7.5 So prüfen Sie auf Gaslecks


Zum Prüfen auf Gaslecks verwenden Sie eine Testflüssigkeit, die auf alle Gaskomponenten und Verbindungen angewendet wird. Wenn die Blasenbildung an einer speziellen Komponenten oder Verbindung zunimmt, tritt Gas aus:



Gehen Sie folgendermaßen vor, um auf Gaslecks zu prüfen:

- 1 Stellen Sie das Gerät ins Freie.
- 2 Halten Sie das Lecktestwerkzeug und die Testflüssigkeit (Leckspray oder Seifenlauge) bereit.
- 3 Öffnen Sie den Deckel und stellen Sie alle Regler auf OFF.
- 4 Öffnen Sie die Gaszufuhr leicht. Drehen Sie das Ventil der Gasflasche nur einmal.
- 5 Ziehen Sie mit dem Lecktestwerkzeug etwas Testflüssigkeit auf und tragen Sie sie auf den Bereich auf, der geprüft werden soll. Folgendes muss geprüft werden:
 - Die Schweißnähte an der Flasche (A)
 - Der Schlauch (B)
 - Die Verbindungen zwischen Flasche und Druckminderventil und zwischen Druckminderventil und Schlauch (C)
 - Die Verbindung zwischen dem Schlauch und dem Gerät (D)



 Das Druckminderventil Ihres Geräts und die Anschlüsse können von den dargestellten abweichen.

- 6 Führen Sie eine der folgenden Aufgaben durch:
 - Wenn Sie ein Leck erkennen, fahren Sie wie unter "Im Fall eines Gaslecks" beschrieben fort.
 - Wenn keine Lecks vorhanden sind, schließen Sie die Gaszufuhr, spülen Sie alle Komponenten gründlich mit Wasser und trocknen Sie sie gut.

7.6 Im Fall eines Gaslecks

- 1 Schließen Sie die Gaszufuhr und gehen Sie folgendermaßen vor:
 - Wenn Sie ein Gasleck an einer der Verbindungen entdecken, ziehen Sie diese Verbindung fest.
 - Wenn Sie ein Leck an der Flasche oder am Schlauch entdecken, tauschen Sie die Flasche oder den Schlauch aus.
- 2 Prüfen Sie die Verbindung oder Komponente, bei der das Leck entdeckt wurde, erneut.
- 3 Wenn das Leck nicht beseitigt werden kann, wenden Sie sich an einen Barbecue-Händler. Verwenden Sie das Gerät erst wieder, nachdem das Leck behoben wurde.

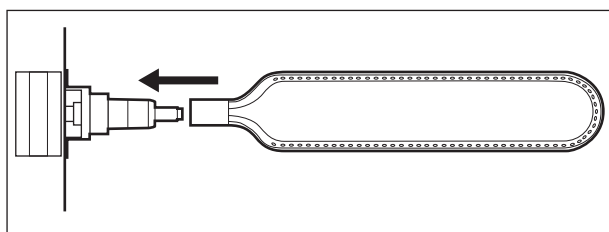
 Eine Liste mit Barbecue-Händlern in Ihrer Nähe finden Sie auf www.barbecue.com.


8 VORBEREITEN DES GERÄTS FÜR DIE VERWENDUNG

8.1 Vor jeder Verwendung

Stellen Sie vor jeder Verwendung des Geräts Folgendes sicher:

- Dass das Gerät an einem geeigneten Ort aufgestellt ist. Siehe "3.3 Wahl eines geeigneten Standorts".
- Dass der Gasschlauch nicht auf dem Boden schleift und nicht mit heißen Flächen oder tropfendem Fett in Berührung kommen kann.
- Dass die Schale sauber ist. Wir empfehlen, vor jeder Verwendung ein neues Leaf® in die Schale zu legen. Siehe "11.2 Reinigen der Schale".
- Dass die Brenner und Venturirohre nicht von Insektenestern oder Spinnweben blockiert werden. Siehe "11.3 Reinigen der Brenner und Venturirohre".
- Dass das Gerät korrekt montiert ist. Achten Sie besonders auf Folgendes:
 - Die Brennerdeckel. Jeder Deckel muss sich über dem korrekten Brenner befinden. Siehe "4.2 Brennerdeckel".
 - Die Venturirohre der Brenner. Sie müssen sich über den Öffnungen der Gasventile befinden.




 Wenn Sie sicherstellen wollen, dass die Gasverbindung in Ordnung ist, können Sie Ihr Gerät vor jeder Verwendung auf Gaslecks prüfen. Siehe "7 Prüfen auf Gaslecks".

8.2 Vor der ersten Inbetriebnahme (vor der erstmaligen Benutzung nach einem längeren Zeitraum)

Wenn Sie das Gerät zum ersten Mal oder nach langer Zeit wieder verwenden, müssen Sie einige zusätzliche Prüfungen durchführen.

- Lesen Sie alle Anweisungen in diesem Handbuch sorgfältig durch (nur vor der ersten Inbetriebnahme).
- Prüfen Sie das Gerät auf Gaslecks. Siehe "7 Prüfen auf Gaslecks".

 Prüfen Sie auch auf Gaslecks, wenn das Gerät von Ihrem Händler montiert wurde.


- Reinigen Sie die Brenner und Venturirohre (nur vor der erstmaligen Benutzung nach einem längeren Zeitraum). Siehe "11.3 Reinigen der Brenner und Venturirohre".
- Brennen Sie das Gerät ein, bevor Sie Speisen darauf legen (nur vor der ersten Inbetriebnahme). Siehe "8.3 Einbrennen des Geräts".

8.3 Einbrennen des Geräts

Durch das Einbrennen des Geräts vor der ersten Verwendung entfernen Sie Fette, die durch die Fertigung am Gerät verblieben sind. Gehen Sie folgendermaßen vor:

- 1 Entzünden Sie die Hauptbrenner und stellen Sie die Regler auf HIGH. Siehe "9.2 Entzünden der Hauptbrenner".
- 2 Schließen Sie den Deckel und lassen Sie das Gerät 15 Minuten lang brennen. Legen Sie noch keine Speisen auf das Gerät.
- 3 Öffnen Sie nach 15 Minuten den Deckel und lassen Sie das Gerät weitere 5 Minuten brennen (wobei die Regler weiterhin auf HIGH stehen).
- 4 Nach 5 Minuten kann das Gerät verwendet werden. Jetzt können Sie Speisen auf den Grill legen.

9 ENTZÜNDEN DER BRENNER

 Um die Brenner mit dem elektrischen Zünder entzünden zu können, müssen Sie eine AA-Batterie in den Zünder einlegen. Diese Batterie ist im Lieferumfang des Geräts nicht enthalten. Das Batteriefach des Zünders befindet sich im Unterschrank des Geräts.


9.1 Sicherheitshinweise

- Führen Sie vor dem Entzünden des Geräts alle Überprüfen aus, die in "8 Vorbereiten des Geräts für die Verwendung" aufgeführt sind.
- Vergewissern Sie sich, dass der Deckel immer geöffnet ist, wenn Sie einen Brenner entzünden.
- Beugen Sie sich nie direkt über einen Brennen, wenn Sie ihn entzünden.

9.2 Entzünden der Hauptbrenner

9.2.1 VERWENDEN DES ZÜNDERS

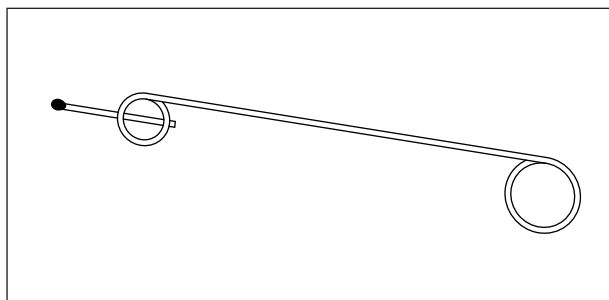
- 1 Öffnen Sie den Deckel und stellen Sie die Regler der Hauptbrenner auf OFF.
- 2 Wenn noch kein anderer Brenner entzündet ist, öffnen Sie die Gaszufuhr und warten Sie zehn Sekunden. Dadurch kann sich das Gas stabilisieren.
- 3 Drücken Sie den Regler eines Brenners, stellen Sie ihn auf HIGH und halten Sie ihn einen Moment gedrückt. Der integrierte Zünder produziert Funken, die den Brenner entzünden.

 Zünden Sie zunächst immer einen Hauptbrenner. Zünden Sie nie alle Hauptbrenner gleichzeitig.

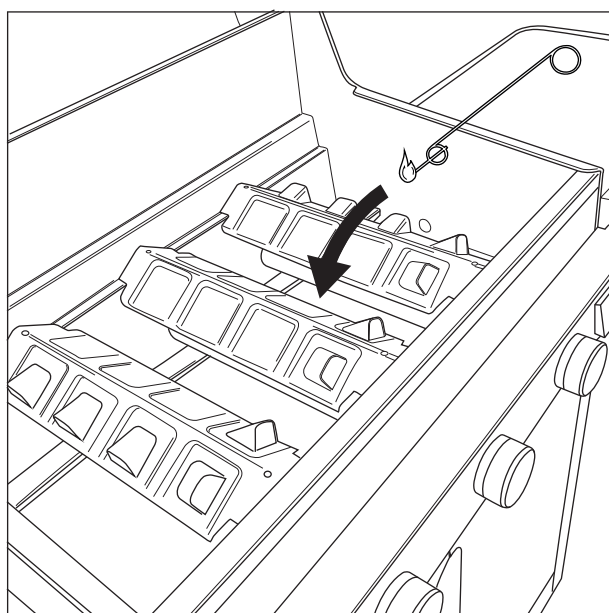
- 4 Wenn sich der Brenner nach drei Versuchen nicht entzündet, stellen Sie die Regler auf OFF, schließen Sie die Gaszufuhr und warten Sie 5 Minuten. Dadurch kann das angesammelte Gas entweichen.
- 5 Versuchen Sie erneut, den Brenner zu entzünden. Wenn er sich noch immer nicht entzündet, versuchen Sie, ihn mit einem Streichholz zu entzünden. Lesen Sie auch "14 Fehlerbehebung", um die Ursache des Problems zu lokalisieren.


9.2.2 VERWENDEN EINES STREICHHOLZES

- 1 Legen Sie ein Streichholz in den Streichholzhalter.




- 2 Öffnen Sie den Deckel und stellen Sie die Regler der Hauptbrenner auf OFF.
- 3 Wenn noch kein anderer Brenner entzündet ist, öffnen Sie die Gaszufuhr und warten Sie zehn Sekunden. Dadurch kann sich das Gas stabilisieren.
- 4 Entzünden Sie das Streichholz und halten Sie es etwa 13 mm vom Brenner entfernt.



- 5 Stellen Sie den Regler eines Brenners auf HIGH.
-  Zünden Sie zunächst immer einen Hauptbrenner. Zünden Sie nie alle Hauptbrenner gleichzeitig.
- 6 Wenn sich der Brenner innerhalb von 5 Sekunden nicht entzündet, stellen Sie den Regler auf OFF, schließen Sie die Gaszufuhr und warten Sie 5 Minuten. Dadurch kann das angesammelte Gas entweichen.
 - 7 Versuchen Sie erneut, den Brenner zu entzünden. Wenn er sich noch immer nicht entzündet, lesen Sie "14 Fehlerbehebung", um die Ursache des Problems zu lokalisieren.

9.3 Entzünden des seitlichen Brenners

-  Der seitliche Brenner ist nur für Gefäße mit einem Höchstgewicht von 9 kg und einem maximalen Durchmesser von 220 mm ausgelegt.

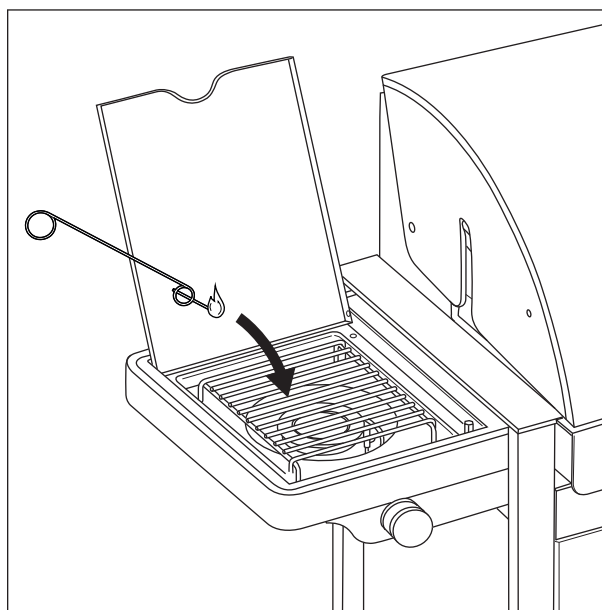
9.3.1 VERWENDEN DES ZÜNDERS

- 1 Öffnen Sie den Deckel und stellen Sie den Regler des seitlichen Brenners auf OFF.
- 2 Wenn noch kein anderer Brenner entzündet ist, öffnen Sie die Gaszufuhr und warten Sie zehn Sekunden. Dadurch kann sich das Gas stabilisieren.

- 3 Drücken Sie den Regler des seitlichen Brenners, stellen Sie ihn auf HIGH und halten Sie ihn einen Moment gedrückt. Der integrierte Zünder produziert Funken, die den seitlichen Brenner entzünden.
- 4 Wenn sich der Brenner nach drei Versuchen nicht entzündet, stellen Sie die Regler auf OFF, schließen Sie die Gaszufuhr und warten Sie 5 Minuten. Dadurch kann das angesammelte Gas entweichen.
- 5 Versuchen Sie erneut, den seitlichen Brenner zu entzünden. Wenn er sich noch immer nicht entzündet, versuchen Sie, ihn mit einem Streichholz zu entzünden. Lesen Sie auch "14 Fehlerbehebung", um die Ursache des Problems zu lokalisieren.

9.3.2 VERWENDEN EINES STREICHHOLZES

- 1 Legen Sie ein Streichholz in den Streichholzhalter.
- 2 Öffnen Sie den Deckel und stellen Sie den Regler des seitlichen Brenners auf OFF.
- 3 Wenn noch kein anderer Brenner entzündet ist, öffnen Sie die Gaszufuhr und warten Sie zehn Sekunden. Dadurch kann sich das Gas stabilisieren.
- 4 Entzünden Sie das Streichholz und halten Sie es etwa 13 mm vom seitlichen Brenner entfernt.



- 5 Stellen Sie den Regler des seitlichen Brenners auf HIGH.
- 6 Wenn sich der seitliche Brenner innerhalb von 5 Sekunden nicht entzündet, stellen Sie den Regler auf OFF, schließen Sie die Gaszufuhr und warten Sie 5 Minuten. Dadurch kann das angesammelte Gas entweichen.
- 7 Versuchen Sie erneut, den seitlichen Brenner zu entzünden. Wenn er sich noch immer nicht entzündet, lesen Sie "14 Fehlerbehebung", um die Ursache des Problems zu lokalisieren.

9.4 Ausschalten der Brenner

Wenn Sie die Brenner nicht mehr verwenden, müssen Sie ausgeschaltet werden. Gehen Sie folgendermaßen vor:

- 1 Schließen Sie die Gaszufuhr.
- 2 Stellen Sie die Regler der Brenners auf HIGH.



Wenn Sie zuerst die Gaszufuhr schließen, stellen Sie sicher, dass im Gerät kein Gas mehr vorhanden ist.

9.5 Erneutes Entzünden der Brenner

Wenn ein Brenner während der Verwendung ausgeht, gehen Sie folgendermaßen vor:

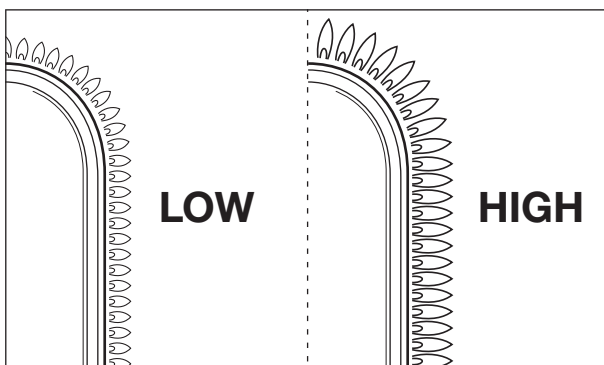
- 1 Öffnen Sie den Deckel und schließen Sie die Gaszufuhr.
- 2 Stellen Sie alle Regler auf OFF und warten Sie 5 Minuten. Dadurch kann das angesammelte Gas entweichen.
- 3 Zünden Sie den/die Brenner erneut an.

9.6 Prüfen der Flammen

Wenn Sie einen Brenner anzünden, müssen Sie seine Flammen prüfen. Eine perfekte Flamme ist fast vollkommen blau, mit einigen gelben Spitzen. Sporadische gelbe Flammen sind normal und nicht schädlich.

Sollte es Probleme mit den Flammen geben, gehen Sie folgendermaßen vor, um das Problem zu lösen:

Wenn die Flammen...	Dann...
Niedrig und vollkommen gelb sind	<ol style="list-style-type: none"> 1 Schließen Sie umgehend die Gaszufuhr und stellen Sie alle Regler auf OFF. 2 Siehe "14 Fehlerbehebung", um die Ursache des Problems zu bestimmen. Wahrscheinlich sind die Venturirohre verstopft.
Höher als die Schale sind	<ol style="list-style-type: none"> 1 Schließen Sie umgehend die Gaszufuhr und stellen Sie alle Regler auf OFF. 2 Warten Sie 5 Minuten, damit angesammeltes Gas entweichen kann. 3 Zünden Sie den/die Brenner erneut an. 4 Wenn das Problem weiterhin besteht, siehe "14 Fehlerbehebung", um die Ursache des Problems zu bestimmen.



10 HILFREICHE TIPPS UND TRICKS

10.1 Vorheizen des Geräts

Durch das Vorheizen des Geräts stellen Sie sicher, dass der Grill ausreichend heiß ist, wenn Sie Speisen darauf legen. Gehen Sie folgendermaßen vor:

- 1 Entzünden den/die Brenner und stellen Sie den/die Regler auf HIGH.
- 2 Schließen Sie den Deckel und lassen Sie das Gerät zehn Minuten lang brennen.
- 3 Öffnen Sie den Deckel nach zehn Minuten und legen Sie Speisen auf den Grill.
- 4 Wenn Sie nun weniger Hitze benötigen, stellen Sie den/die Regler auf eine niedrigere Position.

10.2 Verhindern des Anhaftens von Speisen

So verhindern Sie, dass Speisen am Grill anhaften:

- Bestreichen Sie die Speisen mithilfe eines Pinsels leicht mit Öl, bevor Sie sie auf den Grill legen. Auch der Grill kann geölt werden.
- Heizen Sie das Gerät vor. Je wärmer der Grill ist, wenn Sie die Speisen auflegen, umso weniger haften sie an.
- Drehen Sie die Speisen nicht zu schnell. Warten Sie, bis sie sich erwärmt haben.

10.3 Direktes und indirektes Grillen

Je nach Art der Speisen, die Sie zubereiten, und Zubereitungsweise können Sie entweder direkt oder indirekt grillen:

Methode	Beschreibung	Verwendung
Direkt	Legen Sie Ihre Speisen direkt über einen angezündeten Brenner, stellen Sie eine hohe Brennerposition ein und lassen Sie den Deckel geöffnet.	Zum Anbraten von Fleisch und Gemüse
Indirekt	Legen Sie Ihre Speisen neben einen angezündeten Brenner, stellen Sie eine mittlere/niedrige Brennerposition ein und schließen Sie den Deckel.	Zum weiteren Garen von angebratenem Fleisch




Achten Sie beim Grillen mit geschlossenem Deckel stets auf das Thermometer, um sicherzustellen, dass das Gerät nicht zu heiß wird. Siehe "10.5 Beobachten der Temperatur".

10.4 Grillen mit geschlossenem Deckel

Das Schließen des Deckels beim Grillen bietet einige wichtige Vorteile:


- Die Temperatur des Grills ist höher und bleibt konstanter.
- Sie reduzieren die Garzeit der Speisen und sie bleiben saftiger.
- Sie reduzieren Stichflammen und sparen Gas.

 Achten Sie beim Grillen mit geschlossenem Deckel stets auf das Thermometer, um sicherzustellen, dass das Gerät nicht zu heiß wird. Siehe "10.5 Beobachten der Temperatur".

10.5 Beobachten der Temperatur

Ihr Gerät ist mit leistungsstarken Brenner ausgestattet. Das heißt, es erwärmt sich schnell und Sie können die Temperatur konstant halten. Stellen Sie beim Grillen mit geschlossenem Deckel sicher, dass das Gerät nicht zu heiß wird. Beobachten Sie das Thermometer am Deckel und beachten Sie dabei folgende Richtlinien:

- Die normale Gartemperatur beträgt etwa 210 °C. Bei höheren Temperaturen können sich tropfendes und angesammeltes Fett entzünden.
- Die Temperatur sollte nie länger als fünf Minuten über 300 °C liegen. Andernfalls kann das Gerät beschädigt werden und sich verformen.

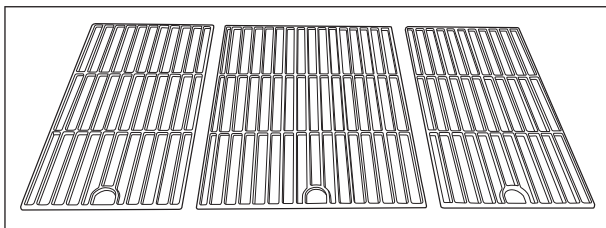
 Wenn das Gerät zu warm wird, lassen Sie es abkühlen, indem Sie den Deckel öffnen und die Brenner auf eine geringere Position regeln.

10.6 Optimale Wärmenutzung

Der mittlere Teil der Schale ist heißer als ihre Seiten. Damit Sie diesen heißen Bereich optimal nutzen können, ist das Gerät mit Grillrosten unterschiedlicher Größe ausgestattet. Folgende Grillroste sind im Lieferumfang enthalten:

- Ein großes Grillrost, das direkt auf die Mitte der Schale gelegt wird.
- Zwei kleinere Grillroste, die auf die Seiten der Schale gelegt werden.


Wenn Sie die Grillroste korrekt in die Schale legen und alle Brenner entzünden, wird der gesamte mittlere Bereich des Grills maximal erwärmt. Auf diese Weise können Sie den heißesten Bereich der Schale erweitern und die Grillfläche Ihres Geräts optimal nutzen.



10.7 Nutzen der Heizzonen

Wenn alle Brenner entzündet sind, verteilen die Brennerdeckel die Wärme möglichst gleichmäßig über den Grill. Trotz dieser gleichmäßigen Erwärmung sind einige Zonen heißer als andere. Diese Heizzonen können Sie nutzen, um Ihre Speisen perfekt zu grillen:

Zone	Heiß?	Verwendung...
Vorn	Heiß	Grillen empfindlicher Speisen (Garnelen, Fisch...)
Mitte	Heißer	Zubereiten von Speisen, die eine längere Garzeit benötigen (z. B. Würstchen, Hähnchenschenkel...)
Hinten	Am heißesten	Anbraten von Fleisch und Gemüse

 Sie können auch Heizzonen erschaffen, indem Sie mit der Leistung der Brenner experimentieren. So können Sie beispielsweise einen Brenner auf eine niedrige Position einstellen und die Zone über dem Brenner für empfindliche Speisen oder Speisen verwenden, die eine längere Garzeit benötigen.

10.8 Vermeiden von Stichflammen

Während des Grillens sind einige Stichflammen normal. Zu viele Stichflammen erhöhen jedoch die Temperatur im Gerät und können zur Entzündung von angesammeltem Fett führen. So vermeiden Sie Stichflammen:

- Vergewissern Sie sich vor dem Grillen, dass die Schale sauber ist. Wir empfehlen, vor jeder Verwendung ein neues Leaf® in die Schale zu legen. Siehe "11.2 Reinigen der Schale".
- Überprüfen Sie regelmäßig, dass die Öffnung für ablaufendes Fett nicht verstopft ist und dass der Fettbehälter nicht voll ist.
- Entfernen Sie überschüssiges Fett von fettigem Fleisch, schließen Sie den Deckel und stellen Sie die Brenner auf eine möglichst niedrige Temperatur ein.

11 PFLEGE DES GERÄTS

11.1 Reinigen des Grillrosts

Wir empfehlen, den Grillrost nach jeder Verwendung mit dem Barbecue cleaner zu reinigen. Gehen Sie folgendermaßen vor:

- 1 Sprühen Sie den Schaum auf den Grillrost und lassen Sie ihn eine Weile einwirken.

Der Schaum verfärbt sich, während er Schmutz und Fett aufsaugt.

- 2 Entfernen Sie den Schaum mit einem weichen Schwamm und Wasser und spülen Sie den Grillrost gründlich ab.
- 3 Trocken Sie den Grillrost sorgfältig und lagern Sie ihn an einem trockenen Ort. Das verhindert die Rostbildung.



Sie können den Grillrost auch mit einem sanften Reinigungsmittel oder mit Natriumkarbonat reinigen. Verwenden Sie unter keinen Umständen Ofenreiniger für den Grillrost.

11.2 Reinigen der Schale

Wir empfehlen, die Schale nach jeder Verwendung zu reinigen. Die einfachste Möglichkeit ist, vor dem Grillen ein Leaf® in die Schale zu legen. Das Leaf® ist eine Folie, die perfekt in die Schale passt und alle Rückstände und Fette aufnimmt. Entfernen Sie das Leaf® nach dem Abkühlen des Geräts einfach und die Schale ist sauber.



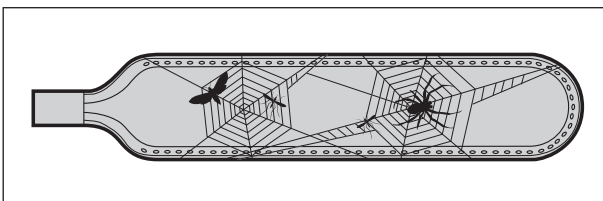
Registrieren Sie Ihr Gerät auf www.barbecue.com, um herauszufinden, welches Leaf® Sie benötigen.

11.3 Reinigen der Brenner und Venturirohre

11.3.1 WARUM MÜSSEN DIE BRENNER UND VENTURIROHRE GEREINIGT WERDEN?

Spinnen und Insekten können Weben und Nester in den Brennern und Venturirohren anlegen. Dadurch kann die Gaszufuhr zu den Brennern blockiert werden. Dadurch:

- Können Sie die Brenner nicht entzünden. Wenn Sie trotzdem entzündet werden können, produzieren Sie lediglich qualmende und gelbe Flammen.
- Kann sich das Gas außerhalb der Venturirohre entzünden, an den Reglern. Diese Feuer werden als Flammenrückschlag bezeichnet und können zu ernststen Verletzungen und Materialschäden führen.



Schäden aufgrund von verstopften Brennern und Venturirohren werden als unsachgemäße Wartung betrachtet und fallen nicht unter die Gewährleistung.

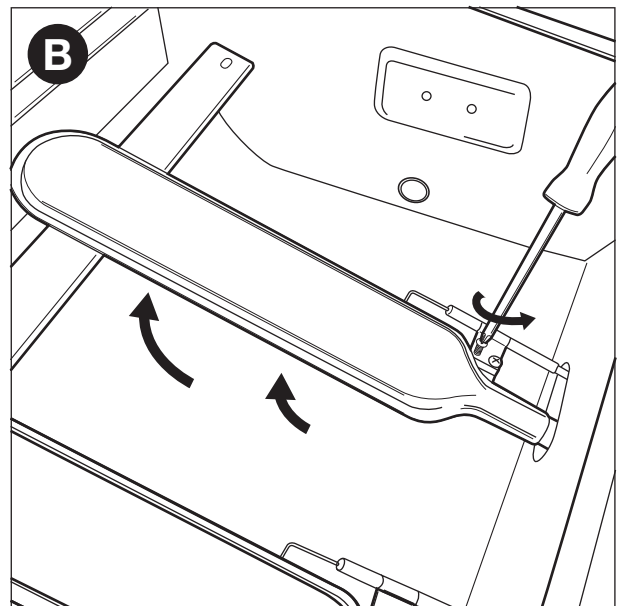
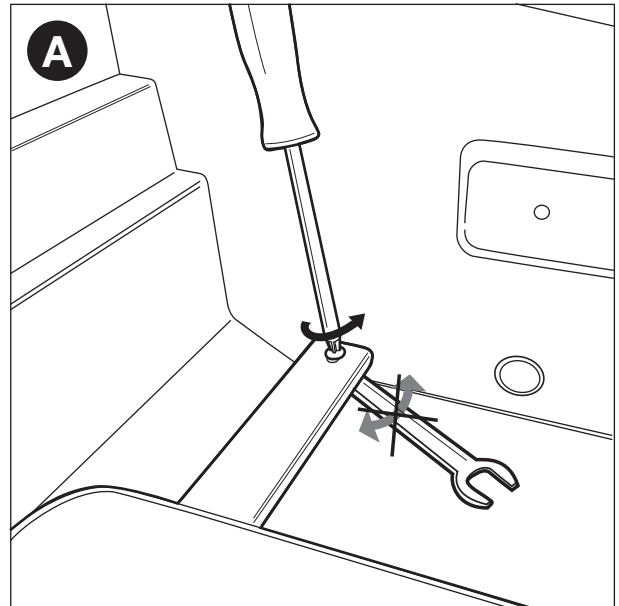
11.3.2 WANN MÜSSEN DIE BRENNER UND VENTURIROHRE GEREINIGT WERDEN?

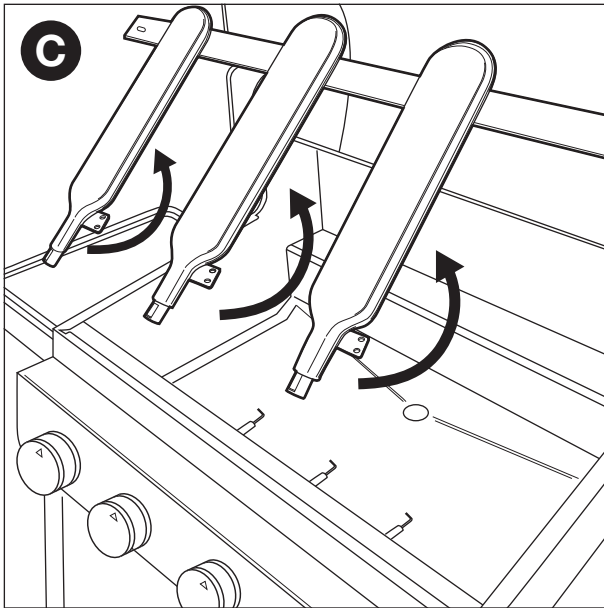
Sie müssen die Brenner und Venturirohre Ihres Geräts reinigen:

- Vor der erstmaligen Benutzung nach einem längeren Zeitraum.
- Mindestens zweimal pro Jahr, einmal zu Beginn der Grillsaison.

11.3.3 SO REINIGEN SIE DIE BRENNER UND VENTURIROHRE

- 1 Entfernen Sie die Brenner wie in den Zeichnungen gezeigt vom Gerät. Wenn Sie bemerken, dass ein Brenner beschädigt ist, müssen Sie ihn austauschen.







- 2 Reinigen Sie die Brenner und Venturirohre mit einer kleinen Bürste oder einem Pfeifenreiniger (auch mit einer gerade gebogenen Büroklammer, einer Pfeifenbürste...).
- 3 Setzen Sie die Brenner wieder ein. Vergewissern Sie sich, dass sich die Venturirohre über den Öffnungen der Gasventile befinden.

11.4 Pflegen von Emaille, Edelstahl und pulverbeschichteten Teilen

Das Gerät besteht aus Emaille-, Edelstahl-, und pulverbeschichteten Teilen. Jedes dieser Materialien muss unterschiedlich gepflegt werden:

Material	Materialpflege
Emaille	<ul style="list-style-type: none"> • Keine scharfkantigen Objekte verwenden und nicht gegen harte Flächen schlagen. • Kontakt mit kalten Flüssigkeiten vermeiden, wenn die Fläche noch warm ist. • Es können Metallkratzer und Scheuermittel verwendet werden.
Edelstahl	<ul style="list-style-type: none"> • Keine aggressiven, scheuernden oder metallischen Reiniger verwenden. • Weiche Reinigungsmittel verwenden, die Verschmutzungen selbstständig lösen. • Einen weichen Schwamm oder ein weiches Tuch verwenden. • Nach der Reinigung gründlich spülen und vor der Lagerung gut trocknen lassen.
Pulverbeschichtet	<ul style="list-style-type: none"> • Keine scharfkantigen Objekte verwenden. Sanfte Reinigungsmittel und einen weichen Schwamm oder ein weiches Tuch verwenden. • Nach der Reinigung gründlich spülen und vor der Lagerung gut trocknen lassen.

 Um zu verhindern, dass sich Rost an den Edelstahlteilen bildet, vermeiden Sie den Kontakt mit Chlor, Salz und Eisen. Wir empfehlen, das Gerät nicht in Küstennähe, in der Nähe von Bahngleisen oder Swimmingpools zu verwenden.

 Schäden aufgrund von Nichtbeachtung dieser Anweisungen werden als unsachgemäße Wartung betrachtet und fallen nicht unter die Gewährleistung.

Unter der Explosionsansicht Ihres Geräts (zweiter Teil des Handbuchs) finden Sie eine Liste mit allen Teilen. Diese Liste verwendet auch Symbole für das Material jedes Teils, sodass Sie hier nachschlagen können, wie ein bestimmtes Teil zu pflegen ist. Folgende Symbole werden in der Teilleiste verwendet:

Symbol	Material
●	Emaille
■	Edelstahl
★	Pulverbeschichtet

11.5 Lagern des Geräts

Wenn Sie das Gerät über einen längeren Zeitraum nicht benutzen, lagern Sie es an einem trockenen Ort. Vor dem Lagern des Geräts:

- Trennen Sie die Gasflaschen. Lagern Sie das Gerät nicht in geschlossenen Räumen (auch nicht in einer Garage oder einem Schuppen), solange die Gasflasche angeschlossen ist.
- Reinigen Sie die Brenner und Grillroste, reiben Sie sie mit Öl ein und wickeln Sie sie in Papier.
- Wenn Ihr Gerät mit einem Seitenkocher ausgestattet ist, entfernen Sie den Motor des Seitenkochers und lagern Sie ihn an einem trockenen Ort.
- Decken Sie das Gerät mit einer Barbecue-Abdeckung ab. Registrieren Sie Ihr Gerät auf www.barbecue.com, um herauszufinden, welche Abdeckung Sie benötigen.

11.6 Lagern von Gasflaschen

Diese Anweisungen gelten für leere und volle Flaschen.

- Lagern Sie Gasflaschen immer an einem gut belüfteten Ort im Freien. Vergewissern Sie sich, dass sie nicht übermäßiger Wärme oder direktem Sonnenlicht ausgesetzt sind.
- Lagern Sie Gasflaschen nie an einem Ort, der sehr heiß werden kann (in einem Auto, auf einem Boot...).
- Lagern Sie die Gasflasche oder Ersatzflaschen nie im Unterschrank Ihres Geräts.
- Lagern Sie Ersatzgasflaschen nie in der Nähe eines verwendeten Gasgeräts.
- Lagern Sie Gasflaschen stets außerhalb der Reichweite von Kindern.
- Lagern und transportieren Sie Gasflaschen immer aufrecht.

11.7 Bestellen von Ersatzteilen

Teile, die direkt Feuer oder intensiver Hitze ausgesetzt sind, müssen von Zeit zu Zeit ausgetauscht werden. So bestellen Sie ein Ersatzteil:

- 1 Schlagen Sie die Referenznummer des gewünschten Teils nach. Sie finden eine Liste aller Referenznummern unter den Explosionsansichten im zweiten Teil dieses Handbuchs und auf www.barbecue.com.

 Wenn Sie Ihr Gerät online registriert haben, werden Sie automatisch auf die korrekte Liste geleitet.

- 2 Bestellen Sie das Ersatzteil an Ihrem Verkaufsort. Sie können Ersatzteile sowohl mit als auch ohne Gewährleistung bestellen.

12 GEWÄHRLEISTUNG

12.1 Abgedeckt

Ihr Gerät umfasst eine Gewährleistung von zwei Jahren ab Beginn des Kaufdatums. Diese Gewährleistung deckt alle Herstellungsfehler ab, vorausgesetzt:

- Sie haben Ihr Gerät entsprechend den Anweisungen in diesem Handbuch verwendet, zusammengebaut und gepflegt. Schäden, die durch unsachgemäße Verwendung, falsche Montage oder ungeeignete Pflege entstehen, werden nicht als Herstellungsfehler betrachtet.
- Sie können den Kaufbeleg und die eindeutige Seriennummer Ihres Geräts vorlegen. Diese Seriennummer setzt sich aus dem Buchstaben G und 15 Ziffern zusammen. Sie befindet sich:
 - In diesem Handbuch und im Startpaket, das in diesem Handbuch enthalten ist.
 - Auf der Verpackung des Geräts.
 - Auf dem Typenschild an der Innenseite der Unterschranktür.
- Die Qualitätsabteilung von Barbecook prüft, ob die Teile defekt sind und dass sie bei normaler Verwendung, korrekter Montage und geeigneter Pflege beschädigt wurden.

Wird eine der oben genannten Bedingungen nicht erfüllt, haben Sie keinen Anspruch auf Wiedergutmachung. In allen Fällen ist die Gewährleistung auf die Reparatur oder den Austausch der defekten Teile beschränkt.

12.2 Nicht abgedeckt

Folgende Schäden oder Defekte sind von der Gewährleistung nicht abgedeckt:

- Normale Abnutzung (Rost, Verformung, Verfärbung...) von Teilen, die Feuer oder intensiver Hitze direkt ausgesetzt sind. Es ist normal, dass diese Teile von Zeit zu Zeit ausgetauscht werden müssen.
- Optische Unregelmäßigkeiten, die auf den Fertigungsprozess zurückzuführen sind. Diese Unregelmäßigkeiten werden nicht als Herstellungsfehler betrachtet.
- Alle Schäden, die durch ungeeignete Pflege, falsche Lagerung, unsachgemäße Montage oder Änderungen an vormontierten Teilen entstehen.
- Alle Schäden, die durch unsachgemäße Verwendung des Geräts (nicht entsprechend den Anweisungen in diesem Handbuch, für kommerzielle Zwecke...) verursacht werden.
- Alle Folgeschäden aufgrund von Nachlässigkeit oder nicht bestimmungsgemäßer Verwendung des Geräts.
- Rost oder Verfärbung aufgrund äußerer Einflüsse, durch die Verwendung aggressiver Reinigungsmittel, Kontakt mit Chlor... Diese Schäden werden nicht als Herstellungsfehler betrachtet.

13 TECHNISCHE DATEN

13.1 Typenschild

Das Typenschild führt alle technischen Daten Ihres Geräts auf. Sie befindet sich:

- Im zweiten Teil dieses Handbuchs.
- An der Innenseite der Unterschranktür.

13.2 Durchmesser der Einspritzdüsen

- Hauptbrenner: 0,991 mm
- Seitlicher Brenner: 0,88 mm

14 FEHLERBEHEBUNG

Problem	Mögliche Ursache(n)	Lösung(en)
Nicht ausreichend Wärme	<ul style="list-style-type: none"> • Gaszufuhr nicht geöffnet • Venturirohre nicht über den Öffnungen der Gasventile platziert • Brenneröffnungen verstopft • Gasflasche (fast) leer • Druckminderventil nicht korrekt an die Flasche und/oder den Schlauch angeschlossen 	<ul style="list-style-type: none"> • Gaszufuhr öffnen • Venturirohre über den Öffnungen der Gasventile platzieren • Brenneröffnungen reinigen oder Brenner austauschen • Gasflasche austauschen • Druckminderventil erneut an Flasche und/oder Schlauch anschließen
Übermäßige Wärme und/oder Stickflammen	<ul style="list-style-type: none"> • Speisen zu fettig • Öffnung für ablaufendes Fett verstopft, Fett in Schale und/oder Fett auf Brennern • Brennerdeckel nicht korrekt montiert • Temperatur zu hoch 	<ul style="list-style-type: none"> • Überschüssiges Fett abschneiden oder Brenner auf niedrigere Position einstellen • Öffnung für ablaufendes Fett, Schale und Brenner reinigen • Brennerdeckel korrekt montieren • Brenner auf niedrigere Temperatur einstellen und/oder Speisen direkt grillen
Wärme wird nicht gleichmäßig über Grillfläche verteilt	<p>Gewisse Wärmeunterschiede sind normal, siehe "11.6 Optimale Wärmenutzung" und "11.7 Nutzen der Heizzonen". Mögliche Ursache(n) für große Wärmeunterschiede:</p> <ul style="list-style-type: none"> • Brennerdeckel nicht korrekt montiert • Gerät nicht vorgeheizt 	<ul style="list-style-type: none"> • Brennerdeckel korrekt montieren • Gerät vorheizen
Gelbe Flammen	<ul style="list-style-type: none"> • Brenner oder Venturirohre verstopft • Salz auf Brennern • Gerät an Butangasflasche angeschlossen 	<ul style="list-style-type: none"> • Brenner und Venturirohre reinigen • Brenner reinigen • Gerät mit einem geeigneten Druckminderventil an Propangasflasche anschließen
Unvollständige Flamme	Brenner verstopft, gelöchert oder verrostet	Brenner reinigen oder austauschen
Flammenrückschlag (Flammen außerhalb der Venturirohre/an Reglern)	Brenner oder Venturirohre verstopft	<ol style="list-style-type: none"> 1 Gaszufuhr schließen und Brenner auf OFF stellen. 2 Gerät abkühlen lassen. 3 Brenner und Venturirohre reinigen.
Flammen höher als Schalenrand	<ul style="list-style-type: none"> • Viel Wind • Gasflasche (fast) leer • Fett in Schale und/oder auf Brenner geben 	<ul style="list-style-type: none"> • Gerät mit Rückseite zum Wind aufstellen • Gasflasche austauschen • Schale und Brenner reinigen, Leaf® austauschen
Druckminderventil summt	<ul style="list-style-type: none"> • Heißes Wetter • Neue (volle) Gasflasche 	Keine Gefahr und kein Defekt. Sollte nach einer Weile von selbst aufhören.
Brenner pfeift, wenn er auf LOW gestellt ist	Gaseinspritzdüse, Venturirohr und/oder Brenner verschmutzt	Gaseinspritzdüse, Venturirohr und Brenner reinigen
Brenner kann nicht entzündet werden (mit Zünder oder Streichholz)	<ul style="list-style-type: none"> • Brenner oder Venturirohr verstopft • Keine Gaszufuhr 	<ul style="list-style-type: none"> • Brenner und Venturirohr reinigen • Gaszufuhr öffnen und Sicherheitsknopf an Druckminderventil drücken (nicht bei allen Reglern vorhanden)
Brenner kann nicht mit Zünder entzündet werden	<ul style="list-style-type: none"> • Keine Batterie eingelegt oder Batterie nicht korrekt eingelegt • Zünderkabel nicht korrekt montiert • Elektrode beschädigt • Falsche Erdung • Fehlerhafter Zünder 	<ul style="list-style-type: none"> • Batterie (neu) einlegen, auf richtige Ausrichtung der Anschlüsse achten • Alle Zünderverbindungen prüfen und neu montieren • Elektrode austauschen • Elektroden, Brenner und Zünder prüfen und neu montieren • Zünder austauschen

Problem	Mögliche Ursache(n)	Lösung(en)
Keine Funken und kein Geräusch beim Betätigen des Zünders	<ul style="list-style-type: none"> • Keine Batterie eingelegt oder Batterie nicht korrekt eingelegt • Batterie leer • Zündknopf nicht korrekt montiert • Fehlerhafter Funkenerzeuger 	<ul style="list-style-type: none"> • Batterie (neu) einlegen, auf richtige Ausrichtung der Anschlüsse achten • Batterie austauschen • Zündknopf neu montieren • Funkenerzeuger austauschen
Beim Betätigen des Zünders nur Ton (keine Funken)	<ul style="list-style-type: none"> • Falsche Erdung • Brenner und Elektrode zu weit von einander entfernt 	<ul style="list-style-type: none"> • Funkenerzeuger und Elektroden neu anschließen • Elektrode leicht biegen, um sie näher an den Brenner zu bringen
Funken vorhanden, die nicht von Brennern stammen	Falsche Verkabelung	Verkabelung austauschen
Funken vorhanden, aber nicht an allen Elektroden und/oder nicht ausreichend stark	<ul style="list-style-type: none"> • Falsche Erdung • Batterie fast leer • Feuchte oder beschädigte Elektroden 	<ul style="list-style-type: none"> • Funkenerzeuger und Elektroden neu anschließen • batterie austauschen • Elektroden mit Papiertüchern trocknen oder Elektroden austauschen

ES – GUÍA DEL USUARIO

1	Registrar el aparato.....	74	10	Consejos y trucos útiles.....	80
2	Acerca de este manual.....	74		• Precalentar el aparato.....	80
3	Instrucciones de seguridad importantes.....	74		• Evitar que se peguen los alimentos.....	80
	• Leer y seguir las instrucciones.....	74		• Asado directo e indirecto.....	80
	• Tener cuidado con el gas.....	74		• Cocinar con la tapa cerrada.....	80
	• Seleccionar una ubicación adecuada.....	74		• Controlar la temperatura.....	81
	• Usar el sentido común.....	74		• Usar de forma óptima el calor.....	81
4	Conceptos recurrentes.....	74		• Aprovechar las zonas calientes.....	81
	• Venturis.....	74		• Evitar llamaradas.....	81
	• Cubiertas de quemadores.....	75	11	Mantenimiento del aparato.....	82
	• Esmalte.....	75		• Limpiar la parrilla.....	82
	• Llamaradas.....	75		• Limpiar el recipiente.....	82
5	Montar el aparato.....	75		• Limpiar los quemadores y los venturis.....	82
	• Instrucciones de seguridad.....	75		• Mantener las piezas de esmalte, acero inoxidable y revestimiento de pintura en polvo.....	83
	• Para montar el aparato.....	75		• Guardar el aparato.....	83
6	Conectar el gas al aparato.....	75		• Guardar las bombonas.....	83
	• ¿Qué bombona, manguera y regulador?.....	75		• Pedir piezas de repuesto.....	84
	• Instrucciones de seguridad.....	76	12	Garantía.....	84
	• Conectar la manguera al aparato.....	76		• Cubierto.....	84
	• Conectar la manguera y la bombona al regulador.....	77		• No cubierto.....	84
	• Sustituir la bombona.....	77	13	Especificaciones técnicas.....	84
7	Comprobar si hay fugas de gas.....	77		• Placa de características.....	84
	• ¿Por qué comprobar si hay fugas de gas?.....	77		• Diámetros del inyector.....	84
	• ¿Cuándo comprobar si hay fugas de gas?.....	77	14	Solución de problemas.....	85
	• Instrucciones de seguridad.....	77			
	• ¿Qué materiales necesito?.....	77			
	• Para comprobar si hay fugas de gas.....	77			
	• En caso de una fuga de gas.....	78			
8	Preparar el aparato para su uso.....	78			
	• Antes de cada uso.....	78			
	• Antes del primer uso (en un período de tiempo prolongado).....	78			
	• Poner en funcionamiento el aparato.....	78			
9	Encender los quemadores.....	79			
	• Instrucciones de seguridad.....	79			
	• Encender los quemadores principales.....	79			
	• Encender el quemador lateral.....	79			
	• Apagar los quemadores.....	80			
	• Reencender los quemadores.....	80			
	• Comprobar las llamas.....	80			

1 REGISTRAR EL APARATO

Gracias por comprar un aparato de Barbecue. Esperamos que disfrute mucho de esta barbacoa.

Para una mejor experiencia con el producto, registre su aparato en www.barbecue.com. Solo le tomará unos minutos y puede ser muy beneficioso:

- Tendrá acceso a nuestro servicio posventa personalizado. Le permite, por ejemplo, encontrar rápidamente piezas de repuesto para su aparato o beneficiarse de un servicio de garantía óptimo.
- Podemos ofrecerle información actualizada interesante sobre el producto e indicarle la información y las especificaciones relevantes para su aparato.



Para obtener más información y para registrar su aparato, consulte www.barbecue.com.



Barbecue respeta su privacidad. No venderemos, distribuiremos ni compartiremos su información con terceros.

2 ACERCA DE ESTE MANUAL

Este manual consta de dos partes:

- La primera es la que está leyendo ahora, e incluye instrucciones de montaje, uso y mantenimiento de su aparato.
- La segunda parte comienza en la página 379. Incluye todo tipo de ilustraciones (imágenes ampliadas, dibujos de montaje...) de los aparatos que se describen en este manual.

3 INSTRUCCIONES DE SEGURIDAD IMPORTANTES

3.1 Leer y seguir las instrucciones

Lea las instrucciones antes de usar el aparato. Siga siempre las instrucciones detenidamente. Montar o usar el aparato de forma diferente puede provocar incendios y daños materiales.



Los daños producidos por no seguir las instrucciones (montaje inadecuado, uso indebido, mantenimiento inapropiado...) no están cubiertos por la garantía.

3.2 Tener cuidado con el gas

Trabajar con gas es totalmente seguro, pero requiere algunas precauciones adicionales:

- Guarde siempre las bombonas en el exterior, en un lugar con buena ventilación. Asegúrese de que no estén expuestas a calor excesivo o a la luz solar directa.
- No guarde nunca su bombona o la bombona de repuesto en el armario de su aparato.
- Mientras esté en uso, ponga su bombona en el carrito de la bombona del lateral del aparato.
- No guarde nunca la bombona de repuesto cerca de un aparato en uso que funcione con gas.
- Apague siempre el suministro de gas en la bombona después de usarla.
- No fume nunca cerca de un aparato de gas que esté en uso ni cerca de una bombona (llena/vacía).



Si huele a gas, cierre de inmediato el suministro de gas, apague todas las llamas y abra la tapa del aparato. Si el olor persiste, llame a su proveedor de gas o a los bomberos.

3.3 Seleccionar una ubicación adecuada

Use el aparato únicamente al aire libre. Usarlo en interiores, incluso en un garaje o cobertizo, puede provocar envenenamiento por monóxido de carbono.

Cuando seleccione una ubicación al aire libre, siempre:

- Ponga el aparato al menos a tres metros de distancia de cualquier edificio, en una zona abierta y bien ventilada.
- Asegúrese de que haya flujo de aire para los quemadores y los orificios de ventilación del armario en todo momento.
- Asegúrese de que el aparato no esté bajo techo (un porche, refugio...) o debajo de ramas.
- Ponga el aparato sobre una superficie firme y estable. Nunca lo ponga sobre un vehículo en movimiento (un bote, remolque...).

3.4 Usar el sentido común

Use siempre el sentido común cuando utilice el aparato:

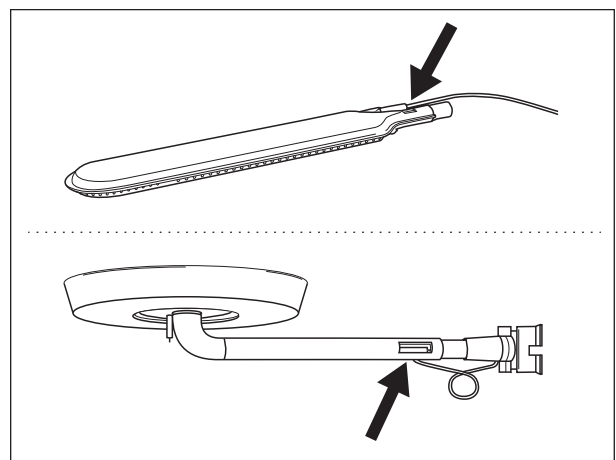
- Úselo solo en exteriores.
- No mueva el aparato durante el uso.
- No deje el aparato sin vigilancia durante el uso, especialmente en presencia de niños y animales.
- **ADVERTENCIA:** Algunas partes accesibles pueden calentarse mucho. Mantenga alejados a los niños pequeños.
- Use protección adecuada cuando toque las partes calientes (tapa, parrilla...).
- El aparato debe mantenerse alejado de materiales inflamables durante el uso.
- Mantenga todo material o líquido inflamable, y los objetos solubles alejados del aparato cuando se esté usando.
- No use madera, carbón, piedras volcánicas ni ladrillos de cerámica en un aparato de gas.
- No use el aparato cuando haya consumido alcohol o drogas.
- No modifique el aparato.

4 CONCEPTOS RECURRENTES

Esta sección incluye definiciones de algunos conceptos menos familiares. Estos conceptos se usan en varios temas del manual.

4.1 Venturis


Los venturis son los pequeños tubos conectados a la entrada de los quemadores. En el lateral de los venturis, hay un orificio. Es visible en los quemadores principales y en el quemador lateral:

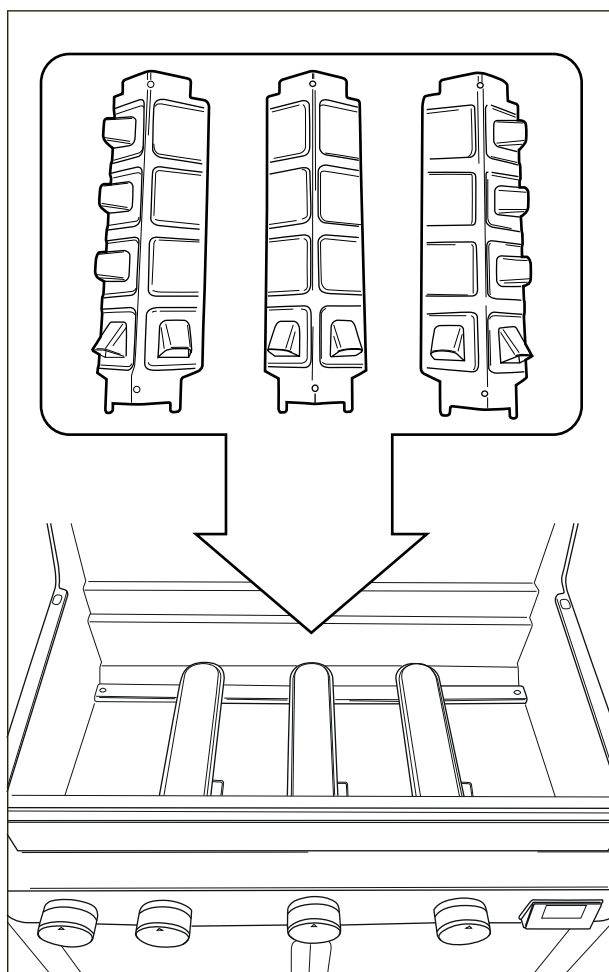


El gas pasa a través de los venturís para ir hacia los quemadores. Gracias a los orificios de los laterales, el gas se mezcla luego con el aire y, como resultado, con oxígeno. Esto es necesario para una buena ignición en los quemadores: solo la correcta mezcla de gas y oxígeno hará que prenda adecuadamente y generará llamas apropiadas.

4.2 Cubiertas de quemadores


Las cubiertas de quemadores son las cubiertas que coloca encima de los quemadores de su aparato. Protegen los quemadores del goteo de grasa y desempeñan un papel esencial en el Turbo Heating System. Los orificios semitapados en los laterales de las cubiertas distribuyen el calor sobre la parrilla, de forma que se calienta mucho más rápido y con mayor uniformidad.

 Preste especial atención a las cubiertas de los quemadores cuando monte su aparato. El Turbo Heating System solo puede funcionar adecuadamente si cada cubierta se monta sobre el quemador correcto.



4.3 Esmalte

Algunas piezas del aparato están cubiertas con una capa de vidrio fundido, llamado esmalte. Este esmalte protege de la corrosión el metal que tiene debajo. El esmalte es un material de alta calidad: es resistente al óxido, no se decolora con las temperaturas elevadas y su mantenimiento es muy fácil.

 Como el esmalte es menos flexible que el metal al que cubre, pueden levantarse trozos de esmalte cuando maneje el aparato de forma incorrecta. Para evitar problemas, tenga precaución al montar las piezas esmaltadas y realice siempre el mantenimiento del esmalte como se describe en este manual.

4.4 Llamaradas

Las llamaradas son llamas repentinas que se levantan del recipiente cuando está cocinando. Normalmente están causadas por la grasa que gotea o el adobo.

5 MONTAR EL APARATO

5.1 Instrucciones de seguridad

- No modifique el aparato cuando lo esté montando. Es muy peligroso y no se permite alterar las piezas que vienen premontadas y/o selladas por el fabricante.
- Siga siempre las instrucciones de montaje detenidamente.
- El usuario es responsable del correcto montaje del aparato. Los daños causados por un montaje inadecuado no están cubiertos por la garantía.

5.2 Para montar el aparato

Necesita un destornillador de estrella, un destornillador de cabeza plana y una pila AA (encendedor eléctrico). Si su aparato incluye un quemador para espetón, también necesitará dos pilas D (motor del quemador para espetón). Las pilas no se suministran con el aparato.

- 1 Instale el aparato sobre una superficie plana y limpia.
- 2 Monte el aparato como se muestra en los dibujos de montaje. Los encontrará en la segunda parte de este manual, después de la imagen ampliada de su aparato.



Tenga precaución al montar las piezas esmaltadas. Las herramientas y los tornillos pueden dañar el esmalte. Use las arandelas de fibra que se proporcionan para proteger el esmalte alrededor de los tornillos.



Puede que los paquetes tipo blíster contengan más tornillos de los necesarios. Puede que sobren tornillos después del montaje.

6 CONECTAR EL GAS AL APARATO

6.1 ¿Qué bombona, manguera y regulador?

Antes de poder conectar el gas al aparato, tiene que comprar una bombona, una manguera y un regulador de presión. Compre siempre materiales que cumplan con todos los estándares nacionales y con el tipo de gas y la presión nominal mencionados en el aparato.

La siguiente tabla le indica qué bombona, manguera y regulador tiene que usar. En Bélgica (BE) por ejemplo, tiene que usar una bombona de propano con una manguera y un regulador de 37 mbar o una bombona de butano con una manguera y un regulador de 28-30 mbar.

País	Bombona, manguera y regulador
DK, GR, NO, SE, EE, LT, LV, CZ, PL, MT, HU, SI, SK	Propano, 30 mbar/Butano, 30 mbar
ES, GB, IE, PT, BE, FR, LU, IT	Propano, 37 mbar/Butano, 28-30 mbar
NL	Propano, 30 o 50 mbar/Butano, 30 mbar
CY	Propano, 30 o 37 mbar/Butano, 28-30 mbar



Le recomendamos conectar el aparato a propano. El propano ofrece una combustión de alta calidad y es menos sensible a la helada



Compre su regulador de presión y su bombona juntos. No todos los reguladores encajan en todas las bombonas.

6.2 Instrucciones de seguridad

- No conecte nunca la bombona directamente al aparato. Primero, monte siempre un regulador de presión en la bombona.
- No modifique nunca las piezas premontadas o selladas de la bombona, la manguera o el regulador de presión.
- Mantenga la manguera lo más corta posible (500 - 650 mm máximo) para evitar que arrastre en el suelo.
- Al conectar la bombona, la manguera y el regulador de presión:
 - No deforme nunca la manguera.
 - Mantenga en todo momento la bombona en posición vertical.
 - No abra nunca el suministro de gas.
- Compruebe si hay fugas cada vez que realice cambios en la conexión de gas. Consulte "7 Comprobar si hay fugas de gas".

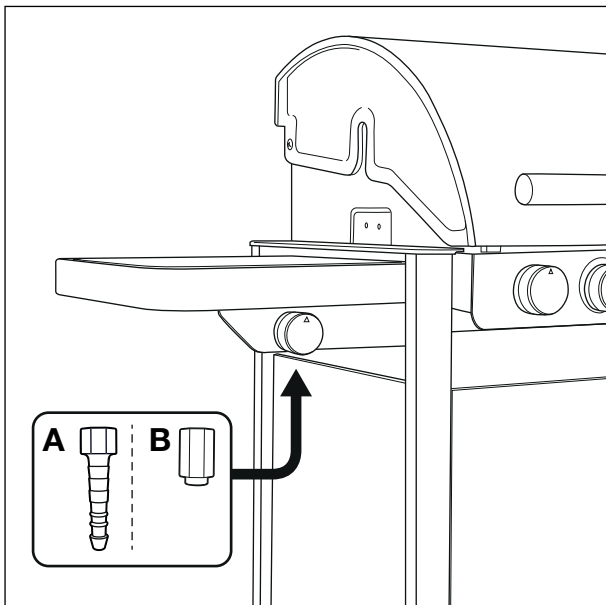
6.3 Conectar la manguera al aparato

Para conectar la manguera del gas al aparato, tiene que montar un acoplamiento en el tubo de gas del aparato. El aparato viene con dos acoplamientos, ambos indicados para países concretos:

País	Acoplamiento
BE, CH, CZ, DK, ES, FI, GB, IE, IT, PT, SI	Acoplamiento A
FR	Acoplamiento B



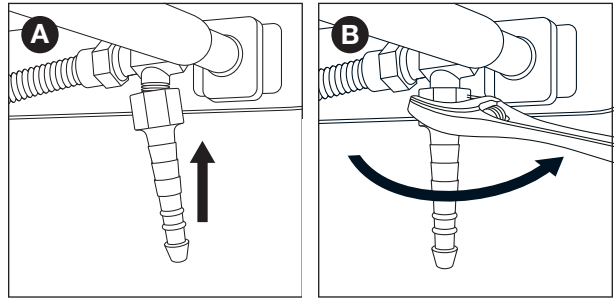
Si su país no está en la tabla, use el acoplamiento que cumpla con sus estándares nacionales.



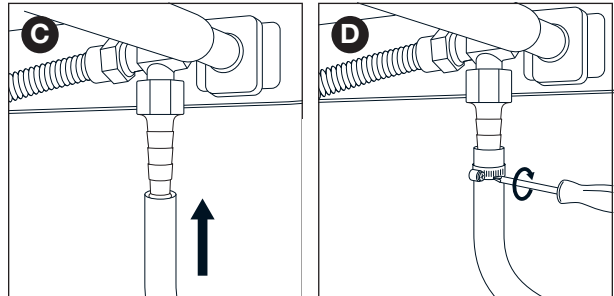
6.3.1 ACOPLAMIENTO A

Necesita una llave inglesa de 19 mm y un destornillador de estrella.

- 1 Enrosque el acoplamiento en el tubo de gas del aparato (A) y apriételo con una llave inglesa de 19 mm (B).



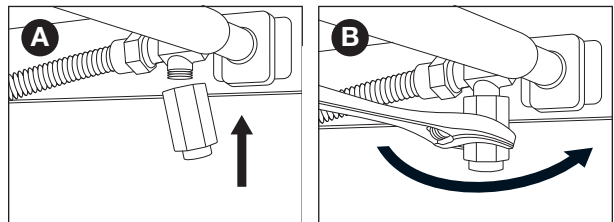
- 2 Deslice la manguera sobre el acoplamiento (C) y apriete al anillo de sujeción con un destornillador de estrella (D).



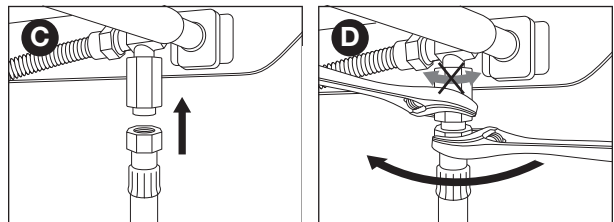
6.3.2 ACOPLAMIENTO B

Necesita una llave inglesa de 22 mm y una llave inglesa ajustable.

- 1 Enrosque el acoplamiento en el tubo de gas del aparato (A) y apriételo con una llave inglesa de 22 mm (B).



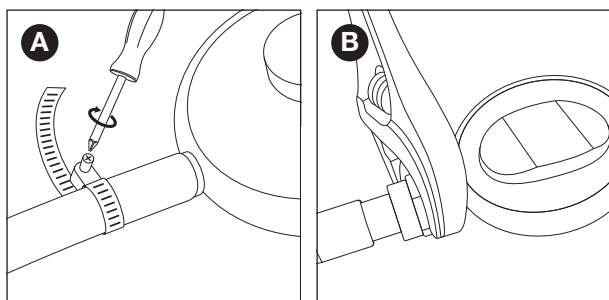
- 2 Enrosque la manguera de gas en el acoplamiento (C) y apriétela con dos llaves inglesas. Sujete el acoplamiento con una llave inglesa de 22 mm, mientras gira la manguera con una llave inglesa ajustable (D).



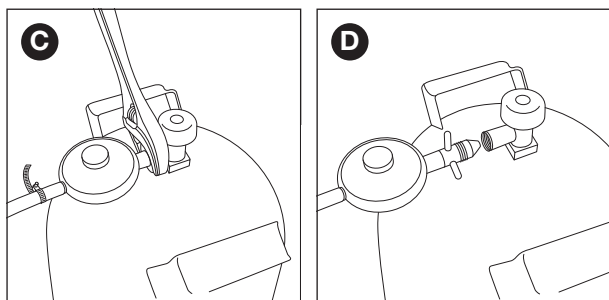
6.4 Conectar la manguera y la bombona al regulador

Dependiendo del tipo de regulador de presión que use, necesitará un destornillador de estrella y una llave inglesa ajustable.

- 1 Conecte la manguera al regulador de presión. Realice una de las siguientes:
 - Si la manguera tiene un anillo de sujeción, deslice la manguera sobre el regulador y apriete el anillo de sujeción con un destornillador de estrella (A).
 - Si la manguera tiene una tuerca, enrosque la manguera en el regulador y apriete la tuerca con una llave inglesa ajustable (B).



- 2 Conecte el regulador de presión a la bombona. Realice una de las siguientes:
 - Si el regulador tiene una tuerca, enrosque el regulador en el sentido de las agujas del reloj en la bombona y apriete la tuerca con una llave inglesa ajustable (C).
 - Si el regulador tiene una rosca de tornillo, enrosque el regulador en sentido contrario a las agujas del reloj en la bombona (D).



6.5 Sustituir la bombona

- 1 Cierre el suministro de gas y ajuste todos los mandos en OFF.
- 2 Desconecte la bombona vacía y conecte la bombona llena.
- 3 Compruebe que la bombona, la manguera y todas las conexiones de gas no presenten fugas. Consulte "7 Comprobar si hay fugas de gas".

7 COMPROBAR SI HAY FUGAS DE GAS

7.1 ¿Por qué comprobar si hay fugas de gas?

El propano y el butano son más densos que el aire. Como resultado, no se van volando cuando el aparato tiene una fuga. Especialmente en días sin viento, una fuga puede provocar que el gas se acumule en el aparato o alrededor de este. El gas acumulado puede incendiarse y explotar.

7.2 ¿Cuándo comprobar si hay fugas de gas?

- Antes del primer uso o antes del primer uso después de un periodo prolongado sin usarlo.



Compruebe también las fugas de gas si fue el distribuidor quien montó su aparato.

- Cada vez que cambie un componente de gas.
- Al menos una vez al año, preferiblemente al comienzo de la temporada.

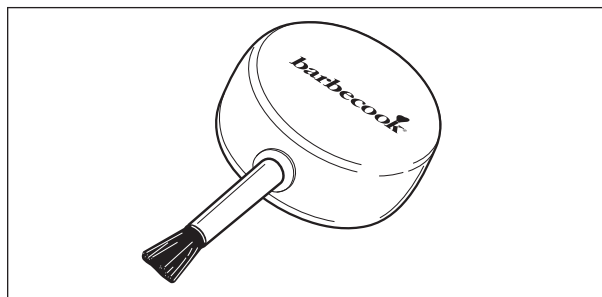
7.3 Instrucciones de seguridad

- Coloque el aparato en el exterior, en un lugar con buena ventilación. Asegúrese de que no haya llamas ni fuentes de calor cerca del aparato.
- No use nunca un encendedor ni una cerilla para comprobar si hay fugas de gas.
- No fume ni encienda los quemadores mientras comprueba si hay fugas de gas.

7.4 ¿Qué materiales necesito?

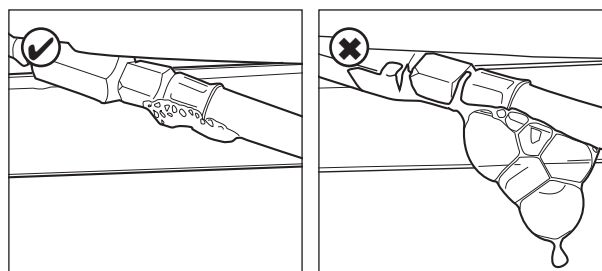
Para comprobar si hay fugas de gas, necesita:

- Un líquido de prueba. Puede usar un spray de fugas listo para usar o una mezcla de agua (50 %) y lavavajillas (50 %).
- La herramienta de prueba de fugas que viene con su aparato. La utiliza para absorber el líquido de prueba y aplicarlo a la conexión o componente de gas que quiere comprobar.



7.5 Para comprobar si hay fugas de gas

Compruebe que no haya fugas de gas aplicando líquido de prueba a todos los componentes y conexiones de gas. Si salen burbujas de un componente o conexión particular, existe una fuga de gas:

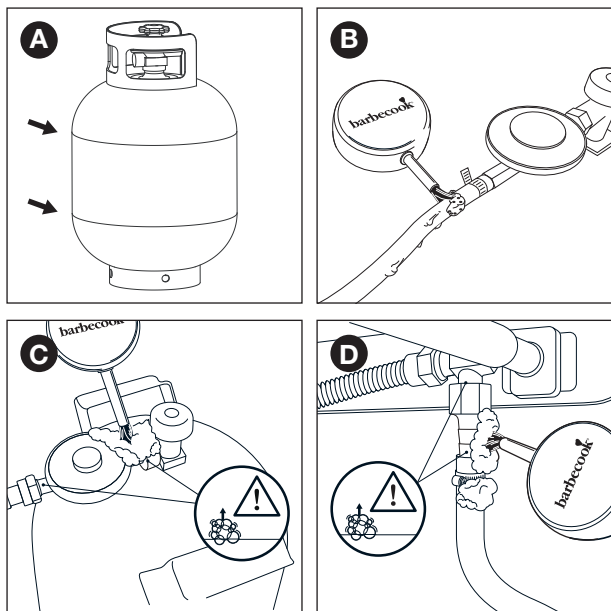


Para comprobar si hay fugas de gas, haga lo siguiente:

- 1 Ponga el aparato en el exterior.
- 2 Consiga una herramienta de prueba de fugas y líquido de prueba (spray de fugas o mezcla de agua/jabón).
- 3 Abra la tapa y ajuste todos los mandos en OFF.
- 4 Abra el suministro de gas ligeramente. Gire la válvula de la bombona de gas solo una vez.

5 Absorba algo de líquido de prueba con la herramienta de prueba de fugas y aplíquelo a la zona que quiere comprobar. Tiene que comprobar:

- Las soldaduras de la bombona (A)
- La manguera (B)
- Las conexiones entre la bombona y el regulador de presión, y entre el regulador de presión y la manguera (C)
- La conexión entre la manguera y el aparato (D)



i Su regulador de presión y su acoplamiento pueden ser diferentes de los de las ilustraciones.

6 Realice una de las siguientes:

- Si detecta una fuga, siga tal como se describe en “En caso de una fuga de gas”.
- Si no detecta fugas, cierre el suministro de gas, enjuague bien con agua todos los componentes y séquelos bien.

7.6 En caso de una fuga de gas

- 1 Cierre el suministro de gas y tome una de las siguientes medidas:
 - Si detecta una fuga en una de las conexiones, apriete esa conexión.
 - Si detecta una fuga en la bombona o la manguera, sustituya la bombona o la manguera.
- 2 Vuelva a comprobar la conexión o el componente en el que detectó la fuga.
- 3 Si la fuga no está reparada, póngase en contacto con un distribuidor de Barbecue. No use el aparato hasta que se repare la fuga.

i Para obtener una lista de distribuidores de Barbecue cercanos, consulte www.barbecue.com.

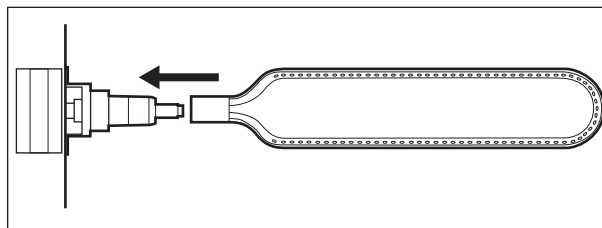
8 PREPARAR EL APARATO PARA SU USO

8.1 Antes de cada uso

Cada vez que use el aparato, asegúrese de que:

- El aparato esté en una ubicación adecuada. Consulte “3.3 Seleccionar una ubicación adecuada”.
- La manguera de gas no arrastre por el suelo y no pueda entrar en contacto con una superficie caliente o con gasa que gotee.

- El recipiente esté limpio. Recomendamos poner un nuevo Leaf® en el recipiente antes de cada uso. Consulte “11.2 Limpiar el recipiente”.
- Los quemadores y venturis no estén bloqueados por nidos de insectos o telas de araña. Consulte “11.3 Limpiar los quemadores y los venturis”.
- El aparato esté correctamente montado. Preste especial atención a:
 - Las cubiertas de los quemadores. Cada cubierta debe colocarse encima del quemador correcto. Consulte “4.2 Cubiertas de quemadores”.
 - Los venturis de los quemadores. Deben colocarse sobre las aberturas de las válvulas de gas.



i Si quiere estar totalmente seguro de que su conexión de gas está bien, puede comprobar si su aparato tiene fugas de gas antes de cada uso. Consulte “7 Comprobar si hay fugas de gas”.

8.2 Antes del primer uso (en un período de tiempo prolongado)

Si utiliza el aparato por primera vez o por primera vez después de un periodo prolongado sin usarlo, tiene que poner en práctica algunas comprobaciones adicionales:

- Asegúrese de haber leído, comprendido y comprobado todas las instrucciones de este manual (solo antes del primer uso).
- Compruebe si el aparato presenta fugas de gas. Consulte “7 Comprobar si hay fugas de gas”.

! Compruebe también las fugas de gas si fue el distribuidor quien montó su aparato.

- Limpie los quemadores y los venturis (solo antes del primer uso en un largo tiempo). Consulte “11.3 Limpiar los quemadores y los venturis”.
- Ponga en funcionamiento los quemadores antes de poner ningún alimento sobre ellos (solo antes del primer uso). Consulte “8.3 Poner en funcionamiento el aparato”.

8.3 Poner en funcionamiento el aparato

Al poner en funcionamiento el aparato antes del primer uso, elimina los restos de grasas del proceso de fabricación del aparato. Proceda como se indica:

- 1 Encienda los quemadores principales y ajuste sus mandos en HIGH. Consulte “9.2 Encender los quemadores principales”.
- 2 Cierre la tapa y deje el aparato en funcionamiento durante 15 minutos. No ponga ningún alimento sobre la parrilla todavía.
- 3 Después de 15 minutos, abra la tapa y deje el aparato en funcionamiento otros 5 minutos (deje los mandos ajustados en HIGH).
- 4 Después de 5 minutos, el aparato está listo para usarse. Ahora, puede poner alimentos sobre la parrilla.

9 ENCENDER LOS QUEMADORES

i Para encender los quemadores con el encendedor eléctrico, debe instalar una pila AA en el encendedor. Esa pila no se suministra con el aparato. Encontrará el compartimento de la pila del encendedor dentro del armario del aparato.

9.1 Instrucciones de seguridad

- Antes de encender el aparato, realice todas las comprobaciones mencionadas en "8 Preparar el aparato para su uso".
- Asegúrese de que la tapa esté siempre abierta cuando encienda un quemador.
- No se incline nunca sobre un quemador mientras lo enciende.

9.2 Encender los quemadores principales

9.2.1 UTILIZAR EL ENCEDEDOR

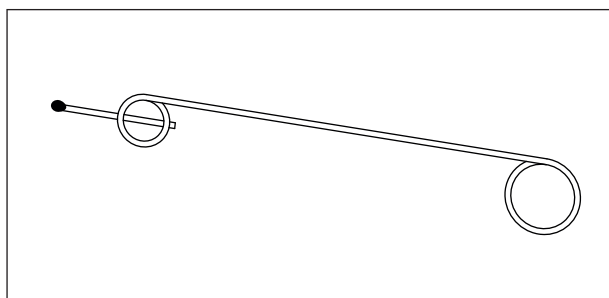
- 1 Abra la tapa y ajuste los mandos de los quemadores principales en OFF.
- 2 Si todavía no se han encendido otros quemadores, abra el suministro de gas y espere diez segundos. Esto permite que el gas se estabilice.
- 3 Presione el mando de un quemador, ajústelo en HIGH y manténgalo pulsado durante un momento. El encendedor incorporado provocará chispas, que encenderán el quemador.

! Encienda siempre un quemador principal para empezar. Nunca encienda todos los quemadores principales al mismo tiempo.

- 4 Si el quemador no se enciende después de tres intentos, ajuste su mando en OFF, cierre el suministro de gas y espere 5 minutos. Esto permite que se disipe todo gas acumulado.
- 5 Vuelva a tratar de encender el quemador. Si sigue sin encenderse, trate de encenderlo con una cerilla o consulte "14 Solución de problemas" para determinar la causa del problema.

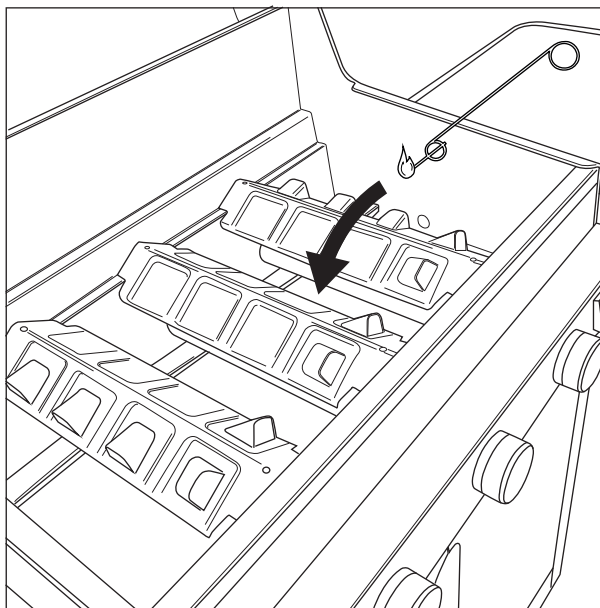
9.2.2 UTILIZAR UNA CERILLA

- 1 Ponga una cerilla en el soporte para cerillas.



- 2 Abra la tapa y ajuste los mandos de los quemadores principales en OFF.
- 3 Si todavía no se han encendido otros quemadores, abra el suministro de gas y espere diez segundos. Esto permite que el gas se estabilice.

- 4 Encienda la cerilla y sujétela a unos 13 mm del quemador.



- 5 Ajuste el mando de un quemador en HIGH.

! Encienda siempre un quemador principal para empezar. Nunca encienda todos los quemadores principales al mismo tiempo.

- 6 Si el quemador no se enciende en 5 segundos, ajuste su mando en OFF, cierre el suministro de gas y espere 5 minutos. Esto permite que se disipe todo gas acumulado.
- 7 Vuelva a tratar de encender el quemador. Si sigue sin encenderse, consulte "14 Solución de problemas" para determinar la causa del problema.

9.3 Encender el quemador lateral

! El quemador lateral solo puede soportar recipientes con un peso máximo de 9 kg y un diámetro máximo de 220 mm.

9.3.1 UTILIZAR EL ENCEDEDOR

- 1 Abra la tapa y ajuste el mando del quemador lateral en OFF.
- 2 Si todavía no se han encendido otros quemadores, abra el suministro de gas y espere diez segundos. Esto permite que el gas se estabilice.
- 3 Presione el mando del quemador lateral, ajústelo en HIGH y manténgalo pulsado durante un momento. El encendedor incorporado provocará chispas, que encenderán el quemador lateral.
- 4 Si el quemador no se enciende después de tres intentos, ajuste su mando en OFF, cierre el suministro de gas y espere 5 minutos. Esto permite que se disipe todo gas acumulado.
- 5 Vuelva a tratar de encender el quemador lateral. Si sigue sin encenderse, trate de encenderlo con una cerilla o consulte "14 Solución de problemas" para determinar la causa del problema.

9.3.2 UTILIZAR UNA CERILLA

- 1 Ponga una cerilla en el soporte para cerillas.
- 2 Abra la tapa y ajuste el mando del quemador lateral en OFF.
- 3 Si todavía no se han encendido otros quemadores, abra el suministro de gas y espere diez segundos. Esto permite que el gas se estabilice.

9.4 Apagar los quemadores

Si ya no va a usar los quemadores, debe apagarlos. Proceda como se indica:

- 1 Cierre el suministro del gas.
- 2 Ajuste los mandos de los quemadores en OFF.



Al cerrar primero el suministro del gas, se asegura de que no quede gas en el aparato.

9.5 Reencender los quemadores

Si un quemador se apaga mientras está en uso, haga lo siguiente:

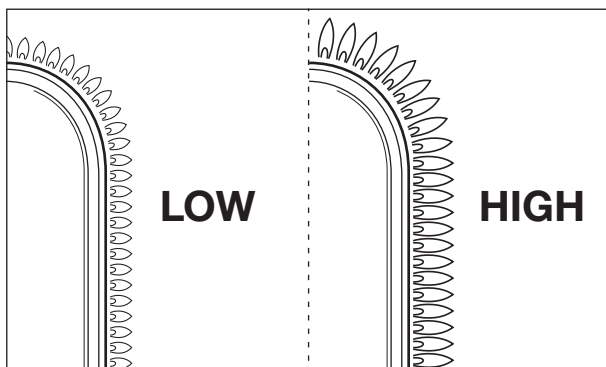
- 1 Abra la tapa y cierre el suministro de gas.
- 2 Ajuste todos los mandos en OFF y espere 5 minutos. Esto permite que se disipe todo gas acumulado.
- 3 Vuelva a encender el quemador o quemadores.

9.6 Comprobar las llamas

Cada vez que encienda un quemador, debe comprobar sus llamas. Una llama perfecta es casi completamente azul, con un poco de amarillo en la parte superior. Las llamas amarillas esporádicas son normales y no resultan peligrosas.

Si las llamas presentan algún problema, aplique una de las siguientes opciones para solucionar el problema:

Si las llamas están...	Haga lo siguiente...
Bajas y totalmente amarillas	<ol style="list-style-type: none">1 Cierre de inmediato el suministro de gas y ponga todos los mandos en OFF.2 Consulte "14 Solución de problemas" para determinar la causa del problema. Lo más probable es que los venturís estén bloqueados.
Más altas que el recipiente	<ol style="list-style-type: none">1 Cierre de inmediato el suministro de gas y ponga todos los mandos en OFF.2 Espere 5 minutos para permitir que escape cualquier gas acumulado.3 Vuelva a encender el quemador o quemadores.4 Si el problema persiste, consulte "14 Solución de problemas" para determinar la causa del problema.



10 CONSEJOS Y TRUCOS ÚTILES

10.1 Precalentar el aparato.

Al precalentar su aparato, se asegura de que la parrilla esté lo suficientemente caliente en el momento de poner los alimentos sobre ella. Proceda como se indica:

- 1 Encienda el quemador o quemadores y ajuste sus mandos en HIGH.
- 2 Cierre la tapa y deje el aparato en funcionamiento durante diez minutos.
- 3 Después de diez minutos, abra la tapa y ponga los alimentos sobre la parrilla.
- 4 Si necesita menos calor en ese momento, ajuste los mandos a una posición más baja.

10.2 Evitar que se peguen los alimentos

Para evitar que se peguen los alimentos a la parrilla:

- Use una brocha para extender una capa ligera de aceite sobre los alimentos antes de ponerlos en la parrilla. También puede aplicar el aceite sobre la parrilla.
- Precaliente el aparato. Cuanto más caliente esté la parrilla cuando ponga los alimentos sobre ella, menos se pegarán.
- No le dé la vuelta a los alimentos demasiado pronto. Déjelos que se cocinen bien primero.

10.3 Asado directo e indirecto

Dependiendo del tipo de alimento que esté preparando y de cómo quiera prepararlo, puede asarlo directa o indirectamente:

Método	Descripción	Uso
Directo	Ponga sus alimentos directamente sobre un quemador encendido, ajuste el quemador a una posición alta y mantenga la tapa abierta.	Para sellar carne y verduras
Indirecto	Ponga sus alimentos cerca de un quemador encendido, ajuste el quemador a una posición media/baja y cierre la tapa.	Para terminar de cocinar carne sellada



Cuando cocine con la tapa cerrada, no deje de mirar el termómetro de la tapa para asegurarse de que el aparato no se caliente demasiado. Consulte "10.5 Controlar la temperatura".

10.4 Cocinar con la tapa cerrada

Cerrar la tapa mientras cocina tiene algunas ventajas importantes:

- La temperatura de la parrilla es superior y se mantiene más uniforme.
- Reduce el tiempo de cocinado de sus alimentos y conserva la humedad de la comida.
- Reduce las llamaradas y ahorra gas.



Cuando cocine con la tapa cerrada, no deje de mirar el termómetro de la tapa para asegurarse de que el aparato no se caliente demasiado. Consulte "10.5 Controlar la temperatura".

10.5 Controlar la temperatura

Su aparato está equipado con quemadores potentes, por lo que se calienta rápidamente y puede mantener la temperatura estable. Cuando cocine con la tapa cerrada, tiene que asegurarse de que el aparato no se caliente demasiado. No pierda de vista el termómetro de la tapa y tenga en cuenta las siguientes pautas:

- La temperatura normal de cocinado es de aproximadamente 210 °C. A temperaturas superiores, el goteo de grasa y la grasa acumulada pueden incendiarse.
- La temperatura nunca debe ser superior a 300 °C durante más de cinco minutos. Esto podría dañar y deformar el aparato.



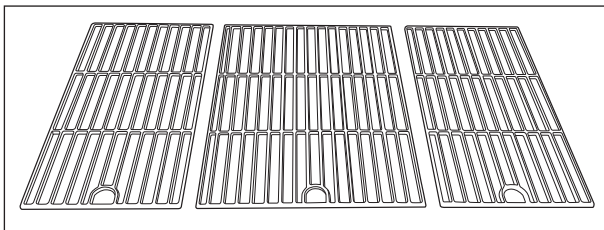
Si el aparato se calienta demasiado, enfríelo abriendo la tapa y ajustando los quemadores en una posición más baja.

10.6 Usar de forma óptima el calor

La parte central del recipiente está más caliente que los laterales. Para permitirle usar la parte más caliente a su pleno potencial el aparato está equipado con parrillas de diferentes tamaños. Viene con:

- Una parrilla grande, para colocarla en el centro del recipiente.
- Dos parrillas más pequeñas, para colocarlas en los laterales del recipiente.

Si coloca las parrillas correctamente en el recipiente y enciende todos los quemadores, toda la parrilla central se calentará al máximo. Así, expande la parte más caliente del recipiente y puede hacer un uso óptimo de la superficie de la parrilla de su aparato.



10.7 Aprovechar las zonas calientes

Cuando todos los quemadores están encendidos, las cubiertas de los quemadores distribuyen el calor de la forma más homogénea posible por la parrilla. A pesar de este calentamiento uniforme, algunas zonas siguen estando más calientes que otras. Puede aprovechar estas zonas calientes para cocinar sus alimentos de forma perfecta:

Zona	¿Cómo está de caliente?	Use para...
Delantera	Caliente	Cocinar alimentos delicados (gambas, pescado...)
Centro	Más caliente	Preparar alimentos que necesitan tiempo para cocinarse (p. ej., salchichas, rollos de pollo...)
Trasera	La más caliente	Sellar carne y verduras



También puede crear zonas calientes jugando con la potencia de los quemadores. Puede, por ejemplo, ajustar un quemador en una posición baja y usar la zona por encima del quemador para alimentos delicados o alimentos que necesitan tiempo para cocinarse.

10.8 Evitar llamaradas

Es normal que se produzcan algunas llamaradas cuando se está cocinando a la parrilla. Sin embargo, demasiadas llamaradas elevan la temperatura en el aparato y pueden incendiar la grasa acumulada. Para evitar las llamaradas:

- Asegúrese de que el recipiente esté limpio al empezar a cocinar. Recomendamos poner un nuevo Leaf® en el recipiente antes de cada uso. Consulte "11.2 Limpiar el recipiente".
- Compruebe regularmente que el orificio del escurridor de grasa no esté bloqueado y que el cuenco de recogida de grasa o la bandeja de goteo de grasa no estén llenos todavía.
- Cuando cocine carne con bastante grasa, recorte el exceso de grasa, cierre la tapa y ajuste los quemadores en una posición media o baja.

11 MANTENIMIENTO DEL APARATO

11.1 Limpiar la parrilla

Le recomendamos limpiar la parrilla después de cada uso con el limpiador Barbecue. Proceda como se indica:

- 1 Rocíe la espuma sobre la parrilla y déjela actuar un rato.
La espuma cambiará de color a medida que absorba la suciedad y la grasa.
- 2 Retire la espuma con una esponja suave y agua, enjuague bien la parrilla.
- 3 Seque bien la parrilla y guárdela en un lugar seco. Eso evita que se oxide.



También puede limpiar la parrilla con un detergente suave o con bicarbonato sódico. Nunca use limpiadores de horno en la parrilla.

11.2 Limpiar el recipiente

Le recomendamos limpiar el recipiente después de cada uso. La forma más sencilla de hacerlo es colocar un Leaf® en el recipiente antes de empezar a cocinar. El Leaf® es un papel de aluminio que se ajusta al recipiente perfectamente y que atrapa todos los residuos y grasas. Cuando el aparato se enfríe, solo tiene que retirar el Leaf® y el recipiente estará limpio.



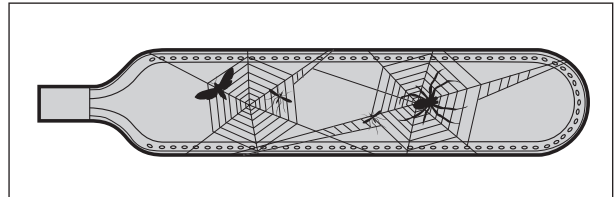
Registre su aparato en www.barbecue.com para averiguar qué tipo de Leaf® necesita.

11.3 Limpiar los quemadores y los venturis

11.3.1 ¿POR QUÉ LIMPIAR LOS QUEMADORES Y LOS VENTURIS?

Las arañas y los insectos pueden hacer sus telas y nidos en los quemadores y los venturis. Esto puede bloquear el suministro de gas a los quemadores. Como resultado:

- No puede encender los quemadores. Si a pesar de todo consigue encenderlos, solo producirán llamas humeantes y amarillas.
- El gas puede empezar a arder fuera de los venturis, en los mandos. Las llamas pueden retroceder y provocar lesiones graves y daños en los materiales.



Los daños producidos por quemadores y venturis bloqueados se consideran mantenimiento inapropiado y no están cubiertos por la garantía.

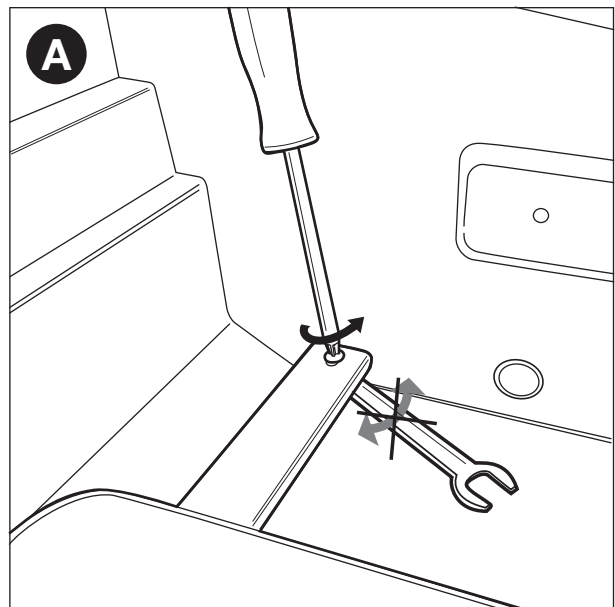
11.3.2 ¿CUÁNDO LIMPIAR LOS QUEMADORES Y LOS VENTURIS?

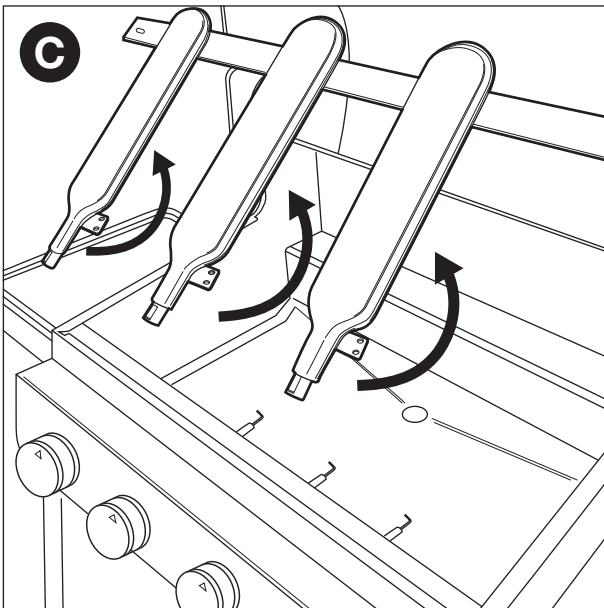
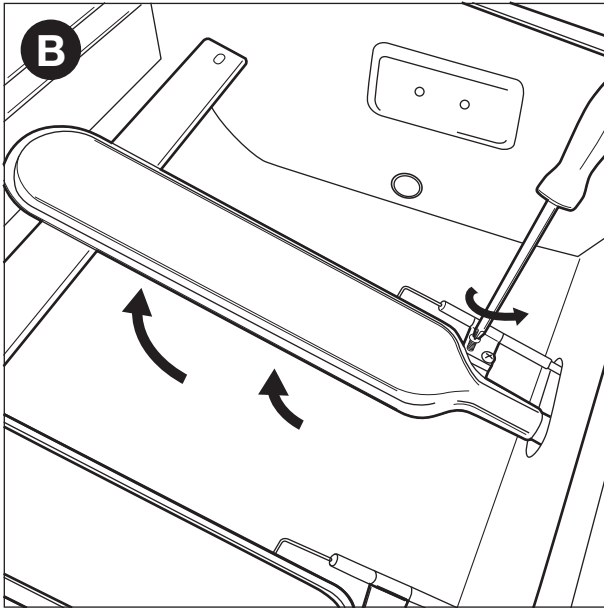
Debe limpiar los quemadores y los venturis del aparato:

- Antes del primer uso después de un periodo prolongado sin usarlo.
- Al menos dos veces al año, una de las cuales será al comienzo de la temporada.

11.3.3 PARA LIMPIAR LOS QUEMADORES Y LOS VENTURIS

- 1 Retire los quemadores del aparato tal como indican las ilustraciones. Si advierte que un quemador está dañado, debe sustituirlo.






- 2 Limpie los quemadores y los venturis con un pequeño cepillo o un limpiador de tubos casero (un clip desdoblado, un cepillo para tubos...).
- 3 Vuelva a poner los quemadores. Asegúrese de colocar los venturis sobre las aberturas de las válvulas de gas.


11.4 Mantener las piezas de esmalte, acero inoxidable y revestimiento de pintura en polvo

El aparato consta de piezas esmaltadas, de acero inoxidable y con revestimiento de pintura en polvo. Cada material debe mantenerse de forma diferente:

Material	Cómo mantener este material
Esmalte	<ul style="list-style-type: none"> • No use objetos afilados y no lo golpee contra una superficie dura. • Evite el contacto con líquidos fríos mientras todavía está caliente. • Puede usar esponjas de metal y detergentes abrasivos.

Material	Cómo mantener este material
Acero inoxidable	<ul style="list-style-type: none"> • No use detergentes agresivos, abrasivos o detergentes para metal. • Use detergentes suaves y déjelos actuar sobre el acero. • Utilice una esponja o un paño suave. • Enjuague bien después de limpiar y déjelo secar completamente antes de guardarlo.
Revestimiento de pintura en polvo	<ul style="list-style-type: none"> • No use objetos afilados. Utilice detergentes suaves y una esponja o un paño suave. • Enjuague bien después de limpiar y déjelo secar completamente antes de guardarlo.

 Para evitar la formación de óxido en el acero inoxidable, evite el contacto con cloro, hierro y sal. Le recomendamos no usar el aparato cerca de la costa, de vías del tren ni de piscinas.

 Los daños producidos por no seguir estas instrucciones se consideran mantenimiento inapropiado y no están cubiertos por la garantía.

Debajo de la imagen ampliada de su aparato (en la segunda parte del manual), encontrará una lista de todas las piezas de las que consta el aparato. La lista incluye un símbolo del material de cada pieza que le servirá de referencia para comprobar cómo mantener esa pieza en particular. La lista de piezas usa los siguientes símbolos:

Símbolo	Material
●	Esmalte
■	Acero inoxidable
★	Revestimiento de pintura en polvo

11.5 Guardar el aparato

Si no utiliza el aparato durante un periodo de tiempo prolongado, guárdelo en un lugar seco. Antes de guardar el aparato:

- Desconecte la bombona. No guarde nunca el aparato en interiores (ni siquiera en un garaje o cobertizo) mientras esté conectado a la bombona.
- Limpie los quemadores y las parrillas, frótelos con aceite y envuélvalos con papel.
- Si el aparato está equipado con un quemador para espetón, retire el motor del quemador para espetón y guárdelo en un lugar seco.
- Cubra el aparato con una Barbecue funda. Registre su aparato en www.barbecue.com para averiguar qué funda necesita.

11.6 Guardar las bombonas

Estas instrucciones se aplican tanto a las bombonas vacías como a las llenas.

- Guarde siempre las bombonas en el exterior, en un lugar con buena ventilación. Asegúrese de que no estén expuestas a calor excesivo o a la luz solar directa.
- No guarde nunca una bombona en un lugar que pueda acumular mucho calor (en un coche, en un barco...).
- No guarde nunca su bombona o la bombona de repuesto en el armario de su aparato.

- No guarde nunca la bombona de repuesto cerca de un aparato en uso que funcione con gas.
- Guarde siempre las bombonas fuera del alcance de los niños.
- Guarde y transporte siempre las bombonas en posición vertical.

11.7 Pedir piezas de repuesto

Las piezas que están directamente expuestas a las llamas o a calor intenso deben reemplazarse de vez en cuando. Para pedir una pieza de repuesto:

- 1 Busque el número de referencia de la pieza que necesita. Encontrará una lista de todos los números de referencia debajo de las imágenes ampliadas en la segunda parte de este manual y en www.barbecue.com.



Si registró su aparato en línea, le indicaremos automáticamente a la lista correcta.

- 2 Pida las piezas de repuesto en el punto de venta. Puede hacer pedidos de piezas dentro o fuera de garantía.

12 GARANTÍA

12.1 Cubierto

Su aparato viene con una garantía de dos años desde la fecha de compra. Esta garantía cubre todos los defectos de fabricación, teniendo en cuenta que:

- Haya usado, montado y mantenido su aparato de acuerdo con las instrucciones de este manual. Los daños causados por uso incorrecto, montaje indebido o mantenimiento inapropiado no se consideran defectos de fabricación.
- Pueda presentar el recibo y el número de serie exclusivo de su aparato. El número de serie empieza con una G, seguida de 15 números. Lo encontrará en:
 - Este manual y en el paquete básico que incluía el manual.
 - El embalaje del aparato.
 - La placa de características en el interior de la puerta del armario.
- El departamento de calidad de Barbecue confirma que las piezas sean defectuosas y que demuestren ser defectuosas bajo un uso normal, un montaje correcto y un mantenimiento apropiado.

Si no se cumple una de las condiciones anteriores, no puede reclamar ninguna forma de compensación. En todos los casos, la garantía se limita a la reparación o el reemplazo de las piezas defectuosas.

12.2 No cubierto

Los siguientes daños y defectos no están cubiertos por la garantía:

- Uso y desgaste normales (óxido, deformación, decoloración) de las piezas que están directamente expuestas a las llamas o a un calor intenso. Es normal reemplazar estas piezas de vez en cuando.
- Irregularidades visuales inherentes al proceso de fabricación. Estas irregularidades no se consideran defectos de fabricación.
- Todos los daños producidos por un mantenimiento inadecuado, un almacenamiento incorrecto, un montaje inapropiado o modificaciones realizadas en las piezas premontadas.

- Todos los daños producidos por el abuso o uso incorrecto del aparato (no usarlo de acuerdo a las instrucciones de este manual, usarlo para fines comerciales...).
- Todos los daños derivados de un uso descuidado o indebido del aparato.
- Óxido o decoloración provocados por elementos externos, el uso de detergentes agresivos, exposición a cloro... Estos daños no se consideran defectos de fabricación.

13 ESPECIFICACIONES TÉCNICAS

13.1 Placa de características

La placa de características detalla todas las especificaciones técnicas de su aparato. Lo encontrará en:

- En la segunda parte de este manual.
- En el interior de la puerta del armario.

13.2 Diámetros del inyector

- Quemador principal: 0,991 mm
- Quemador lateral: 0,88 mm

14 SOLUCIÓN DE PROBLEMAS

Problema	Causa o causas probables	Solución o soluciones
No produce suficiente calor	<ul style="list-style-type: none"> El suministro de gas no está abierto Los venturis no están colocados sobre las aberturas de las válvulas de gas Las aberturas de los quemadores están bloqueadas La bombona está (casi) vacía El regulador de presión no está conectado correctamente a la bombona o a la manguera 	<ul style="list-style-type: none"> Abra el suministro de gas Coloque los venturis sobre las aberturas de las válvulas de gas Limpie las aberturas de los quemadores o sustituya los quemadores Cambie la bombona Vuelva a conectar el regulador de presión a la bombona o la manguera
Llamaradas o calor excesivos	<ul style="list-style-type: none"> Alimentos demasiado grasos Orificio del escurridor de grasa bloqueado, grasa en el recipiente o grasa en los quemadores Las cubiertas de los quemadores no están montadas correctamente La temperatura es demasiado alta 	<ul style="list-style-type: none"> Recorte el exceso de grasa o ajuste los quemadores a una posición baja Limpie el orificio del escurridor de grasa, el recipiente y los quemadores Monte las cubiertas de los quemadores correctamente Ajuste los quemadores a una temperatura más baja y cocine los alimentos indirectamente
El calor no se distribuye uniformemente por la superficie de la parrilla	<p>Algunas diferencias de calor son normales, consulte "11.6 Usar de forma óptima el calor" y "11.7 Aprovechar las zonas calientes". Causas probables de grandes diferencias de calor:</p> <ul style="list-style-type: none"> Las cubiertas de los quemadores no están montadas correctamente No se ha precalentado el aparato 	<ul style="list-style-type: none"> Monte las cubiertas de los quemadores correctamente Precalente el aparato
Llamas amarillas	<ul style="list-style-type: none"> Quemadores o venturis bloqueados Sal en los quemadores Aparato conectado al butano 	<ul style="list-style-type: none"> Limpie los quemadores y los venturis Limpie los quemadores Conecte el aparato al propano, usando un regulador de presión adecuado
Llama incompleta	Quemador bloqueado, agujereado u oxidado	Limpie o sustituya el quemador
Retroceso de las llamas (llamas saliendo por fuera de los venturis/por los mandos)	Quemadores o venturis bloqueados	<ol style="list-style-type: none"> Cierre el suministro de gas y ajuste los quemadores en OFF. Deje que el aparato se enfríe. Limpie los quemadores y los venturis.
Llamas más altas que el borde del recipiente	<ul style="list-style-type: none"> Mucho viento La bombona está (casi) vacía Grasa en el recipiente o los quemadores 	<ul style="list-style-type: none"> Ponga el aparato con la parte posterior hacia el viento Cambie la bombona Limpie el recipiente, limpie los quemadores y sustituya el Leaf®
El regulador de presión emite un zumbido	<ul style="list-style-type: none"> Tiempo caluroso Bombona nueva (llena) 	No es un riesgo ni un defecto. Debería parar automáticamente después de un rato.
Los quemadores emiten un silbido cuando se ajustan en LOW	Inyector de gas, venturi o quemador sucios	Limpie el inyector de gas, el venturi y el quemador
Imposible encender el quemador (usando el encendedor o cerillas)	<ul style="list-style-type: none"> Quemador o venturi bloqueado No hay suministro de gas 	<ul style="list-style-type: none"> Limpie el quemador y el venturi Abra el suministro de gas y pulse el botón de seguridad del regulador de presión (no está presente en todos los reguladores)

Problema	Causa o causas probables	Solución o soluciones
Imposible encender el quemador con el encendedor	<ul style="list-style-type: none"> • La pila no está instalada o no está instalada correctamente • El cableado del encendedor no está montado correctamente • Electrodo dañado • Fallo en la toma de tierra • Encendedor defectuoso 	<ul style="list-style-type: none"> • Vuelva a instalar la pila, con los terminales colocados correctamente • Compruebe y vuelva a montar todas las conexiones del encendedor • Sustituya el electrodo • Compruebe y vuelva a montar los electrodos, los quemadores y el encendedor • Sustituya el encendedor
Al pulsar el encendedor no se producen chispas ni se emiten sonidos	<ul style="list-style-type: none"> • La pila no está instalada o no está instalada correctamente • Pila gastada • El botón del encendedor no está montado correctamente • Piezo eléctrico defectuoso 	<ul style="list-style-type: none"> • Vuelva a instalar la pila, con los terminales colocados correctamente • Cambie la pila • Vuelva a montar el botón del encendedor • Sustituya el piezoeléctrico
Al pulsar el encendedor solo se emiten sonidos (no se producen chispas)	<ul style="list-style-type: none"> • Fallo en la toma de tierra • El quemador y el electrodo están demasiado separados 	<ul style="list-style-type: none"> • Vuelva a conectar el piezoeléctrico y los electrodos • Doble ligeramente el electrodo para acercarlo al quemador
Se producen chispas que no se originan en los quemadores	Cableado defectuoso	Sustituya el cableado
Hay chispas, pero no en todos los electrodos o no lo bastante potentes	<ul style="list-style-type: none"> • Fallo en la toma de tierra • Pila descargada • Electrodos húmedos o rotos 	<ul style="list-style-type: none"> • Vuelva a conectar el piezoeléctrico y los electrodos • Cambie la pila • Seque los electrodos con papel de cocina o sustituya los electrodos

IT - GUIDA ALL'USO


1	Registrazione del barbecue	90	10	Consigli e suggerimenti utili	96
2	Informazioni sul presente manuale	90		• Preriscaldare il barbecue.....	96
3	Istruzioni importanti per la sicurezza.....	90		• Come evitare che i cibi si attacchino	97
	• Lettura e rispetto delle istruzioni	90		• Cottura alla griglia diretta e indiretta	97
	• Far attenzione al gas	90		• Cottura con il coperchio chiuso	97
	• Scelta della giusta posizione.....	90		• Controllare la temperatura.....	98
	• Il buon senso prima di tutto.....	90		• Uso ottimale del calore	98
4	Concetti ricorrenti.....	90		• Sfruttare le zone calde	98
	• Tubi di Venturi.....	90		• Per evitare le vampate.....	98
	• Spartifiamma dei fornelli.....	91	11	Manutenzione del barbecue	98
	• Superfici smaltate.....	91		• Pulizia della griglia.....	98
	• Vampate	91		• Pulizia del braciere	98
5	Montaggio del barbecue	91		• Pulire i fornelli e i tubi di Venturi	98
	• Istruzioni per la sicurezza	91		• Cura delle parti smaltate, in acciaio inossidabile e verniciate a polvere	99
	• Montaggio del barbecue	91		• Conservazione del barbecue	99
6	Collegamento del gas al barbecue	91		• Conservazione delle bombole.....	99
	• Scelta di bombola, tubo flessibile e regolatore	91		• Ordinazione di ricambi	100
	• Istruzioni per la sicurezza	92	12	Garanzia.....	100
	• Collegamento del tubo flessibile al barbecue	92		• Difetti coperti.....	100
	• Collegamento del tubo flessibile e della bombola al regolatore	92		• Difetti non coperti.....	100
	• Sostituzione della bombola.....	93	13	Specifiche tecniche.....	100
7	Controllo di eventuali perdite di gas	93		• Etichetta identificativa	100
	• Perché controllare eventuali perdite di gas?	93		• Diametro degli iniettori	100
	• Quando controllare eventuali perdite di gas?.....	93	14	Risoluzione dei problemi.....	101
	• Istruzioni per la sicurezza	93			
	• Materiali occorrenti.....	93			
	• Controllo di eventuali perdite di gas.....	93			
	• In caso di perdite di gas	94			
8	Preparazione all'uso del barbecue.....	94			
	• Prima dell'utilizzo.....	94			
	• Primo utilizzo (dopo un lungo periodo).....	94			
	• Accensione del barbecue.....	94			
9	Accensione dei fornelli	95			
	• Istruzioni per la sicurezza	95			
	• Accensione dei fornelli principali.....	95			
	• Accensione del fornello laterale.....	95			
	• Spegnere i fornelli.....	96			
	• Riaccensione dei fornelli	96			
	• Controllo della fiamma	96			


1 REGISTRAZIONE DEL BARBECUE

Grazie per aver acquistato un barbecue Barbecook! Siamo certi che sarà occasione di numerose e piacevoli grigliate.

Per sfruttare tutte le potenzialità del barbecue, effettuare la registrazione sul sito www.barbecook.com. La procedura richiede pochi minuti e offre grandi benefici:

- Accesso al servizio personalizzato di post-vendita, tramite il quale è possibile, ad esempio, trovare rapidamente i ricambi del barbecue o usufruire della migliore assistenza in garanzia.
- Informazioni su interessanti aggiornamenti dei prodotti e indicazioni sui dati e le specifiche importanti relative al barbecue acquistato.

 Per altre informazioni sulla registrazione del barbecue, visitare il sito www.barbecook.com.

 Barbecook rispetta la privacy dei propri clienti. I dati personali non vengono venduti, distribuiti o condivisi con terzi.

2 INFORMAZIONI SUL PRESENTE MANUALE


Il manuale si compone di due parti:

- La prima è la sezione che si sta leggendo adesso. Contiene le istruzioni per il montaggio, l'uso e la manutenzione del barbecue.
- La seconda inizia a pagina 379. Contiene tutte le illustrazioni (viste esplose, disegni di montaggio e altro) dei barbecue che sono descritti nel presente manuale.

3 ISTRUZIONI IMPORTANTI PER LA SICUREZZA

3.1 Lettura e rispetto delle istruzioni


Leggere le istruzioni prima di utilizzare il barbecue. Seguire sempre attentamente le istruzioni. In caso di montaggio o uso non conforme possono scatenarsi incendi e verificarsi danni materiali.

 I danni causati dal mancato rispetto delle istruzioni (montaggio non corretto, uso improprio, manutenzione inadeguata...) non sono coperti dalla garanzia.

3.2 Far attenzione al gas

Si può lavorare in completa sicurezza con il gas, ma occorrono ulteriori attenzioni:

- Custodire sempre le bombole all'aperto, in luoghi ben ventilati. Assicurarsi che non siano esposte ad eccessivo calore o a luce solare diretta.
- Non riporre mai la bombola del gas o quelle di ricambio nell'armadietto del barbecue.
- Durante l'uso, appoggiare la bombola del gas nel carrello a fianco del barbecue.
- Non riporre la bombola del gas di riserva vicino a un barbecue a gas acceso.
- Dopo l'uso, chiudere sempre il gas della bombola.
- Non fumare mai in prossimità del barbecue a gas o vicino alla bombola del gas (sia vuota che piena).

 Se si sente puzza di gas, chiudere immediatamente il gas, spegnere tutte le fiamme e aprire il coperchio del barbecue. Se l'odore persiste, rivolgersi al gestore del servizio gas o ai vigili del fuoco.

3.3 Scelta della giusta posizione

Usare il barbecue solo all'aperto. L'uso al chiuso, anche se in un garage o in capanno, potrebbe causare avvelenamento da monossido di carbonio.

Per posizionare il barbecue all'aperto:

- Scegliere una posizione ad almeno tre metri di distanza da qualsiasi costruzione, in un'area aperta e ben ventilata.
- Verificare che l'aria fluisca liberamente sulle braci e sui fori di ventilazione della struttura.
- Non posizionare il barbecue sotto una sporgenza (un balcone, una tettoia, ecc.) o sotto a del fogliame.
- Appoggiare il barbecue su una superficie solida e stabile. Non posizionarlo mai su un veicolo in movimento (una barca, un rimorchio, ecc.).

3.4 Il buon senso prima di tutto

Quando si utilizza il barbecue è necessario applicare sempre il buon senso:

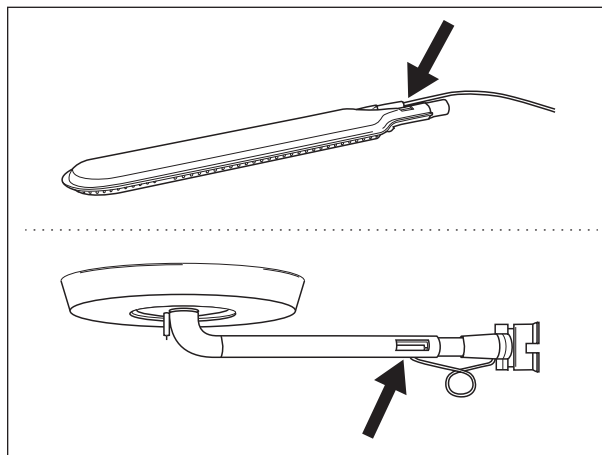
- Utilizzarlo solo all'esterno.
- Non muovere il barbecue durante l'uso.
- Non lasciare il barbecue senza sorveglianza durante l'uso, specie in presenza di bambini e animali.
- ATTENZIONE! Alcune delle parti accessibili possono diventare molto calde. Tenere a distanza i bambini.
- Per toccare le parti calde (coperchio, griglia...) è necessario indossare protezioni adeguate.
- Durante il suo utilizzo, il barbecue va tenuto lontano da materiali infiammabili.
- Quando il barbecue è acceso, non avvicinare materiali o liquidi infiammabili e oggetti che possono sciogliersi.
- Nei barbecue a gas non usare legna, carbone, rocce laviche o mattonelle di ceramica.
- Non usare il barbecue dopo aver bevuto alcool o assunto droghe.
- Non modificare il barbecue.

4 CONCETTI RICORRENTI

In questa sezione sono riportate le definizioni di alcuni concetti poco comuni, utilizzati in varie sezioni di questo manuale.

4.1 Tubi di Venturi

I tubi di Venturi sono piccoli tubi montati all'ingresso dei fornelli. I tubi di Venturi hanno un'apertura laterale, visibile sui fornelli principali e sul fornello laterale:



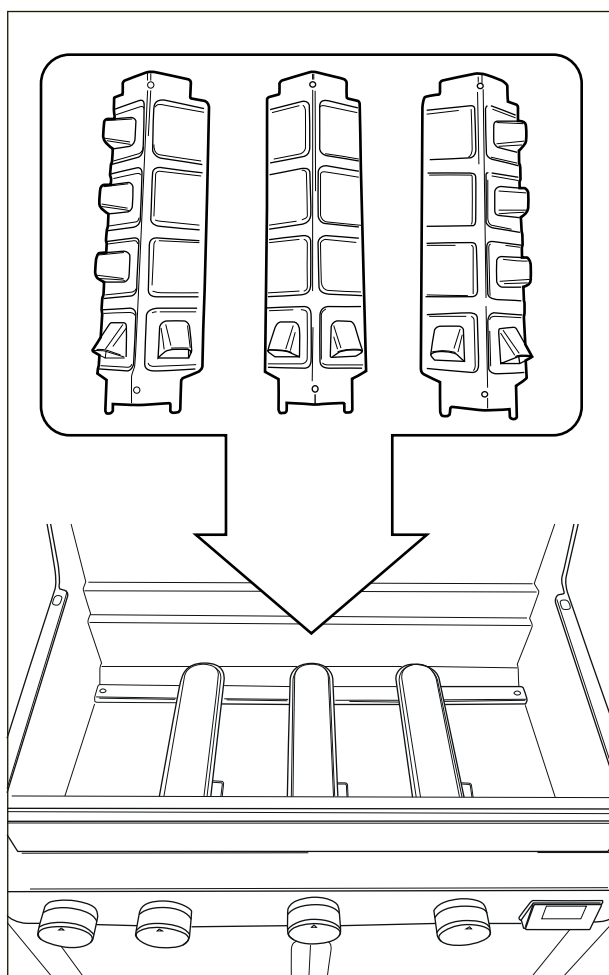
Durante il suo percorso verso i fornelli, il gas passa attraverso i tubi di Venturi. Per effetto delle aperture laterali, il gas si miscela con l'aria e - di conseguenza - con l'ossigeno. Questo è quanto occorre per la buona accensione dei fornelli: solo una miscela corretta di gas e ossigeno brucia appropriatamente e produrrà un bel fuoco.

4.2 Spartifiamma dei fornelli

Gli spartifiamma dei fornelli vanno montati sopra i fornelli del barbecue. Proteggono i fornelli dalle gocce di grasso e hanno un ruolo decisivo nel Turbo Heating System. Le aperture superiori sui lati degli spartifiamma distribuiscono il calore per tutta la griglia, per scaldarla molto più rapidamente e con maggiore uniformità.



Fare attenzione in modo particolare agli spartifiamma dei fornelli, durante il montaggio del barbecue. Il Turbo Heating System funziona correttamente solo se ciascun spartifiamma è stato montato sul proprio fornello.



4.3 Superfici smaltate

Alcune parti del barbecue sono rivestite da uno strato vetrificato, chiamato smalto. La smaltatura protegge il metallo sottostante dalla corrosione. Il materiale dello smalto possiede eccellenti qualità: resiste alla ruggine, non scolorisce alle alte temperature e facilita notevolmente la manutenzione.



Il rivestimento smaltato ha minore flessibilità del metallo sottostante e si potrebbe scheggiare se il barbecue non viene trattato correttamente. Si consiglia di prestare la massima attenzione nel montaggio delle parti smaltate e di eseguire la manutenzione come descritto nel seguito del presente manuale.

4.4 Vampate

Le vampate sono fiamme alte e improvvise che salgono dal braciere mentre si sta grigliando. Sono provocate in genere dal gocciolamento del grasso o della marinatura.

5 MONTAGGIO DEL BARBECUE

5.1 Istruzioni per la sicurezza

- Durante il montaggio non apportare alcuna modifica al barbecue. Le modifiche alle parti preassemblate e/o saldate dal produttore sono molto pericolose e non consentite.
- Seguire sempre attentamente le istruzioni di montaggio.
- L'utilizzatore è responsabile del corretto montaggio del barbecue. I danni causati da un montaggio non corretto non sono coperti da garanzia.

5.2 Montaggio del barbecue

Occorre un cacciavite a croce, un cacciavite a lama piatta e una batteria AA (accensione elettrica). Se il barbecue è dotato del fornello dello spiedo, occorrono anche due batterie D (motorino del fornello dello spiedo). Le batterie non sono in dotazione.

- 1 Poggiare il barbecue su una superficie piatta e pulita.
- 2 Eseguire il montaggio come mostrato nei disegni. Questi si trovano nella seconda parte del manuale, dopo la vista esplosa del barbecue.



Montare le parti smaltate procedendo con cautela. Gli utensili e le viti potrebbero graffiare lo smalto. Usare le rondelle in fibra in dotazione per proteggere la smaltatura intorno alle viti.



Le confezioni in blister potrebbero contenere più viti del necessario. Alcune viti potrebbero avanzare alla fine del montaggio.

6 COLLEGAMENTO DEL GAS AL BARBECUE

6.1 Scelta di bombola, tubo flessibile e regolatore

Per alimentare il barbecue a gas, occorre comprare la bombola, il tubo flessibile e il regolatore. Acquistare sempre materiali conformi a tutte le proprie normative standard nazionali e con il tipo di gas e la pressione nominale richiesta dal barbecue.

La tabella seguente mostra il tipo di bombola, tubo flessibile e regolatore da utilizzare. Per esempio in Belgio (BE) si deve acquistare una bombola di propano con tubo flessibile e regolatore da 37 mbar, oppure una bombola di butano con tubo flessibile e regolatore da 28-30 mbar.

Nazione	Bombola, tubo flessibile e regolatore
DK, GR, NO, SE, EE, LT, LV, CZ, PL, MT, HU, SI, SK	Propano, 30 mbar / Butano, 30 mbar
ES, GB, IE, PT, BE, FR, LU, IT	Propano, 37 mbar / Butano, 28-30 mbar
NL	Propano, 30 o 50 mbar / Butano, 30 mbar
CY	Propano, 30 o 37 mbar / Butano, 28-30 mbar



Si consiglia di alimentare il barbecue con gas propano. Il propano offre una combustione di qualità superiore ed è meno sensibile al gelo.



Acquistare insieme il regolatore di pressione e la bombola. Non tutti i regolatori si adattano a ogni tipo di bombola.

6.2 Istruzioni per la sicurezza

- Non collegare mai la bombola al barbecue direttamente. Si deve sempre montare un regolatore di pressione prima della bombola.
- Non modificare mai le parti già montate o saldate della bombola, il tubo flessibile o il regolatore di pressione.
- Il tubo flessibile va tenuto il più corto possibile (al massimo 500 - 650°mm) per evitare che penda fino al suolo.
- Nel collegare la bombola, tubo flessibile e regolatore di pressione:
 - Non deformare mai il tubo flessibile.
 - Mantenere la bombola sempre in posizione verticale.
 - Non aprire mai il gas.
- Controllare eventuali perdite ogni volta che si modificano i collegamenti del gas. Vedere "7 Controllo di eventuali perdite di gas".

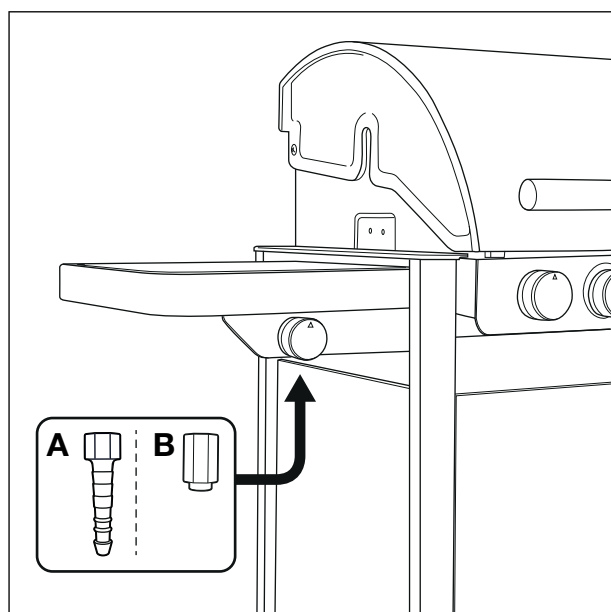
6.3 Collegamento del tubo flessibile al barbecue

Per collegare il tubo flessibile del gas al barbecue, occorre montare un raccordo sul tubo del gas del barbecue. Il barbecue viene fornito con due raccordi, adatti ai diversi Paesi di destinazione:

Nazione	Raccordo
BE, CH, CZ, DK, ES, FI, GB, IE, IT, PT, SI	Raccordo A
FR	Raccordo B



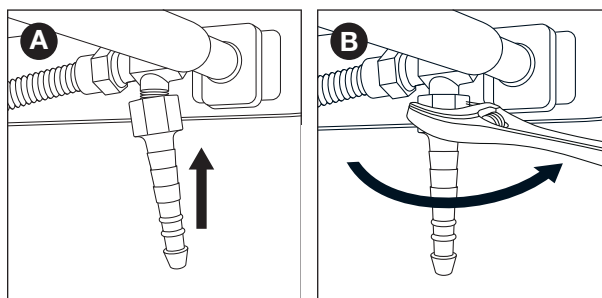
Se il vostro Paese non è in tabella, si deve utilizzare un raccordo conforme alle proprie normative standard nazionali.



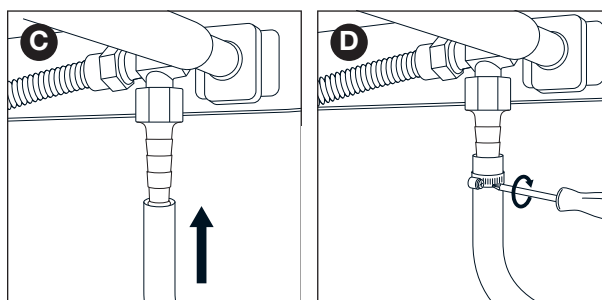
6.3.1 RACCORDO A

Utilizzare una chiave fissa da 19°mm e un cacciavite a croce.

- 1 Avvitare il raccordo sul tubo del gas del barbecue (A) e stringerlo con la chiave fissa da 19°mm (B).



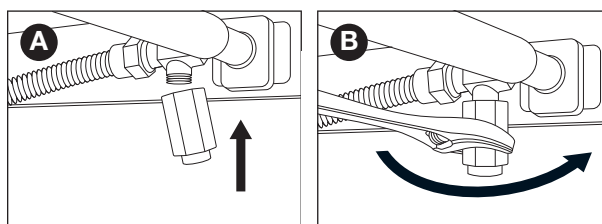
- 2 Far scorrere il tubo flessibile sul raccordo (C) e stringere la fascetta di serraggio con il cacciavite a croce (D).



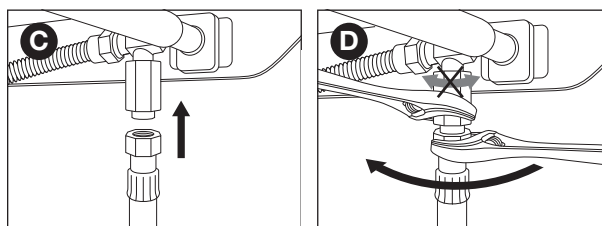
6.3.2 RACCORDO B

Utilizzare una chiave fissa da 22°mm e una chiave registrabile.

- 1 Avvitare il raccordo sul tubo del gas del barbecue (A) e stringerlo con la chiave fissa da 22°mm (B).



- 2 Avvitare il tubo del gas sul raccordo (C) e stringerlo usando due chiavi. Stringere il raccordo con la chiave fissa da 22°mm mentre si gira il tubo flessibile con la chiave registrabile (D).

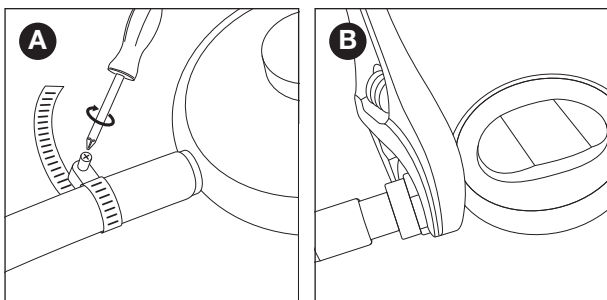


6.4 Collegamento del tubo flessibile e della bombola al regolatore

A seconda del tipo di regolatore di pressione da usare, occorrerà un cacciavite a croce e/o una chiave registrabile.

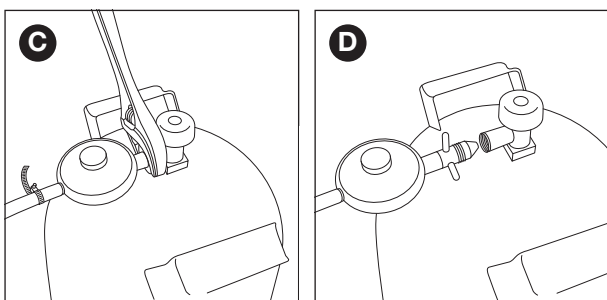
- 1 Collegare il tubo flessibile al regolatore di pressione. Eseguire di seguito:
 - Se il tubo flessibile ha una fascetta di serraggio, far scorrere il tubo sul regolatore e stringere la fascetta di serraggio con il cacciavite a croce (A).

- Se il tubo flessibile ha un dado, avvitare il tubo sul regolatore e stringere il dado con la chiave registrabile (B).



2 Collegare il regolatore di pressione alla bombola del gas. Eseguire di seguito:

- Se il regolatore ha un dado, avvitare il regolatore in senso orario sulla bombola e stringere il dado con la chiave registrabile (C).
- Se il regolatore ha una vite, avvitare il regolatore in senso antiorario sulla bombola (D).



6.5 Sostituzione della bombola

- 1 Chiudere il gas e girare tutte le manopole di comando su OFF.
- 2 Scollegare la bombola vuota e collegare quella piena.
- 3 Controllare eventuali perdite sulla bombola, sul tubo flessibile e su tutti i collegamenti del gas. Vedere "7 Controllo di eventuali perdite di gas".


7 CONTROLLO DI EVENTUALI PERDITE DI GAS

7.1 Perché controllare eventuali perdite di gas?

Il gas propano e butano sono più pesanti dell'aria. Di conseguenza, essi non si disperdono dopo la fuoriuscita dal barbecue. Specialmente nei giorni senza vento, una perdita di gas provoca il suo accumulo intorno al barbecue. Il gas accumulato potrebbe incendiarsi ed esplodere.

7.2 Quando controllare eventuali perdite di gas?

- Al primo utilizzo, o prima di utilizzare di nuovo il barbecue dopo un lungo periodo di inattività.

 Occorre controllare anche i collegamenti del gas, se il barbecue è stato assemblato dal rivenditore.

- Ogni volta che si sostituisce un componente.
- Almeno una volta l'anno, preferibilmente all'inizio della stagione.

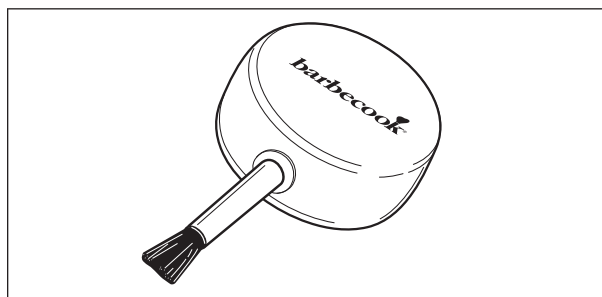
7.3 Istruzioni per la sicurezza

- Portare il barbecue all'aperto, in una zona ben ventilata. Controllare l'assenza di altre fiamme o sorgenti di calore in vicinanza del barbecue.
- Per cercare le perdite di gas non usare mai accendini o fiammiferi.
- Non fumare e non accendere i fornelli mentre si esegue la ricerca di perdite di gas.

7.4 Materiali occorrenti

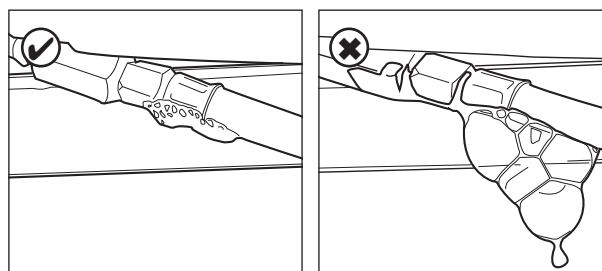
Per controllare eventuali perdite di gas, occorre:

- Il liquido di prova. Si può utilizzare uno spray per controllo perdite già pronto, o una miscela di acqua (50%) e sapone per lavare i piatti (50%).
- Il soffietto per la prova delle perdite, fornito con il barbecue. Si usa aspirando il liquido di prova e applicandolo sui componenti o sui collegamenti del gas da controllare.



7.5 Controllo di eventuali perdite di gas

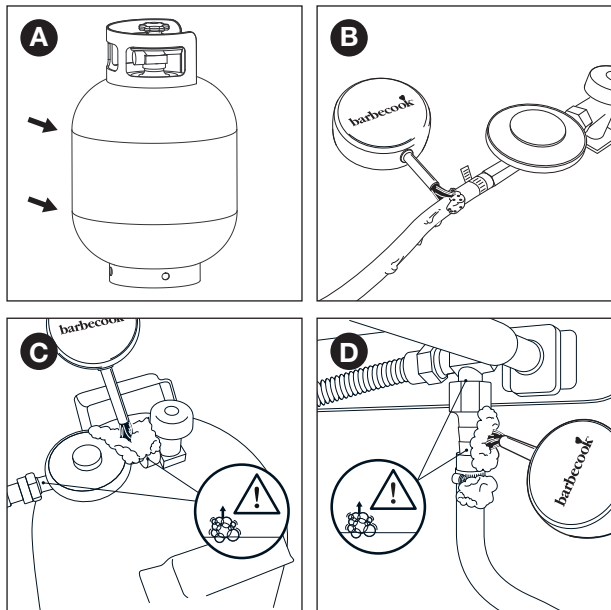
Controllare eventuali perdite di gas applicando un liquido di prova su tutti i componenti e i collegamenti del percorso del gas. Se una delle bolle che si sono formate tende a crescere, significa che in quel particolare componente c'è una perdita di gas:



Per il controllo delle perdite di gas, procedere nel modo seguente:

- 1 Portare il barbecue all'aperto.
- 2 Preparare il soffietto per la prova delle perdite e il liquido di prova (spray o miscela di acqua e sapone).
- 3 Aprire il coperchio e girare tutte le manopole di comando su OFF.
- 4 Aprire leggermente il gas. Fare un solo giro alla valvola della bombola del gas.
- 5 Aspirare del liquido di prova nel soffietto per la prova delle perdite e spalmarlo sulla zona da controllare. Si devono controllare:
 - Le saldature della bombola (A)
 - Il tubo flessibile (B)
 - I collegamenti tra bombola e regolatore di pressione e tra regolatore di pressione e tubo flessibile (C)

- Il collegamento tra tubo flessibile e barbecue (D)



i Il regolatore di pressione e il raccordo in dotazione potrebbero essere diversi da quelli rappresentati.

6 Eseguire di seguito:

- Se si scopre una perdita, proseguire come descritto in “In caso di perdite di gas”.
- Se non ci sono perdite, chiudere il gas, risciacquare bene tutti i componenti e asciugarli completamente.

7.6 In caso di perdite di gas

- 1 Chiudere il gas e fare quanto indicato di seguito:
 - Se si rileva una perdita su uno dei collegamenti, stringere quel collegamento.
 - Se si rileva una perdita sulla bombola o sul tubo flessibile, sostituire la bombola o il tubo.
- 2 Controllare di nuovo il collegamento o il componente su cui si era scoperta la perdita.
- 3 Se non si riesce a riparare la perdita, rivolgersi ad un rivenditore Barbecue. Non usare il barbecue fino a quando la perdita non è stata riparata.

i Per conoscere l'elenco dei rivenditori Barbecue locali, visitare il sito www.barbecue.com.

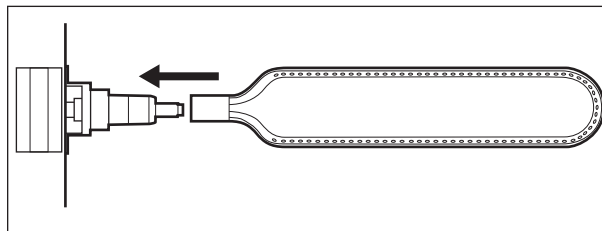
8 PREPARAZIONE ALL'USO DEL BARBECUE

8.1 Prima dell'utilizzo

Ogni volta che si usa il barbecue, assicurarsi che:

- Il barbecue sia posizionato opportunamente. Vedere “3.3 Scelta della giusta posizione”.
- Il tubo flessibile del gas non penda fino al suolo e non tocchi qualche superficie rovente o le gocce di grasso.
- Il braciere sia pulito. Si consiglia di stendere un nuovo foglio di protezione Leaf® nel braciere prima dell'utilizzo. Vedere “11.2 Pulizia del braciere”.
- I fornelli e i tubi di Venturi non siano ostruiti da nidi di insetti o ragnatele. Vedere “11.3 Pulire i fornelli e i tubi di Venturi”.
- Il barbecue sia montato correttamente. Fare particolare attenzione a:

- Gli spartifiamma dei fornelli. Ogni spartifiamma va posto sopra il proprio fornello. Vedere “4.2 Spartifiamma dei fornelli”.
- I tubi di Venturi dei fornelli. Devono essere inseriti sulle aperture delle valvole del gas.



Per essere completamente sicuri che il collegamento del gas sia perfetto, controllare eventuali perdite di gas prima dell'utilizzo. Vedere “7 Controllo di eventuali perdite di gas”.

8.2 Primo utilizzo (dopo un lungo periodo)

Quando si usa il barbecue per la prima volta, o al primo utilizzo dopo un lungo periodo di inattività, vanno eseguiti alcuni controlli aggiuntivi:

- Leggere, comprendere e provare tutte le istruzioni del presente manuale (solo al primo utilizzo).
- Controllare eventuali perdite di gas. Vedere “7 Controllo di eventuali perdite di gas”.



Occorre controllare anche i collegamenti del gas, se il barbecue è stato assemblato dal rivenditore.

- Pulire i fornelli e i tubi di Venturi (solo al primo utilizzo dopo lunghi periodi). Vedere “11.3 Pulire i fornelli e i tubi di Venturi”.
- Accendere il barbecue prima di aggiungere i cibi da cuocere (solo al primo utilizzo). Vedere “8.3 Accensione del barbecue”.

8.3 Accensione del barbecue

Accendendo il fuoco nel barbecue al momento del primo utilizzo si potranno rimuovere i residui lubrificanti della sua produzione. Procedere nel modo seguente:

- 1 Accendere i fornelli principali e girare le loro manopole di comando su HIGH. Vedere “9.2 Accensione dei fornelli principali”.
- 2 Chiudete il coperchio e mantenere acceso il fuoco nel barbecue per 15 minuti. Attendere prima di mettere i cibi sulla griglia.
- 3 Dopo 15 minuti, aprire il coperchio e far bruciare il barbecue per altri 5 minuti (manopole di comando girate ancora su HIGH).
- 4 Dopo 5 minuti, il barbecue è pronto ad essere usato. Ora si possono mettere i cibi sulla griglia.

9 ACCENSIONE DEI FORNELLI

i Per accendere i fornelli con l'accensione elettrica, va installata una batteria AA nell'accensione. La batteria non è in dotazione. Il contenitore della batteria dell'accensione si trova all'interno dell'armadietto del barbecue.

9.1 Istruzioni per la sicurezza

- Prima di accendere il barbecue, fare tutti i controlli elencati in "8 Preparazione all'uso del barbecue".
- Quando si accende un fornello, il coperchio deve essere sempre aperto.
- Non curvarsi mai sopra al fornello quando lo si accende.

9.2 Accensione dei fornelli principali

9.2.1 USO DELL'ACCENSIONE ELETTRICA

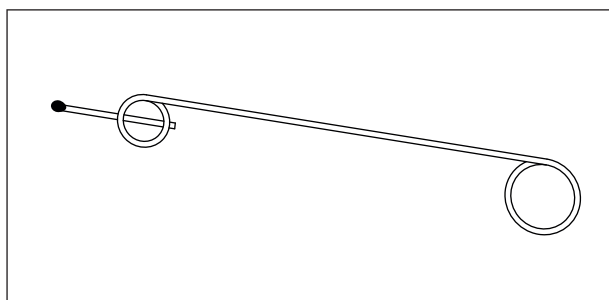
- 1 Aprire il coperchio e girare le manopole di comando dei fornelli principali su OFF.
- 2 Se non ci sono ancora altri fornelli accesi, aprire il gas e attendere dieci secondi. Serve a stabilizzare il gas.
- 3 Premere la manopola di comando di un fornello, girarla su HIGH e tenerla per qualche istante. L'accensione incorporata produce le scintille che accenderanno il fornello.

! Per iniziare, accendere sempre uno dei fornelli principali. Non accendere mai tutti i fornelli principali allo stesso tempo.

- 4 Se il fornello non si accende dopo tre tentativi, girare la sua manopola di comando su OFF, chiudere il gas e attendere 5 minuti. Ciò consentirà la dispersione del gas accumulato.
- 5 Provare di nuovo ad accendere il fornello. Se ancora non si accende, provare ad accenderlo con un fiammifero o cercare in "14 Risoluzione dei problemi" per trovare la causa del problema.

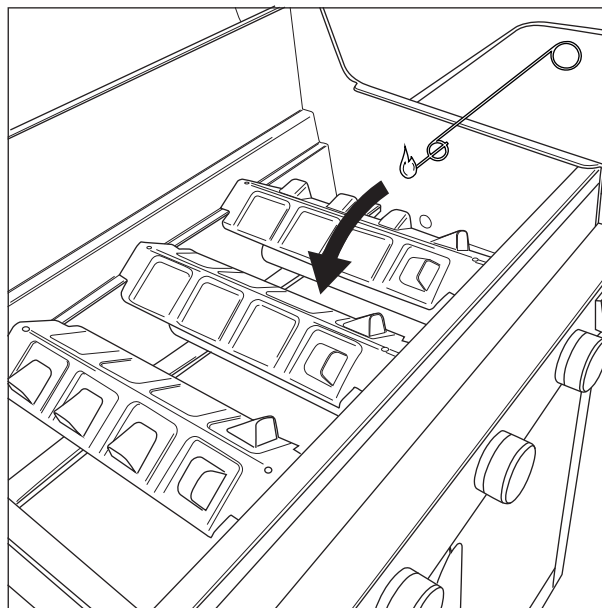
9.2.2 USO DEI FIAMMIFERI

- 1 Posizionare il fiammifero nell'apposito supporto.



- 2 Aprire il coperchio e girare le manopole di comando dei fornelli principali su OFF.
- 3 Se non ci sono ancora altri fornelli accesi, aprire il gas e attendere dieci secondi. Serve a stabilizzare il gas.

- 4 Accendere il fiammifero e tenerlo a circa 13 mm dal fornello.



- 5 Girare la manopola di comando di un fornello su HIGH.

! Per iniziare, accendere sempre uno dei fornelli principali. Non accendere mai tutti i fornelli principali allo stesso tempo.

- 6 Se il fornello non si accende entro 5 secondi, girare la sua manopola di comando su OFF, chiudere il gas e attendere 5 minuti. Ciò consentirà la dispersione del gas accumulato.
- 7 Provare di nuovo ad accendere il fornello. Se ancora non si accende, vedere "14 Risoluzione dei problemi" per trovare la causa del problema.

9.3 Accensione del fornello laterale

! Il fornello laterale può sostenere carichi pesanti fino a 9 kg, aventi diametro massimo 220 mm.

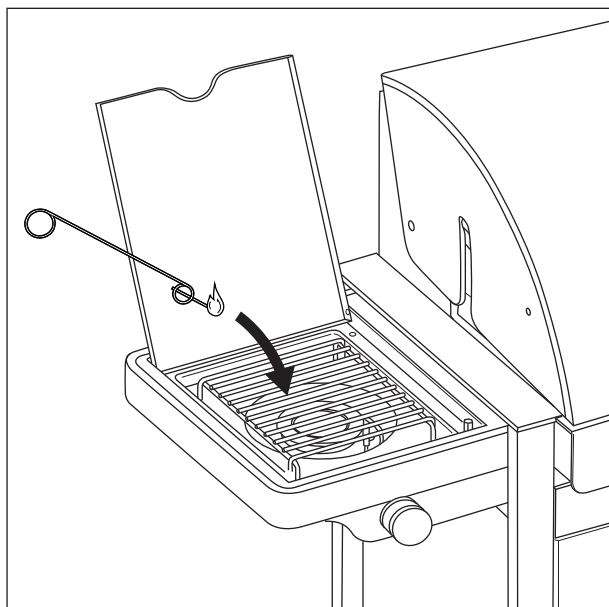
9.3.1 USO DELL'ACCENSIONE ELETTRICA

- 1 Aprire il coperchio e girare la manopola di comando del fornello laterale su OFF.
- 2 Se non ci sono ancora altri fornelli accesi, aprire il gas e attendere dieci secondi. Serve a stabilizzare il gas.
- 3 Premere la manopola di comando del fornello laterale, girarla su HIGH e tenerla per qualche istante. L'accensione incorporata produce le scintille che accenderanno il fornello laterale.
- 4 Se il fornello non si accende dopo tre tentativi, girare la sua manopola di comando su OFF, chiudere il gas e attendere 5 minuti. Ciò consentirà la dispersione del gas accumulato.
- 5 Provare di nuovo ad accendere il fornello laterale. Se ancora non si accende, provare ad accenderlo con un fiammifero o cercare in "14 Risoluzione dei problemi" per trovare la causa del problema.

9.3.2 USO DEI FIAMMIFERI

- 1 Posizionare il fiammifero nell'apposito supporto.
- 2 Aprire il coperchio e girare la manopola di comando del fornello laterale su OFF.
- 3 Se non ci sono ancora altri fornelli accesi, aprire il gas e attendere dieci secondi. Serve a stabilizzare il gas.

- 4 Accendere il fiammifero e tenerlo a circa 13 mm dal fornello laterale.



- 5 Girare la manopola di comando del fornello laterale su HIGH.
 6 Se il fornello laterale non si accende entro 5 secondi, girare la sua manopola di comando su OFF, chiudere il gas e attendere 5 minuti. Ciò consentirà la dispersione del gas accumulato.
 7 Provare di nuovo ad accendere il fornello laterale. Se ancora non si accende, vedere "14 Risoluzione dei problemi" per trovare la causa del problema.

9.4 Spegnere i fornelli

Quando non si usano più, i fornelli vanno spenti. Procedere nel modo seguente:

- 1 Chiudere il gas.
- 2 Girare tutte le manopole di comando dei fornelli su OFF.



Chiudendo prima il gas della bombola, ci si assicura di non lasciare gas nel barbecue.

9.5 Riaccensione dei fornelli

Se un fornello si spegne durante l'uso, procedere nel seguente modo:

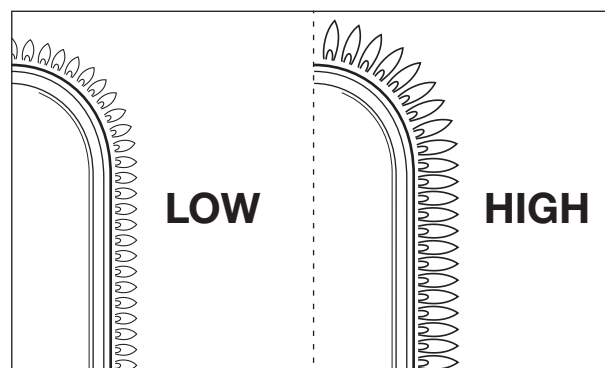
- 1 Aprire il coperchio e chiudere il gas.
- 2 Girare tutte le manopole di comando su OFF e attendere 5 minuti. Ciò consentirà la dispersione del gas accumulato.
- 3 Accendere di nuovo uno o più fornelli.

9.6 Controllo della fiamma

Ogni volta che si accende un fornello, si deve tenere la fiamma sotto controllo. Per essere perfetta la fiamma deve essere quasi completamente blu, con una parte gialla in cima. Qualche fiamma color giallo sporadica è normale e non pericolosa.

Se la fiamma non è normale, seguire quanto indicato per risolvere il problema:

Se la fiamma è...	Fare in questo modo...
Bassa e completamente gialla	<ol style="list-style-type: none"> 1 Chiudere immediatamente il gas e girare tutte le manopole di comando su OFF. 2 Vedere "14 Risoluzione dei problemi" per determinare la causa del problema. Molto probabilmente i tubi di Venturi sono ostruiti.
Più alta del braciere	<ol style="list-style-type: none"> 1 Chiudere immediatamente il gas e girare tutte le manopole di comando su OFF. 2 Attendere 5 minuti, per disperdere tutto il gas accumulato. 3 Accendere di nuovo uno o più fornelli. 4 Se il problema persiste, vedere "14 Risoluzione dei problemi" per determinare la causa del problema.



10 CONSIGLI E SUGGERIMENTI UTILI

10.1 Preriscaldare il barbecue

Con il preriscaldamento del barbecue, ci si assicura che la griglia sia sufficientemente calda quando sarà il momento di aggiungervi i cibi. Procedere nel modo seguente:

- 1 Accendere i fornelli e girare le loro manopole di comando su HIGH.
- 2 Chiudete il coperchio e mantenere acceso il fuoco nel barbecue per dieci minuti.
- 3 Dopo dieci minuti, aprire il coperchio e mettere a cuocere i cibi sulla griglia.
- 4 Per avere meno calore, girare le manopole di comando più in basso.

10.2 Come evitare che i cibi si attacchino


Per evitare che i cibi si attacchino alla griglia:

- Ungerli leggermente con un pennellino prima di appoggiarli sulla griglia. È possibile spennellare anche la stessa griglia.
- Preriscaldare il barbecue. I cibi si cuociono prima e quindi si attaccano meno se la griglia è calda.
- Non girare troppo spesso i cibi. Attendere che si scaldino.

10.3 Cottura alla griglia diretta e indiretta

In base al tipo di cibi da cuocere e al loro modo di prepararli, si può cuocere alla griglia in modo diretto o indiretto:


Metodo	Descrizione	Uso
Diretto	Appoggiare i cibi direttamente su un fornello acceso, regolarlo sulla posizione alta e lasciare aperto il coperchio.	Scottare carne e verdure
Indiretto	Appoggiare i cibi vicino a un fornello acceso, regolarlo sulla posizione media/bassa e chiudere il coperchio.	Per scottare ulteriormente la carne

 Nella cottura con coperchio, sorvegliare sempre il termometro del coperchio per evitare che il barbecue si scaldi troppo. Vedere "10.5 Controllare la temperatura".

10.4 Cottura con il coperchio chiuso

Tenere chiuso il coperchio durante la cottura comporta alcuni vantaggi notevoli:


- La temperatura di cottura sulla griglia è più alta e si mantiene costante.
- Si riduce il tempo di cottura dei cibi e questo permette di mantenerne l'umidità.
- Si riducono le vampate e si risparmia gas.

 Nella cottura con coperchio, sorvegliare sempre il termometro del coperchio per evitare che il barbecue si scaldi troppo. Vedere "10.5 Controllare la temperatura".

10.5 Controllare la temperatura

Il barbecue è dotato di grandi fornelli, che si scaldano rapidamente e mantengono stabile la temperatura. Quando si cuoce alla griglia con il coperchio chiuso, ci si deve assicurare che il barbecue non diventi troppo caldo. Tenere d'occhio il termometro del coperchio e considerare le seguenti indicazioni:

- La temperatura normale di cottura è circa 210°C. A temperature maggiori, il grasso delle gocce e quello accumulato potrebbero incendiarsi.
- La temperatura non dovrebbe mai superare i 300°C per più di cinque minuti. Il barbecue si potrebbe danneggiare e deformare.

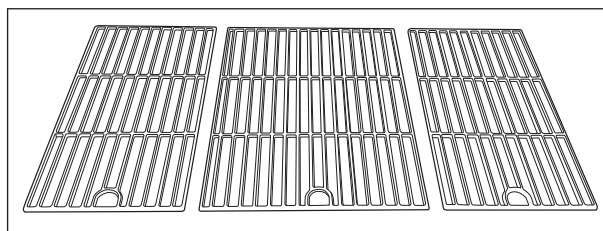
 Se il barbecue diventa troppo caldo, farlo raffreddare aprendo il coperchio e regolare i fornelli su un posizione più bassa.

10.6 Uso ottimale del calore

La zona centrale del braciere è più calda di quella laterale. Per sfruttare al massimo la parte più calda, il barbecue è dotato di griglie di diverse dimensioni. È corredato di:

- Una griglia grande, da collocare al centro del braciere.
- Due griglie più piccole, da inserire ai lati del braciere.


Collocando correttamente le griglie sul braciere e accendendo tutti i fornelli, la griglia centrale si scalderà al massimo, interamente. In questo modo si amplia la zona più calda del braciere e la superficie della griglia del barbecue sarà usata in modo ottimale.



10.7 Sfruttare le zone calde

Quando tutti i fornelli sono accesi, gli spartifiamma distribuiscono il calore il più uniformemente possibile sulla griglia. Anche con questa distribuzione uniforme, alcune zone si mantengono più calde di altre. Si possono sfruttare queste zone calde per cuocere alla perfezione i cibi alla griglia:

Zona	Quanto calda?	Usare per...
Anteriore	Calda	Grigliare cibi delicati (gamberetti, pesce...)
Centrale	Più calda	Preparare i cibi che richiedono una cottura prolungata (per es. salsicce, pollo...)
Posteriore	Caldissima	Scottare carne e verdure

 Le zone calde possono essere create anche giocando con la potenza dei fornelli. Per esempio, è possibile regolare un fornello più basso e usare la zona sopra a quel fornello per i cibi delicati o per quei cibi che richiedono una cottura prolungata.

10.8 Per evitare le vampate

Durante l'utilizzo del barbecue, alcune vampate sono normali. Tuttavia se le vampate sono eccessive, la temperatura del barbecue aumenta e il grasso accumulato potrebbe prendere fuoco. Per evitare le vampate:

- Prima di iniziare a grigliare verificare che il braciere sia pulito. Si consiglia di stendere un nuovo foglio di protezione Leaf® nel braciere prima dell'utilizzo. Vedere "11.2 Pulizia del braciere".
- Controllare di tanto in tanto che il foro di uscita del grasso non sia ostruito e che il ripiano o la vaschetta di sgocciolamento del grasso non siano completamente pieni.
- Quando si cucina della carne grassa, tagliar via l'eccesso di grasso, chiudere il coperchio e regolare i fornelli a livello medio o basso.

11 MANUTENZIONE DEL BARBECUE

11.1 Pulizia della griglia

Si consiglia di pulire la griglia dopo ogni utilizzo con Barbecue cleaner. Procedere nel modo seguente:

- 1 Spruzzare la schiuma sulla griglia e lasciarla agire per qualche minuto.
La schiuma si scolorisce perché si impregna di sporco e grasso.
- 2 Rimuovere la schiuma con una spugna morbida e acqua, e risciacquare bene la griglia.
- 3 Asciugarla completamente e riporla in un luogo asciutto. Si eviterà così la formazione di ruggine.



Per la pulizia si può utilizzare anche un detergente delicato o bicarbonato di sodio. Non usare mai pulitori per forno sulla griglia.

11.2 Pulizia del braciere

Si consiglia di pulire il braciere dopo ogni utilizzo. Il modo più facile per farlo è inserire un foglio di protezione Leaf® nel braciere prima di iniziare a cuocere. Il Leaf® è una lamina che si adatta perfettamente al braciere e raccoglie tutti i residui e i grassi. Dopo che il barbecue si è raffreddato, basta levare il Leaf® e il braciere è pulito.



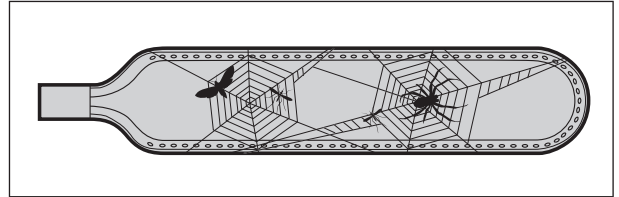
Registrare il proprio barbecue sul sito www.barbecue.com per sapere qual'è il tipo di Leaf® adatto.

11.3 Pulire i fornelli e i tubi di Venturi

11.3.1 PERCHÉ PULIRE I FORNELLI E I TUBI DI VENTURI?

Gli insetti e i ragni possono aver creato nidi e ragnatele all'interno dei fornelli e dei tubi di Venturi. Questo impedisce il passaggio del gas ai fornelli. Di conseguenza:

- I fornelli non si accendono. Volendo accenderli ad ogni modo, si producono fumo e fiamme gialle.
- Il gas potrebbe iniziare a bruciare fuori dai tubi di Venturi, vicino le manopole. Questi fuochi sono le fiammate di ritorno e possono creare gravi conseguenze alle persone e alle cose.



Gli eventuali danni causati dall'ostruzione dei fornelli e dei tubi di Venturi vengono considerati come manutenzione non corretta e non sono coperti dalla garanzia.

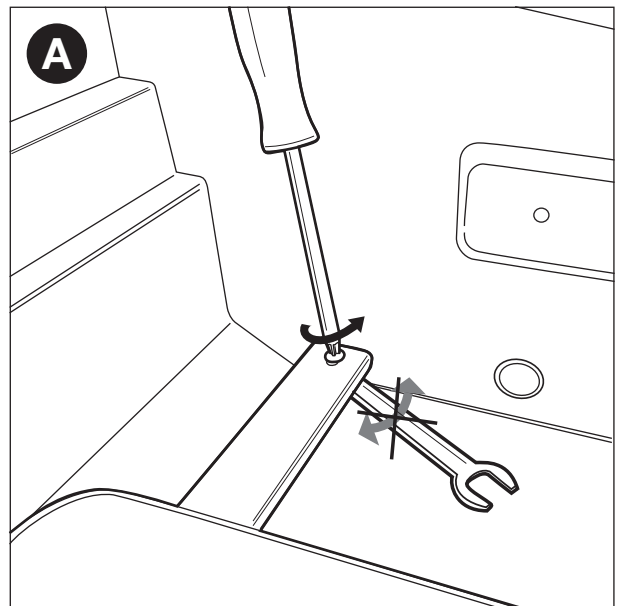
11.3.2 QUANDO PULIRE I FORNELLI E I TUBI DI VENTURI?

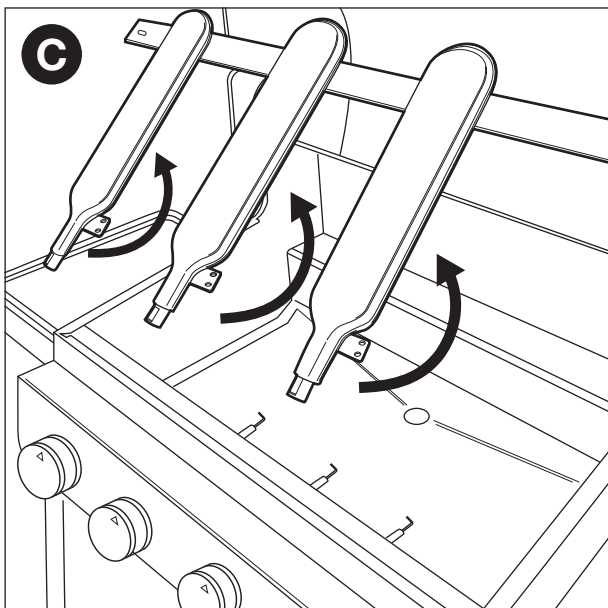
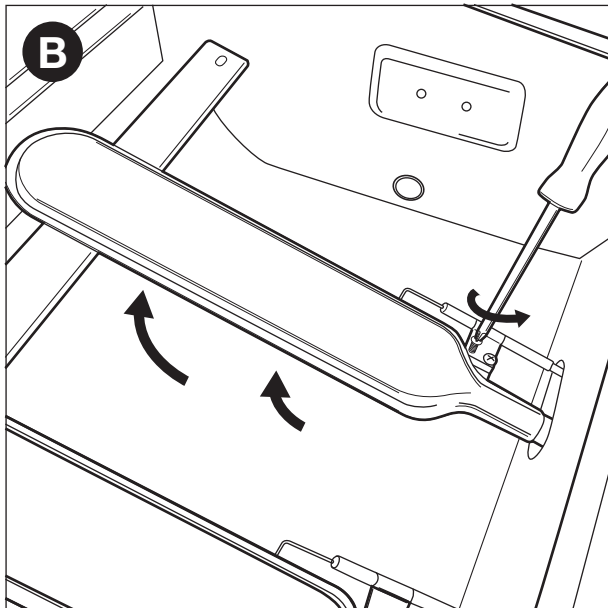
I fornelli e i tubi di Venturi del barbecue vanno puliti:

- Prima di utilizzare di nuovo il barbecue dopo un lungo periodo di inattività.
- Almeno due volte all'anno, una delle quali all'inizio della stagione.

11.3.3 PER PULIRE I FORNELLI E I TUBI DI VENTURI

- 1 Rimuovere i fornelli dal barbecue, come mostrato nelle figure. Se un fornello è danneggiato, va sostituito.






- 2 Pulire i fornelli e i tubi di Venturi con una piccola spazzola o con una cannuccia realizzata appositamente (una graffetta aperta, uno scovolino...).
- 3 Rimontare i fornelli al loro posto. I tubi di Venturi devono essere inseriti sulle aperture delle valvole del gas.


11.4 Cura delle parti smaltate, in acciaio inossidabile e verniciate a polvere

Il barbecue è composto da parti smaltate, in acciaio inossidabile e verniciate a polvere. Ciascun materiale richiede un diverso tipo di manutenzione:

Materiale	Manutenzione da eseguire
Superfici smaltate	<ul style="list-style-type: none"> • Non usare oggetti appuntiti e non battere contro le superfici dure. • Evitare il contatto con liquidi freddi quando la superficie è ancora calda. • È possibile usare spugne e detersivi abrasivi.

Materiale	Manutenzione da eseguire
Acciaio inossidabile	<ul style="list-style-type: none"> • Evitare pulitori aggressivi, abrasivi o detersivi per metalli. • Usare detersivi delicati e lasciarli agire sull'acciaio. • Pulire con una spugna morbida o un panno. • Sciacquare abbondantemente dopo la pulizia e asciugare bene prima di riporre.
Verniciato a polvere	<ul style="list-style-type: none"> • Non usare oggetti appuntiti. Pulire con detersivi delicati e usare una spugna morbida o un panno. • Sciacquare abbondantemente dopo la pulizia e asciugare bene prima di riporre.

 Per evitare la formazione di ruggine sull'acciaio inossidabile, si consiglia di evitare contatti con cloro, sale e materiali ferrosi. Non usare il barbecue nelle vicinanze del mare, di ferrovie o di piscine.

 Gli eventuali danni causati dal mancato rispetto di queste istruzioni vengono considerati come manutenzione non corretta e non sono coperti dalla garanzia.

Nella seconda parte del manuale, sotto alla vista esplosa del barbecue, è riportato un elenco di tutti i componenti. Nell'elenco appaiono anche i simboli che identificano il materiale di ciascun componente. Può quindi essere utilizzato per verificare come eseguire la manutenzione delle singole parti. Per l'elenco delle parti si usa la seguente simbologia:

Simbolo	Materiale
●	Superfici smaltate
■	Acciaio inossidabile
★	Verniciato a polvere

11.5 Conservazione del barbecue

Se non si utilizza il barbecue per un lungo periodo, riporlo in un luogo asciutto. Prima di riporlo:

- Scollegare la bombola del gas. Non riporre mai il barbecue al chiuso (neanche in un garage o in un capanno) fino a quando è collegato alla bombola del gas.
- Pulire i fornelli e le griglie, strofinarli con olio e avvolgerli con della carta.
- Se il barbecue è dotato del fornello dello spiedo, rimuovere il suo motorino e riporlo in un luogo asciutto.
- Coprire il barbecue con la protezione Barbecue. Per trovare la protezione adatta, registrare il barbecue sul sito www.barbecue.com.

11.6 Conservazione delle bombole

Le presenti istruzioni sono valide sia per bombole vuote che per bombole piene.

- Custodire sempre le bombole all'aperto, in luoghi ben ventilati. Assicurarsi che non siano esposte ad eccessivo calore o a luce solare diretta.
- Non riporre mai una bombola di gas in luoghi che potrebbero subire forti riscaldamenti (in auto, su una barca...).
- Non riporre mai la bombola del gas o quelle di ricambio nell'armadietto del barbecue.

- Non riporre la bombola del gas di riserva vicino a un barbecue a gas acceso.
- Riporre le bombole di gas sempre fuori dalla portata di bambini.
- Riporre e trasportare le bombole del gas in posizione verticale.

11.7 Ordinazione di ricambi

Le parti esposte direttamente al fuoco o al calore intenso vanno sostituite di tanto in tanto. Per ordinare un ricambio:

- 1 Cercare il numero di riferimento del ricambio necessario. I numeri di riferimento sono riportati nell'elenco sotto alle viste esplose nella seconda parte del manuale e sul sito www.barbecook.com.



Se è stata effettuata la registrazione online del barbecue acquistato, si verrà automaticamente guidati all'elenco corrispondente.

- 2 Ordinare i ricambi presso il proprio rivenditore. È possibile ordinare i ricambi sia in garanzia che fuori garanzia.

12 GARANZIA

12.1 Difetti coperti

Il barbecue è coperto da una garanzia di due anni, a partire dalla data di acquisto. La garanzia copre tutti i difetti di fabbricazione, a condizione che:

- Uso, montaggio e manutenzione vengano eseguiti secondo le istruzioni del presente manuale. I danni provocati da uso improprio, montaggio non corretto o manutenzione non sufficiente non sono considerati difetti di fabbricazione.
- Si presenti la ricevuta d'acquisto e il numero di serie univoco del barbecue. Il numero di serie inizia con una G seguita da 15 cifre. Si trova:
 - Nel presente manuale e sulla confezione originale in cui il manuale stesso è stato consegnato.
 - Sull'imballo del barbecue.
 - Sull'etichetta del modello, all'interno dello sportello dell'armadietto.
- Il Reparto qualità di Barbecook verificherà l'eventuale presenza di difetti e, in tal caso, che il barbecue sia stato montato e utilizzato correttamente e che sia stata eseguita un'adeguata manutenzione.

In mancanza di una delle condizioni suddette, i danni saranno a carico del cliente. In tutti i casi la garanzia si limita alla riparazione o alla sostituzione della parte/delle parti difettose.

12.2 Difetti non coperti

I seguenti danni e difetti non sono coperti dalla garanzia:

- Normale deterioramento (ruggine, deformazioni, scolorimento...) delle parti esposte direttamente alle fiamme o a calore intenso. È normale sostituire queste parti di tanto in tanto.
- Irregolarità visibili, inevitabilmente dovute al processo di fabbricazione. Queste irregolarità non sono considerate difetti di fabbrica.
- Tutti i danni provocati da manutenzione insufficiente, conservazione scorretta, montaggio improprio o modifiche apportate alle parti preassemblate.
- Tutti i danni provocati da uso improprio e abuso del barbecue (uso diverso da quanto indicato nelle istruzioni del presente manuale, uso a fini commerciali...).

- Tutti i danni indiretti provocati da incuria o da uso non conforme del barbecue.
- Ruggine o scolorimento dovuto ad agenti esterni, uso di detergenti aggressivi, esposizione a cloro... Questi danni non sono considerati difetti di fabbrica.

13 SPECIFICHE TECNICHE

13.1 Etichetta identificativa

L'etichetta identificativa riporta tutte le specifiche tecniche del barbecue. Si trova:

- nella seconda parte del presente manuale.
- All'interno dello sportello dell'armadietto.

13.2 Diametro degli iniettori

- Fornello principale: 0,991 mm
- Fornello laterale: 0,88 mm

14 RISOLUZIONE DEI PROBLEMI

Problema	Probabile causa	Soluzione
Calore non sufficiente	<ul style="list-style-type: none"> • Rubinetto gas non aperto • Tubi di Venturi non collocati sulle aperture delle valvole del gas • Feritoie dei fornelli ostruite • Bombola del gas (quasi) vuota • Regolatore di pressione collegato non correttamente alla bombola e/o al cilindro 	<ul style="list-style-type: none"> • Aprire il gas • Collocare i tubi di Venturi sulle aperture delle valvole del gas • Pulire le feritoie dei fornelli o sostituirli • Sostituire la bombola del gas • Collegare di nuovo il regolatore di pressione alla bombola e/o al tubo flessibile
Eccessivo calore e/o vampe	<ul style="list-style-type: none"> • Cibo troppo grasso • Foro di scarico del grasso ostruito, presenza di grasso nel braciere e/o sui fornelli • Spartifiamma dei fornelli montati non correttamente • Temperatura troppo alta 	<ul style="list-style-type: none"> • Tagliare il grasso in eccesso o regolare i fornelli su una posizione più bassa • Pulire il foro di scarico del grasso, il braciere e i fornelli • Montare correttamente gli spartifiamma dei fornelli • Regolare i fornelli a temperatura più bassa e/o cuocere i cibi sulla griglia in modo indiretto
Calore non uniformemente distribuito sulla superficie della griglia	<p>Alcune differenze di calore sono normali. Vedere "11.6 Uso ottimale del calore" e "11.7 Sfruttare le zone calde". Probabili cause delle grosse differenze di calore:</p> <ul style="list-style-type: none"> • Spartifiamma dei fornelli montati non correttamente • Barbecue non preriscaldato 	<ul style="list-style-type: none"> • Montare correttamente gli spartifiamma dei fornelli • Preriscaldare il barbecue
Fiamma di color giallo	<ul style="list-style-type: none"> • Fornelli o tubi di Venturi ostruiti • Sale sui fornelli • Barbecue alimentato a gas butano 	<ul style="list-style-type: none"> • Pulire i fornelli e i tubi di Venturi • Pulire i fornelli • Alimentare il barbecue con gas propano, per mezzo del regolatore di pressione appropriato
Fiamma incompleta	Fornello ostruito, bucato o arrugginito	Pulire o sostituire il fornello
Fiammata di ritorno (fiamme sui tubi di Venturi/sulla manopola di comando)	Fornelli o tubi di Venturi ostruiti	<ol style="list-style-type: none"> 1 Chiudere il gas e regolare i fornelli su OFF. 2 Lasciar raffreddare il barbecue. 3 Pulire i fornelli e i tubi di Venturi.
Fiamme che superano il bordo del braciere	<ul style="list-style-type: none"> • Troppo vento • Bombola del gas (quasi) vuota • Presenza di grasso sul braciere e/o sui fornelli 	<ul style="list-style-type: none"> • Girare il barbecue con il retro rivolto al vento • Sostituire la bombola del gas • Pulire il braciere, pulire i fornelli e sostituire la protezione Leaf®
Regolatore di pressione rumoroso	<ul style="list-style-type: none"> • Ambiente caldo • Bombola del gas nuova (piena) 	Non è pericoloso e non è un difetto. Dovrebbe interrompersi da se in poco tempo.
Il fornello fischia quando è regolato su LOW	Iniettore del gas, tubi di Venturi e/o fornello sporchi	Pulire l'iniettore del gas, i tubi di Venturi e/o il fornello
Impossibile accendere il fornello (con l'accensione elettrica o con i fiammiferi)	<ul style="list-style-type: none"> • Fornello o tubi di Venturi ostruiti • Non arriva il gas 	<ul style="list-style-type: none"> • Pulire il fornello e i tubi di Venturi • Aprire il gas e premere la manopola di sicurezza sul regolatore di pressione (non presente su tutti i regolatori)
Impossibile accendere il fornello con l'accensione elettrica	<ul style="list-style-type: none"> • Batteria assente o installata non correttamente • Collegamento elettrico dell'accensione non corretto • Elettrodo danneggiato • Contatto di massa difettoso • Accensione elettrica guasta 	<ul style="list-style-type: none"> • (Re)installare la batteria, con i morsetti posizionati correttamente • Controllare e rimontare tutti i collegamenti all'accensione • Sostituire l'elettrodo • Controllare e rimontare gli elettrodi, i fornelli e l'accensione elettrica • Sostituire l'accensione elettrica

Problema	Probabile causa	Soluzione
Mancanza di scintille e di suono quando si preme l'accensione elettrica	<ul style="list-style-type: none"> • Batteria assente o installata non correttamente • Batteria scarica • Pulsante dell'accensione montato non correttamente • Generatore di scintille difettoso 	<ul style="list-style-type: none"> • (Re)installare la batteria, con i morsetti posizionati correttamente • Sostituire la batteria • Rimontare il pulsante d'accensione • Sostituire il generatore di scintille
Solo suono (no scintille) quando si preme l'accensione	<ul style="list-style-type: none"> • Contatto di massa difettoso • Fornello ed elettrodo troppo distanti tra loro 	<ul style="list-style-type: none"> • Ricollegare il generatore di scintille e gli elettrodi • Piegare leggermente l'elettrodo per avvicinarlo al fornello
Presenza di scintille non provenienti dal fornello	Difetto nei collegamenti elettrici	Sostituire i collegamenti elettrici
Le scintille sono presenti ma non su tutti gli elettrodi e/o non abbastanza potenti	<ul style="list-style-type: none"> • Contatto di massa difettoso • Livello batteria basso • Elettrodi bagnati o rotti 	<ul style="list-style-type: none"> • Ricollegare il generatore di scintille e gli elettrodi • Sostituire la batteria • Asciugare gli elettrodi con della carta o sostituirli

PT - MANUAL DO UTILIZADOR

1	Registar o aparelho.....	106	10	Dicas e conselhos úteis	113
2	Acerca do presente manual	106		• Pré-aquecer o aparelho.....	113
3	Instruções de segurança importantes.....	106		• Evitar que os alimentos fiquem agarrados.....	113
	• Leia e siga as instruções	106		• Grelhar direta e indiretamente.....	113
	• Seja cauteloso com o gás	106		• Grelhar com a tampa fechada	113
	• Selecione um local apropriado.....	106		• Monitorizar a temperatura	113
	• Usar de senso comum	106		• Otimizar a utilização do calor.....	114
4	Conceitos recorrentes.....	107		• Aproveitar as zonas quentes.....	114
	• Venturis.....	107		• Evitar chamas descontroladas	114
	• Cobertura do bico de gás	107	11	Manutenção do aparelho	114
	• Esmalte.....	107		• Limpar o grelhador	114
	• Chamas descontroladas	107		• Limpar a taça	114
5	Montar o aparelho	107		• Limpar os queimadores e os venturis	115
	• Instruções de segurança	107		• Manutenção de peças esmaltadas, em aço inoxidável e revestidas a pó.....	115
	• Montar o aparelho	108		• Guardar o aparelho	116
6	Ligar o gás ao aparelho.....	108		• Guardar botijas de gás.....	116
	• Qual botija, mangueira e regulador?	108		• Encomendar peças sobresselentes	116
	• Instruções de segurança	108	12	Garantia	116
	• Ligar a mangueira ao aparelho.....	108		• Coberto	116
	• Ligar a mangueira e a botija ao regulador.....	109		• Não coberto	116
	• Substituir o cilindro	109	13	Especificações técnicas	117
7	Verificar fugas de gás.....	109		• Acender o bico de gás lateral	117
	• Porque verificar fugas de gás?.....	109		• Diâmetros do injetor	117
	• Quando verificar fugas de gás?	109	14	Resolução de problemas	118
	• Instruções de segurança	109			
	• Quais os materiais que necessito?	110			
	• Para verificar fugas de gás.....	110			
	• No caso de uma fuga de gás	110			
8	Preparar o aparelho	110			
	• Antes de cada utilização	110			
	• Antes da primeira utilização (durante um longo período) 111				
	• Queimar no aparelho.....	111			
9	Acender os bicos de gás	111			
	• Instruções de segurança	111			
	• Acender os bicos de gás principais	111			
	• Acender o bico de gás lateral.....	112			
	• Desligar os bicos de gás	112			
	• Reacender os bicos de gás.....	112			
	• Verificar as chamas	113			

1 REGISTRAR O APARELHO

Agradecemos pela sua aquisição de um Barbecue aparelho! Temos a certeza de que lhe irá proporcionar imensos momentos felizes em seus churrascos.

Para otimizar a sua experiência, registre o seu aparelho em www.barbecue.com. Demora apenas alguns minutos e traz alguns benefícios significativos:

- Obtém acesso ao nosso serviço pós-vendas personalizado. Isto permite-lhe, por exemplo, encontrar rapidamente peças sobresselentes para o seu aparelho ou beneficiar de um serviço de garantia otimizado.
- Podemos informá-lo sobre atualizações interessantes de produtos e direcioná-lo até à informação de produtos e especificações relevantes para o seu aparelho.



Para mais informações sobre como registar o seu aparelho consulte www.barbecue.com.



Barbecue respeita a sua privacidade. Os seus dados não serão vendidos, distribuídos ou partilhados com terceiros.

2 ACERCA DO PRESENTE MANUAL

O presente manual é composto por duas partes:

- A primeira parte é aquela que está agora a ler. Inclui instruções para a montagem, utilização e manutenção do seu aparelho.
- A segunda parte começa na página 379. Inclui todo o tipo de ilustrações (vistas expandidas, desenhos de montagem, placas de identificação) dos aparelhos descritos no presente manual.

3 INSTRUÇÕES DE SEGURANÇA IMPORTANTES

3.1 Leia e siga as instruções

Leia as instruções antes de utilizar o aparelho. Siga sempre cuidadosamente as instruções. A montagem ou utilização do aparelho de forma diferente ao indicado pelas instruções pode causar incêndios e danos materiais.



Os danos causados pelo incumprimento das instruções (montagem imprópria, utilização incorreta, manutenção inadequada...) não estão cobertos pela garantia.

3.2 Seja cauteloso com o gás

Trabalhar com gás é perfeitamente seguro mas exige algum cuidado extra:

- Guarde sempre as botijas de gás no exterior, numa área bem ventilada. Certifique-se de que não estão expostos a calor excessivo ou a luz solar direta.
- Nunca guarde a sua botija de gás ou botija de gás suplente no armário do seu aparelho.
- Quando estiver a ser utilizado, coloque a sua botija de gás no carrinho da botija do lado do aparelho.
- Nunca guarde a sua botija de gás junto a um aparelho de gás em utilização.

- Desligue sempre o fornecimento de gás na botija e gás após utilização.
- Nunca fume junto a um aparelho de gás em utilização ou junto a uma botija de gás (cheia/vazia).



Se lhe cheirar a gás, feche imediatamente o fornecimento de gás, extinga todas as chamas e abra a tampa do aparelho. Se o cheiro persistir, contacte o seu fornecedor de gás ou o quartel de bombeiros.

3.3 Selecione um local apropriado

Utilize o aparelho apenas ao ar livre. A utilização do aparelho em espaços interiores, mesmo que numa garagem ou barracão pode causar envenenamento por monóxido de carbono.

Quando selecionar um local ao ar livre:

- Coloque sempre o aparelho com pelo menos três metros de distância do edifício, numa área a descoberto e bem ventilada.
- Certifique-se de que existe sempre uma corrente de ar livre para os queimadores os orifícios de ventilação no armário.
- Certifique-se de que o aparelho não está sob uma estrutura suspensa (um alpendre, um abrigo...) ou sob folhagem.
- Coloque o aparelho numa superfície firme e estável. Nunca coloque o aparelho num veículo em movimento (um barco, um atrelado...).

3.4 Usar de senso comum

Utilize sempre de bom senso quando trabalhar com o aparelho:

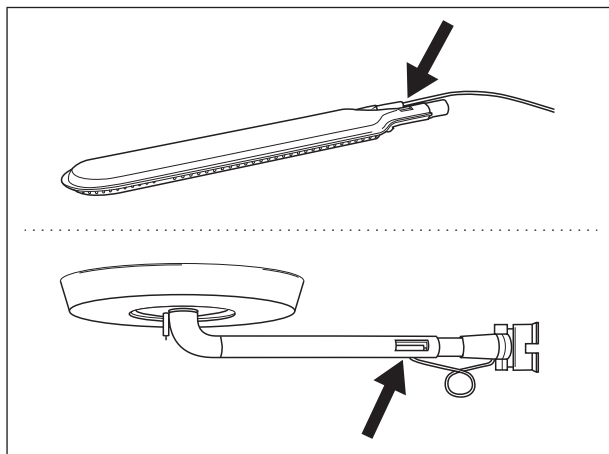
- Utilize-o apenas no exterior.
- Não mova o aparelho durante a utilização.
- Não deixe o aparelho sem supervisão durante a utilização, especialmente na presença de crianças e de animais.
- AVISO! Algumas peças acessíveis poderão ficar muito quentes. Mantenha as crianças pequenas afastadas.
- Utilize uma proteção adequada quando lidar com peças quentes (tampa, grelha...).
- O aparelho tem de ser mantido afastado de materiais inflamáveis durante a utilização.
- Mantenha materiais inflamáveis, líquidos inflamáveis e objetos dissolúveis afastados de um aparelho em utilização.
- Não utilize madeira, carvão, pedras de lava ou briquetes de cerâmica num aparelho a gás.
- Não utilize o aparelho quando tiver consumido álcool ou medicamentos.
- Não modifique o aparelho.

4 CONCEITOS RECORRENTES

Esta parte inclui definições de alguns conceitos menos familiares. Estes conceitos são utilizados em diversos tópicos do manual.

4.1 Venturis

Os venturis são os tubos pequenos ligados à entrada dos bicos de gás. Na parte lateral dos venturis existe um orifício. Isto é visível nos bicos de gás principais e no bico de gás lateral:



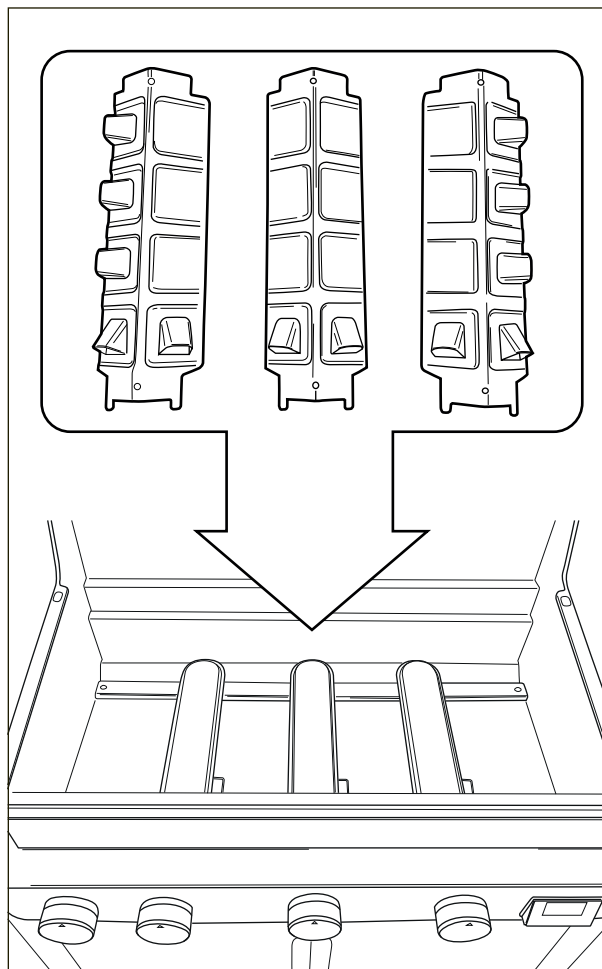
Quando o gás está a ser direcionado para os bicos de gás passa através dos venturis. Graças aos orifícios nos lados, o gás é então misturado com ar e - como resultado - com oxigénio. Isto é necessário para uma boa ignição nos bicos de gás: apenas a mistura correta de gás e oxigénio irá acender apropriadamente e resultará em boas chamas.

4.2 Cobertura do bico de gás

As coberturas dos bicos de gás são as coberturas que monta por cima dos bicos de gás do seu aparelho. Protegem os bicos de gás contra a queda de gordura e desempenham um papel crucial no Turbo Heating System. Os orifícios cobertos nos lados das coberturas distribuem o calor sobre o grelhador, pelo que este é aquecido muito mais rápido e de forma mais uniforme.



Preste especial atenção às coberturas dos bicos de gás quando montar o seu aparelho. O Turbo Heating System apenas pode funcionar apropriadamente se cada cobertura estiver montada acima do bico de gás correto.



4.3 Esmalte

Algumas peças do aparelho estão cobertas com uma camada de vidro fundido, denominado esmalte. Este esmalte protege o metal subjacente contra corrosão. O esmalte é um material de elevada qualidade: é resistente a ferrugem, não desaparece sob a influência de temperaturas altas e é muito fácil de manter.



Devido ao facto de o esmalte ser menos flexível do que o metal que o cobre, é possível que pedaços de esmalte lasquem quando manuseia o aparelho de forma incorreta. De modo a evitar problemas, tenha cuidado quando estiver a montar peças esmaltadas e mantenha sempre o esmalte conforme descrito mais adiante no presente manual.

4.4 Chamas descontroladas

As acendalhas são chamas repentinas que causam faísca a partir da taça quando está a grelhar. Geralmente são causadas pela queda de gordura ou marinada.

5 MONTAR O APARELHO


5.1 Instruções de segurança


- Não modifique o aparelho quando estiver a montá-lo. É muito perigoso e não é permitido alterar peças pré-montadas e/ou vedadas pelo fabricante.
- Siga sempre cuidadosamente as instruções de montagem.
- O utilizador é responsável pela montagem correta do aparelho. Os danos causados pela montagem imprópria não são cobertos pela garantia.

5.2 Montar o aparelho

Necessita de uma chave de fendas cruzada, de uma chave de fendas plana e de uma pilha AA (dispositivo de ignição elétrico). Se o seu aparelho for fornecido com um bico de gás de espeto, também necessita de duas pilhas D (motor do bico de gás de espeto). Estas pilhas não são fornecidas com o aparelho.

- 1 Coloque o aparelho numa superfície plana e limpa.
- 2 Monte o aparelho conforme ilustrado nos desenhos de montagem. Estes encontram-se na segunda parte do presente manual, após a vista expandida do seu aparelho.

 Tenha cuidado quando montar peças esmaltadas. As ferramentas e os parafusos poderão danificar o esmalte. Utilize as anilhas de fibra fornecidas para proteger o esmalte em redor dos parafusos.

 As embalagens blister podem conter mais parafusos do que o necessário. Os parafusos podem ser deixados fora após a montagem.


6 LIGAR O GÁS AO APARELHO


6.1 Qual botija, mangueira e regulador?

Antes de ligar o gás ao aparelho tem de comprar uma botija de gás, mangueira e regulador de pressão. Compre sempre materiais em conformidade com todas as normas nacionais e com o(s) tipo(s) de gás e pressão(ões) nominal(ais) mencionados no aparelho.

A tabela seguinte mostra-lhe qual a botija, mangueira e regulador que tem de usar. Na Bélgica (BE), por exemplo, tem de utilizar uma botija de gás propano com uma mangueira e regulador para 37 mbar ou uma botija de gás butano com uma mangueira e regulador para 28-30 mbar.

País	Botija, mangueira e regulador
DK, GR, NO, SE, EE, LT, LV, CZ, PL, MT, HU, SI, SK	Propano, 30 mbar / butano, 30 mbar
ES, GB, IE, PT, BE, FR, LU, IT	Propano, 37 mbar / butano, 28-30 mbar
NL	Propano, 30 ou 50 mbar / butano, 30 mbar
CY	Propano, 30 ou 37 mbar / butano, 28-30 mbar

 Recomendamos a ligação do aparelho a propano. O gás propano oferece uma combustão de elevada qualidade e é menos sensível ao gelo.

 Compre o seu regulador de pressão e botija de gás conjuntamente. Nem todos os reguladores se adequam a todas as botijas.

6.2 Instruções de segurança


- Nunca ligue o cilindro diretamente ao aparelho. Monte sempre um regulador de pressão primeiramente no cilindro.
- Nunca modifique peças pré-montadas ou vedadas do cilindro, da mangueira ou do regulador de pressão.
- Mantenha a mangueira o mais curta possível (500 - 650 mm no máximo) de modo a evitar que arraste no chão.
- Enquanto liga o cilindro, a mangueira e o regulador de pressão:

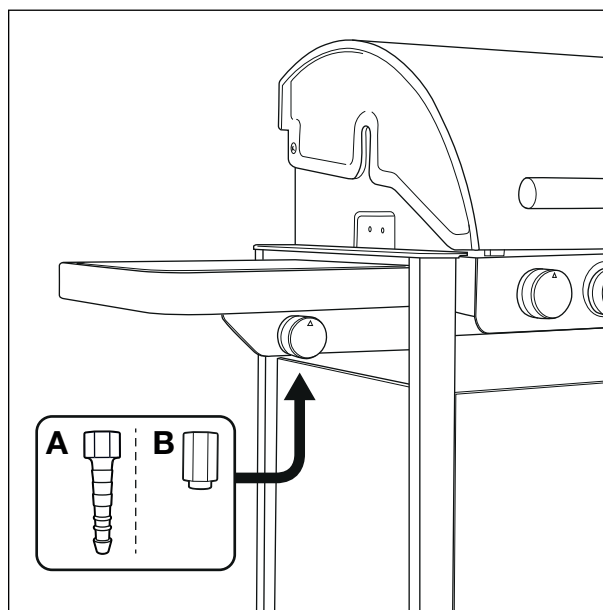
- Nunca distorça a mangueira.
 - Mantenha sempre o cilindro numa posição vertical.
 - Nunca abra o fornecimento de gás.
- Verifique eventuais fugas de cada vez que efetuar alterações na ligação do gás. Ver “7 Verificar fugas de gás”.

6.3 Ligar a mangueira ao aparelho

Para ligar a mangueira do gás ao aparelho tem de montar um acoplamento no tubo de gás do aparelho. O aparelho é fornecido com dois acoplamentos, ambos destinados a países em particular:

País	Acoplamento
BE, CH, CZ, DK, ES, FI, GB, IE, IT, PT, SI	Acoplamento A
FR	Acoplamento B

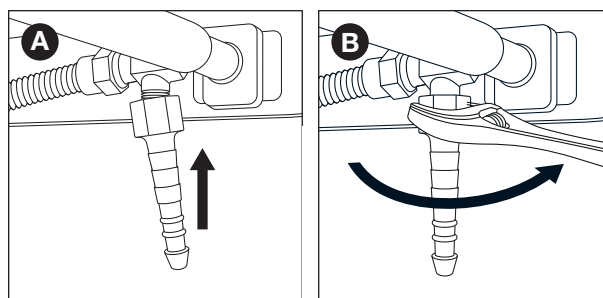
 Se o seu país não estiver na tabela, utilize o acoplamento que se encontra em conformidade com as suas normas nacionais.



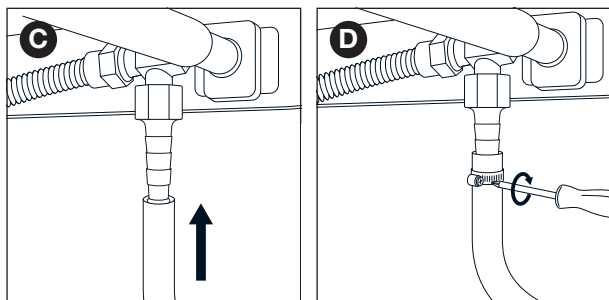
6.3.1 ACOPLAMENTO A

Necessita de uma chave fixa de 19 mm e de uma chave de fendas cruzada.

- 1 Aparafuse o acoplamento ao tubo de gás do aparelho (A) e aperte-o com uma chave fixa de 19 mm (B).



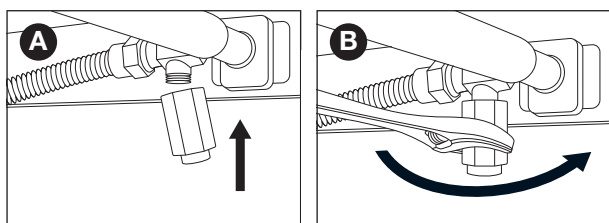
- Deslize a mangueira ao longo do acoplamento (C) e aperte o anel de aperto com uma chave de fendas cruzada (D).



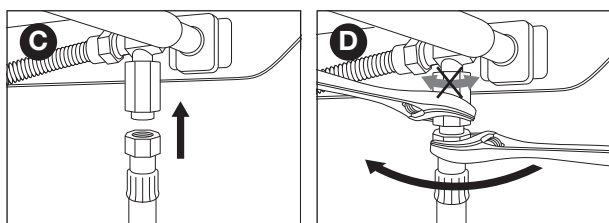
6.3.2 ACOPLAMENTO B

Necessita de uma chave fixa de 22 mm e de uma chave fixa ajustável.

- Aparafuse o acoplamento ao tubo de gás do aparelho (A) e aperte-o com uma chave fixa de 22 mm (B).



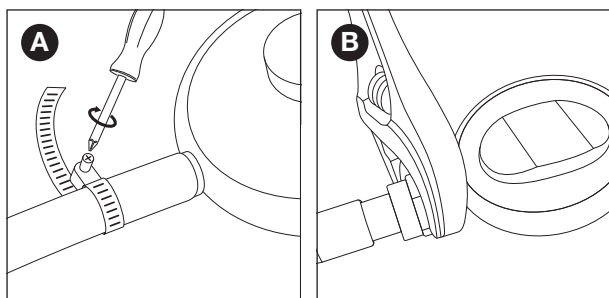
- Aparafuse a mangueira de gás ao acoplamento (C) e aperte-o com duas chaves fixas. Fixe o acoplamento com uma chave fixa de 22 mm enquanto roda a mangueira com uma chave fixa ajustável (D).



6.4 Ligar a mangueira e a botija ao regulador

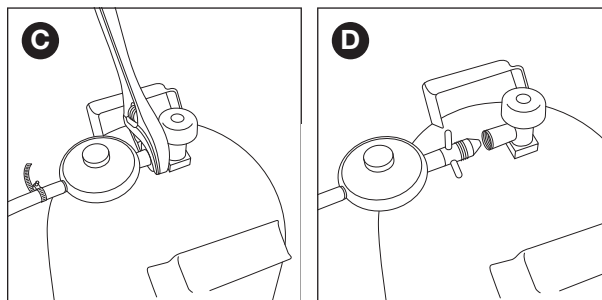
Dependendo do tipo de regulador de pressão que utiliza, necessita de uma chave de fendas cruzada e/ou de uma chave fixa ajustável.

- Ligue a mangueira ao regulador de pressão. Adote uma das seguintes medidas:
 - Se a mangueira tiver um anel de aperto, deslize a mangueira ao longo do regulador e aperte o anel de aperto com uma chave de fendas cruzada (A).
 - Se a mangueira tiver uma porca, aparafuse a mangueira no regulador e aperte a porca com uma chave fixa ajustável (B).



- Ligue o regulador de pressão à botija de gás. Adote uma das seguintes medidas:

- Se o regulador tiver uma porca, aparafuse o regulador no sentido horário na botija e aperte a porca com uma chave fixa ajustável (C).
- Se o regulador tiver uma rosca, aparafuse o regulador no sentido anti-horário na botija (D).



6.5 Substituir o cilindro

- Feche o fornecimento de gás e defina todos os botões de controlo para OFF.
- Desligue o cilindro vazio e ligue o cilindro cheio.
- Verifique eventuais fugas no cilindro, na mangueira e em todas as ligações de gás. Ver "7 Verificar fugas de gás".

7 VERIFICAR FUGAS DE GÁS

7.1 Porque verificar fugas de gás?

O gás propano e o gás butano são mais pesados do que o ar. Como resultado, não se dispersam quando existe uma fuga no aparelho. Especialmente nos dias sem vento, uma fuga pode fazer com que o gás se acumule no interior e em redor do aparelho. Esse gás acumulado pode então acender e explodir.

7.2 Quando verificar fugas de gás?

- Antes da primeira utilização ou antes da primeira utilização após um longo período de não-utilização.



Verifique também eventuais fugas de gás se o seu aparelho tiver sido montado pelo seu distribuidor.

- Cada vez que substitui um componente de gás.
- Pelo menos uma vez por ano, de preferência no início da estação.

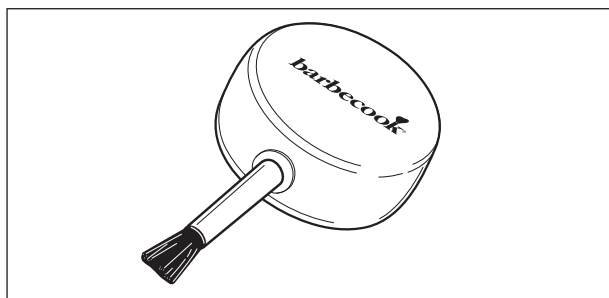
7.3 Instruções de segurança

- Guarde o aparelho no exterior, numa área bem ventilada. Certifique-se de que não existem chamas ou fontes de calor junto ao aparelho.
- Nunca utilize um isqueiro ou fósforo para verificar fugas de gás.
- Não fume e não acenda os bicos de gás quando estiver a verificar fugas de gás.

7.4 Quais os materiais que necessito?

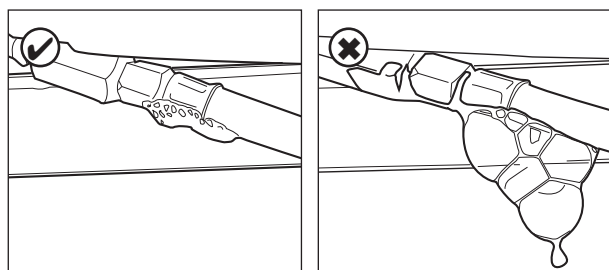
Para verificar fugas de gás, necessita de:

- um líquido de teste. Pode utilizar um spray contra fugas pronto a usar ou uma mistura de água (50%) e detergente de loiça (50%).
- A ferramenta de teste de fugas fornecida com o seu aparelho. Utiliza-a para sugar o líquido de teste e aplicá-lo no componente de gás ou ligação que pretende verificar.



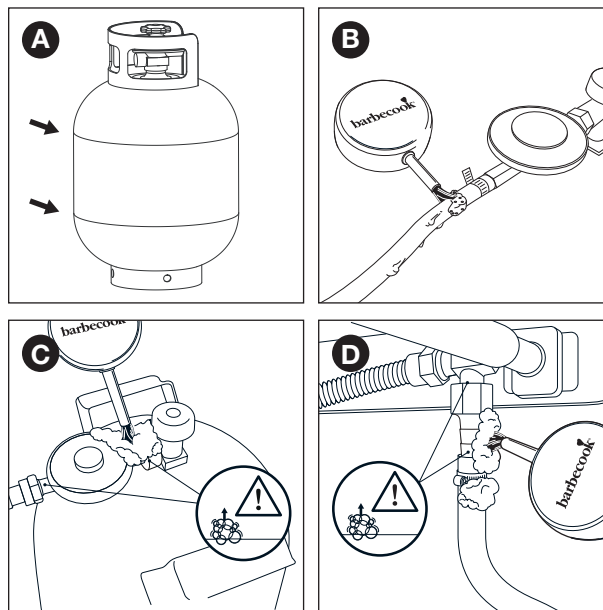
7.5 Para verificar fugas de gás

Pode verificar eventuais fugas de gás ao aplicar um líquido de teste em todos os componentes de gás e ligações. Se as bolhas num componente em particular ou ligação crescerem, existe uma fuga de gás:



Para verificar fugas de gás, proceda do seguinte modo:

- 1 Coloque o aparelho no exterior.
- 2 Obtenha a sua ferramenta de teste contra fugas e o líquido de teste (spray contra fugas ou mistura de água/detergente).
- 3 Abra a tampa e defina todos os botões de controlo para OFF.
- 4 Abra o fornecimento de gás ligeiramente. Rode a válvula da botija de gás apenas uma vez.
- 5 Sugue algum líquido de teste com a ferramenta de teste contra fugas e aplique-o na área que pretende verificar. Tem de verificar:
 - As soldas da botija de gás (A)
 - A mangueira (B)
 - As ligações entre a botija e o regulador de pressão e entre o regulador de pressão e a mangueira (C)
 - A ligação entre a mangueira e o aparelho (D)



i O seu regulador de pressão e o acoplamento poderão ser diferentes dos indicados nas ilustrações.

6 Adote uma das seguintes medidas:

- Se detetar uma fuga, continue conforme descrito em “No caso de uma fuga de gás”.
- Se não existirem fugas, feche o fornecimento de gás, enxague bem todos os componentes com água e seque-os bem.

7.6 No caso de uma fuga de gás

- 1 Feche o fornecimento de gás e execute uma das seguintes medidas:
 - Se detetou uma fuga numa das ligações, aperte essa ligação.
 - Se detetou uma fuga no cilindro ou mangueira, substitua o cilindro ou a mangueira.
- 2 Verifique novamente a ligação ou o componente no qual detetou a fuga.
- 3 Se a fuga não for reparada, contacte um Barbecue distribuidor. Não utilize o aparelho até a fuga estar reparada.

💡 Para obter uma lista de distribuidores Barbecue próximos, consulte www.barbecue.com.

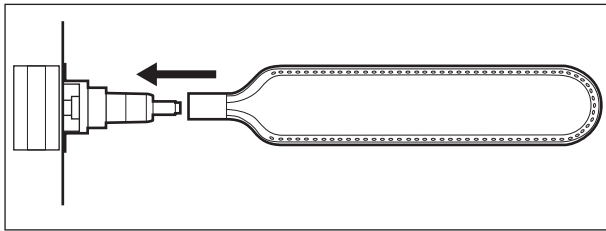
8 PREPARAR O APARELHO

8.1 Antes de cada utilização

Cada vez que utilizar o aparelho, certifique-se de que:

- O aparelho está num local apropriado. Ver “3.3 Selecione um local apropriado”.
- A mangueira de gás não arrasta no chão e não entra em contacto com uma superfície quente ou com queda de gordura.
- A taça está limpa. Recomendamos colocar uma nova Leaf® na taça antes de cada utilização. Ver “11.2 Limpar a taça”.
- Os bicos de gás e venturis não estão bloqueados por ninhos de insetos ou teias de aranha. Ver “11.3 Limpar os queimadores e os venturis”.
- O aparelho está montado corretamente. Preste especial atenção a:

- Coberturas dos bicos de gás. Cada cobertura tem de ser colocada acima do bico de gás correto. Ver "4.2 Cobertura do bico de gás".
- Venturis dos bicos de gás. Têm de ser colocados sobre as aberturas das válvulas de gás.



Se pretender ter absoluta certeza de que a sua ligação de gás está em boas condições, pode verificar o seu aparelho quanto a fugas de gás antes de cada utilização. Ver "7 Verificar fugas de gás".

8.2 Antes da primeira utilização (durante um longo período)

Se utilizar o aparelho pela primeira vez ou pela primeira vez após um longo período de não-utilização tem de executar algumas verificações extra:

- Certifique-se de que leu, compreendeu e verificou todas as instruções no presente manual (apenas antes da primeira utilização).
- Verifique o aparelho quanto a eventuais fugas de gás. Ver "7 Verificar fugas de gás".



Verifique também eventuais fugas de gás se o seu aparelho tiver sido montado pelo seu distribuidor.

- Limpe os bicos de gás e os venturis (apenas antes da primeira utilização durante um longo período). Ver "11.3 Limpar os queimadores e os venturis".
- Queime no aparelho antes de colocar quaisquer alimentos neste (apenas antes da primeira utilização). Ver "8.3 Queimar no aparelho".

8.3 Queimar no aparelho

Ao queimar no aparelho antes da primeira utilização está a remover gorduras de fabrico residuais do aparelho. Proceda do seguinte modo:

- 1 Acenda os bicos de gás principais e defina os respetivos botões de controlo para HIGH. Ver "9.2 Acender os bicos de gás principais".
- 2 Feche a tampa e deixe o aparelho queimar durante 15 minutos. Não coloque ainda alimentos no grelhador.
- 3 Após 15 minutos, abra a tampa e deixe o aparelho queimar durante mais 5 minutos (botões de controlo ainda definidos para HIGH).
- 4 Após 5 minutos, o aparelho está pronto a ser usado. Pode agora colocar alimentos no grelhador.

9 ACENDER OS BICOS DE GÁS



Para acender os bicos de gás com o dispositivo de ignição elétrico tem de instalar uma pilha AA no dispositivo de ignição. Essa pilha não é fornecida com o aparelho. Encontra o compartimento da pilha do dispositivo de ignição no interior do armário do seu aparelho.

9.1 Instruções de segurança

- Antes de acender o aparelho, execute todas as verificações listadas em "8 Preparar o aparelho".
- Certifique-se de que a tampa está sempre aberta quando acende um bico de gás.
- Nunca se debruce diretamente sobre um bico de gás quando o acender.

9.2 Acender os bicos de gás principais

9.2.1 UTILIZAR O DISPOSITIVO DE IGNIÇÃO

- 1 Abra a tampa e coloque os botões de controlo dos bicos de gás principais para OFF.
- 2 Se nenhum outro bico de gás estiver ainda aceso, abra o fornecimento de gás e aguarde dez segundos. Isto permite que o gás estabilize.
- 3 Empurre o botão de controlo de um bico de gás de espeto, coloque-o para HIGH e mantenha-o premido durante algum tempo. O dispositivo de ignição incorporado causará faíscas que acenderão o bico de gás.

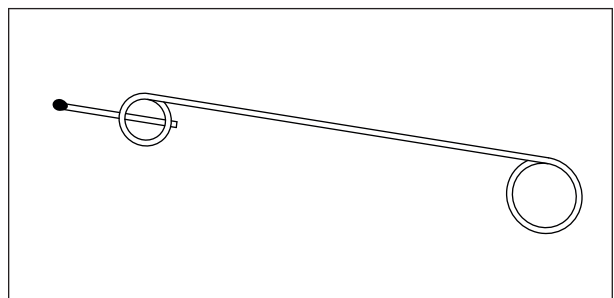


Acenda sempre um bico de gás principal para começar. Nunca acenda todos os bicos de gás principais ao mesmo tempo.

- 4 Se o bico de gás não acender após três tentativas, defina o respetivo botão de controlo para OFF, feche o fornecimento de gás e aguarde 5 minutos. Isto permitirá que o gás acumulado se evapore.
- 5 Tente novamente acender o bico de gás. Se ainda assim não acender, tente acendê-lo com um fósforo ou consulte "14 Resolução de problemas" para determinar a causa do problema.

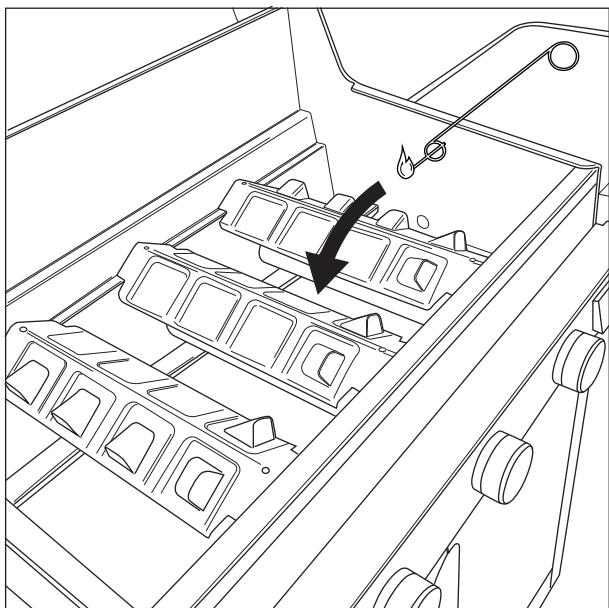
9.2.2 UTILIZAR UM FÓSFORO

- 1 Coloque um fósforo no suporte de fósforos.




- 2 Abra a tampa e coloque os botões de controlo dos bicos de gás principais para OFF.
- 3 Se nenhum outro bico de gás estiver ainda aceso, abra o fornecimento de gás e aguarde dez segundos. Isto permite que o gás estabilize.

- 4 Acenda o fósforo e segure-o cerca de 13 mm do bico de gás.




- 5 Defina o botão de controlo de um bico de gás para HIGH.

 Acenda sempre um bico de gás principal para começar. Nunca acenda todos os bicos de gás principais ao mesmo tempo.

- 6 Se o bico de gás não acender dentro de 5 segundos, defina o respetivo botão de controlo para OFF, feche o fornecimento de gás e aguarde 5 minutos. Isto permitirá que o gás acumulado se evapore.
- 7 Tente novamente acender o bico de gás. Se ainda assim não acender, consulte "14 Resolução de problemas" para determinar a causa do problema.

9.3 Acender o bico de gás lateral

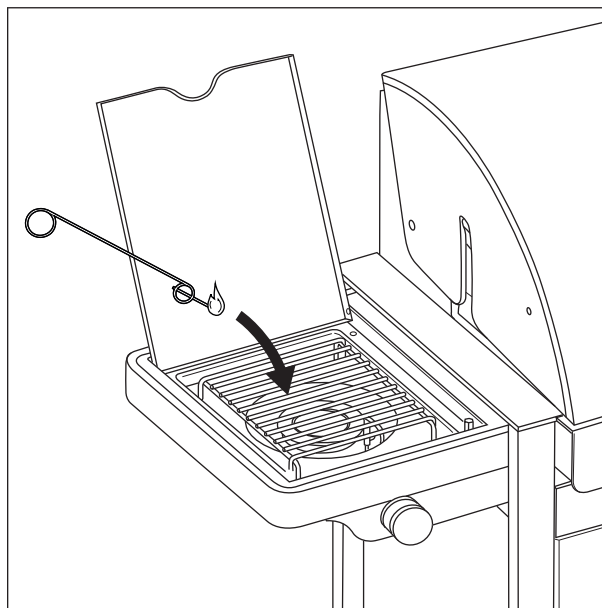
 O bico de gás lateral apenas pode transportar recipientes com um peso máximo de 9 kg e um diâmetro máximo de 220 mm.

9.3.1 UTILIZAR O DISPOSITIVO DE IGNIÇÃO

- 1 Abra a tampa e defina o botão de controlo do bico de gás lateral para OFF.
- 2 Se nenhum outro bico de gás estiver ainda aceso, abra o fornecimento de gás e aguarde dez segundos. Isto permite que o gás estabilize.
- 3 Empurre o botão de controlo do bico de gás lateral, coloque-o para HIGH e mantenha-o premido durante algum tempo. O dispositivo de ignição incorporado causará faíscas que acenderão o bico de gás lateral.
- 4 Se o bico de gás não acender após três tentativas, defina o respetivo botão de controlo para OFF, feche o fornecimento de gás e aguarde 5 minutos. Isto permitirá que o gás acumulado se evapore.
- 5 Tente novamente acender o bico de gás lateral. Se ainda assim não acender, tente acendê-lo com um fósforo ou consulte "14 Resolução de problemas" para determinar a causa do problema.

9.3.2 UTILIZAR UM FÓSFORO

- 1 Coloque um fósforo no suporte de fósforos.
- 2 Abra a tampa e defina o botão de controlo do bico de gás lateral para OFF.
- 3 Se nenhum outro bico de gás estiver ainda aceso, abra o fornecimento de gás e aguarde dez segundos. Isto permite que o gás estabilize.
- 4 Acenda o fósforo e segure-o cerca de 13 mm do bico de gás lateral.



- 5 Defina o botão de controlo do bico de gás lateral para HIGH.
- 6 Se o bico de gás lateral não acender dentro de 5 segundos, defina o respetivo botão de controlo para OFF, feche o fornecimento de gás e aguarde 5 minutos. Isto permitirá que o gás acumulado se evapore.
- 7 Tente novamente acender o bico de gás lateral. Se ainda assim não acender, consulte "14 Resolução de problemas" para determinar a causa do problema.

9.4 Desligar os bicos de gás

Se deixar de utilizar os bicos de gás tem de desligá-los. Proceda do seguinte modo:

- 1 Feche o fornecimento de gás.
- 2 Defina os botões de controlo dos bicos de gás para OFF.



Ao fechar primeiramente o fornecimento de gás, certifique-se de que não existe gás residual no aparelho.

9.5 Reacender os bicos de gás

Se um bico de gás se apagar enquanto estiver a ser utilizado, proceda do seguinte modo:

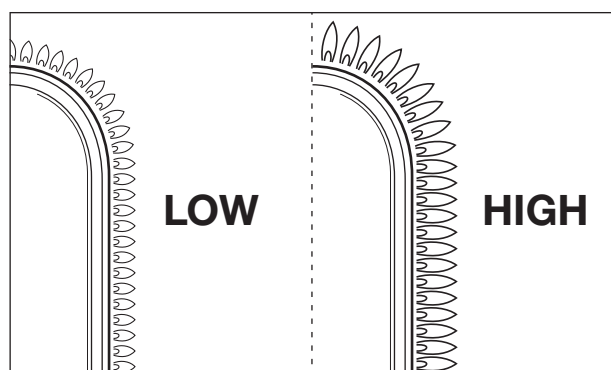
- 1 Abra a tampa e feche o fornecimento de gás.
- 2 Defina todos os botões de controlo para OFF e aguarde 5 minutos. Isto permitirá que o gás acumulado se evapore.
- 3 Reacenda o(s) bico(s) de gás.

9.6 Verificar as chamas

Sempre que acende um bico de gás deve verificar as chamas. Uma chama perfeita é quase completamente azul, com um pouco de amarelo no topo. As chamas amarelas esporádicas são normais e não são prejudiciais.

Se notar algo de errado nas chamas, tome uma das seguintes medidas para solucionar o problema:

Se as chamas estiverem:	Faça o seguinte:
Baixas e completamente amarelas	<ol style="list-style-type: none">1 Feche imediatamente o fornecimento de gás e defina todos os botões de controlo para OFF.2 Consulte "14 Resolução de problemas" para determinar a causa do problema. O mais provável é os venturis estarem bloqueados.
Mais alto do que a taça	<ol style="list-style-type: none">1 Feche imediatamente o fornecimento de gás e defina todos os botões de controlo para OFF.2 Aguarde 5 minutos de modo a permitir que o gás acumulado se evapore.3 Reacenda o(s) bico(s) de gás.4 Se o problema persistir, consulte "14 Resolução de problemas" para determinar a causa do problema.



10 DICAS E CONSELHOS ÚTEIS

10.1 Pré-aquecer o aparelho

Ao pré-aquecer o seu aparelho garante que o grelhador está suficientemente quente quando colocar alimentos neste. Proceda do seguinte modo:

- 1 Acenda o(s) bico(s) de gás e defina o(s) respetivo(s) botão(ões) de controlo para HIGH.
- 2 Feche a tampa e deixe o aparelho durante dez minutos.
- 3 Após dez minutos, abra a tampa e coloque os seus alimentos no grelhador.
- 4 Se necessitar de menos calor agora, defina o(s) botão(ões) de controlo para uma posição inferior.

10.2 Evitar que os alimentos fiquem agarrados


Para evitar que os alimentos fiquem agarrados à grelha:

- Unte os alimentos com óleo utilizando um pincel antes de colocá-los na grelha. Também pode olear o próprio grelhador.
- Pré-aqueça o aparelho. Quanto mais quente estiver o grelhador quando coloca alimentos sobre este, menos os alimentos ficarão agarrados a este.
- Não vire os alimentos muito rapidamente. Deixe-os primeiramente apanharem algum calor.

10.3 Grelhar direta e indiretamente

Dependendo do tipo de alimentos que estiver a preparar e do modo como pretende prepará-los, pode grelhar direta ou indiretamente:


Método	Descrição	Utilização
Diretamente	Coloque os seus alimentos diretamente sobre um bico de gás acedo, coloque esse bico de gás numa posição elevada e mantenha a tampa aberta.	Para tostar carne e vegetais
Indiretamente	Coloque os seus alimentos junto de um bico de gás acedo, coloque esse bico de gás numa posição média/baixa e feche a tampa.	Para continuar a cozinhar carne tostada

 Quando estiver a grelhar com a tampa fechada, mantenha-se sempre atento ao termómetro da tampa de modo a assegurar que o aparelho não fica muito quente. Ver "10.5 Monitorizar a temperatura".

10.4 Grelhar com a tampa fechada

Fechar a tampa enquanto faz grelhados tem algumas vantagens importantes:

- A temperatura do grelhador é superior e mantém-se mais constante.
- Reduz o tempo de cozedura dos seus alimentos e mantém os seus alimentos mais húmidos.
- Reduz as chamas descontroladas e poupa gás.

 Quando estiver a grelhar com a tampa fechada, mantenha-se sempre atento ao termómetro da tampa de modo a assegurar que o aparelho não fica muito quente. Ver "10.5 Monitorizar a temperatura".

10.5 Monitorizar a temperatura

O seu aparelho está equipado com bicos de gás potentes pelo que aquece rapidamente e pode manter a temperatura regular. Quando estiver a grelhar com a tampa fechada tem de certificar-se de que o aparelho não fica muito quente. Mantenha-se atento ao termómetro da tampa e tenha em conta as seguintes orientações:

- Uma temperatura de cozedura normal é de aproximadamente 210 °C. Com temperaturas superiores, a queda de gordura e a gordura acumulada pode causar incendiar.
- A temperatura não deve nunca ser superior a 300 °C durante mais de cinco minutos. Isto pode danificar e deformar o aparelho.



Se o aparelho ficar demasiado quente, arrefeça-o ao abrir

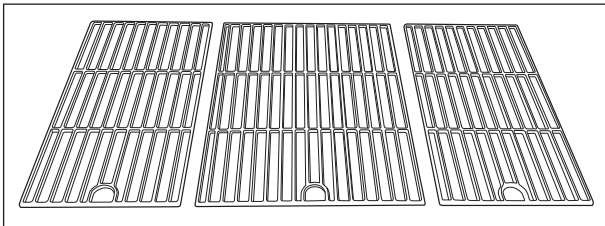
a tampa e colocar os bicos de gás numa posição inferior.

10.6 Otimizar a utilização do calor

A parte central da taça está mais quente do que os lados. De modo a permitir-lhe usar a parte mais quente no seu potencial máximo, o aparelho encontra-se equipado com grelhas de diferentes tamanhos. É fornecido com:

- Uma grelha grande para ser colocada no centro da taça.
- Duas grelhas pequenas para serem colocadas nas laterais da taça.

Se colocar as grelhas corretamente na taça e acender todos os bicos de gás, toda a grelha central será aquecida ao máximo. Desta forma, expande a parte mais quente da taça e pode fazer uso máximo da superfície da grelha do seu aparelho.



10.7 Aproveitar as zonas quentes

Quando todos os bicos de gás estiverem acesos, as coberturas dos bicos de gás distribuem o calor o mais uniformemente possível pelo grelhador. Apesar deste calor uniforme, algumas zonas ainsa estão mais quentes do que outras. Pode aproveitar estas zonas de calor para grelhar os seus alimentos na perfeição:

Zona	Quente?	Utilizar para...
Frente	Quente	Grelhar alimentos delicados (camarões, peixe...)
Centro	Mais quente	Preparar alimentos que necessitam de algum tempo para cozer (por ex.: salsichas, coxas de galinha...)
Voltar	Muito quente	Tostar carne e vegetais



Também pode criar zonas de calor ao jogar com a potência dos bicos de gás. Pode, por exemplo, definir um bico de gás para uma posição inferior e utilizar a zona acima desse bico de gás para alimentos delicados ou alimentos que necessitam de algum tempo para cozer.

10.8 Evitar chamas descontroladas

Quando estiver a grelhar, é natural que ocorram algumas chamas descontroladas. Contudo, demasiadas chamas descontroladas aumentam a temperatura no aparelho e podem incendiar gordura acumulada. Para evitar chamas descontroladas:

- Certifique-se de que a taça está limpa quando começar a grelhar. Recomendamos colocar uma nova Leaf® na taça antes de cada utilização. Ver "11.2 Limpar a taça".
- Verifique regularmente se o orifício de drenagem de gordura não está bloqueado e se o tabuleiro de recolha de gordura ou taça ainda não está cheio.
- Quando grelhar carne gordurosa, apare a gordura excessiva, feche a tampa e defina os bicos de gás para uma posição média ou baixa.

11 MANUTENÇÃO DO APARELHO

11.1 Limpar o grelhador

Recomendamos que limpe o grelhador após cada utilização, com o Barbecue cleaner. Proceda do seguinte modo:

- 1 Pulverize a espuma na grelha e deixe-a atuar durante algum tempo.
A espuma descolora à medida que absorve a sujidade e as gorduras.
- 2 Remova a espuma com uma esponja suave e água e enxague bem o grelhador.
- 3 Seque bem o grelhador e guarde-o num local seco. Isto previne a formação de pó.



Também pode limpar o grelhador com um detergente suave ou com bicarbonato de sódio. Nunca utilize limpa-fornos no grelhador.

11.2 Limpar a taça

Recomendamos que limpe o aparelho após cada utilização. A forma mais fácil de fazê-lo é ao colocar uma Leaf® na taça antes de começar a grelhar. A Leaf® é uma folha que se encaixa na taça perfeitamente e que recolhe todos os resíduos e gorduras. Quando o aparelho tiver arrefecido, remova a folha® e a taça está limpa.



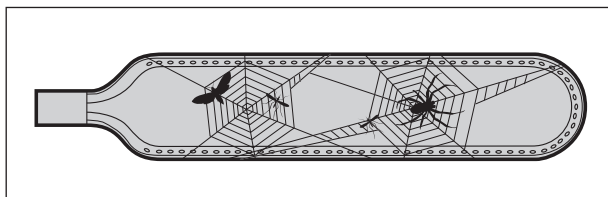
Registe o seu aparelho em www.barbecue.com para saber qual o tipo de Leaf® que necessita.

11.3 Limpar os queimadores e os venturis

11.3.1 PORQUE LIMPAR OS BICOS DE GÁS E OS VENTURIS?

As aranhas e os insetos podem fazer teias e ninhos nos bicos de gás e nos venturis. Isto poderá bloquear o fornecimento de gás para os bicos de gás. Como resultado:

- Não pode acender os bicos de gás. Se conseguir acendê-los ainda assim, apenas produzirão chamas com fumo e amarela.
- O gás pode começar a queimar fora dos venturis, nos botões de controlo. Estes incêndios são denominados chamas descontroladas e podem resultar em graves lesões e danos materiais.



i Os danos causados por bicos de gás e venturis bloqueados são considerados como manutenção inadequada e não são cobertos pela garantia.

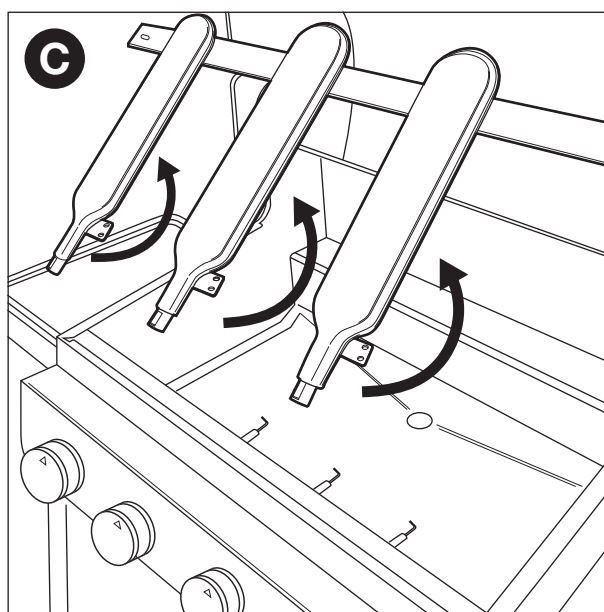
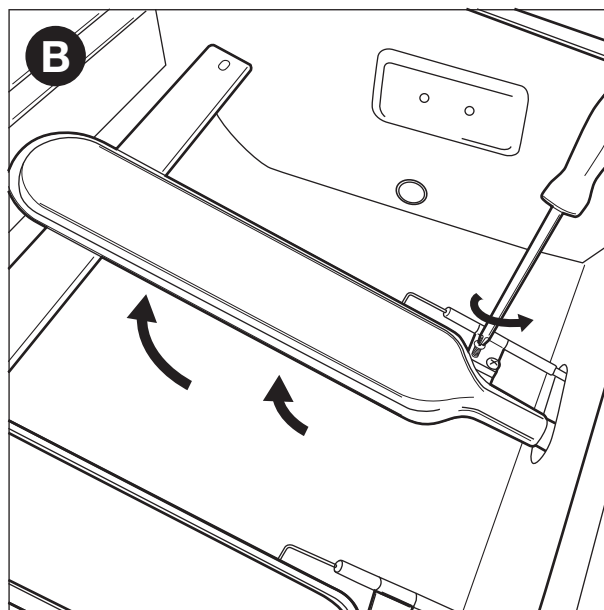
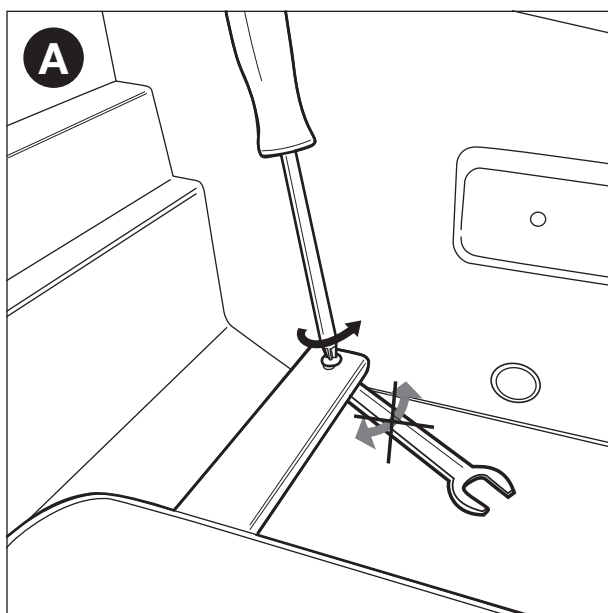
11.3.2 QUANDO LIMPAR OS BICOS DE GÁS E OS VENTURIS?

Tem de limpar os bicos de gás e os venturis do seu aparelho:

- Antes da primeira utilização após um longo período de não-utilização.
- Pelo menos duas vezes por ano, de preferência no início da estação.

11.3.3 LIMPAR OS BICOS DE GÁS E OS VENTURIS

- 1 Remova os bicos de gás do aparelho conforme indicado nas ilustrações. Se notar que um bico de gás está danificado, tem de substituí-lo.



- 2 Limpe os bicos de gás e os venturis com uma escova pequena ou um produto de limpeza de tubos caseiro (um clipe de papéis desdobrado, uma escova de canos...).
- 3 Volte a colocar os bicos de gás. Certifique-se de que os venturis são colocados sobre as aberturas das válvulas de gás.

11.4 Manutenção de peças esmaltadas, em aço inoxidável e revestidas a pó

O aparelho é composto por peças esmaltadas, em aço inoxidável, peças e revestidas a pó. Cada material tem de ser mantido de forma diferente:

Material	Como manter este material
Esmalte	<ul style="list-style-type: none">• Não utilize objetos afiados e não bata contra uma superfície dura.• Evite o contacto com líquidos frios quando ainda estiver quente.• Pode utilizar esponjas de metal e detergentes abrasivos.

Material	Como manter este material
Aço inoxidável	<ul style="list-style-type: none"> Não utilize detergentes agressivos, abrasivos ou de metal. Utilize detergentes suaves e deixe-os atuar no aço. Utilize uma esponja ou pano macios. Enxágue bem após limpar e seque bem antes de guardar.
Revestimento a pó	<ul style="list-style-type: none"> Não utilize objetos afiados. Utilize detergentes suaves e uma esponja ou pano macios. Enxágue bem após limpar e seque bem antes de guardar.



De modo a evitar a formação de ferrugem no aço inoxidável, evite o contacto com cloro, sal e ferro. Recomendamos que não utilize o aparelho junto da linha costeira, junto de linhas férreas ou junto de piscinas.



Os danos causados pelo incumprimento destas instruções são considerados como manutenção inadequada e não são cobertos pela garantia.

Por baixo da vista expandida do seu aparelho (segunda parte do manual) encontra uma lista com todas as peças que compõem o aparelho. Esta lista inclui um símbolo que especifica o material de cada peça, pelo que pode utilizá-la para verificar como tem de manter uma peça em particular. As listas de peças utilizam os seguintes símbolos:

Símbolo	Material
●	Esmalte
■	Aço inoxidável
★	Revestimento a pó

11.5 Guardar o aparelho

Se não utilizar o seu aparelho durante um período prolongado, guarde-o num local seco. Antes de guardar o aparelho:

- Desligue a botija de gás. Nunca guarde o seu aparelho no interior (nem mesmo numa garagem ou abrigo) enquanto estiver ligado a uma botija de gás.
- Limpe os bicos de gás e as grelhas, esfregue-os com óleo e embrulhe-os em papel.
- Se o seu aparelho estiver equipado com um bico de gás de espeto, remova o motor do bico de gás de espeto e guarde-o num local seco.
- Cubra o seu aparelho com uma Barbecue cobertura. Registe o seu aparelho em www.barbecue.com para saber qual a tampa que necessita.

11.6 Guardar botijas de gás

Estas instruções aplicam-se a botijas vazias e cheias de gás.

- Guarde sempre as botijas de gás no exterior, numa área bem ventilada. Certifique-se de que não estão expostos a calor excessivo ou a luz solar direta.
- Nunca guarde uma botija de gás numa área que pode se tornar muito quente (num carro, num barco...).
- Nunca guarde a sua botija de gás ou botija de gás suplente no armário do seu aparelho.
- Nunca guarde a sua botija de gás junto a um aparelho de gás em utilização.

- Guarde sempre as botijas de gás fora do alcance das crianças.
- Guarde e transporte as botijas de gás sempre na posição vertical.

11.7 Encomendar peças sobresselentes

As peças diretamente expostas a chama ou calor intenso têm de ser substituídas esporadicamente. Para encomendar uma peça sobresselente:

- Consulte o número de referência da peça que necessita. Pode encontrar uma lista de todos os números de referência por baixo das vistas expandidas na segunda parte deste manual e em www.barbecue.com.



Se registou o seu aparelho online será automaticamente direcionado para a lista correta.

- Encomende a peça sobresselente no seu ponto de venda. Pode encomendar peças tanto ao abrigo da garantia como fora desta.

12 GARANTIA

12.1 Coberto

O seu aparelho é fornecido com uma garantia de dois anos, a qual entra em vigor a partir da data de aquisição. Esta garantia cobre todas as anomalias de fabrico, desde que:

- tenha utilizado, montado e mantido o seu aparelho de acordo com as instruções do presente manual. Os danos causados pela utilização incorreta, montagem incorreta ou manutenção inadequada não são considerados como anomalias de fabrico.
- Pode apresentar o recibo e o número de série único do seu aparelho. Este número de série começa por um G, seguido de 15 algarismos. Pode encontrá-lo:
 - Neste manual e no pacote de principiante que inclui o manual.
 - Na embalagem do aparelho.
 - Na placa de identificação no interior da porta do armário (Quisson, Siesta 4 e Siesta 6) ou no interior do painel frontal inferior (Spring, Siesta 2 e Siesta 3).
- O Barbecue departamento da qualidade confirma que as peças estão anómalas e que foram demonstraram estarem anómalas mediante utilização normal, montagem correta e manutenção adequada.

Se uma das condições acima não for cumprida, não pode reclamar qualquer tipo de contributo. Em todo o caso, a garantia limita-se à reparação ou substituição da(s) peça(s) anómala(s).

12.2 Não coberto

Os seguintes danos e anomalias não estão cobertos pela garantia:

- Desgaste normal (ferrugem, distorção, descoloração...) das peças diretamente expostas ao fogo ou calor intenso. É normal substituir estas peças esporadicamente.
- Irregularidades visuais inerentes ao processo de fabrico. Estas irregularidades não são consideradas como anomalias de fabrico.
- Todos os danos causados por manutenção inadequada, armazenamento incorreto, montagem imprópria ou modificações efetuadas em peças pré-montadas.
- Todos os danos causados por utilização incorreta e abuso do aparelho (não utilizado de acordo com as instruções constantes neste manual, utilizá-lo para fins comerciais...).

- Todos os danos consequentes causados por utilização descuidada ou não-conforme do aparelho.
- Ferrugem ou descoloração causadas por influências externas, a utilização de detergentes agressivos, exposição ao cloro... Estes danos não são considerados como anomalias de fabrico.

13 ESPECIFICAÇÕES TÉCNICAS

13.1 Placa de identificação

A placa de identificação lista todas as especificações técnicas do seu aparelho. Pode encontrá-lo:

- Na segunda parte deste manual.
- No interior da porta do armário.

13.2 Diâmetros do injetor

- Bico de gás principal: 0,991 mm
- Bico de gás lateral: 0,88 mm

14 RESOLUÇÃO DE PROBLEMAS

Problema	Causa(s) provável(eis)	Solução(ões)
Calor insuficiente	<ul style="list-style-type: none"> Fornecimento de gás não aberto Venturis não colocados sobre as aberturas das válvulas de gás Aberturas do bico de gás bloqueadas Botija do gás (quase) vazia Regulador da pressão não ligado corretamente à botija e/ou mangueira 	<ul style="list-style-type: none"> Abrir fornecimento de gás Colocar venturis sobre as aberturas das válvulas de gás Limpar aberturas do bico de gás ou substituir os bicos de gás Substituir a botija de gás Ligar novamente o regulador de pressão à botija e/ou mangueira
Calor excessivo e/ou chamas descontroladas	<ul style="list-style-type: none"> Alimentos demasiado gordurosos Orifício de drenagem da gordura bloqueado, gordura na taça e/ou gordura nos bicos de gás Coberturas dos bicos de gás não montados corretamente Temperatura demasiado alta 	<ul style="list-style-type: none"> Retirar o excesso de gordura ou colocar os bicos de gás numa posição baixa Limpar o orifício de drenagem da gordura, a taça e os bicos de gás Montar as coberturas dos bicos de gás corretamente Definir os bicos de gás para uma temperatura mais baixa e/ou grelhar os alimentos indiretamente
Calor não distribuído uniformemente ao longo da superfície do grelhador	<p>Algumas diferenças de calor são normais, ver “11.6 Otimizar a utilização do calor” e “11.7 Aproveitar as zonas quentes”. Causa(s) provável(eis) para grandes diferenças de calor:</p> <ul style="list-style-type: none"> Coberturas dos bicos de gás não montadas corretamente Aparelho não pré-aquecido 	<ul style="list-style-type: none"> Montar as coberturas dos bicos de gás corretamente Pré-aquecer o aparelho
Chamas amarelas	<ul style="list-style-type: none"> Bicos de gás ou venturis bloqueados Presença de sal nos bicos de gás Aparelho ligado a butano 	<ul style="list-style-type: none"> Limpar os bicos de gás e os venturis Limpar os bicos de gás Ligar o aparelho ao propano, utilizando um regulador de pressão apropriado
Chama incompleta	Bico de gás bloqueado, perfurado ou enferrujado	Limpar ou substituir o bico de gás
Chamas descontroladas (chamas fora dos venturis/nos botões de controlo)	Bicos de gás ou venturis bloqueados	<ol style="list-style-type: none"> Fechar o fornecimento de gás e definir todos os bicos de gás para OFF. Deixar o aparelho arrefecer. Limpar os bicos de gás e os venturis.
Chamas mais altas do que o bordo da taça	<ul style="list-style-type: none"> Muito vento Botija do gás (quase) vazia Gordura na taça e/ou nos bicos de gás 	<ul style="list-style-type: none"> Colocar o aparelho com o lado traseiro virado para o vento Substituir a botija de gás Limpar a taça, limpar os bicos de gás e substituir Leaf®
O regulador de pressão range	<ul style="list-style-type: none"> Tempo quente Nova botija de gás (cheia) 	Não é um perigo ou defeito. Deve parar automaticamente após algum tempo.
O bico de gás assobia quando definido para LOW	Injetor de gás, venturi e/ou bico de gás sujo	Limpar o injetor de gás, venturi e bico de gás
Não é possível acender o bico de gás (com dispositivo de ignição ou com fósforo)	<ul style="list-style-type: none"> Bico de gás ou venturi bloqueados Sem fornecimento de gás 	<ul style="list-style-type: none"> Limpar o bico de gás e o venturi Abrir o fornecimento de gás e premir o botão de segurança no regulador de pressão (não existe em todos os reguladores)

Problema	Causa(s) provável(eis)	Solução(ões)
Não é possível ligar o bico de gás com o dispositivo de ignição	<ul style="list-style-type: none"> Sem pilha instalada ou pilha instalada incorretamente Cabos do dispositivo de ignição montados incorretamente Elétron danificado Falha na ligação à terra Dispositivo de ignição anómalo 	<ul style="list-style-type: none"> (Re)instale a pilha, com os terminais posicionados corretamente Verifique e monta novamente todas as ligações do dispositivo de ignição Substituir o elétron Verificar e montar novamente os elétrons, bicos de gás e dispositivo de ignição Substitua o dispositivo de ignição
Sem faíscas ou som quando pressiona o dispositivo de ignição	<ul style="list-style-type: none"> Sem pilha instalada ou pilha instalada incorretamente Pilha vazia Botão do dispositivo de ignição montado incorretamente Gerador de faíscas avariado 	<ul style="list-style-type: none"> (Re)instale a pilha, com os terminais posicionados corretamente Substituir a pilha Montar novamente o botão do dispositivo de ignição Substituir o gerador de faíscas
Apenas som (sem faíscas) quando pressiona o dispositivo de ignição	<ul style="list-style-type: none"> Falha na ligação à terra Bico de gás e elétron demasiado afastados 	<ul style="list-style-type: none"> Ligar novamente o gerador de faíscas e os elétrons Dobre ligeiramente o elétron para aproximá-lo do bico de gás
Presença de faíscas que não provêm dos bicos de gás	Cabos avariados	Substituir os cabos
Existem faíscas mas não em todos os elétrons e/ou não são fortes o suficiente	<ul style="list-style-type: none"> Falha na ligação à terra Pilha fraca Elétrons húmidos ou partidos 	<ul style="list-style-type: none"> Ligar novamente o gerador de faíscas e os elétrons Substituir a pilha Secar os elétrons com toalhetes ou substituir os elétrons

SV - BRUKSANVISNING


1	Registrera din produkt	122	10	Användbara tips och användningssätt	128
2	Om denna bruksanvisning	122		• Förvärmning av produkten.	128
3	Viktiga säkerhetsinstruktioner	122		• Förhindra att mat fastnar	128
	• Läs och följ instruktionerna	122		• Direkt och indirekt grillning.....	128
	• Var försiktig med gaser.....	122		• Grillning med stängt lock	128
	• Välja en lämplig plats.....	122		• Bevakning av temperaturen	128
	• Använd sunt förnuft.....	122		• Optimal användning av värmen	128
4	Återkommande begrepp	122		• Ta vara på värmeområdena.....	129
	• Venturirör	122		• Undvik höga lågor	129
	• Brännarhöljen	123	11	Underhålla produkten	129
	• Emalj.....	123		• Rengöra grillen	129
	• Höga lågor.....	123		• Rengöra skålen	129
5	Montera produkten	123		• Rengöring av brännarna och venturirören.....	129
	• Säkerhetsinstruktioner.....	123		• Underhåll av emaljdelen, delar av rostfritt stål och samt sprejade delar.....	130
	• Att montera produkten	123		• Förvaring av produkten	131
6	Anslutning av gas till produkten.....	123		• Förvaring av gascylindrar	131
	• Vilken cylinder, slang och regulator?.....	123		• Beställa reservdelar.....	131
	• Säkerhetsinstruktioner.....	124	12	Garanti	131
	• Anslutning av slangen till produkten	124		• Omfattas.....	131
	• Anslutning av slangen och cylindern till regulatorn...124			• Omfattas inte.....	131
	• Byte av cylinder	125	13	Tekniska specifikationer	131
7	Leta efter gasläckor.....	125		• Typbeteckning	131
	• Varför ska man leta efter gasläckor?	125		• Injektordiametrar	131
	• När ska man leta efter gasläckor?.....	125	14	Felsökning.....	132
	• Säkerhetsinstruktioner.....	125			
	• Vilka material behöver jag?	125			
	• Leta efter gasläckor	125			
	• I händelse av gasläcka	126			
8	Förbereda grillen för användning	126			
	• Före varje användning	126			
	• Före första användningstillfället (på länge)	126			
	• Genombränning i produkten.....	126			
9	Tända brännarna.....	126			
	• Säkerhetsinstruktioner.....	126			
	• Tända huvudbrännarna.....	126			
	• Tända sidobrännaren.....	127			
	• Avstängning av brännarna.....	127			
	• Tända brännarna igen.....	128			
	• Bevakning av lågor	128			


1 REGISTRERA DIN PRODUKT

Tack för att du köpt en produkt från Barbecue! Vi är övertygade om att den kommer att bereda dig många lyckliga stunder av grillning.

För att optimera din upplevelse, registrera din produkt på www.barbecue.com. Det tar endast några minuter och ger några viktiga fördelar:

- Du får åtkomst till vår personanpassade tjänst för efterförsäljning. Det gör att du, till exempel, snabbt kan hitta reservdelar till din produkt eller dra fördel av en optimal garantiservice.
- Vi kan ge dig information om intressanta produktuppdateringar och hänvisa dig till den produktinformation och specifikation som är relevant för din produkt.

 För mer information om att registrera din produkt, se www.barbecue.com.

 Barbecue respekterar din integritet. Dina data kommer inte att säljas eller distribueras till eller delas med tredje parter.

2 OM DENNA BRUKSANVISNING


Denna bruksanvisning består av två delar:

- Den första delen är den del som du läser nu. Den innehåller instruktioner för montering, användning och underhåll av din produkt.
- Den andra delen börjar på sidan 379. Där finns alla typer av bilder (sprängskisser, monteringsritningar, typbeteckningar) för produkter som beskrivs i den här bruksanvisningen.

3 VIKTIGA SÄKERHETSINSTRUKTIONER

3.1 Läs och följ instruktionerna


Läs instruktionerna innan du använder produkten. Följ alltid instruktionerna noggrant. Att montera eller använda produkten på annat sätt kan orsaka bränder eller materiell skada.

 Skador som orsakas av att instruktionerna inte följts (oriktig montering, felaktig användning, otillräckligt underhåll...) omfattas inte av garantin.

3.2 Var försiktig med gaser

Att hantera gas är säkert men kräver extra noggrannhet:

- Förvara alltid gascylindrar utomhus på en välventilerad plats. Se till att de inte utsätts för stark hetta eller direkt solljus.
- Förvara aldrig din gascylinder eller reservcylindrar i höljet på din produkt.
- När gascylindern används ska du sätta den på cylindervagnen vid sidan om produkten.
- Förvara aldrig din reservgascylinder nära en gasprodukt som används.
- Stäng alltid av gastillförseln vid gascylindern när du har använt den.
- Rök aldrig i närheten av en gasprodukt eller nära en gascylinder (full/tom).

 Om du känner lukten av gas ska du omedelbart stänga av gastillförseln, släcka alla lågor och öppna produktens lock. Om lukten inte försvinner ska du ringa till din gasleverantör eller brandkåren.

3.3 Välja en lämplig plats

Använd produkten endast utomhus. Användning av den inomhus, även i ett garage eller skjul kan orsaka koloxidförgiftning.

När en plats utomhus väljs, gör alltid följande:

- Placera produkten minst tre meter från alla byggnader, i ett öppet och väl ventilerat område.
- Tillse att det alltid finns ett fritt luftflöde till brännarna och ventilationshålen i höljet.
- Tillse att produkten inte befinner sig under en överhängande konstruktion (veranda, skydd...) eller under bladverk.
- Ställ produkten på en fast och stabil yta. Ställ den aldrig på ett fordon i rörelse (en båt, ett släp...).

3.4 Använd sunt förnuft

Använd alltid sunt förnuft när produkten används:

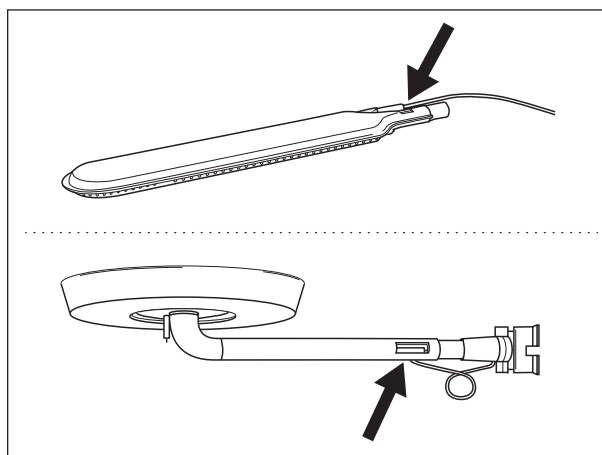
- Använd den alltid utomhus.
- Flytta inte på produkten när den används.
- Lämna inte produkten obevakad när den används, särskilt när det finns barn och djur i närheten.
- **WARNING!** Vissa åtkomliga delar kan bli väldigt varma. Håll småbarn borta.
- Använd lämpligt skydd vid hantering av varma delar (t. ex. lock eller grillgaller).
- Produkten måste hållas borta från antändliga material när den används.
- Håll antändliga material, antändliga vätskor och lösliga föremål borta från produkten när den används.
- Använd inte trä, kol, lavastenar eller keramiska briketter på en gasprodukt.
- Använd inte produkten om du har druckit alkohol eller tagit droger.
- Modifiera inte produkten.

4 ÅTERKOMMANDE BEGREPP

Denna del innehåller definitioner av några begrepp som är mindre bekanta. Dessa begrepp används i flertalet beskrivningar i bruksanvisningen.

4.1 Venturirör

Venturirören är små rör som är anslutna vid brännarens ingångar. Bredvid venturirören finns ett hål. Det syns bredvid huvudbrännarna och på sidobrännaren:



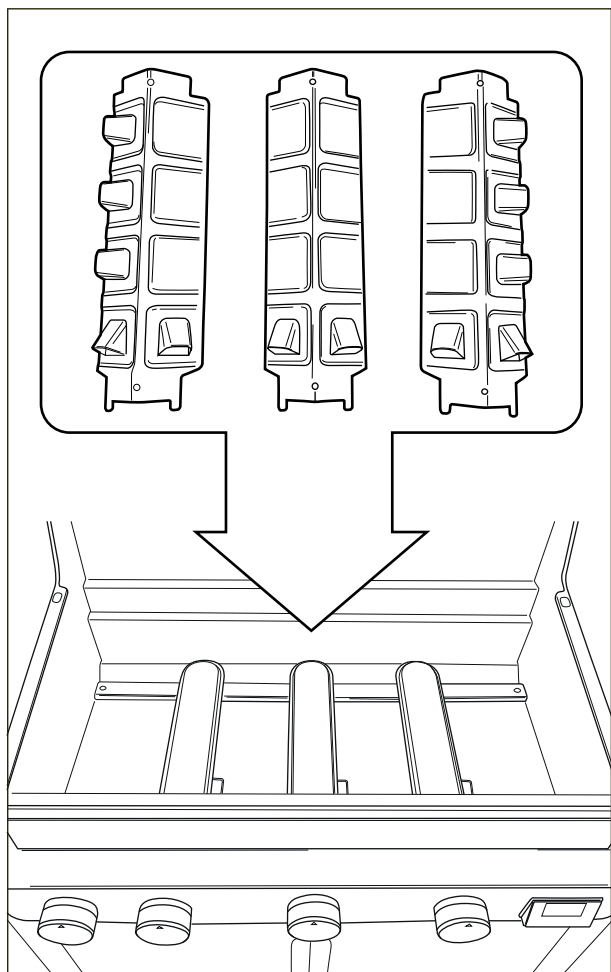
När gasen är på väg till brännarna går den genom venturirören. Tack vare hålen på sidorna så blandas gasen med luft och därigenom blandas den med syre. Det här är nödvändigt för att ge brännarna en bra antändning: endast rätt blandning av gas och syre tänds på rätt sätt och kommer att ge fina lågor.

4.2 Brännarhöljen

Brännarhöljerna är de höljen som du monterar ovanför brännarna på din produkt. De skyddar brännarna från droppande fett och är en avgörande del i Turbo Heating System. Genom de halvöppna hålen på sidorna på höljen fördelas värmen över grillen, så att den värms upp mycket snabbare och jämnare.



Var särskilt uppmärksam på brännarhöljerna när du sätter ihop din produkt. Turbo Heating System fungerar endast som den ska om varje hölje är monterat ovanför rätt brännare.



4.3 Emalj

En del av produkten är täckt av ett lager med smält glas som kallas emalj. Denna emalj skyddar den underliggande metallen från korrosion. Emalj är ett högkvalitativt material: Det är motståndskraftigt mot rost, bleknar inte av påverkan från höga temperaturer och är väldigt enkelt att underhålla.



Eftersom emaljen är mindre flexibel än metallen den täcker, kan bitar av emalj lossna när du inte hanterar produkten korrekt. För att undvika problem, var försiktig vid montering av emaljerade delar och underhåll alltid emaljen enligt hur det beskrivs längre fram i denna bruksanvisning.

4.4 Höga lågor

Höga lågor är plötsliga flammor som antänds från skålen vid grillning. Det beror ofta på att det droppar fett eller marinad.

5 MONTERA PRODUKTEN

5.1 Säkerhetsinstruktioner

- Modifiera inte produkten vid montering. Det är mycket farligt och inte tillåtet att ändra delar som är förmonterade och/eller förseglade av tillverkaren.
- Följ alltid monteringsanvisningarna noggrant.
- Användaren är ansvarig för korrekt montering av produkten. Skador orsakade av oriktig montering omfattas inte av garantin.

5.2 Att montera produkten

Du behöver en kryssmejsel, en platt skruvmejsel och ett AA-batteri (elektrisk tändare). Om det ingår en spettbrännare med din produkt behöver du även två D-batterier (spettbrännarmotor). Det ingår inga batterier med produkten.

- 1 Lägg produkten på en plan och ren yta.
- 2 Montera produkten såsom visas på monteringsritningarna. Du hittar dem i den andra delen av denna bruksanvisning, efter sprängskissen över din produkt.



Var försiktig vid montering av emaljerade delar. Verktygen och skruvarna kan skada emaljen. Använd de medföljande fiberbrickorna för att skydda emaljen runt skruvarna.



Blistertförpackningarna kan innehålla fler skruvar än nödvändigt. Det kan bli skruvar över när monteringen är klar.

6 ANSLUTNING AV GAS TILL PRODUKTEN

6.1 Vilken cylinder, slang och regulator?

Innan det går att ansluta gasen till produkten måste du köpa en gascylinder, en slang och en tryckregulator. Köp alltid material som uppfyller alla nationella standarder samt de gastyper och nominella tryck som anges på produkten.

Tabellen nedan visar vilken cylinder, slang och regulator du måste använda. I Belgien (BE) krävs till exempel en propencylinder med en slang och regulator för 37 mbar eller en butancylinder med en slang och regulator för 28–30 mbar.

Land	Cylinder, slang och regulator
DK, GR, NO, SE, EE, LT, LV, CZ, PL, MT, HU, SI, SK	Propan, 30 mbar/Butan, 30 mbar
ES, GB, IE, PT, BE, FR, LU, IT	Propan, 37 mbar/Butan, 28–30 mbar
NL	Propan, 30 eller 50 mbar/Butan, 30 mbar
CY	Propan, 30 eller 37 mbar/Butan, 28–30 mbar



Vi rekommenderar att produkten ansluts till propan. Propan ger en antändning av hög kvalitet och är mindre känslig för frost.



Köp din tryckregulator och gascylinder tillsammans. Alla regulatorer passar inte alla cylindrar.


6.2 Säkerhetsinstruktioner

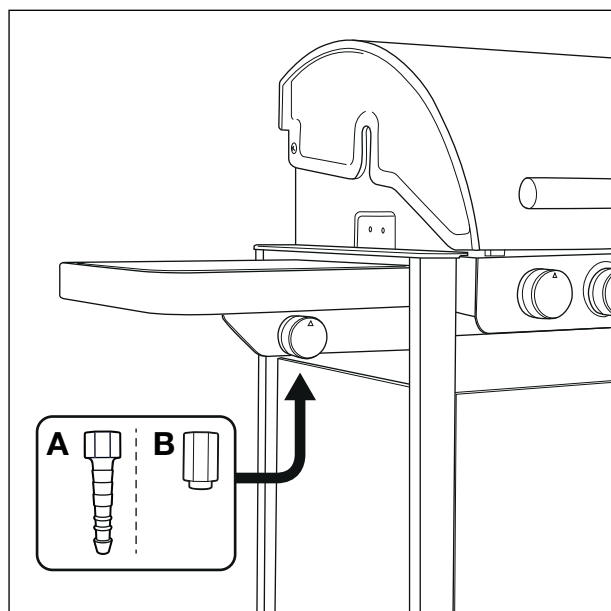
- Anslut aldrig cylindern direkt till produkten. Montera alltid en tryckregulator på cylindern först.
- Modifiera aldrig förmonterade eller förseglade delar på cylindern, slangen eller tryckregulatorn.
- Håll slangen så kort som möjligt (högst 500 - 650 mm) så att den inte släpar på marken.
- Vid anslutning av cylindern, slangen och tryckregulatorn:
 - Vrid aldrig slangen.
 - Se till att cylindern alltid är upprätt.
 - Öppna aldrig gastillförseln.
- Kontrollera om det finns läckor varje gång du ändrar gasanslutningen. Läs "7 Leta efter gasläckor".

6.3 Anslutning av slangen till produkten

För att ansluta gasslangen till produkten måste du montera en koppling på produktens gasrör. Med produkten ingår två kopplingar, och båda är avsedda för särskilda länder:

Land	Koppling
BE, CH, CZ, DK, ES, FI, GB, IE, IT, PT, SI	Koppling A
FR	Koppling B

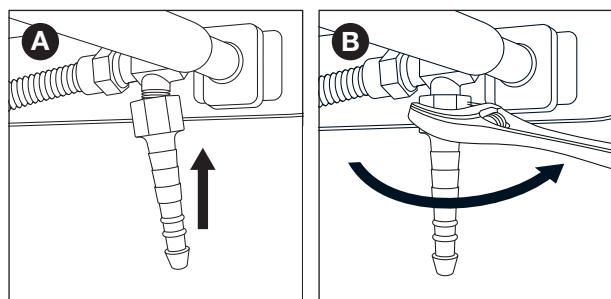
 Om ditt land inte står med i tabellen ska du använda den koppling som uppfyller ditt lands standarder.



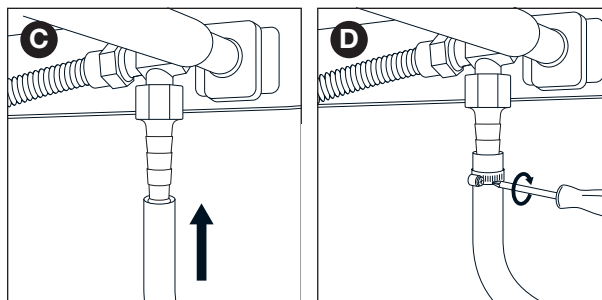
6.3.1 KOPPLING A

Du behöver en 19 mm skruvnyckel och en kryssmejsel.

- 1 Skruva kopplingen på produktens gasrör (A) och dra åt den med en 19 mm skruvnyckel (B).



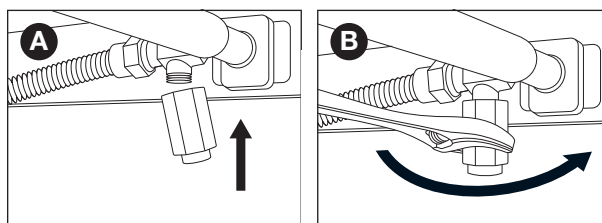
- 2 Skjut slangen över kopplingen (C) och dra åt klämringen med en kryssmejsel (D).



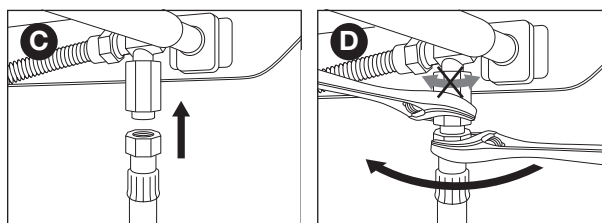
6.3.2 KOPPLING B

Du behöver en 22 mm skruvnyckel och en justerbar skiftnyckel.

- 1 Skruva kopplingen på produktens gasrör (A) och dra åt den med en 22 mm skruvnyckel (B).



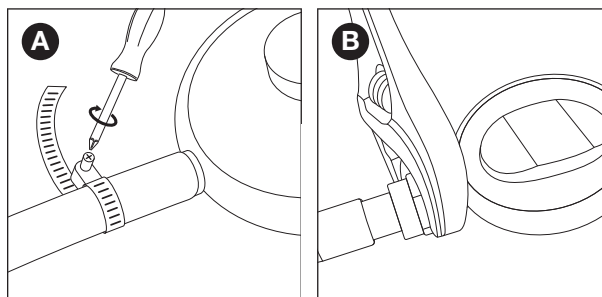
- 2 Skruva gasslangen på kopplingen (C) och dra åt den med två skruvnycklar. Håll kopplingen med en 22 mm skruvnyckel medan du vider slangen med en justerbar skiftnyckel (D).



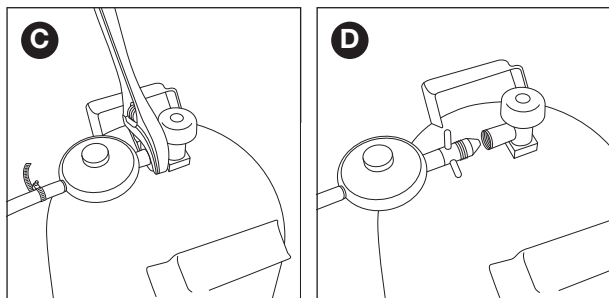
6.4 Anslutning av slangen och cylindern till regulatorn

Beroende på den typ av tryckregulator som du kan använda behöver du en kryssmejsel och/eller en justerbar skiftnyckel.

- 1 Anslut slangen till tryckregulatorn. Gör ett av följande:
 - Om slangen har en klämring ska du skjuta slangen över regulatorn och sedan dra åt klämringen med en kryssmejsel (A).
 - Om slangen har en mutter ska du skruva i slangen på regulatorn och dra åt muttern med en justerbar skiftnyckel (B).



- 2 Anslut tryckregulatorn till gascylindern. Gör ett av följande:
- Om regulatorn har en mutter ska du skruva medsols på cylindern och dra åt muttern med en justerbar skiftnyckel (C).
 - Om regulatorn har en skruvgänga ska du skruva regulatorn motsols på cylindern (D).



6.5 Byte av cylinder

- 1 Stäng av gastillförseln och ställ in alla kontrollvred på OFF.
- 2 Koppla ur den tomma cylindern och anslut den fulla cylindern.
- 3 Se efter om det finns läckor i cylindern, slangen och alla gasanslutningar. Läs "7 Leta efter gasläckor".


7 LETA EFTER GASLÄCKOR

7.1 Varför ska man leta efter gasläckor?

Propan och butan är tyngre än luft. Därför försvinner de inte iväg när de läcker från produkten. Särskilt på vindstilla dagar kan en läcka orsaka att det samlas gas inuti och runtomkring produkten. Den ansamlade gasen kan sedan antändas och explodera.

7.2 När ska man leta efter gasläckor?

- Före första användningstillfället eller efter en längre period då den inte har använts.

 Kontrollera också om det finns gasläckor om din produkt har satts ihop av din återförsäljare.

- Varje gång du byter ut en gaskomponent.
- Minst en gång om året, helst i början på säsongen.

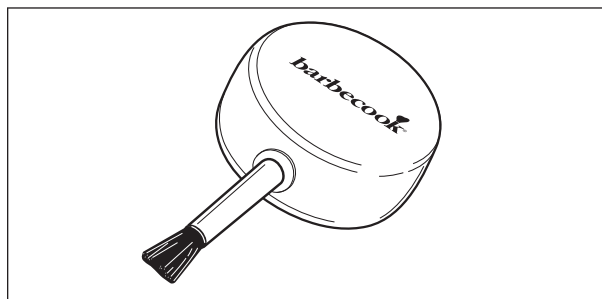
7.3 Säkerhetsinstruktioner

- Sätt produkten utomhus i ett välventilerat område. Se till att det inte finns några lågor eller värmekällor i närheten av produkten.
- Använd aldrig en tändare eller tändsticka för att leta efter gasläckor.
- Rök inte och tänd inte brännarna när du letar efter gasläckor.

7.4 Vilka material behöver jag?

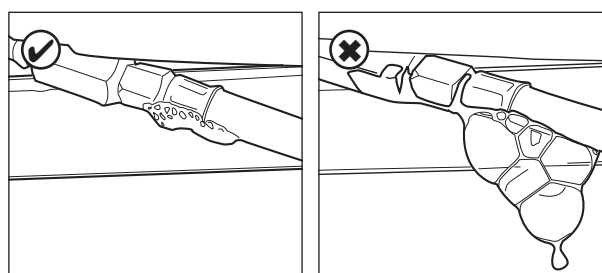
För att se efter gasläckor behöver du följande:

- En testvätska. Du kan använda ett fabriksstillverkat läckagesprej eller en blandning av vatten (50 %) och diskmedel (50 %).
- Verktöget för läckagetestet ingick i din produkt. Du kan använda det för att suga upp testvätskan och applicera den på den gaskomponent eller anslutning som du vill undersöka.



7.5 Leta efter gasläckor

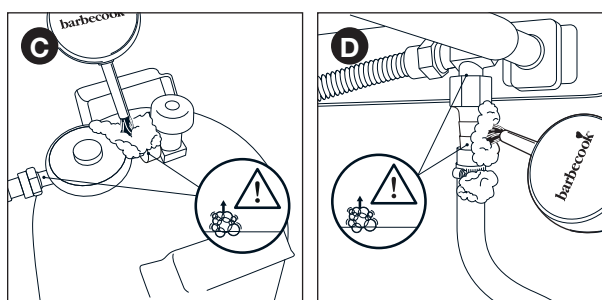
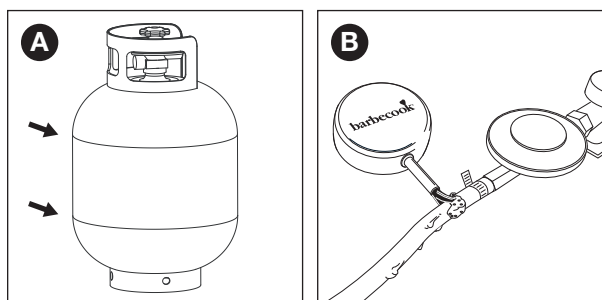
Kontrollera om det finns gasläckor genom att applicera testvätska på alla gaskomponenter och -anslutningar. Om bubblorna på en särskild komponent eller anslutning växer så finns det en gasläcka:




För att se efter gasläckor gör du så här:

- 1 Sätt produkten utomhus.
- 2 Ta med ditt verktyg för läckagetest samt testvätska (läckagesprej eller vatten/tvålblandat vatten).
- 3 Öppna locket och ställ in alla kontrollvred på OFF.
- 4 Öppna gastillförseln litegrann. Vrid endast gasoltubens ventil en gång.
- 5 Sug upp testvätska med verktyget för läckagetest och applicera den på ett område som du vill undersöka. Du måste kontrollera:

- De sammansvetsade fogarna på gascylindern (A)
- Slangen (B)
- Anslutningarna mellan cylindern och tryckregulatorn samt mellan tryckregulatorn och slangen (C)
- Anslutningen mellan slangen och produkten (D)




 Din tryckregulator och koppling ser eventuellt annorlunda ut än dem på bilderna.

- 6 Gör ett av följande:
- Om du upptäcker en läcka fortsätter du enligt beskrivningen under "I händelse av gasläcka".
 - Om det inte finns några läckor stänger du gastillförseln, sköljer alla komponenter noggrant med vatten och torkar av dem noggrant.

7.6 I händelse av gasläcka

- 1 Stäng av gastillförseln och gör något av följande steg:
 - Om du har upptäckt en läcka i en av anslutningarna ska du dra åt den anslutningen.
 - Om du har upptäckt en läcka i cylindern eller slangen ska du byta ut cylindern eller slangen.
- 2 Kontrollera på nytt anslutningen eller komponenten där du upptäckte läckan.
- 3 Om läckan inte laga ska du kontakta en återförsäljare på Barbecue. Använd inte produkten tills läckan har lagats.

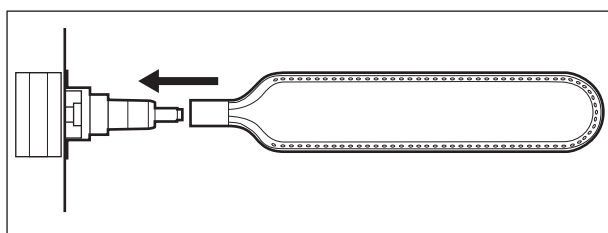
 En lista över närliggande Barbecue-återförsäljare finns på www.barbecue.com.


8 FÖRBEREDA GRILLEN FÖR ANVÄNDNING

8.1 Före varje användning

Varje gång du använder produkten ska du se till att:

- Produkten står på en lämplig plats. Läs "3.3 Välja en lämplig plats".
- Gasslangen inte släpar på marken och att den inte kommer i kontakt med en varm yta eller med droppande fett.
- Skålen är ren. Vi rekommenderar att du sätter ett nytt Leaf® i skålen före varje användningstillfälle. Läs "11.2 Rengöra skålen".
- Brännarna och venturirören inte har täppts igen av insektsbon eller spindelnät. Läs "11.3 Rengöring av brännarna och venturirören".
- Produkten är hopmonterad på rätt sätt. Var särskilt uppmärksam på:
 - Brännarhöljerna. Varje hölje måste placeras ovanför rätt brännare. Läs "4.2 Brännarhöljen".
 - Brännarnas venturirör. De måste placeras över gasventilernas öppningar.




 Om du verkligen vill vara säker på att du har en bra gasanslutning så kan du undersöka din produkt efter gasläckor före varje användningstillfälle. Läs "7 Leta efter gasläckor".

8.2 Före första användningstillfället (på länge)

Om du använder produkten för första gången eller för första gången på en längre period då den inte har använts, måste du utföra några extra kontroller:

- Se till att du har läst, förstått och kontrollerat alla anvisningar i den här bruksanvisningen (endast före första användningstillfället).
- Kontrollera om produkten har gasläckor. Läs "7 Leta efter gasläckor".

 Kontrollera också om det finns gasläckor om din produkt har satts ihop av din återförsäljare.


- Rengör brännarna och venturirören (endast före första användningstillfälle på länge). Läs "11.3 Rengöring av brännarna och venturirören".
- Bränn in produkten innan du lägger någon mat på den (endast före första användningstillfället). Läs "8.3 Genombränning i produkten".

8.3 Genombränning i produkten

Genom att bränna igenom produkten innan du använder den kan du få bort kvarliggande tillverkningsfetter från produkten. Gör så här:

- 1 Tänd brännarna och huvudbrännarna och ställ in deras kontrollvred på HIGH. Läs "9.2 Tända huvudbrännarna".
- 2 Stäng locket och låt produkten brännas igenom i cirka 15 minuter. Lägg ingen mat på grillen än.
- 3 Efter 15 minuter öppnar du locket och låter produkten brinna i ytterligare fem minuter (med kontrollvreden fortfarande inställda på HIGH).
- 4 Efter fem minuter kan produkten användas. Nu kan du lägga mat på grillen.

9 TÄNDA BRÄNNARNA

 För att tända brännarna med den elektriska tändaren måste du sätta i ett AA-batteri i tändaren. Batteriet ingår inte med produkten. Tändarens batterifack sitter inuti i din produkts hölje.


9.1 Säkerhetsinstruktioner

- Innan du tänder produkten ska du utföra alla kontrollpunkter som anges under "8 Förbereda grillen för användning".
- Se till att locket alltid är öppet när du tänder en brännare.
- Stå aldrig direkt framåtlutad över en brännare när du tänder den.

9.2 Tända huvudbrännarna

9.2.1 ANVÄNDNING AV TÄNDAREN

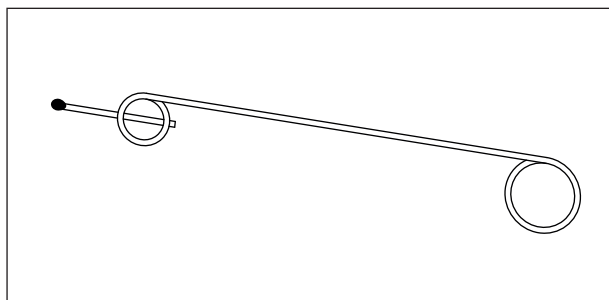
- 1 Öppna locket och ställ in huvudbrännarnas kontrollvred på OFF.
- 2 Om ingen annan brännare ännu är tänd så öppnar du gastillförseln och väntar i tio sekunder. Då kan gasen stabiliseras.
- 3 Tryck in kontrollvredet på en brännare, ställ in det på HIGH och håll in det en stund. Den inbyggda tändaren kommer att skapa gnistor som kommer att tända brännaren.

 Tänd alltid en huvudbrännare till att börja med. Tänd aldrig alla huvudbrännare på samma gång.

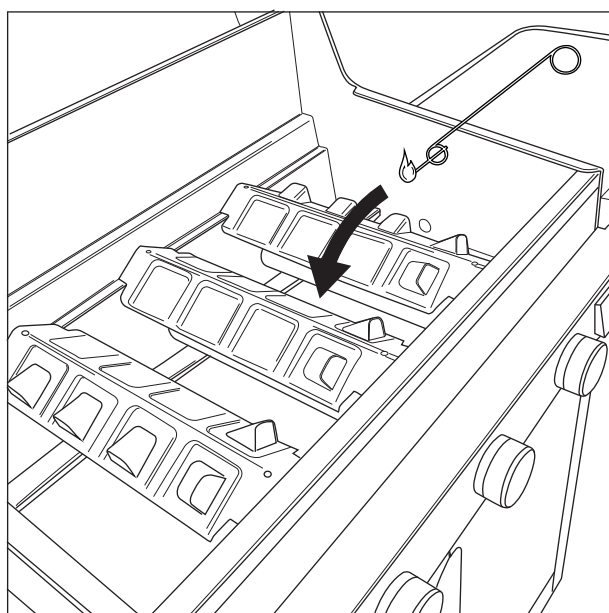
- 4 Om brännaren inte tänds efter tre försök bör du ställa in dess kontrollvred på OFF, stänga av gastillförseln och vänta i fem minuter. Då kan eventuellt ansamlad gas försvinna.
- 5 Försök på nytt att tända brännaren. Om den fortfarande inte tänds bör du försöka tända den med en tändsticka eller läsa "14 Felsökning" för att fastställa orsaken bakom problemet.

9.2.2 ANVÄNDNING AV TÄNDSTICKA


- 1 Placera en tändsticka i tändstickshållaren.




- 2 Öppna locket och ställ in huvudbrännarnas kontrollvred på OFF.
- 3 Om ingen annan brännare ännu är tänd så öppnar du gastillförseln och väntar i tio sekunder. Då kan gasen stabiliseras.
- 4 Tänd tändstickan och håll den ungefär 13 mm från brännaren.



- 5 Ställ in en brännares kontrollvred på HIGH.

-  Tänd alltid en huvudbrännare till att börja med. Tänd aldrig alla huvudbrännare på samma gång.
- 6 Om brännaren inte tänds inom fem sekunder bör du ställa in dess kontrollvred på OFF, stänga av gastillförseln och vänta i fem minuter. Då kan eventuellt ansamlad gas försvinna.
 - 7 Försök på nytt att tända brännaren. Om den fortfarande inte tänds bör du läsa "14 Felsökning" för att fastställa orsaken bakom problemet.

9.3 Tända sidobrännaren

-  Sidobrännaren kan endast bära behållare som väger högst 9 kg och som har en diameter på högst 220 mm.

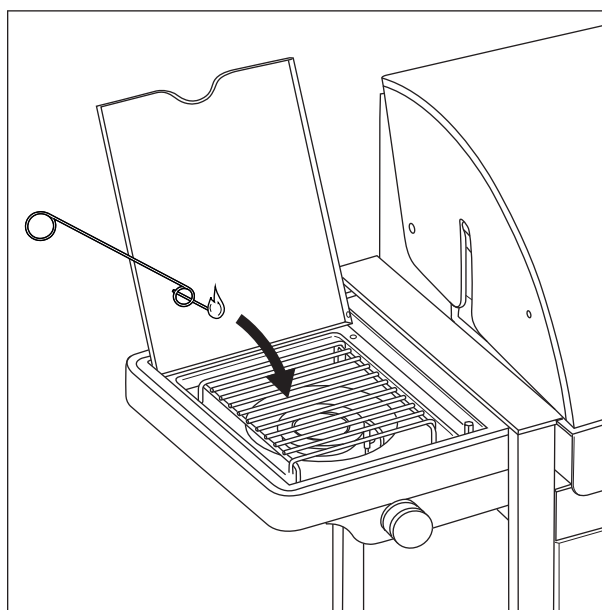
9.3.1 ANVÄNDNING AV TÄNDAREN

- 1 Öppna locket och ställ in sidobrännarens kontrollvred på OFF.
- 2 Om ingen annan brännare ännu är tänd så öppnar du gastillförseln och väntar i tio sekunder. Då kan gasen stabiliseras.
- 3 Tryck in kontrollvredet på sidobrännaren, ställ in det på HIGH och håll in det en stund. Den inbyggda tändaren kommer att skapa gnistor som kommer att tända sidobrännaren.

- 4 Om brännaren inte tänds efter tre försök bör du ställa in dess kontrollvred på OFF, stänga av gastillförseln och vänta i fem minuter. Då kan eventuellt ansamlad gas försvinna.
- 5 Försök på nytt att tända sidobrännaren. Om den fortfarande inte tänds bör du försöka tända den med en tändsticka eller läsa "14 Felsökning" för att fastställa orsaken bakom problemet.

9.3.2 ANVÄNDNING AV TÄNDSTICKA

- 1 Placera en tändsticka i tändstickshållaren.
- 2 Öppna locket och ställ in sidobrännarens kontrollvred på OFF.
- 3 Om ingen annan brännare ännu är tänd så öppnar du gastillförseln och väntar i tio sekunder. Då kan gasen stabiliseras.
- 4 Tänd tändstickan och håll den ungefär 13 mm från sidobrännaren.



- 5 Ställ in sidobrännarens kontrollvred på HIGH.
- 6 Om sidobrännaren inte tänds inom fem sekunder bör du ställa in dess kontrollvred på OFF, stänga av gastillförseln och vänta i fem minuter. Då kan eventuellt ansamlad gas försvinna.
- 7 Försök på nytt att tända sidobrännaren. Om den fortfarande inte tänds bör du läsa "14 Felsökning" för att fastställa orsaken bakom problemet.

9.4 Avstängning av brännarna

Om du inte längre använder brännarna måste du stänga av dem. Gör så här:

- 1 Stäng av gastillförseln.
- 2 Ställ in brännarnas kontrollvred på OFF.



Genom att stänga av gastillförseln först måste du se till att det inte finns någon gas kvar i produkten.

9.5 Tända brännarna igen

Om en brännare slocknar när den används ska du göra följande:

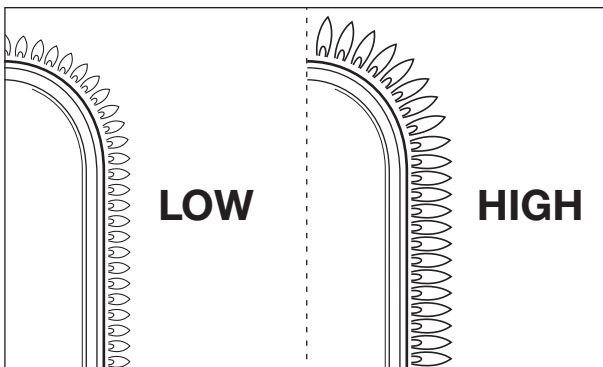
- 1 Öppna locket och stäng av gastillförseln.
- 2 Ställ in alla kontrollvred på OFF och vänta i fem minuter. Då kan eventuellt ansamlad gas försvinna.
- 3 Tänd brännaren/brännarna på nytt.

9.6 Bevakning av lågor

Varje gång du tänder en brännare måste du kontrollera lågorna. En perfekt låga är nästan helt blå, med lite gult högst upp. Sporadiska gula lågor är normalt och inte farligt.

Om det är något fel med lågorna bör du utföra ett av följande steg för att lösa problemet.

Om lågorna är...	Gör följande...
Låg och helt gul	<ol style="list-style-type: none">1 Stäng omedelbart gastillförseln och ställ in alla kontrollvred på OFF.2 Läs "14 Felsökning" för att fastställa orsaken bakom problemet. Förmodligen är venturirören tilltäppta.
Högre än skålen	<ol style="list-style-type: none">1 Stäng omedelbart gastillförseln och ställ in alla kontrollvred på OFF.2 Vänta i fem minuter och låt ansamlad gas försvinna.3 Tänd brännaren/brännarna på nytt.4 Om problemet kvarstår bör du läsa "14 Felsökning" för att fastställa orsaken bakom problemet.



10 ANVÄNDBARA TIPS OCH ANVÄNDNINGSSÄTT

10.1 Förvärmning av produkten.

Genom att förvärma din produkt kan du se till att grillen är tillräckligt varm när du ska lägga mat på den. Gör så här:

- 1 Tänd brännaren/brännarna och ställ in kontrollvredet/kontrollvreden på HIGH.
- 2 Stäng locket och låt produkten stå i cirka tio minuter.
- 3 Efter tio minuter ska du öppna locket och lägga mat på grillen.
- 4 Om du behöver lägre värme ställer du in kontrollvredet/kontrollvreden på ett lägre läge.

10.2 Förhindra att mat fastnar


För att förhindra att din mat fastnar på grillen:

- Olja in maten lätt med en borste innan den läggs på grillen. Du kan också olja in själva grillen.
- Förvärm produkten. Ju varmare grillen är när du lägger mat på den, desto mindre kommer maten att fastna.
- Vänd inte på maten för snabbt. Låt den bli aningen varm först.

10.3 Direkt och indirekt grillning

Beroende på den typ av mat som du tillagar och hur du vill tillaga den, så kan du grilla den direkt eller indirekt.


Metod	Beskrivning	Användning
Direkt	Lägg maten direkt ovanför en tänd brännare, ställ in brännaren på ett högt läge och låt locket vara öppet.	För att bryna kött och grönsaker
Indirekt	Lägg maten bredvid en tänd brännare, ställ in brännaren på ett medelhögt/lågt läge och låt locket vara stängt.	För att tillaga brynt kött

 Vid grillning under stängt lock bör du alltid hålla ett öga på lockets termometer och se till att produkten inte blir för varm. Läs "10.5 Bevakning av temperaturen".

10.4 Grillning med stängt lock

Att stänga locket när du grillar har några viktiga fördelar:


- Grillens temperatur är högre och håller sig mer beständig.
- Du kortar ner matens tillagningstid och håller maten saftigare.
- Du minskar höga lågor och sparar gas.

 Vid grillning under stängt lock bör du alltid hålla ett öga på lockets termometer och se till att produkten inte blir för varm. Läs "10.5 Bevakning av temperaturen".

10.5 Bevakning av temperaturen

Din produkt har starka brännare, och därför blir den snabbt varm. Du kan hålla en jämn temperatur. När du däremot grillar med locket stängt måste du se till att produkten inte blir för varm. Titta då och då på lockets termometer och ha följande riktlinjer i åtanke:

- En normal tillagningstemperatur är ungefär 210 °C. Vid högre temperaturer kan droppande och ansamlad fett antändas.
- Temperaturen bör aldrig vara högre än 300 °C i längre än fem minuter. Det kan skada produkten och förstöra produktens form.

 Om produkten blir för varm ska du kyla ner den genom att öppna locket och ställa in brännarna på ett lägre läge.

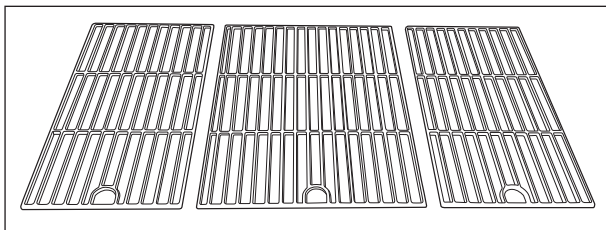
10.6 Optimal användning av värmen

Det är varmare i mitten av skålen än ute på sidorna. För att du ska kunna använda den varmaste delen så bra som möjligt så har produkten grillgaller i olika storlekar. Följande ingår:

- Ett stort grillgaller som placeras i mitten av skålen.
- Två mindre grillgaller som placeras på skålens sidor.

Om du placerar grillgallren på rätt sätt i skålen och tänder alla brännare, så värms hela det mittersta grillgallret upp till maximal


värme. På sätt utökar du skålens varmaste del, och du kan på ett optimalt sätt använda din produkts grillgryta.



10.7 Ta vara på värmeområdena

När alla brännare är tända så fördelar brännarhöljerna värmen så jämnt som möjligt över grillen. Trots den jämna värmen är vissa områden ändå varmare än andra. Du kan ta vara på de värmeområdena för att grilla din mat på bästa möjliga sätt:

Område	Varmt?	Använd för att...
Fram	Varmt	Grilla känslig mat (t. ex. räkor och fisk)
Mitten	Varmare	Tillaga mat som behöver en del tid att tillagas (t. ex. korv och hela kycklingar)
Bak	Varmast	Bryn kött och grönsaker

 Du kan även skapa värmeområden genom att variera brännarnas styrka. Du kan till exempel ställa in en brännare till ett lägre läge och använda området ovanför den brännaren för känslig mat, eller mat som behöver en del tid att tillagas.

10.8 Undvik höga lågor

Vid grillning är det normalt med en del höga lågor. För många höga lågor ökar dock temperaturen i produkten och kan antända fett som ansamlats. För att undvika höga lågor:


- Se till att skålen är ren när du börjar grilla. Vi rekommenderar att du sätter ett nytt Leaf® i skålen före varje användningstillfälle. Läs "11.2 Rengöra skålen".
- Kontrollera regelbundet att fettavrinningens hål inte har täppts till och att brickan eller koppen för droppande fett inte är full ännu.
- När du grillar fetthaltig mat ska du skära bort överflödigt fett, stänga locket och ställa in brännarna på ett mellanläge eller lågt läge.

11 UNDERHÅLLA PRODUKTEN

11.1 Rengöra grillen


Vi rekommenderar att grillen rengörs efter varje användning och att Barbecue cleaner används. Gör så här:

- 1 Spreja skummet på grillen och låt det verka en stund.
Skummet kommer att missfärgas allteftersom det blöter upp smutsen och fett.
- 2 Torka bort skummet med en mjuk svamp och vatten samt skölj grillen noggrant.
- 3 Torka grillen ordentligt och förvara den på en torr plats. Det förhindrar att det bildas rost.

 Du kan också rengöra grillen med mildt rengöringsmedel eller med natriumbikarbonat. Använd aldrig ugnsgörare på grillen.

11.2 Rengöra skålen

Vi rekommenderar rengöring av skålen efter varje användning. Det enklaste sättet att göra det är att sätta ett Leaf® i skålen innan du börjar grilla. Leaf® är folie som passar skålen perfekt och som fångar upp alla rester och allt fett. När produkten har svalnat tar du bort Leaf®, och då är skålen ren.

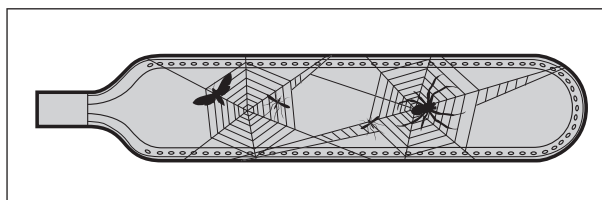
 Registrera din produkt på www.barbecue.com för att ta reda på vilken typ av Leaf® du behöver.


11.3 Rengöring av brännarna och venturirören

11.3.1 VARFÖR SKA MAN RENGÖRA BRÄNNARNA OCH VENTURIRÖREN?

Spindlar och insekter kan bygga nät och bon inuti brännarna och venturirören. Det kan hämma gastillförseln till brännarna. Resultatet blir följande:

- Det går inte att tända brännarna. Om du lyckas tända dem ändå kommer de bara ge rökiga och gula lågor.
- Gasen kan börja brinna utanför venturirören vid kontrollvreden. Sådana lågor är okontrollerade flammor och kan leda till allvarliga skador och skador på material.



 Skador som orsakas av tilltäppta brännare och venturirör betraktas som otillräckligt underhåll och omfattas inte av garantin.

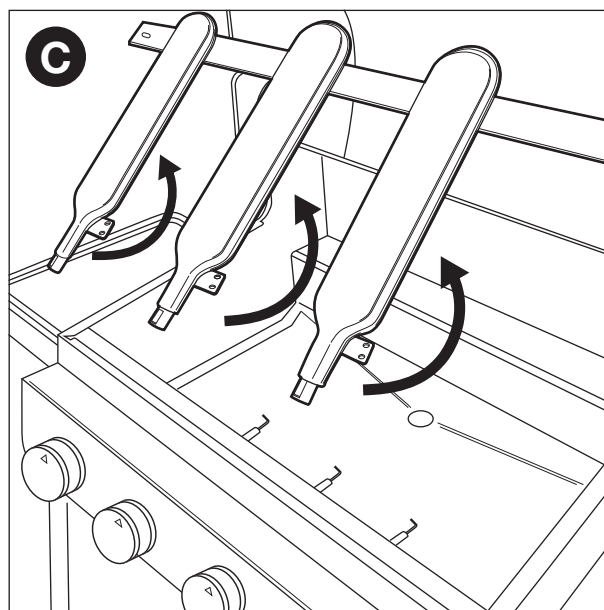
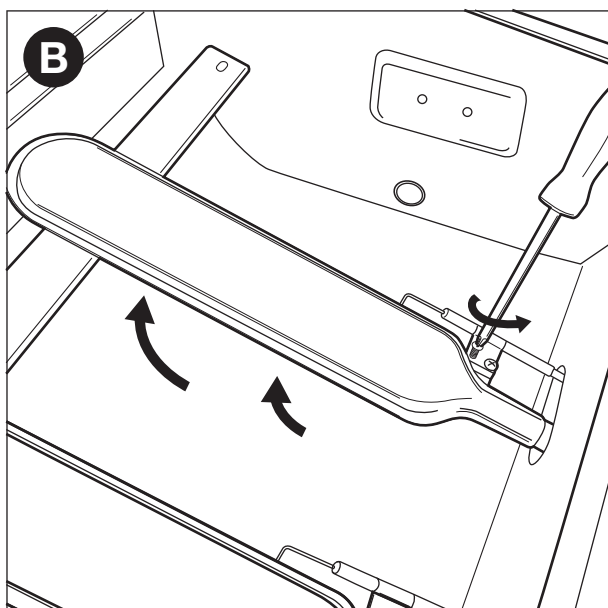
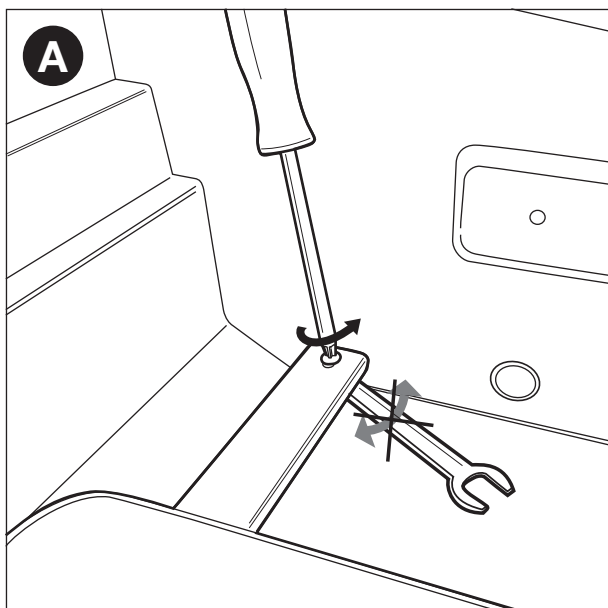
11.3.2 NÄR SKA MAN RENGÖRA BRÄNNARNA OCH VENTURIRÖREN?

Du måste rengöra brännarna och venturirören på din produkt:

- Före första användningstillfället efter en längre period då den inte har använts.
- Minst två gånger om året, där en av gångerna är i början på säsongen.

11.3.3 RENGÖRING AV BRÄNNARNA OCH VENTURIRÖREN

- 1 Ta bort brännarna från produkten så som bilderna visar. Om du upptäcker att en brännare är skadad måste du byta ut den.





- 2 Rengör brännarna och venturirören med en liten borste eller en hemgjord piprensare (t. ex. ett uträtat gem eller piprensare)
- 3 Sätt tillbaka brännarna. Se till att placera venturirören över gasventilernas öppningar.

11.4 Underhåll av emaljdelar, delar av rostfritt stål och samt sprejade delar

Produkten består av emaljdelar, delar av rostfritt stål samt sprejade delar. De olika materialen underhålls på olika sätt:

Material	Hur detta material underhålls
Emalj	<ul style="list-style-type: none">• Använd inte vassa föremål och slå inte mot en hård yta.• Undvik kontakt med kalla vätskor när den fortfarande är varm.• Du kan använda metallsvampar eller rengöringsmedel med poler-/slipeffekt.
Rostfritt stål	<ul style="list-style-type: none">• Använd inte rengöringsmedel som är aggressiva, har poler-/slipeffekt eller är avsedda för metaller.• Använd milda rengöringsmedel och låt dem verka på stålet.• Använd en mjuk svamp eller trasa.• Skölj noga efter rengöring och torka ordentligt innan förvaring.
Sprejad	<ul style="list-style-type: none">• Använd inga vassa föremål. Använd svaga rengöringsmedel och en mjuk svamp eller duk.• Skölj noga efter rengöring och torka ordentligt innan förvaring.

 För att förhindra att rost uppkommer på rostfritt stål, undvik kontakt med klor, salt och järn. Vi rekommenderar att produkten inte används i närheten av kusten, i närheten av järnvägsspår eller nära swimmingpooler.

 Skador som orsakas av att dessa instruktionerna inte följts betraktas som otillräckligt underhåll och omfattas inte av garantin.

Under sprängskissen för din produkt (bruksanvisningens andra del) hittar du en lista över alla delar som produkten är sammansatt av. Denna lista innehåller en symbol som specificerar materialet för varje del så att du kan använda den för att kontrollera hur du behöver underhålla en specifik del. Listan över delar använder följande symboler:

Symbol	Material
●	Emalj
■	Rostfritt stål
★	Sprejad

11.5 Förvaring av produkten

Om du inte använder din produkt under en längre period ska du förvara den på en torr plats. Innan du kan ställa undan produkten:

- Koppla ur gascylindern Förvara aldrig din produkt inomhus (inte ens i ett garage eller skjul) så länge den är ansluten till gascylindern.
- Rengör brännarna och grillgallren, smörj dem med olja och vira in dem i papper.
- Om din produkt har en spettbrännare ska du ta bort spettbrännarmotorn och förfara den på en torr plats.
- Täck över din produkt med ett Barbecue-överdrag. Registrera din produkt på www.barbecue.com för att ta reda på vilket överdrag du behöver.

11.6 Förvaring av gascylindrar

De här anvisningarna gäller både tomma och fulla gascylindrar.

- Förvara alltid gascylindrar utomhus på en välventilerad plats. Se till att de inte utsätts för stark hetta eller direkt solljus.
- Förvara aldrig en gascylinder i ett område som kan bli väldigt varmt (t. ex. i en bil eller på en båt).
- Förvara aldrig din gascylinder eller reservcylindrar i höljet på din produkt.
- Förvara aldrig din reservgascylinder nära en gasprodukt som används.
- Förvara alltid gascylindrar utom barns räckhåll.
- Förvara och transportera alltid gascylindrar i upprätt position.

11.7 Beställa reservdelar

Delar som utsätts för direkt eld eller intensiv värme måste bytas ut då och då. För att beställa en reservdel:

- 1 Slå upp referensnumret för den del du behöver. Du finner en lista över alla referensnummer under sprängskisserna i den andra delen av denna bruksanvisning och på www.barbecue.com.



Om du registrerat din produkt online kommer du automatiskt att vägledas till rätt lista.

- 2 Beställ din reservdel hos din försäljningsbutik. Du kan beställa delar både inom och utanför garantin.

12 GARANTI

12.1 Omfattas

Din produkt har två års garanti från och med inköpsdatum. Garantin omfattar alla tillverkningsfel, förutsatt att:

- Du använde, monterade och underhöll din produkt i enlighet med instruktionerna i denna bruksanvisning. Skador som orsakats av felaktig användning, oriktig montering eller otillräckligt underhåll betraktas inte som tillverkningsfel.
- Du kan visa upp kvitto och det unika serienumret för din produkt. Detta serienummer börjar med ett G, vilket åtföljs av 15 siffror. Du finner det:
 - På denna bruksanvisning och på startpaketet som innehöll bruksanvisningen.
 - På produktens förpackning.
 - På typbeteckningen på insidan av dörren till höljet (Quisson, Siesta 4 och Siesta 6) eller på insidan av nedre frontpanelen (Spring, Siesta 2 och Siesta 3).
- Barbecue-kvalitetsavdelningen bekräftar att delarna är defekta och befunnits vara så vid normal användning, riktig montering och tillräckligt underhåll.

Om inte ovanstående krav motsvaras kan du inte begära någon form av ersättning. I alla fall är garantin begränsad till att omfatta reparation eller utbyte av defekt(a) del(ar).

12.2 Omfattas inte

Följande skador och defekter omfattas inte av garantin:

- Normalt slitage (rost, förvridning, missfärgning...) av delar som direkt utsätts för eld eller stark värme. Det är normalt att byta ut dessa delar då och då.
- Synliga ojämnheter som beror på tillverkningsprocessen. Dessa ojämnheter är inte att betrakta som tillverkningsfel.
- Alla skador orsakade av otillräckligt underhåll, felaktig förvaring, oriktig montering eller att förmonterade delar har modifierats.
- Alla skador orsakade av felaktig användning och missbruk av produkten (inte använd i enlighet med instruktionerna i denna bruksanvisning, användning i kommersiella syften...).
- Alla följdskador vars orsak är att produkten använts oaktsamt eller för andra syften än de avsedda.
- Rost och missfärgning orsakat av yttre påverkan, användning av aggressiva rengöringsmedel, klorexponering... Dessa skador är inte att betrakta som tillverkningsfel.

13 TEKNISKA SPECIFIKATIONER

13.1 Typbeteckning

Typbeteckningen visar alla tekniska specifikationer för din produkt. Du finner det:

- I den här bruksanvisningens andra del.
- Inuti höljets lucka.

13.2 Injektordiametrar

- Huvudbrännare: 0,991 mm
- Sidobrännare: 0,88 mm

14 FELSÖKNING

Problem	Trolig orsak	Lösning
För svag värme	<ul style="list-style-type: none"> Gastillförseln är inte öppen Venturirören har inte placerats över gasventilernas öppningar Brännarens öppningar är tilltäppta Gascylindern är (nästan) tom Tryckregulatorn är inte ansluten korrekt till cylindern och/eller slangen 	<ul style="list-style-type: none"> Öppna gastillförseln Placera venturirören över gasventilernas öppningar Rengör brännarens öppningar eller byt ut brännarna Byt ut gascylindern Anslut på nytt tryckregulatorn till cylindern och/eller slangen
För varmt och/eller höga lågor	<ul style="list-style-type: none"> Maten är för fetthaltig Fettavrinningens hål är tilltäppt, fett i skålen och/eller fett på brännarna Brännarhöljerna har inte monterats korrekt För hög temperatur 	<ul style="list-style-type: none"> Skär bort överflödigt fett eller ställ in brännarna på ett lågt läge Rengör fettavrinningens hål, skål och brännarna Montera brännarhöljerna korrekt Ställ in brännarna på en lägre temperatur och/eller grillmat indirekt
Ojämn värme över grilllytan	<p>Vissa värmeskillnader är normala. Läs "11.6 Optimal användning av värmen" och "11.7 Ta vara på värmeområdena". Trolig(a) orsak(er) för stora värmeskillnader:</p> <ul style="list-style-type: none"> Brännarhöljerna har inte monterats korrekt Produkten har inte förvärmats 	<ul style="list-style-type: none"> Montera brännarhöljerna korrekt Förvärm produkten
Gula lågor	<ul style="list-style-type: none"> Brännarna eller venturirören har täppts till Salt på brännarna Produkten har anslutits till butangas 	<ul style="list-style-type: none"> Rengör brännarna och venturirören Rengör brännarna Anslut produkten till propan och använd en passande tryckregulator
Ofullständig låga	Tilltäppt, läckande eller rostig brännare	Rengör eller byt ut brännaren
Okontrollerade flammor (lågor utanför venturirören/vid kontrollvreden)	Brännarna eller venturirören har täppts till	<ol style="list-style-type: none"> Ställ in gastillförseln på OFF. Låt produkten svalna. Rengör brännarna och venturirören.
Lågor som är högre än skålens kant	<ul style="list-style-type: none"> Starka vindar Gascylindern är (nästan) tom Fett i skålen och/eller brännarna 	<ul style="list-style-type: none"> Sätt produkten med baksidan mot vinden Byt ut gascylindern Rengör skålen, rengör brännarna och byt ut Leaf®
Fräsande ljud från tryckregulatorn	<ul style="list-style-type: none"> Varmt väder Ny (full) gascylindern 	Inte någon fara eller brist. Bör automatiskt sluta efter en stund.
Visselljud från brännarna när de ställs in på LOW	Smuts i eller på gasinjektor, venturirör och/eller brännare	Rengör gasinjektor, venturirör och brännare
Omöjligt att tända brännare (med antingen tändare eller tändsticka)	<ul style="list-style-type: none"> Brännaren eller venturiröret har täppts till Ingen gastillförsel 	<ul style="list-style-type: none"> Rengör brännare och venturirör Öppna gastillförseln och tryck på säkerhetsvredet på tryckregulatorn (finns inte på alla regulatorer)
Omöjligt att tända brännare med tändare	<ul style="list-style-type: none"> Inget batteri monterat eller felaktigt monterat batteri Tändarkablarna har inte monterats korrekt Skadad elektrod Bristfällig jordning Bristfällig tändare 	<ul style="list-style-type: none"> Montera batteriet (igen), med terminalerna på rätt plats Kontrollera och sätt på nytt ihop alla tändaranslutningar Byt ut elektroderna Kontrollera och sätt på nytt ihop elektroderna, brännarna och tändaren Byt ut tändare

Problem	Trolig orsak	Lösning
Varken ljud eller gnistor när tändaren trycks in	<ul style="list-style-type: none"> • Inget batteri monterat eller felaktigt monterat batteri • Tomt batteri • Tändarknappen har inte satts ihop korrekt • Bristfällig gnistgenerator 	<ul style="list-style-type: none"> • Montera batteriet (igen), med terminalerna på rätt plats • Byt batteri • Sätt ihop tändarknappen igen • Byt ut gnistgeneratören
Endast ljud (inga gnistor) när tändaren trycks in	<ul style="list-style-type: none"> • Bristfällig jordning • Brännare eller elektrod är för långt ifrån varandra 	<ul style="list-style-type: none"> • Återanslut gnistgeneratören och elektroderna • Böj försiktigt elektroden för att föra den närmare brännaren
Gnistor som inte kommer från brännarna	Bristfälliga kablar	Byt ut kablarna
Det förekommer gnistor, men inte på alla elektroder och/eller inte tillräckligt starka	<ul style="list-style-type: none"> • Bristfällig jordning • Låg batteristyrka • Blöta eller trasiga elektroder 	<ul style="list-style-type: none"> • Återanslut gnistgeneratören och elektroderna • Byt batteri • Torka elektroderna med pappershanddukar eller byt ut elektroderna

barbecook®

STELLA 3221

223.9422.000



**GO TO WWW.BARBECOOK.COM,
REGISTER YOUR BARBECOOK AND
YOUR BARBECOOK EXPERIENCE
WILL BE FURTHER IMPROVED!**

THIS IS YOUR UNIQUE SERIAL N°

DA - BRUGERVEJLEDNING

1	Registrering af din enhed	138	10	Nyttige tips og tricks	144
2	Om denne vejledning	138		• Forvarmning af enheden	144
3	Vigtige sikkerhedsanvisninger	138		• Undgå, at mad sidder fast	144
	• Læs og følg vejledningen	138		• Direkte og indirekte grilning	144
	• Vær forsigtig med gas	138		• Grilning med lukket låg	144
	• Vælg en passende placering	138		• Hold øje med temperaturen	144
	• Brug almindelig sund fornuft	138		• Optimal udnyttelse af varmen	144
4	Tilbagevendende koncepter	138		• Udnyttelse af varmezonerne	145
	• Venturirør	138		• Undgå opblusninger	145
	• Brænderlåg	139	11	Vedligeholdelse af enheden	145
	• Emalje	139		• Rengøring af risten	145
	• Opblusninger	139		• Rengøring af skålen	145
5	Samling af enheden	139		• Rengøring af brændere og venturirør	145
	• Sikkerhedsanvisninger	139		• Vedligeholdelse af emaljerede dele, dele af rustfrit stål samt og pulverlakerede dele	146
	• Sådan samles enheden	139		• Opbevaring af enheden	147
6	Tilslutning af gas til enheden	139		• Opbevaring af gasflasker	147
	• Hvilken gasflaske, slange og regulator?	139		• Bestilling af reservedele	147
	• Sikkerhedsanvisninger	140	12	Garanti	147
	• Tilslutning af slangen til enheden	140		• Dækket	147
	• Tilslutning af slangen og gasflasken til regulatoren	140		• Ikke dækket	147
	• Udskiftning af gasflasken	141	13	Tekniske specifikationer	147
7	Efterse for gaslækager	141		• Typeetiket	147
	• Hvorfor skal der efterses for gaslækager?	141		• Injektordiameter	147
	• Hvornår skal der efterses for gaslækager?	141	14	Fejlfinding	148
	• Sikkerhedsanvisninger	141			
	• Hvilke materialer skal jeg bruge?	141			
	• For at efterse for gaslækager	141			
	• I tilfælde af en gaslækage	142			
8	Klargøring af enheden	142			
	• Før hver brug	142			
	• Før første brug (efter lang tid)	142			
	• Afbrænding af enheden	142			
9	Tænding af brænderne	142			
	• Sikkerhedsanvisninger	142			
	• Tænding af hovedbrænderne	143			
	• Tænding af sidebrænderen	143			
	• Slukning af brænderne	144			
	• Tænding af brænderne igen	144			
	• Kontrol af flammerne	144			

1 REGISTRERING AF DIN ENHED

Tak, fordi du har købt en Barbecue-enhed! Vi er sikre på, at du får mange gode grilloplevelser.

For at optimere din oplevelse kan du registrere din grill på www.barbecue.com. Det tager kun et par minutter og giver nogle store fordele:

- Du får adgang til vores personlige eftersalgsservice. Dette giver dig f.eks. mulighed for hurtigt at finde reservedele til din enhed eller nyde godt af en optimal garantiservice.
- Vi kan oplyse dig om spændende produktopdateringer og videresende dig til produktoplysninger og specifikationer, der er relevante for din enhed.



Se www.barbecue.com for at få flere oplysninger om registrering af din enhed.



Barbecue respekterer dit privatliv. Dine oplysninger bliver ikke solgt, distribueret eller delt med tredje parter.

2 OM DENNE VEJLEDNING

Denne vejledning består af to dele:

- Den første del er den, du læser lige nu. Den indeholder instruktioner til samling, brug og vedligeholdelse af din enhed.
- Den anden del starter på side 379. Den omfatter alle illustrationer (sprængtegninger, samletegninger, typeetiketter) for enheder, der er beskrevet i denne vejledning.

3 VIGTIGE SIKKERHEDSANVISNINGER

3.1 Læs og følg vejledningen

Læs vejledningen inden brug af enheden. Følg altid vejledningen omhyggeligt. Forkert samling eller brug af enheden kan forårsage brand og materiel beskadigelse.



Beskadigelser som følge af, at vejledningen ikke er blevet fulgt (forkert samling, misbrug, utilstrækkelig vedligeholdelse), dækkes ikke af garantien.

3.2 Vær forsigtig med gas

Det er helt sikkert at arbejde med gas, men det kræver nogle ekstra sikkerhedsforanstaltninger:

- Opbevar altid gasflasker udendørs på et område med god ventilation. Sørg for, at de ikke eksponeres for høj varme eller direkte sollys.
- Opbevar aldrig din gasflaske eller reservegasflaske i enhedens kabinet.
- Når gasflasken er i brug, skal du placere den i gasflaskevognen på siden af enheden.
- Opbevar aldrig din reservegasflaske i nærheden af et tændt gasapparat.
- Sluk altid for gasforsyningen på gasflasken efter brug,
- Ryg aldrig i nærheden af en gasenhed eller i nærheden af en gasflaske (fuld/tom)



Hvis du kan lugte gas, skal du øjeblikkeligt lukke for gasforsyningen, slukke alle flammer og åbne låget på enheden. Hvis lugten varer ved, skal du ringe til din gasleverandør eller brandvæsenet.

3.3 Vælg en passende placering

Brug kun enheden udendørs. Brug af grillen indendørs selv i en garage eller et skur kan føre til kulilteforgiftning.

Når du vælger en udendørs placering, skal du altid:

- Placer enheden mindst tre meter væk fra bygninger og på et åbent og godt ventileret sted.
- Sørg for, at der er en fri lufttilførsel til brænderne og lufthullerne i kabinettet på alle tidspunkter.
- Sørg for, at enheden ikke er under en overhængende struktur (en veranda, et halvtag...) eller under nedfalden løv.
- Placere enheden på et fast og stabilt underlag. Placer aldrig grillen i et køretøj i bevægelse (en båd, en trailer...)

3.4 Brug almindelig sund fornuft

Brug altid din sunde fornuft, når du bruger enheden:

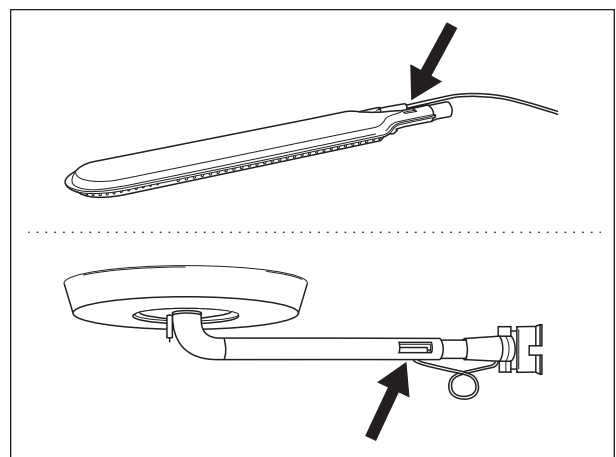
- Brug den kun udendørs.
- Flyt ikke enheden under brug.
- Lad ikke enheden være uden opsyn under brug, især hvis der er børn og dyr til stede.
- ADVARSEL! Nogle tilgængelige dele kan blive meget varme. Hold børn væk.
- Brug passende beskyttelse ved håndtering af varme dele (låg, rist...).
- Enheden skal holdes væk fra brændbare materialer under brug.
- Opbevar brændbare materialer, væsker og opløselige genstande væk fra en enhed i brug.
- Brug ikke træ, lavasten eller keramiske briketter på en gasenhed.
- Brug ikke enheden, hvis du har indtaget alkohol eller taget stoffer.
- Modifierer ikke enheden.

4 TILBAGEVENDENDE KONCEPTER

Denne del omfatter definitioner af nogle mindre kendte koncepter. Disse koncepter bruges i flere emner i denne vejledning.

4.1 Venturirør

Venturirørene er små rør, der er fastgjort til indgangen på brænderne. Der er et hul på siden af venturirørene. Dette er kun synligt på hovedbrænderne og på sidebrænderen:



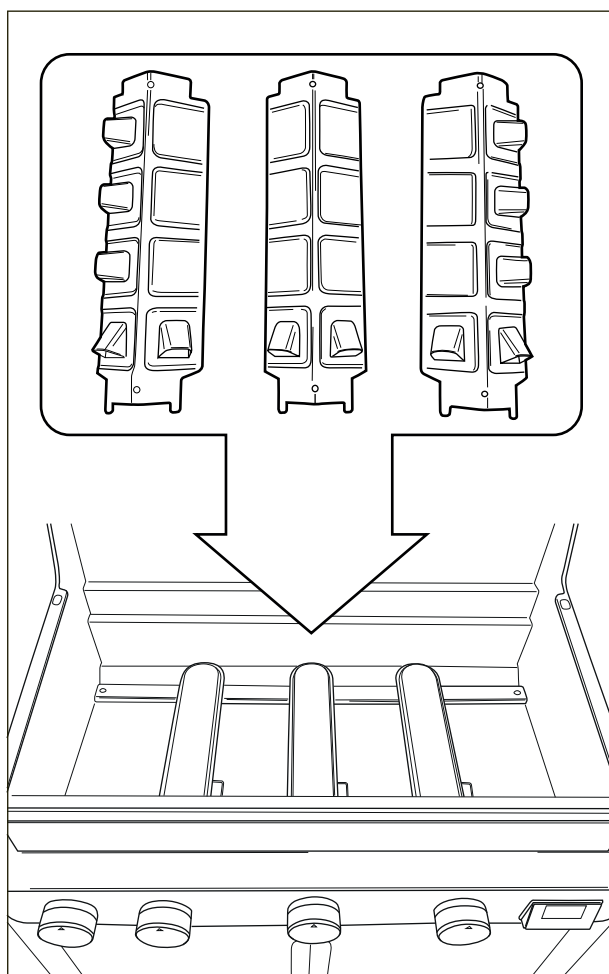
Når gas er på vej til brænderne, passerer det gennem venturirørene. Takket være hullerne i siderne blandes gassen med luft og som et resultat deraf med oxygen. Dette er nødvendigt for en god tænding i brænderne: Kun den korrekte blanding af gas og oxygen tænder ordentligt og resulterer i gode flammer.

4.2 Brænderlåg

Brænderlågene er låg, som du monterer over brænderne i enheden. De beskytter brænderne mod dryppende fedt og har en vigtig funktion i turbo-varmesystemet. De overdækkede huller i siden af lågene fordeler varmen over risten, så den opvarmes meget hurtigere og mere jævnt.



Vær særligt opmærksom på brænderlågene ved samling af enheden. Turbo-varmesystemet kan kun fungere korrekt, hvis hvert låg monteres over den korrekte brænder.



4.3 Emalje

Nogle af enhedens dele er dækket af et lag af smeltet glas, der kaldes emalje. Denne emalje beskytter det underliggende metal mod korrosion. Emalje er et højkvalitetsmateriale, der er modstandsdygtig over for rust, falmer ikke i høje temperaturer og er meget nemt at vedligeholde.



Da emaljen er mindre fleksibel end det metal, den dækker, kan stykker af emalje falde af, hvis du håndterer enheden forkert. For at undgå problemer skal du være forsigtig, når du samler emaljerede dele, og altid vedligeholde emaljen som beskrevet senere i denne vejledning.

4.4 Opblusninger

Opblusninger er pludselige flammer, der opstår fra skålen, når du griller. De forårsages normalt af dryppende fedt eller marinade.

5 SAMLING AF ENHEDEN

5.1 Sikkerhedsanvisninger

- Foretag aldrig ændringer på enheden, når du samler den. Det er meget farligt og ikke tilladt at ændre dele, der er samlet på forhånd og/eller forsejlet fra producentens side.
- Følg altid samlevejledningen omhyggeligt.
- Brugeren er ansvarlig for, at enheden samles korrekt. Beskadigelser som følge af forkert samling dækkes ikke af garantien.

5.2 Sådan samles enheden

Du skal bruge en stjerneskruetrækker, en flad skrue-trækker og et AA-batteri (elektrisk tænder). Hvis din enhed leveres med en spydbrænder, skal du også bruge to D-batterier (spydbrændermotor). Batterier leveres ikke sammen med enheden.

- 1 Placer enheden på en flad og ren overflade.
- 2 Saml enheden i henhold til samletegningerne. Du kan finde dem i den anden del af denne vejledning efter sprængbilledet af din enhed.



Vær forsigtig, når de emaljerede dele samles. Værktøjerne og skruerne kan beskadige emaljen. Brug de medfølgende fiberspændskiver til at beskytte emaljen omkring skruerne.



Boblepakningen kan indeholde ekstra skruer. Skruerne kan gemmes efter samlingen.

6 TILSLUTNING AF GAS TIL ENHEDEN

6.1 Hvilken gasflaske, slange og regulator?

Inden du kan tilslutte gas til enheden, skal du købe en gasflaske, slange og trykregulator. Køb altid materialer, der overholder alle nationale standarder og med den eller de gastyper og nominelle tryk, der er anført på enheden.

På nedenstående tabel kan du se, hvilken gasflaske, slange og regulator du skal bruge. I Belgien (BE) skal du f.eks. bruge en propanflaske med en slange og regulator på 37 mbar eller en butanflaske med en slange og regulator på 28-30 mbar.

Land	Gasflaske, slange og regulator
DK, GR, NO, SE, EE, LT, LV, CZ, PL, MT, HU, SI, SK	Propan, 30 mbar/butan, 30 mbar
ES, GB, IE, PT, BE, FR, LU, IT	Propan, 37 mbar/butan, 28-30 mbar
NL	Propan, 30 eller 50 mbar/butan, 30 mbar
CY	Propan, 30 eller 37 mbar/butan, 28-30 mbar



Vi anbefaler at tilslutte enheden til propan. Propan har god forbrændingsevne og er mindre følsom over for frost.



Køb din trykregulator og gasflaske sammen. Ikke alle regulatorer passer til alle gasflasker.


6.2 Sikkerhedsanvisninger

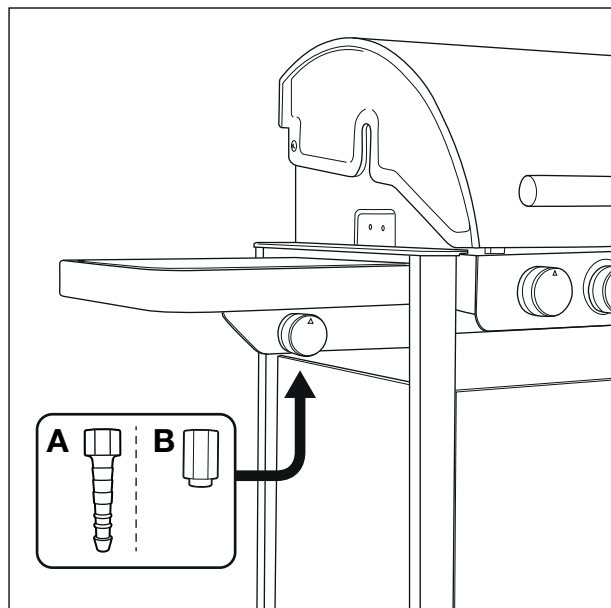
- Tilslut altid gasflasken direkte til enheden. Monter altid en trykregulator på gasflasken først.
- Modifier aldrig allerede samlede eller forseglede dele på gasflasken, slangen eller trykregulatoren.
- Hold slangen så kort som muligt (maks. 500 - 650 mm) for, at undgå at den slæber hen ad jorden.
- Ved tilslutning af gasflasken, slangen og trykregulatoren:
 - Forvrid aldrig slangen.
 - Hold altid gasflasken i en opret stående position.
 - Åbn aldrig gasforsyningen.
- Efterse for lækager, hver gang du foretager ændringer til gastilslutningen. Se "7 Efterse for gaslækager".

6.3 Tilslutning af slangen til enheden

For at tilslutte slangen til enheden skal du montere en sammenkobling på enhedens gasrør. Enheden leveres med to sammenkoblinger, der begge er beregnet til specifikke lande:

Land	Sammenkobling
BE, CH, CZ, DK, ES, FI, GB, IE, IT, PT, SI	Sammenkobling A
FR	Sammenkobling B

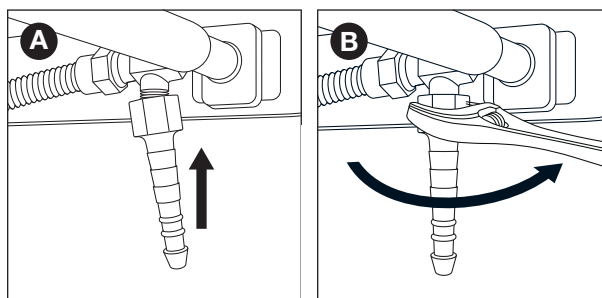
 Hvis dit land ikke er angivet i tabellen, skal du bruge den sammenkobling, der overholder dine nationale standarder.



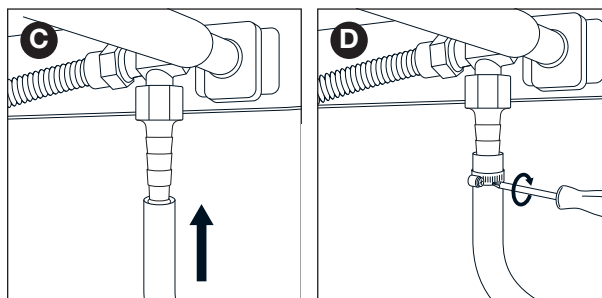
6.3.1 SAMMENKOBLING A

Du skal bruge en 19 mm skruenøgle og en stjerneskruestrækker.

- 1 Skru sammenkoblingen på enhedens gasrør (A), og spænd den med en 19 mm skruenøgle (B).



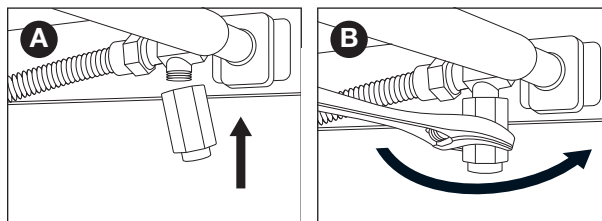
- 2 Skub slangen over sammenkoblingen (C), og spænd klemringen med en stjerneskruestrækker (D).



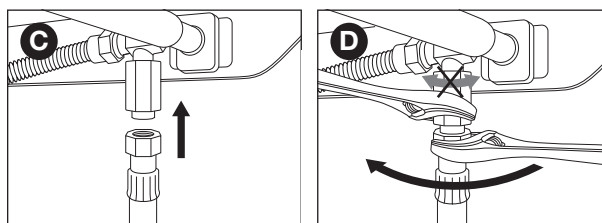
6.3.2 SAMMENKOBLING B

Du skal bruge en 22 mm skruenøgle og en justerbar skruenøgle.

- 1 Skru sammenkoblingen på enhedens gasrør (A), og spænd den med en 22 mm skruenøgle (B).



- 2 Skru gasslangen på sammenkoblingen (C), og spænd dem med to skruenøgler. Hold sammenkoblingen med en 22 mm skruenøgle, men du drejer slangen med en justerbar skruenøgle (D).

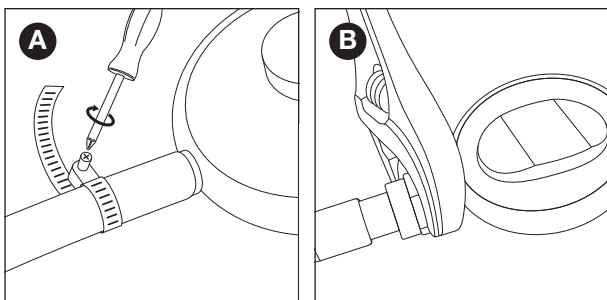


6.4 Tilslutning af slangen og gasflasken til regulatoren

Afhængig af den type trykregulator du bruger, skal du bruge en stjerneskruestrækker og/eller en justerbar skruenøgle.

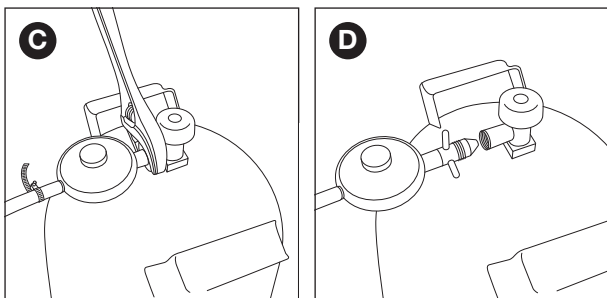
- 1 Tilslut slangen til trykregulatoren. Gør et af følgende:
 - Hvis slangen har en klemring, skal du skubbe slangen over regulatoren og spænde klemringen med en stjerneskruestrækker (A).

- Hvis slangen har en møtrik, skal du skrue slangen på regulatoren og spænde møtrikken med en justerbar skrueøgle (B).



2 Tilslut trykregulatoren til gasflasken. Gør et af følgende:

- Hvis regulatoren har en møtrik, skal du skrue regulatoren på gasflasken i urets retning og spænde møtrikken med en justerbar skrueøgle (C).
- Hvis regulatoren har et skruegevind, skal du skrue regulatoren på gasflasken imod urets retning (D).



6.5 Udskiftning af gasflasken

- 1 Luk for gasforsyningen, og indstil alle kontrolknapper til OFF.
- 2 Frakobl den tomme gasflaske, og tilkobl den fulde gasflaske.
- 3 Efterse gasflasken, slangen og alle gastilslutninger for lækager. Se "7 Efterse for gaslækager".


7 EFTERSE FOR GASLÆKAGER

7.1 Hvorfor skal der efterses for gaslækager?

Propan og butan er tungere end luft. Som et resultat flyder de ikke væk ved lækage fra enheden. Særligt på vindstille dage kan en lækage forårsage, at gas samles omkring enheden. Den opsamlede gas kan derefter antændes og eksplodere.

7.2 Hvornår skal der efterses for gaslækager?

- Inden den første brug eller inden brug første gang efter længere tids opbevaring.

 Efterse også for gaslækage, hvis din enhed blev samlet af din forhandler.

- Hver gang du udskifter en gaskomponent.
- Mindst en gang om året, helst i begyndelsen af sæsonen.

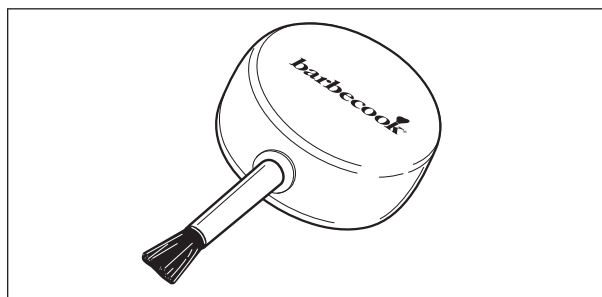
7.3 Sikkerhedsanvisninger

- Placer enheden udendørs i et godt ventileret område. Sørg for, at der ikke er flammer eller varmekilder i nærheden af enheden.
- Brug aldrig en lighter eller tændstik til at efterse for gaslækager.
- Ryg ikke, og tænd ikke brænderne ved eftersyn for gaslækager.

7.4 Hvilke materialer skal jeg bruge?

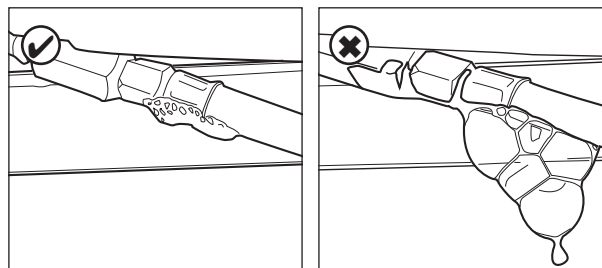
For at efterse for gaslækager skal du bruge:

- En testvæske. Du kan bruge en lækagespray, der er klar til brug, eller en blanding af vand (50 %) og opvaskesæbe (50 %).
- Værktøj til test for lækage, der fulgte med din enhed. Du skal bruge det til at opsuge testvæsken, og påføre det på den gaskomponent eller tilslutning, som du vil undersøge.



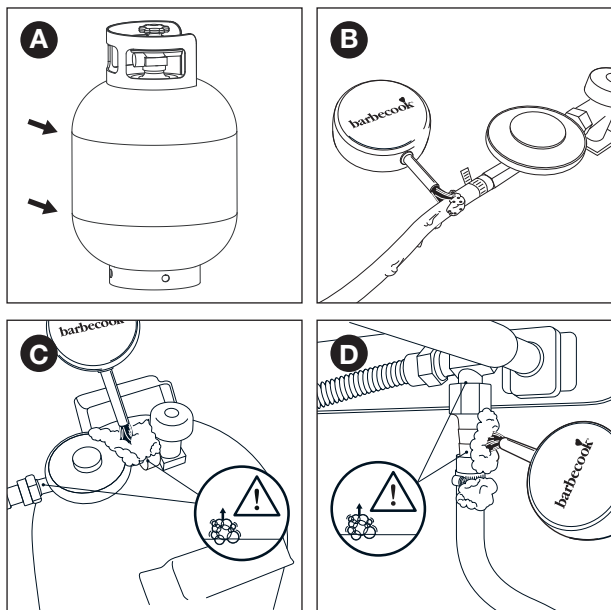
7.5 For at efterse for gaslækager

Du kan teste for gaslækager ved at anvende en testvæske på alle gaskomponenter og forbindelser. Hvis der fremkommer bobler på en bestemt komponent eller forbindelse, er der en gaslækage.



Gør følgende for at efterse for gaslækager:

- 1 Sæt enheden udenfor.
- 2 Hent dit værktøj til test for gaslækage og testvæske (lækagespray eller vand/sæbeblandning).
- 3 Åbn låget, og indstil alle kontrolknapper til OFF.
- 4 Åbn let for gasforsyningen. Drej en enkelt gang på gasflaskens ventiler.
- 5 Opsug noget testvæske med værktøjet til test for gaslækage, og påfør det på det område, som du vil undersøge. Du skal undersøge:
 - Svejsningerne på gasflasken (A).
 - Slangen (B)
 - Forbindelserne mellem gasflasken og trykregulatoren og mellem trykregulatoren og slangen (C).
 - Forbindelsen mellem slangen og enheden (D).



i Din trykregulator og sammenkobling kan afvige fra de viste i illustrationen.

- 6 Gør et af følgende:
- Hvis du finder en lækage, skal du fortsætte som beskrevet i "I tilfælde af en gaslækage".
 - Hvis der ikke er lækager, skal du lukke for gasforsyningen, skylle alle komponenter grundigt med vand og tørre dem godt.

7.6 I tilfælde af en gaslækage

- 1 Luk for gasforsyningen, og gør et af følgende:
 - Hvis du har fundet en lækage i en af tilslutningerne, skal du stramme tilslutningen.
 - Hvis du har fundet en lækage i gasflasken eller slangen, skal du udskifte gasflasken eller slangen.
- 2 Kontroller den tilslutning eller komponent, hvor du fandt lækagen, igen.
- 3 Hvis lækagen ikke er udbedret, skal du kontakte en Barbecue-forhandler. Brug ikke enheden, før lækagen er udbedret.

i Se www.barbecue.com for en liste over Barbecue-forhandlere i nærheden af dig.

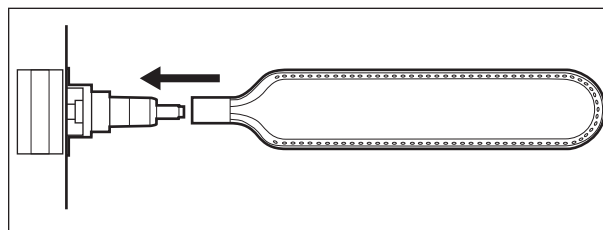
8 KLARGØRING AF ENHEDEN

8.1 Før hver brug

Hver gang du bruger enheden, skal du sørge for, at:

- Enheden er placeret på et passende sted. Se "3.3 Vælg en passende placering".
- Gasslangen ikke slæber hen ad jorden og ikke kan komme i kontakt med en varm overflade eller med dryppende fedt.
- Skålen er ren. Vi anbefaler at lægge et nyt Leaf® i skålen inden hver brug. Se "11.2 Rengøring af skålen".
- Brænderne og venturirørene ikke er blokeret af insektræder eller spindelvæv. Se "11.3 Rengøring af brændere og venturirør".
- Enheden er samlet korrekt. Vær særlig opmærksom på:
 - Brænderlågene Hvert låg skal placeres over den korrekte brænder. Se "4.2 Brænderlåg".

- Brændernes venturirør De skal placeres over gasventilernes åbninger.



i Hvis du vil være helt sikker på, at din gastilslutning er i orden, kan du efterse enheden for gaslækager før hver brug. Se "7 Efterse for gaslækager".

8.2 Før første brug (efter lang tid)

Hvis du bruger enheden for første gang eller for første gang i lang tid, skal du udføre nogle ekstra kontroller:

- Sørg for, at du har læst, forstået og kontrolleret alle instruktionerne i denne manuel (kun før første brug).
- Efterse enheden for gaslækager. Se "7 Efterse for gaslækager".
- **!** Efterse også for gaslækage, hvis din enhed blev samlet af din forhandler.
- Rengør brænderne og venturirørene (kun efter første brug i lang tid) Se "11.3 Rengøring af brændere og venturirør".
- Brænd enheden af, inden du lægger mad på den (kun før første brug). Se "8.3 Afbrænding af enheden".

8.3 Afbrænding af enheden

Ved at afbrænde enheden inden den tages i brug første gang, fjerner du resterende produktionsfedt fra enheden. Gør følgende:

- 1 Tænd hovedbrænderne, og indstil deres kontrolknapper til HIGH. Se "9.2 Tænding af hovedbrænderne".
- 2 Luk låget, og lad enheden brænde i 15 minutter. Læg ikke mad på risten endnu.
- 3 Åbn låget efter 15 minutter, og lad enheden brænde i yderligere 5 minutter (kontrolknapper er stadig indstillet til HIGH).
- 4 Efter 5 minutter er enheden klar til brug. Du kan nu lægge mad på risten.

9 TÆNDING AF BRÆNDERNE

i For at tænde brænderne med den elektriske tænder skal du isætte et AA-batteri i tænderen. Batteriet leveres ikke sammen med enheden. Du kan finde tænderens batteriindsats inde i enhedens kabinet.


9.1 Sikkerhedsanvisninger

- Inden du tænder enheden, skal du udføre alle kontroller angivet i "8 Klargøring af enheden".
- Sørg for, at låget altid er åbent, når du tænder en brænder.
- Bøj dig aldrig direkte ind over en brænder, når du tænder den.

9.2 Tænding af hovedbrænderne

9.2.1 BRUG AF TÆNDEREN

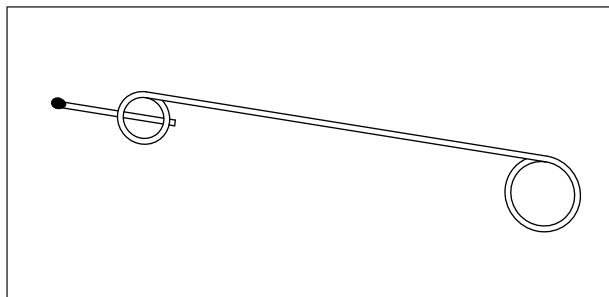
- 1 Åbn låget, og indstil hovedbrændernes kontrolknapper til OFF.
- 2 Hvis der endnu ikke er tændt en brænder, skal du åbne for gasforsyningen og vente i 10 sekunder. Dette giver gassen mulighed for at stabilisere sig.
- 3 Tryk kontrolknappen for en brænder ind, indstil den til HIGH, og hold den inde i et par sekunder. Den indbyggede tænder slår gnister, hvilket tænder for brænderen.

 Tænd altid kun en hovedbrænder først. Tænd aldrig alle hovedbrænderne på samme tid.

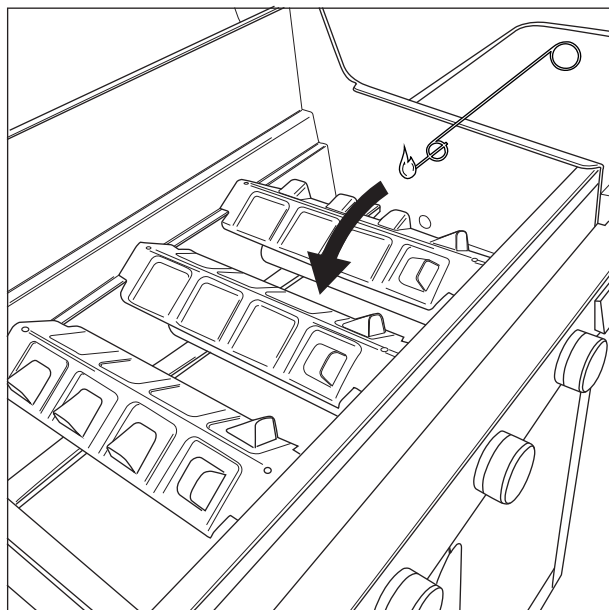
- 4 Hvis brænderen ikke tænder efter 3 forsøg, skal du indstille kontrolknappen til OFF, lukke for gasforsyningen og vente i 5 minutter. Dette giver mulighed for at fjerne opsamlet gas.
- 5 Prøv at tænde for brænderen igen. Hvis den stadig ikke tænder, kan du prøve at tænde den med en tændstik, eller se "14 Fejlfinding" for at finde årsagen til problemet.

9.2.2 BRUG AF EN TÆNDSTIK


- 1 Sæt en tændstik i tændstikholderen.



- 2 Åbn låget, og indstil hovedbrændernes kontrolknapper til OFF.
- 3 Hvis der endnu ikke er tændt en brænder, skal du åbne for gasforsyningen og vente i 10 sekunder. Dette giver gassen mulighed for at stabilisere sig.
- 4 Tænd tændstikken, og hold den ca. 13 mm fra brænderen.




- 5 Indstil kontrolknappen for en brænder til HIGH.

 Tænd altid kun en hovedbrænder først. Tænd aldrig alle hovedbrænderne på samme tid.

- 6 Hvis brænderen ikke tænder inden for 5 sekunder, skal du indstille kontrolknappen til OFF, lukke for gasforsyningen og vente i 5 minutter. Dette giver mulighed for at fjerne opsamlet gas.

- 7 Prøv at tænde for brænderen igen. Hvis den stadig ikke tænder, kan du se "14 Fejlfinding" for at finde årsagen til problemet.

9.3 Tænding af sidebrænderen

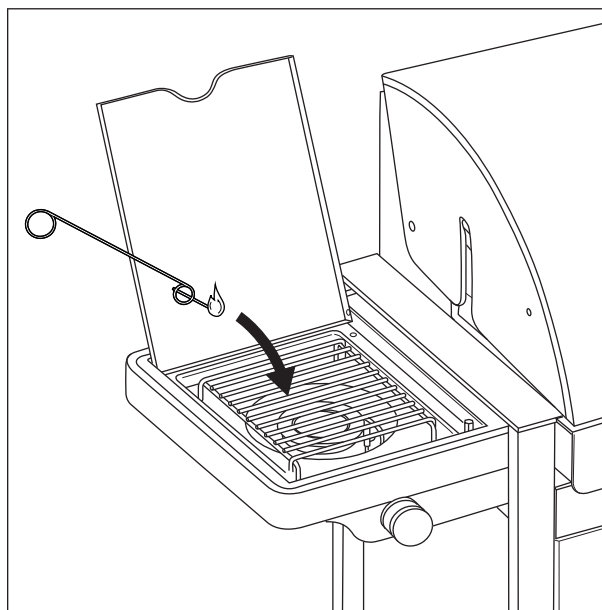
 Sidebrænderen kan kun bære beholdere med en maksimal vægt på 9 kg og en maksimal diameter på 220 mm.

9.3.1 BRUG AF TÆNDEREN

- 1 Åbn låget, og indstil sidebrænderens kontrolknop til OFF.
- 2 Hvis der endnu ikke er tændt en brænder, skal du åbne for gasforsyningen og vente i 10 sekunder. Dette giver gassen mulighed for at stabilisere sig.
- 3 Tryk kontrolknappen for sidebrænderen ind, indstil den til HIGH, og hold den inde i et par sekunder. Den indbyggede tænder slår gnister, hvilket tænder sidebrænderen.
- 4 Hvis brænderen ikke tænder efter 3 forsøg, skal du indstille kontrolknappen til OFF, lukke for gasforsyningen og vente i 5 minutter. Dette giver mulighed for at fjerne opsamlet gas.
- 5 Prøv at tænde sidebrænderen igen. Hvis den stadig ikke tænder, kan du prøve at tænde den med en tændstik, eller se "14 Fejlfinding" for at finde årsagen til problemet.

9.3.2 BRUG AF EN TÆNDSTIK

- 1 Sæt en tændstik i tændstikholderen.
- 2 Åbn låget, og indstil sidebrænderens kontrolknop til OFF.
- 3 Hvis der endnu ikke er tændt en brænder, skal du åbne for gasforsyningen og vente i 10 sekunder. Dette giver gassen mulighed for at stabilisere sig.
- 4 Tænd tændstikken, og hold den ca. 13 mm fra sidebrænderen.



- 5 Indstil kontrolknappen for sidebrænderen til HIGH.
- 6 Hvis sidebrænderen ikke tænder inden for 5 sekunder, skal du indstille kontrolknappen til OFF, lukke for gasforsyningen og vente i 5 minutter. Dette giver mulighed for at fjerne opsamlet gas.
- 7 Prøv at tænde sidebrænderen igen. Hvis den stadig ikke tænder, kan du se "14 Fejlfinding" for at finde årsagen til problemet.

9.4 Slukning af brænderne

Hvis du ikke længere bruger brænderne, skal du slukke dem. Gør følgende:

- 1 Luk for gasforsyningen.
- 2 Indstil kontrolknapperne for brænderne til OFF.



Ved at lukke for gasforsyningen først sørger du for, at der ikke er gas tilbage i enheden.

9.5 Tænding af brænderne igen

Gør følgende, hvis en brænder går ud, mens den er i brug:

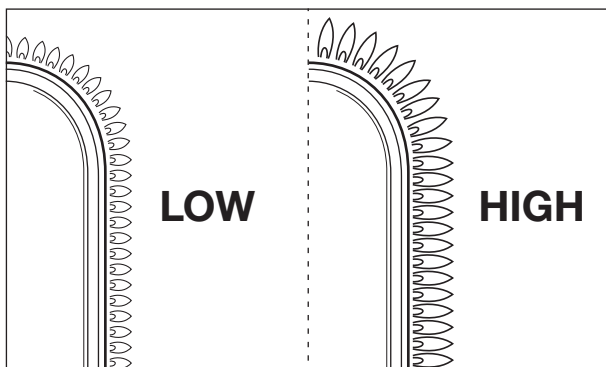
- 1 Åbn låget, og luk for gasforsyningen.
- 2 Indstil alle kontrolknapper til OFF, og vent i 5 minutter. Dette giver mulighed for at fjerne opsamlet gas.
 - 3 Tænd brænderen eller brænderne igen.

9.6 Kontrol af flammerne

Hver gang du tænder en brænder, skal du kontrollere flammerne. En perfekt flamme er næsten helt blå med lidt gult øverst. Spadiske gule flammer er normalt og ikke farligt.

Hvis der er noget galt med flammerne, skal du gøre et af følgende for at løse problemet:

Hvis flammerne er...	Gør følgende...
Lave og helt gule	<ol style="list-style-type: none">1 Luk øjeblikkeligt for gasforsyningen, og indstil alle kontrolknapper til OFF.2 Se "14 Fejlfinding" for at finde årsagen til problemet. Venturirørene er sandsynligvis blokerede.
Højere end skålen	<ol style="list-style-type: none">1 Luk øjeblikkeligt for gasforsyningen, og indstil alle kontrolknapper til OFF.2 Vent 5 minutter for at lade opsamlet gas forsvinde.3 Tænd brænderen eller brænderne igen.4 Hvis problemet varer ved skal du se "14 Fejlfinding" for at finde årsagen til problemet.



10 NYTTIGE TIPS OG TRICKS

10.1 Forvarmning af enheden

Ved at forvarme enheden sørger du for, at risten er varm nok, når du lægger mad på den. Gør følgende:

- 1 Tænd for brænderen/brænderne, og indstil deres kontrolknapper til HIGH.
- 2 Luk låget, og lad enheden stå i 10 minutter.
- 3 Åbn låget efter 10 minutter, og læg din mad på risten.
- 4 Hvis du nu skal bruge mindre varme, indstiller du kontrolknapperne til en lavere position.

10.2 Undgå, at mad sidder fast

For at undgå at mad sidder fast på risten:

- Pensel maden med lidt olie, inden du lægger det på risten. Du kan også pensle olie på selve risten.
- Forvarm enheden. Jo varmere risten er, når du lægger maden på den, jo mindre sidder maden fast.
- Vend ikke maden for hurtigt. Lad den først få noget varme.

10.3 Direkte og indirekte grilning

Afhængig af den type mad du tilbereder, og hvordan du vil tilberede den, kan du grille direkte eller indirekte:

Metode	Beskrivelse	Brug
Direkte	Læg din mad direkte over en tændt brænder, indstil brænderen til en høj position, og hold låget åbent.	For at svitse kød eller grøntsager
Indirekte	Læg din mad ved siden af en tændt brænder, indstil brænderen til en mellem/lav position, og luk låget.	For yderligere tilberedning af svitset mad



Når du griller under lukket låg, skal du altid holde øje med termometeret på låget for at sikre, at enheden ikke bliver for varm. Se "10.5 Hold øje med temperaturen".

10.4 Grilning med lukket låg

Det har nogle vigtige fordele at grille med lukket låg:

- Grillens temperatur er højere og forbliver mere konstant.
- Du mindsker tilberedningstiden for din mad og holder din mad mere saftig.
- Du mindsker opblusninger og sparer gas.



Når du griller under lukket låg, skal du altid holde øje med termometeret på låget for at sikre, at enheden ikke bliver for varm. Se "10.5 Hold øje med temperaturen".

10.5 Hold øje med temperaturen

Din enhed er udstyret med kraftfulde brændere, så den varmes op hurtigt, og du kan holde temperaturen jævn. Når du griller under et lukket låg, skal du imidlertid sørge for, at enheden ikke bliver for varm. Hold øje med termometeret på låget, og husk følgende retningslinjer:

- En normal tilberedningstemperatur er på ca. 210 °C. Ved højere temperaturer kan dryppende og opsamlet fedt antændes.
- Temperaturen bør aldrig være over 300 °C i mere end fem minutter. Dette kan beskadige og deformere enheden.



Hvis enheden bliver for varm, kan du køle den ned ved at åbne låget og indstille brænderne på en lavere position.

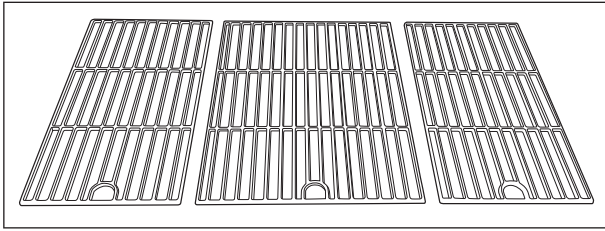
10.6 Optimal udnyttelse af varmen

Den midterste del af skålen er varmere end siderne. For at gøre det muligt for dig at bruge den varmeste del mest optimalt, er enheden udstyret med riste i forskellig størrelse. Den kommer med:

- En stor rist, der kan placeres midt i skålen.
- To mindre riste, der kan placeres i siderne af skålen.

Hvis du placerer ristene korrekt i skålen og tænder alle brænderne, bliver hele den midterste rist maksimalt opvarmet.


På den måde udvider du den varmeste del af skålen, og du kan udnytte ristens overflade optimalt.



10.7 Udnyttelse af varmezonerne

Når alle brændere er tændte, fordeles brænderlågernes varmen så jævnt som muligt over grillen. På trods af denne jævne varme er nogle zoner stadig varmere end andre. Du kan udnytte disse varmezoner til at grille din mad perfekt:

Zone	Varm?	Brug til...
Forrest	Varm	Grill delikat mad (rejer, fisk...)
Midt	Varmere	Tilbered mad, som det tager noget tid at tilberede (f.eks. pølser, kyllingelår...)
Bagest	Varmest	Svits kød og grøntsager

 Du kan også skabe varmezoner ved at lege med varmen fra brænderne. Du kan eksempelvis indstille en brænder til en lavere position og bruge zonen over brænderen til delikat mad, eller mad som det tager noget tid at tilberede.

10.8 Undgå opblusninger

Opblusninger er normalt, når der grilles. For mange opblusninger kan dog øge temperaturen i enheden og antænde ophobet fedt. For at undgå opblusninger:

- Sørg for, at skålen er ren, inden du starter med at grille. Vi anbefaler at lægge et nyt Leaf® i skålen inden hver brug. Se "11.2 Rengøring af skålen".
- Kontroller med jævne mellemrum, at fedtafløbshullet ikke er blokeret, og at fedtdrypbakken eller -koppen ikke er fuld endnu.
- Når du griller kød med højt fedtindhold, skal du lukke låget og indstille brænderne til en middel eller lav position.

11 VEDLIGEHOLDELSE AF ENHEDEN

11.1 Rengøring af risten

Vi anbefaler, at risten rengøres efter hver brug med Barbecue cleaner. Gør følgende:

- 1 Sprøjt skummet på risten, og lad det virke i et par minutter. Skummet bliver misfarvet, når det opsuger skidt og fedt.
- 2 Fjern skummet med en blød svamp og vand, og skyl risten grundigt.
- 3 Tør risten godt, og opbevar den på et tørt sted. Dette forhindrer rustdannelse.



Du kan også rengøre risten med et mildt rengøringsmiddel eller med natron. Brug aldrig ovenrens på risten.

11.2 Rengøring af skålen

Vi anbefaler, at rengøre skålen efter hver brug. Dette gøres nemmest ved at lægge et Leaf® i skålen, inden du begynder at grille. Leaf® er en folie, der passer perfekt i skålen, og som fanger alt snavs og fedt. Når enheden er kølet ned, skal du blot fjerne Leaf®, og skålen er ren.



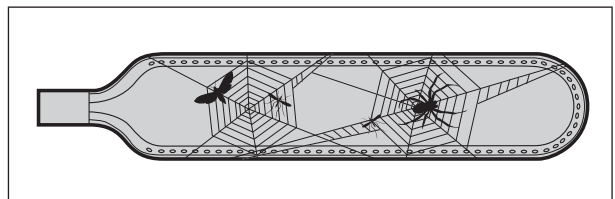
Registrer din enhed på www.barbecue.com for at finde ud af, hvilken type Leaf®, du har brug for.

11.3 Rengøring af brændere og venturirør

11.3.1 HVORFOR SKAL BRÆNDERE OG VENTURIRØR RENGØRES?

Edderkopper og insekter kan lave spindelvæv og reder i brænderne og venturirørene. Dette kan blokere gasforsyningen til brænderne. Som et resultat:

- Du kan ikke tænde brænderne. Hvis det lykkes dig at tænde dem, producerer de kun rygende og gule flammer.
- Gassen kan begynde at brænde uden for venturirørene ved kontrolknapperne. Denne form for brand kaldes for stikflammer og kan resultere i alvorlig personskade og materiel beskadigelse.



Beskadigelser som følge af blokerede brændere og venturirør anses som utilstrækkelig vedligeholdelse og dækkes ikke af garantien.

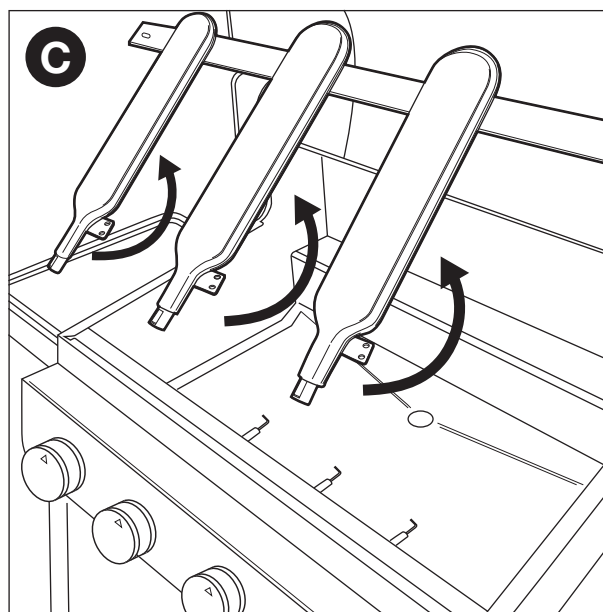
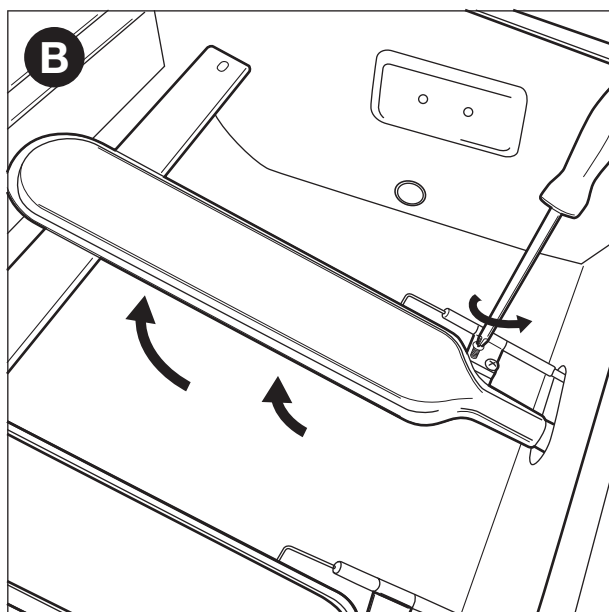
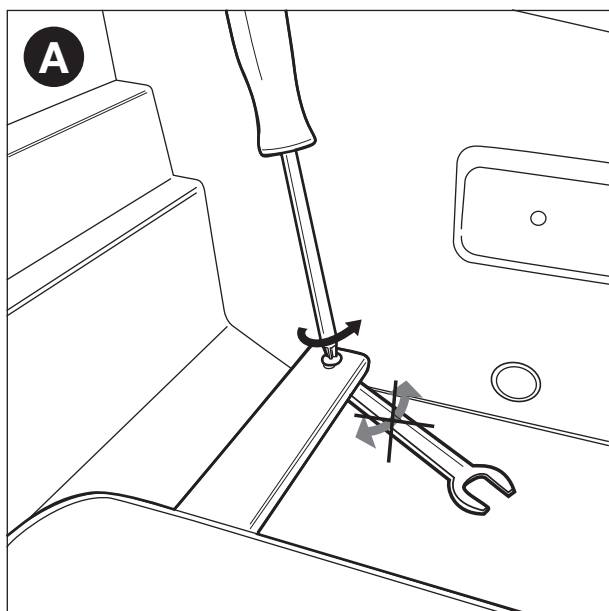
11.3.2 HVORNÅR SKAL BRÆNDERE OG VENTURIRØR RENGØRES?

Du skal rengøre enhedens brændere og venturirør:

- Inden den første brug efter længere tids opbevaring.
- Mindst to gange om året, hvoraf den ene skal være i begyndelsen af sæsonen.

11.3.3 FOR AT RENGØRE BRÆNDERE OG VENTURIRØR

- 1 Fjern brænderne fra enheden som vist på illustrationen. Hvis du lægger mærke til, at en brænder er beskadiget, skal du udskifte den.





- 2 Rengør brændere og venturirør med en lille børste eller en hjemmelavet piberenser (en udfoldet papirclips, en pibebrøste...).
- 3 Sæt brænderne på igen. Sørg for at placere venturirørene over gasventilernes åbninger.

11.4 Vedligeholdelse af emaljerede dele, dele af rustfrit stål samt og pulverlakerede dele

Enheden består af emaljerede og pulverlakerede dele samt dele i rustfrit stål og. Hvert materiale skal vedligeholdes forskelligt:

Materiale	Sådan vedligeholdes dette materiale
Emalje	<ul style="list-style-type: none">• Brug ikke skarpe genstande, og stød ikke grillen mod en hård overflade.• Undgå kontakt med kolde væsker, mens grillen er varm.• Du kan bruge metalsvampe og slibende rengøringsmidler.
Rustfrit stål	<ul style="list-style-type: none">• Brug ikke hårde eller slibende rengøringsmidler eller rengøringsmidler til metal.• Brug blide rengøringsmidler, og lad dem virke på stålet.• Brug en blød svamp eller klud.• Skyl grundigt efter rengøring, og tør helt inden opbevaring.
Pulverlakeret	<ul style="list-style-type: none">• Brug ikke skarpe genstande. Brug et blidt rengøringsmiddel og en blød svamp eller klud.• Skyl grundigt efter rengøring, og tør helt inden opbevaring.

 Undgå kontakt med klor, salt og jern for at forhindre rustdannelse på rustfrit stål. Vi anbefaler, at enheden ikke bruges i nærheden af kystområder, jernbanespor eller svømmebassiner.

 Beskadigelser som følge af, at denne vejledning ikke er blevet fulgt, anses som utilstrækkelig vedligeholdelse og dækkes ikke af garantien.

Under sprængbilledet af din enhed (den anden del af vejledningen) kan du se en liste over alle de dele, som enheden består af. Denne liste indeholder et symbol, der specificerer hver dels materiale, så du kan bruge listen til at undersøge, hvordan du vedligeholder den bestemte del. Listen over dele bruger følgende symboler:

Symbol	Materiale
●	Emalje
■	Rustfrit stål
★	Pulverlakeret

11.5 Opbevaring af enheden

Hvis du ikke bruger enheden i en længere tidsperiode, skal du opbevare den på et tørt sted. Inden du opbevarer enheden:

- Afbryd gasflasken. Opbevar aldrig din enhed indendørs (heller ikke i en garage eller et skur), så længe den er sluttet til gasflasken.
- Rengør brænderne og ristene, smør dem med olie, og pak dem ind i papir.
- Hvis din enhed er udstyret med en spydbrænder, skal du fjerne motoren til spydbrænderen og opbevare den på et tørt sted.
- Dæk din enhed med et Barbecue betræk. Registrer din enhed på www.barbecue.com for at finde ud af, hvilket betræk du skal bruge.

11.6 Opbevaring af gasflasker


Disse instruktioner gælder for både tomme og fulde gasflasker.

- Opbevar altid gasflasker udendørs på et område med god ventilation. Sørg for, at de ikke eksponeres for høj varme eller direkte sollys.
- Opbevar aldrig en gasflaske på et område, der kan blive meget varmt (i en bil, på en båd...).
- Opbevar aldrig din gasflaske eller reservegasflaske i enhedens kabinet.
- Opbevar aldrig din reservegasflaske i nærheden af et tændt gasapparat.
- Opbevar altid gasflasker uden for børns rækkevidde.
- Opbevar og transporter altid gasflasker i et en opretstående position.

11.7 Bestilling af reservedele

Dele, der udsættes for direkte ild eller høj varme, skal udskiftes fra tid til anden. For at bestille en reservedel:

- 1 Slå referencenummeret op på den del, du skal bruge. Du kan finde en liste over alle referencenumre under sprængbillederne i den anden del af denne vejledning og på www.barbecue.com.

 Hvis du har registreret din enhed online, sendes du automatisk til den rigtige liste.

- 2 Bestil reservedelen på dit salgssted. Du kan bestille reservedele både under og uden for garantien.

12 GARANTI

12.1 Dækket

Din enhed leveres med 2 års garanti fra købsdatoen. Denne garanti dækker alle produktionsfejl forudsat at:

- Du har brugt, samlet og vedligeholdt enheden i henhold til instruktionerne i denne vejledning. Beskadigelser forårsaget af misbrug, forkert samling eller utilstrækkelig vedligeholdelse anses ikke som produktionsfejl.
- Du kan fremvise kvitteringen og det unikke serienummer på din enhed. Serienummeret starter med et G efterfulgt af 15 cifre. Du kan finde det:
 - På denne vejledning og på startpakken, der indeholdt vejledningen.
 - På enhedens emballage.
 - På typeetiketten på indersiden af kabinetdøren.
- Barbecue-kvalitetsafdelingen bekræfter, at delene er fejlbehæftede, og at de viste sig at være fejlbehæftede under normal brug, korrekt samling og tilstrækkelig vedligeholdelse.

Hvis en af ovenstående betingelser ikke overholdes, kan du ikke gøre krav på nogen form for erstatning. Garantien er i alle tilfælde begrænset til reparation eller erstatning af fejlbehæftede dele.

12.2 Ikke dækket

Følgende beskadigelser og defekter er ikke dækket af garantien:

- Normal slidtage (rust, skævhed, misfarvning...) af dele, der er direkte udsat for ild eller høj varme. Det er normalt at udskifte disse dele fra tid til anden.
- Visuelle uregelmæssigheder, der skyldes produktionsprocessen. Disse uregelmæssigheder anses ikke som værende produktionsfejl.
- Alle beskadigelser forårsaget af utilstrækkelig vedligeholdelse, forkert opbevaring, forkert samling eller ændringer foretaget på dele, der er samlet på forhånd.
- Alle beskadigelser forårsaget af forkert brug og misbrug af enheden (brug, der ikke er i henhold til instruktionerne i denne vejledning, brug til kommercielle formål...).
- Alle følgeskader forårsaget af skødesløs eller ikke føjelig brug af enheden.
- Rust eller misfarvning forårsaget af eksterne kilder, brug af hårde rengøringsmidler, brug af klorin... Disse beskadigelser anses ikke som værende produktionsfejl.

13 TEKNISKE SPECIFIKATIONER

13.1 Typeetiket

Typeetiketten angiver alle tekniske specifikationer for din enhed. Du kan finde det:

- I den anden del af denne vejledning.
- På indersiden af kabinetdøren.

13.2 Injektordiameter

- Hovedbrænder: 0,991 mm
- Sidebrænder: 0,88 mm

14 FEJLFINDING

Problem	Mulige årsager	Løsninger
Ikke tilstrækkelig varme	<ul style="list-style-type: none"> Gasforsyning ikke åben Venturirør ikke placeret over gasventilernes åbninger Brænderåbninger blokeret Gasflaske (næsten) tom Trykregulator ikke sluttet korrekt til gasflasken og/eller slangen 	<ul style="list-style-type: none"> Åbn gasforsyningen Placer venturirør over gasventilernes åbninger Rengør brænderåbningerne eller udskift brænderne Udskift gasflasken Slut trykregulatoren til gasflasken og/eller slangen igen
For meget varme og/eller opblusninger	<ul style="list-style-type: none"> Mad for fedtholdig Fedtafløbshul blokeret, fedt i skålen og/eller på brænderne Brænderlåg er ikke monteret korrekt Temperatur for høj 	<ul style="list-style-type: none"> Fjern overskydende fedt, eller indstil brænderne på en lavere position Rengør fedtafløbshullet, skålen og brænderne Monter brænderlågene korrekt Indstil brænderne på en lavere temperatur, og/eller grill maden indirekte
Varme fordeles ikke jævne over grilloverfladen	<p>Nogen varmemforskel er normalt, se "11.6 Optimal udnyttelse af varmen" og "11.7 Udnyttelse af varmezonerne". Mulige årsager til store varmemforskelle:</p> <ul style="list-style-type: none"> Brænderlåg er ikke monteret korrekt Enheden ikke forvarmet 	<ul style="list-style-type: none"> Monter brænderlågene korrekt Forvarm enheden
Gule flammer	<ul style="list-style-type: none"> Brændere eller venturirør blokeret Salt på brænderne Enhed sluttet til butan 	<ul style="list-style-type: none"> Rengør brændere og venturirør Rengør brændere Slut enheden til propan vha. en passende trykregulator
Dårlig flamme	Brænder blokeret, lækker eller rusten	Rengør eller udskift brænderen
Stikflammer (flammer uden for venturirør/ved kontrolknapper)	Brændere eller venturirør blokeret	<ol style="list-style-type: none"> Luk for gasforsyningen, og indstil brænderne til OFF. Lad enheden køle ned. Rengør brænder og venturirør.
Flammer højere end kanten af skålen	<ul style="list-style-type: none"> For meget vind Gasflaske (næsten) tom Fedt i skålen og/eller på brænderne 	<ul style="list-style-type: none"> Placer enheden med bagsiden i vindretningen Udskift gasflasken Rengør skålen samt brænderne, og udskift Leaf®
Trykregulatoren brummer	<ul style="list-style-type: none"> Varmt vejr Ny (fuld) gasflaske 	Ikke en fare eller defekt. Bør stoppe automatisk efter et stykke tid.
Brænder fløjter, når den er indstillet på LOW	Gasinjektor, venturirør og/eller brænder snavset	Rengør gasinjektor, Venturirør og brænder
Umuligt at tænde brænder (vha. enten tænder eller tændstik)	<ul style="list-style-type: none"> Brænder eller venturirør blokeret Ingen gasforsyning 	<ul style="list-style-type: none"> Rengør brænder og venturirør Åbn gasforsyningen, og tryk på sikkerhedsknappen på trykregulatoren (findes ikke på alle regulatorer)
Umuligt at tænde brænder med tænder	<ul style="list-style-type: none"> Intet batteri monteret, eller batteriet er ikke monteret korrekt Tænderledning ikke monteret korrekt Elektrode beskadiget Defekt jordforbindelse Defekt tænder 	<ul style="list-style-type: none"> Monter batteriet igen med terminalerne placeret korrekt Kontroller og saml alle tænderforbindelser igen Udskift elektroden Kontroller og saml elektroderne, brænderne og tænderen igen Udskift tænderen
Ingen gnist eller lyd ved tryk på tænderen	<ul style="list-style-type: none"> Intet batteri monteret, eller batteriet er ikke monteret korrekt Tomt batteri Tænderknap ikke samlet korrekt Defekt gnistgenerator 	<ul style="list-style-type: none"> Monter batteriet igen med terminalerne placeret korrekt Udskift batteriet Saml tænderknappen igen Udskift gnistgeneratoren

Problem	Mulige årsager	Løsninger
Kun lyd (ingen gnist) ved tryk på tænderen	<ul style="list-style-type: none"> • Defekt jordforbindelse • Brænder og elektrode er for langt fra hinanden 	<ul style="list-style-type: none"> • Tilslut gnistgeneratoren og elektroderne igen • Bøj elektroden lidt for at føre den tættere på brænderen
Gnister til stede, som ikke kommer fra brænderne	Defekt ledningsføring	Udskift ledningsføringen
Gnister til stede, men ikke på alle elektroder og/eller ikke kraftige nok	<ul style="list-style-type: none"> • Defekt jordforbindelse • Lavt batteri • Våde eller ødelagte elektroder 	<ul style="list-style-type: none"> • Tilslut gnistgeneratoren og elektroderne igen • Udskift batteriet • Tør elektroderne med køkkenrulle, eller udskift elektroderne

FI - KÄYTTÖOPAS

1	Rekisteröi laitteesi	154	10	Hyödyllisiä vihjeitä.....	160
2	Tietoa tästä käyttöoppaasta.....	154		• Laitteen esilämmittäminen	160
3	Tärkeitä turvallisuusohjeita.....	154		• Käytä tervettä järkeä	160
	• Lue ja noudata ohjeita	154		• Suora ja epäsuora grillaaminen	160
	• Ole varovainen kaasun kanssa.....	154		• Grillaaminen kannen ollessa suljettuna	161
	• Valitse sopiva käyttöpaikka	154		• Lämpötilan tarkkailu	161
	• Käytä tervettä järkeä.....	154		• Lämmönkäytön optimointi	161
4	Toistuvat käsitteet	154		• Lämpöalueiden hyödyntäminen	161
	• Kaasutinputket	154		• Käytä tervettä järkeä	161
	• Poltinten kannet.....	155	11	Laitteen huoltaminen.....	161
	• Emali.....	155		• Grillin puhdistaminen	161
	• Leimahdukset	155		• Kulhon puhdistaminen	161
5	Laitteen kokoonpano	155		• Poltinten ja kaasutinputkien puhdistaminen.....	162
	• Turvaohjeet	155		• Emalin, ruostumattoman teräksen, ja	
	• Laitteen kokoaminen	155		jauhemaalipinnoitteen huoltaminen.....	163
6	Kaasun liittäminen laitteeseen.....	155		• Laitteen varastointi	163
	• Mikä säiliö, letku ja paineensäädin?	155		• Kaasusäiliöiden varastointi.....	163
	• Turvaohjeet	156		• Varaosien tilaaminen	163
	• Letkun liittäminen laitteeseen	156	12	Takuu	163
	• Letkun ja säiliön liittäminen paineensäätimeen	156		• Takuu kattaa.....	163
	• Säiliön vaihto	157		• Takuu ei kata	163
7	Tarkistaminen kaasuvuotojen varalta.....	157	13	Tekniset tiedot	164
	• Miksi tarkistaa laite kaasuvuotojen varalta?	157		• Tyypikilpi.....	164
	• Milloin laite on syytä tarkistaa kaasuvuotojen varalta? ...	157		• Injektorien läpimitat	164
	• Turvaohjeet	157	14	Vianmääritys.....	165
	• Mitä materiaaleja tarvitsen?	157			
	• Tarkistaminen kaasuvuotojen varalta	157			
	• Kaasuvuodon sattuessa	158			
8	Laitteen valmistelu	158			
	• Ennen jokaista käyttökertaa	158			
	• Ennen ensimmäistä käyttökertaa (pitkän tauon jälkeen) .	158			
	• Laitteen käyttöönotto	158			
9	Polttimien sytyttäminen.....	158			
	• Turvaohjeet	158			
	• Pääpolttimien sytyttäminen	158			
	• Sivupolttimen sytyttäminen	159			
	• Poltinten sammuttaminen.....	159			
	• Polttimien sytyttäminen uudelleen.....	160			
	• Liekkien tarkistaminen.....	160			

1 REKISTERÖI LAITTEESI

Kiitos Barbecook-laitteen hankinnastasi! Olemme varmoja, että tuote tarjoaa sinulle paljon mieluisia grillaustuokioita.

Saat parhaan mahdollisen käyttökokemuksen rekisteröimällä laitteesi osoitteessa www.barbecook.com. Rekisteröinti kestää vain muutaman minuutin, mutta sen edut ovat merkittäviä:

- Voit käyttää mukautettua huoltopalveluamme. Tällä tavoin voit esimerkiksi löytää nopeasti varaosia laitteellesi tai hyötyä valinnaisesta takuuhuollosta.
- Voimme lähettää sinulle tietoa mielenkiintoisista tuotepäivityksistä ja tarjota lisää teknisiä tietoja.



Lisätietoa laitteen rekisteröinnistä saat vieraillemalla osoitteessa www.barbecook.com.



Barbecook kunnioittaa yksityisyyttäsi. Tietojasi ei tulla myymään, levittämään tai luovuttamaan kolmansille osapuolille.

2 TIETOA TÄSTÄ KÄYTTÖOPPAASTA

Tämä käyttöopas koostuu kahdesta osasta:

- Luet parhaillaan ensimmäistä osaa. Tämä osa sisältää laitteen kokoonpano-, käyttö- ja huolto-ohjeet.
- Toinen osa alkaa sivulta 379. Toinen osa sisältää erilaisia kuvia (suurennettuja näkymiä, kokoonpanokuvia...) tässä käyttöoppaassa kuvatuista laitteista.

3 TÄRKEITÄ TURVALLISUUSOHJEITA

3.1 Lue ja noudata ohjeita

Lue ohjeet ennen laitteen käyttöä. Noudata ohjeita aina huolellisesti. Laitteen ohjeista poikkeava kokoonpano tai käyttö voi johtaa tulipaloon tai aineellisiin vahinkoihin.



Takuu ei kata näiden ohjeiden noudattamatta jättämisestä aiheutuvia vahinkoja (vääränlainen kokoonpano, väärinkäyttö, riittämätön huolto, jne.).

3.2 Ole varovainen kaasun kanssa

Kaasun käyttö on täysin turvallista, mutta edellyttää varovaisuutta:

- Säilytä kaasusäiliöitä aina ulkotiloissa, missä on hyvä ilmanvaihto. Varmista, ettei kaasusäiliöt altistu liialliselle kuumuudelle tai suoralle auringonvalolle.
- Älä koskaan säilytä kaasusäiliöitä laitteen kaapissa.
- Laita kaasusäiliö käytön ajaksi laitteen sivulla olevaan säiliövaunuun.
- Älä koskaan säilytä varasäiliötä käytössä olevan kaasulaitteen läheisyydessä.
- Käännä kaasusäiliön venttiili aina pois päältä käytön jälkeen.
- Älä koskaan polta käytössä olevan kaasulaitteen tai kaasusäiliön (täysi/tyhjä) läheisyydessä.



Jos haistat kaasua, sulje kaasunsyöttö välittömästi, sammuta liekit ja avaa laitteen kansi. Jos haju ei poistu, ota yhteys kaasuntoimittajaasi tai palokuntaan.

3.3 Valitse sopiva käyttöpaikka

Laitetta saa käyttää vain ulkotiloissa. Laitteen käyttö sisätiloissa, mukaan lukien autotalli tai vaja, voi johtaa hiilimonoksidimyrkytykseen.

Huomioi seuraavat seikat valitessasi sopivaa käyttöpaikkaa:

- Sijoita laite vähintään kolmen metrin etäisyydelle lähimmästä rakennuksesta avoimeen paikkaan, jossa on hyvä ilmanvaihto.
- Varmista, että laitteen ilmanottoaukkojen ja grillin läpi pääsee virtaamaan ilmaa vapaasti.
- Varmista ettei laite ole sijoitettuna minkään rakenteen (terassi, katos, jne.) tai lehvistön alle.
- Sijoita laite kiinteälle ja tasaiselle alustalle. Älä koskaan sijoita laitetta liikkuvaan ajoneuvoon (vene, perävaunu, jne.).

3.4 Käytä tervettä järkeä

Käytä aina tervettä järkeä käyttäessäsi laitetta:

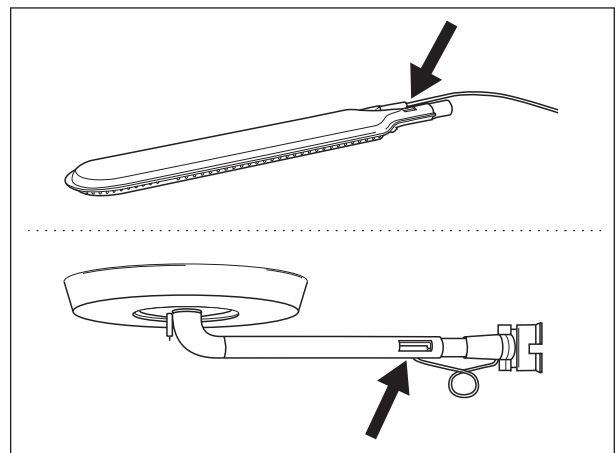
- Käytä ainoastaan ulkotiloissa.
- Älä siirrä laitetta käytön aikana.
- Älä jätä laitetta valvomatta käytön aikana, etenkin lasten tai eläinten ollessa läsnä.
- VAROITUS! Jotkin laitteen osista voivat olla erittäin kuumia käytön aikana. Älä päästä pieniä lapsia laitteen läheisyyteen.
- Käytä asianmukaista suojausta käsitellessäsi kuumia osia (kansi, grilli...).
- Älä sijoita palavia materiaaleja laitteen läheisyyteen käytön aikana.
- Pidä tulenarat materiaalit ja nesteet sekä liukenevat esineet pois laitteen läheisyydestä käytön aikana.
- Älä käytä puuta, hiiltä, laavakiviä tai keraamisia brikettejä kaasulaitteessa.
- Älä käytä laitetta, mikäli olet nauttinut alkoholia tai ottanut lääkkeitä.
- Älä muokkaa laitetta.

4 TOISTUVAT KÄSITTEET

Tämä osio sisältää tiettyjä tunnettuja käsitteitä. Nämä käsitteet toistuvat oppaan eri aiheissa.

4.1 Kaasutinputket

Kaasutinputket ovat poltinten kaasuliittimeen liitetyjä pieniä putkia. Kaasutinputkien kyljessä on reikä. Reikä näkyy pääpolttimissa ja sivupolttimissa:



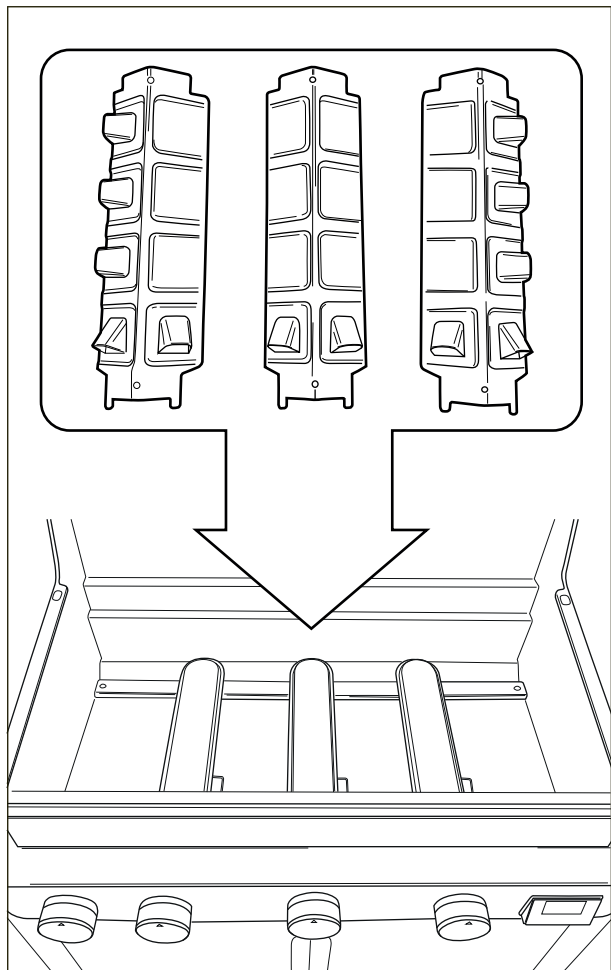
Kaasu virtaa kaasutinputkien läpi polttimiin. Kaasutinputkien sivuilla olevat reiät mahdollistavat hapen sekoittumisen kaasuun. Tämä on tarpeellista poltinten syttymisen kannalta: Kunnollinen liekki edellyttää oikeaa kaasun ja hapen sekoitussuhdetta.

4.2 Poltinten kannet

Poltinten kannet on tarkoitettu sijoitettaviksi laitteen poltinten päälle. Kannet suojaavat polttimia rasvapisaroilta ja niillä on keskeinen merkitys Turbolämmitysjärjestelmässä. Kansien sivuilla sijaitsevat suojatut reiät jakavat lämpöä grilliin siten, että grilli lämpenee tasaisemmin ja nopeammin.



Laitetta koottaessa on kiinnitettävä erityistä huomiota poltinten kansiin. Turbolämmitysjärjestelmä toimii oikein ainoastaan, mikäli jokainen kansi on asennettu asianmukaisen polttimen päälle.



4.3 Emali

Jotkin laitteen osat on pinnoitettu sulatetulla lasilla, jota kutsutaan emaliksi. Emali suojaa pinnoitteen alla olevaa metallia syöpymiseltä. Emali on erittäin korkealaatuinen materiaali: se on ruosteenkestävä, ei himmene korkeissa lämpötiloissa ja on erittäin helppo huoltaa.



Emali ei ole yhtä joustava kuin sen alla oleva metalli, joten emali voi halkeilla, jos laitetta käsitellään väärin. Voit välttää ongelmia noudattamalla varovaisuutta emaliosien kokoonpanon aikana ja huoltamalla emaliosia tässä oppaassa kuvatulla tavalla.

4.4 Leimahdukset

Leimahdukset ovat yhtäkkiä syntyviä liekkejä, jotka syntyvät kulhossa grillaamisen aikana. Leimahdukset syntyvät yleensä rasva- tai marinadin tippumisesta.

5 LAITTEEN KOKOONPANO

5.1 Turvaohjeet

- Älä muokkaa laitetta kokoonpanon yhteydessä. Tämä on hyvin vaarallista eikä esiasennettuja ja/tai valmistajan liittämiä osia saa muokata.
- Noudata kokoonpano-ohjeita huolellisesti.
- Laitteen asianmukainen kokoonpano on käyttäjän vastuulla. Takuu ei kata vääränlaisesta kokoonpanosta johtuvia vahinkoja.

5.2 Laitteen kokoaminen

Tarvitset ristipääruuvimeisselin, talttapääruuvimeisselin ja AA-pariston (sähkösytytin). Jos laitteessasi on varraspoltin, tarvitset myös kaksi D-paristoa (varraspolttimen kone). Paristot eivät sisälly toimitukseen.

- 1 Sijoita laite tasaiselle ja puhtaalle alustalle.
- 2 Kokoa laite kokoonpanokuvissa kuvatulla tavalla. Kokoonpanokuvat löytyvät oppaan toisesta osasta laitteen suurennettun kuvan jälkeen.



Noudata varovaisuutta kootessasi emaloituja osia. Työkalut ja ruuvit voivat vaurioittaa emalipinnoitetta. Käytä laitteen mukana toimitettuja priikkoja suojataksesi emalia ruuveilta.



Kuplamuovipakkaukset voivat sisältää ylimääräisiä ruuveja. Kokoonpanon jälkeen ruuveja voi edelleen olla jäljellä.

6 KAASUN LIITTÄMINEN LAITTEeseen

6.1 Mikä säiliö, letku ja paineensäädin?

Ennen kuin voit käyttää laitetta, sinun on ostettava kaasusäiliö, letku ja paineensäädin. Muista aina käyttää materiaaleja, jotka ovat kansallisten standardien sekä laitteessa mainittujen kaasutyyppien ja nimellispainien mukaisia.

Alla oleva taulukko kuvaa asianmukaisia säiliöitä, letkuja ja paineensäätimiä. Esimerkiksi Belgiassa on käytettävä 37 mbarin säiliötä, letkua ja paineensäädintä tai 28–30 mbarin butaanisäiliötä, letkua ja paineensäädintä.

Maa	Säiliö, letku ja paineensäädin
DK, GR, NO, SE, EE, LT, LV, CZ, PL, MT, HU, SI, SK	Propani, 30 mbar / Butaani, 30 mbar
ES, GB, IE, PT, BE, FR, LU, IT	Propani, 37 mbar / Butaani, 28-30 mbar
NL	Propani, 30 tai 50 mbar / Butaani, 30 mbar
CY	Propani, 30 tai 37 mbar / Butaani, 28–30 mbar



Suosittellemme käyttämään laitetta propaanilla. Propaanilla on laadukkaat syttymisominaisuudet ja on vähemmän altis pakastumiselle.



Osta paineensäädin ja kaasusäiliö yhdessä. Kaikki paineensäätimet eivät sovi kaikkiin säiliöihin.


6.2 Turvaohjeet

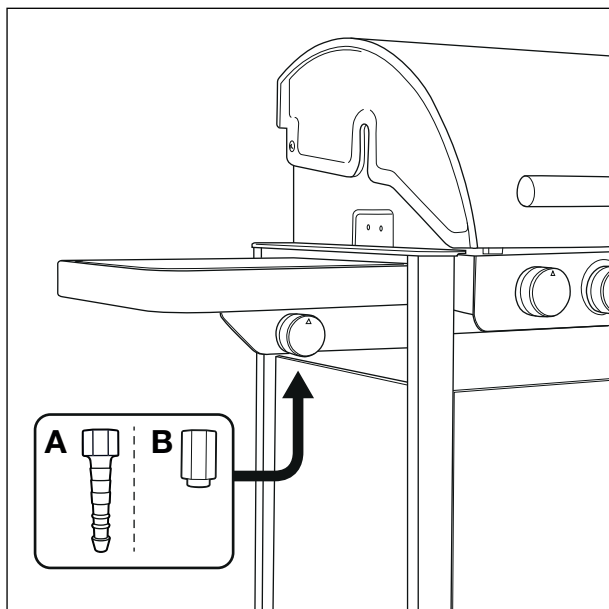
- Älä koskaan liitä säiliötä suoraan laitteeseen. Asenna säiliöön ensin paineensäädin.
- Älä koskaan muokkaa säiliön esiasennettuja tai suljettuja osia, letkua tai paineensäädintä.
- Pidä letku mahdollisimman lyhyenä (enintään 500 - 650 mm) välttääksesi sen raahautumisen maassa.
- Säiliön, letkun ja paineensäätimen liittäminen:
 - Älä koskaan väännä letkua.
 - Pidä säiliö aina pystyasennossa.
 - Älä koskaan avaa kaasunsyöttöä.
- Tarkista kaasuliitäntä aina vuotojen varalta tehtyysi liitännän. Katso "7 Tarkistaminen kaasuvuotojen varalta".

6.3 Letkun liittäminen laitteeseen

Voit liittää kaasuletkun laitteeseen asentamalla liittimen laitteen kaasuletkuun. Laitteen mukana toimitetaan kaksi eri liittintä, jotka ovat käytössä eri maissa:

Maa	Liitin
BE, CH, CZ, DK, ES, FI, GB, IE, IT, PT, SI	Liitin A
FR	Liitin B

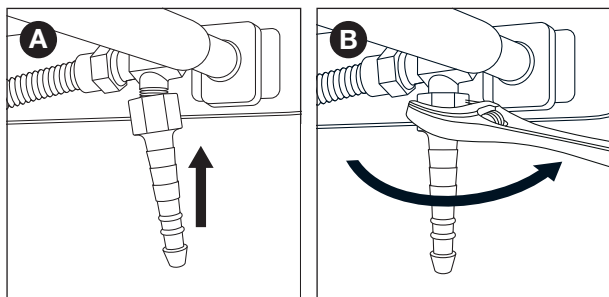
 Mikäli et löydä maakoodiasi taulukosta, valitse kansallisia standardeja vastaava liitin.



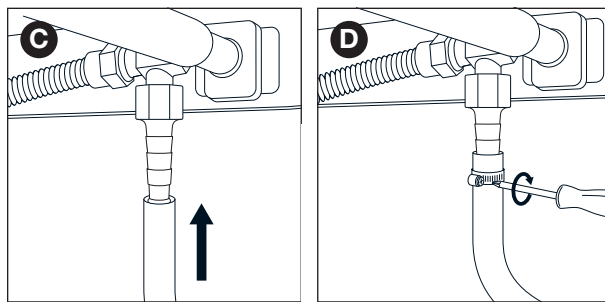
6.3.1 LIITIN A

Tarvitset 19 mm avaimen ja ristipääruuvimeisselin.

- 1 Ruuvaa liitin laitteen (A) kaasuletkuun ja kiristä liitin 19 mm avaimella (B).



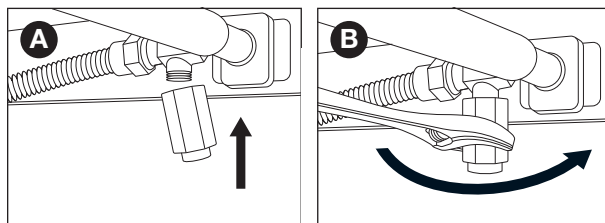
- 2 Liu'uta letku liittimen (C) päälle ja kiristä kiristysrenkas ristipääruuvimeisselillä (D).



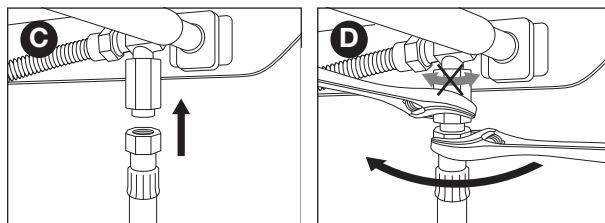
6.3.2 LIITIN B

Tarvitset 22 mm avaimen ja jakoavaimen.

- 1 Ruuvaa liitin laitteen (A) kaasuletkuun ja kiristä liitin 22 mm avaimella (B).



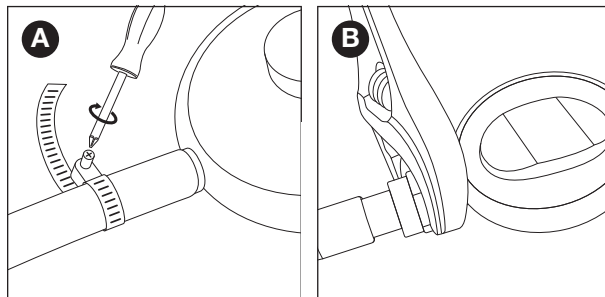
- 2 Ruuvaa kaasuletku liittimeen (C) ja kiristä se kahdella avaimella. Pidä liittintä paikallaan 22 mm avaimella ja käännä letkua jakoavaimella (D).



6.4 Letkun ja säiliön liittäminen paineensäätimeen

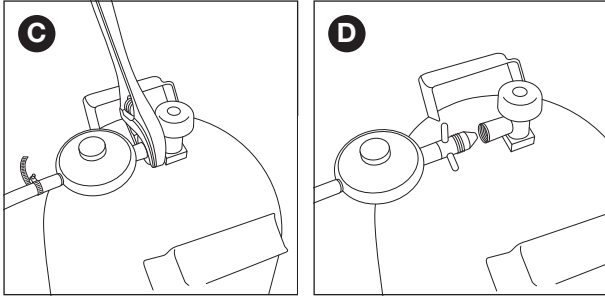
Toimenpide edellyttää ristipääruuvimeisselin ja/tai jakoavaimen käyttöä paineensäätimestä riippuen.

- 1 Liitä letku paineensäätimeen. Suorita jokin seuraavista toimenpiteistä:
 - Jos letkussa on kiristysrenkas, liu'uta letku paineensäätimen päälle ja kiristä kiristysrenkas ristipääruuvimeisselillä (A).
 - Jos letkussa on mutteri, ruuvaa letku paineensäätimeen ja kiristä mutteri jakoavaimella (B).



2 Liitä paineensäädin kaasusäiliöön. Suorita jokin seuraavista toimenpiteistä:

- Jos paineensäätimessä on mutteri, ruuvaa paineensäädintä myötäpäivään ja kiristä mutteri jokoavaimella (C).
- Jos paineensäätimessä on ruuvipää, kiinnitä se säiliöön ruuvaamalla paineensäädintä myötäpäivään (D).



6.5 Säiliön vaihto

- 1 Sulje kaasunsyöttö ja käännä kaikki säätimet OFF-asentoon.
- 2 Irrota tyhjä säiliö ja liitä täysi säiliö.
- 3 Tarkista säiliö, letku ja kaikki liitännät kaasuvuotojen varalta. Katso "7 Tarkistaminen kaasuvuotojen varalta".


7 TARKISTAMINEN KAASUVUOTOJEN VARALTA

7.1 Miksi tarkistaa laite kaasuvuotojen varalta?

Propeeni ja butaani ovat ilmaa raskaampia. Tästä johtuen ne eivät kulkeudu ilman mukana pois vuodon sattuessa. Erityisesti tuulettomana päivänä tapahtuva vuoto voi johtaa kaasun kertymiseen laitteen sisälle ja ympärille. Kertynyt kaasu voi mahdollisesti syttyä ja räjähtää.

7.2 Milloin laite on syytä tarkistaa kaasuvuotojen varalta?

- Ennen ensimmäistä käyttökertaa tai laitteen oltua käyttämättä pitkään.

 Tarkista laite myös kaasuvuotojen varalta, mikäli laite on jälleenmyyjän kokoama.

- Joka kerta kun vaihdat kaasuosan.
- Vähintään kerran vuodessa, mieluiten grillauskauden alussa.

7.3 Turvaohjeet

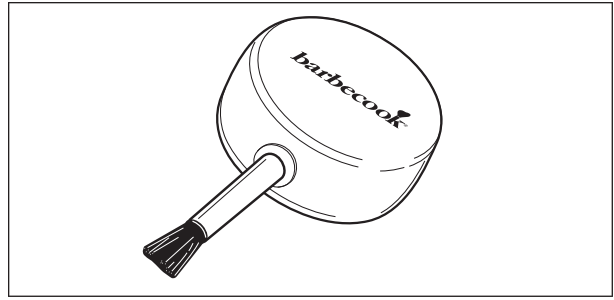
- Sijoita laite ulkotiloihin paikkaan, missä on hyvä ilmanvaihto. Varmista, ettei laitteen läheisyydessä ole avoliekkejä tai lämmönlähteitä.
- Älä koskaan tarkista kaasuvuotoja sytyttimellä tai tulitikulla.
- Älä polta savukkeita tai sytytä sytyttämiä kaasuvuotojen tarkistuksen aikana.

7.4 Mitä materiaaleja tarvitsen?

Tarkistaaksesi laitteen kaasuvuotojen varalta tarvitset:

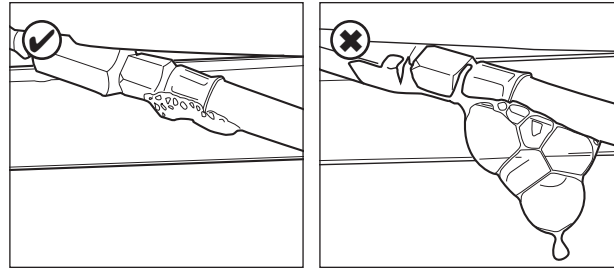
- Testiliuosta. Voit käyttää valmisliuosta tai veden ja tiskinpesuaineen seosta (1:1).

- Laitteen mukana toimitetun vuototestityökalun. Työkalun avulla voit imeä testiliuosta ja levittää sitä laitteen tarkistettaviin kaasuosiin tai liitoksiin.



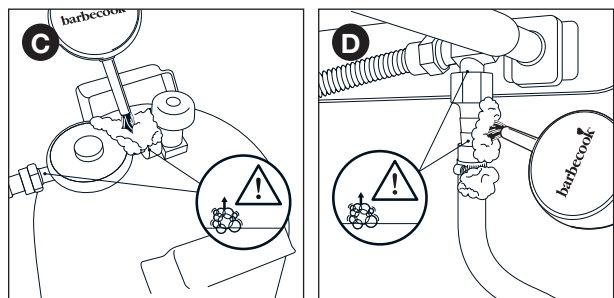
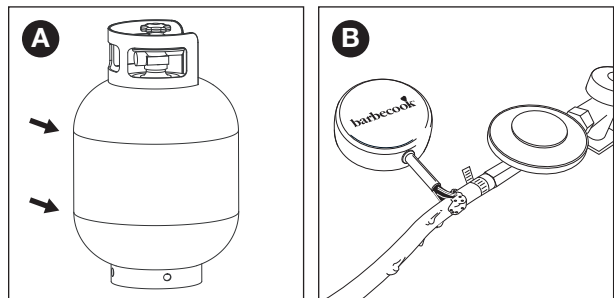
7.5 Tarkistaminen kaasuvuotojen varalta


Voit testata laitteen kaasuvuotojen varalta lisäämällä testiliuosta kaikkiin kaasuosiin ja liitäntöihin. Mikäli jossain osassa tai liitännässä ilmenee kuplia, kyseessä on kaasuvuoto:



Voit tarkistaa laitteen kaasuvuotojen varalta toimimalla seuraavasti:

- 1 Sijoita laite ulos.
- 2 Ota vuototestityökalu ja testausliuos (vuotospray tai vesi-/saippualliuos).
- 3 Avaa kansi ja käännä kaikki säätimet OFF-asentoon.
- 4 Avaa kaasunsyöttöä hieman. Käännä kaasusäiliön venttiiliä vain kerran.
- 5 Ime vuototestityökaluun pieni määrä testiliuosta ja levitä liuosta testattavalle alueelle. Tarkista seuraavat osat:
 - Kaasusäiliön juotokset (A)
 - Letku (B)
 - Säiliön ja paineensäätimen sekä paineensäätimen ja letkun väliset liitännät (C).
 - Letkun ja laitteen välinen liitäntä (D)



 Paineensäädin ja liitin voivat poiketa kuvissa näkyvistä osista.

6 Suorita jokin seuraavista toimenpiteistä:

- Jos havaitset vuodon, jatka kohdassa "Kaasuvuodon sattuessa" kuvatulla tavalla.
- Jos et havaitse vuotoja, sulje kaasunsyöttö, huuhtele osat ja kuivaa ne huolellisesti.

7.6 Kaasuvuodon sattuessa

- 1 Sulje kaasunsyöttö ja suorita jokin seuraavista toimenpiteistä:
 - Jos kaasuvuoto esiintyy liitimessä, kiristä kyseinen liitin.
 - Jos kaasuvuoto esiintyy säiliössä tai letkussa, vaihda säiliö tai letku.
- 2 Tarkista liitin tai osa tämän jälkeen uudelleen.
- 3 Mikäli vuoto ei korjaannu, ota yhteys Barbecue-jälleenmyyjään. Älä käytä laitetta ennen kuin vuoto on korjattu.



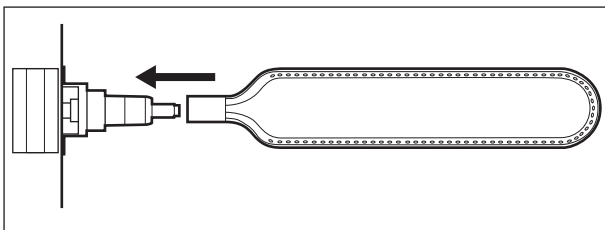
Lähellä olevien Barbecue-jälleenmyyjien luettelo löytyy osoitteesta www.barbecue.com.

8 LAITTEEN VALMISTELU

8.1 Ennen jokaista käyttökertaa

Tarkista seuraavat kohdat ennen jokaista käyttökertaa:


- Laitte on sijoitettu asianmukaiseen paikkaan. Katso "3.3 Valitse sopiva käyttöpaikka".
- Kaasuletku ei kosketa lattiaa tai altistu kuumille pinnoille tai rasvapisaraille.
- Kulho on puhdas. Suosittelemme uuden lehden[®] lisäämistä kulhoon ennen jokaista käyttökertaa. Katso "11.2 Kulhon puhdistaminen".
- Polttimet ja kaasutinputket eivät ole hyönteisten pesien tai seittien tukkimia. Katso "11.3 Poltinten ja kaasutinputkien puhdistaminen".
- Laitte on koottu oikein. Huomioi erityisesti:
 - Poltinten kannet. Jokainen kansi on asetettava asianmukaisen polttimen päälle. Katso "4.2 Poltinten kannet".
 - Poltinten kaasutinputket. Kaasutinputket on sijoitettava kaasuventtiilien aukkojen päälle.



Voit varmistua kaasuliitännän eheydestä tarkistamalla laitteen kaasuvuotojen varalta ennen jokaista käyttökertaa. Katso "7 Tarkistaminen kaasuvuotojen varalta".

8.2 Ennen ensimmäistä käyttökertaa (pitkän tauon jälkeen)

Jos käytät laitetta ensimmäistä kertaa tai pitkän tauon jälkeen, suorita seuraavat lisätarkistukset:

- Varmista, että olet lukenut kaikki tämän käyttöohjeen ohjeet ja että ymmärrät ne (ennen ensimmäistä käyttökertaa).
 - Tarkista laite kaasuvuotojen varalta. Katso "7 Tarkistaminen kaasuvuotojen varalta".
-  Tarkista laite myös kaasuvuotojen varalta, mikäli laite on jälleenmyyjän kokoama.
- Puhdista polttimet ja kaasutinputket (vain mikäli laitetta käytetään pitkän tauon jälkeen). Katso "11.3 Poltinten ja kaasutinputkien puhdistaminen".
 - Käytä laitetta ennen kuin aloitat ruoan grillaamisen (vain ennen ensimmäistä käyttökertaa). Katso "8.3 Laitteen käyttöönotto".

8.3 Laitteen käyttöönotto

Voit poistaa laitteessa olevat valmistuksen aikaiset rasvat lämmittämällä laitetta ennen ensimmäistä käyttökertaa. Toimi seuraavasti:

- 1 Sytytä pääpolttimet ja käännä niiden säätimet asentoon HIGH. Katso "9.2 Pääpolttimien sytyttäminen".
- 2 Sulje kansi ja anna laitteen lämmetä 15 minuuttia. Älä laita grillille ruokaa.
- 3 15 minuutin kuluttua voit avata kannen ja antaa laitteen lämmetä vielä 5 minuuttia (säätimet edelleen asennossa HIGH).
- 4 5 minuutin kuluttua laite on käyttövalmis. Nyt voit laittaa ruokaa grillille.

9 POLTTIMIEN SYTYTTÄMINEN



Sähkösytyttimen käyttö edellyttää AA-pariston asentamista. Paristo ei sisälly toimitukseen. Sytyttimen paristopesä löytyy laitteen kaapista.

9.1 Turvaohjeet

- Suorita kaikki kohdassa "8 Laitteen valmistelu" luetellut tarkistukset ennen laitteen sytyttämistä.
- Varmista, että kansi on aina auki poltinta sytytettäessä.
- Älä koskaan kumarru suoraan polttimen päälle sytyttäessäsi sitä.

9.2 Pääpolttimien sytyttäminen

9.2.1 SYTYTTIMEN KÄYTTÖ

- 1 Avaa kansi ja käännä pääpoltinten säätimet OFF-asentoon.
- 2 Jos et ole vielä sytyttänyt muita polttimia, avaa kaasunsyöttö ja odota 10 sekuntia. Tällä tavoin kaasu ehtii stabiloitua.
- 3 Työnnä yhden polttimen säädintä, käännä se asentoon HIGH ja pidä sitä asennossa hetken ajan. Sisäänrakennettu sytytin tuottaa kipinöitä ja sytyttää polttimen.

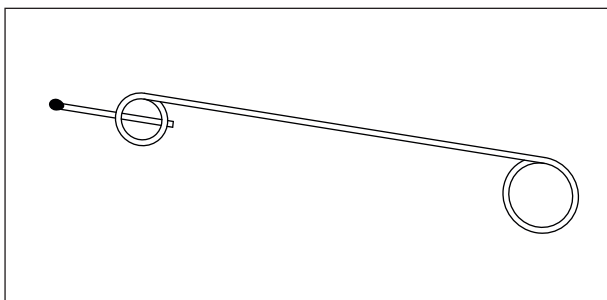


Sytytä ensin vain yksi pääpolttin. Älä koskaan sytytä kaikkia pääpolttimia samanaikaisesti.

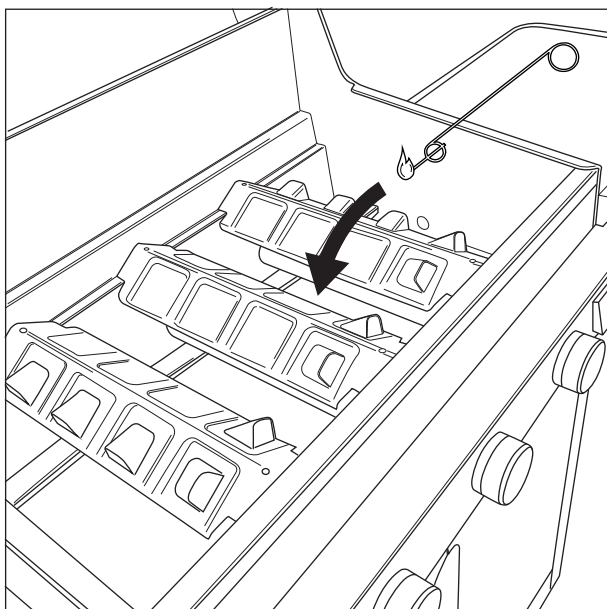
- 4 Jos poltin ei syty kolmella yrityksellä, aseta säädin OFF-asentoon, sulje kaasunsyöttö ja odota 5 minuuttia. Tällä tavoin kertynyt kaasu ehtii poistua laitteesta.
- 5 Yritä sytyttää poltin uudelleen. Mikäli poltin ei syty, voit yrittää sytyttää sen tulitikulla tai määrittää ongelman syyn katsomalla kohdan "14 Vianmääritys".


9.2.2 TULITIKUN KÄYTTÖ

- 1 Aseta tulitikku tulitikut pidikkeeseen.




- 2 Avaa kansi ja käännä pääpoltinten säätimet OFF-asentoon.
- 3 Jos et ole vielä sytyttänyt muita polttimia, avaa kaasunsyöttö ja odota 10 sekuntia. Tällä tavoin kaasu ehtii stabiloitua.
- 4 Sytytä tulitikku ja pidä sitä noin 13 mm etäisyydellä polttimesta.



- 5 Käännä yhden polttimen säädin asentoon HIGH.
-  Sytytä ensin vain yksi pääpoltin. Älä koskaan sytytä kaikkia pääpolttimia samanaikaisesti.
- 6 Jos poltin ei syty 5 sekunnin kuluessa, aseta säädin OFF-asentoon, sulje kaasunsyöttö ja odota 5 minuuttia. Tällä tavoin kertynyt kaasu ehtii poistua laitteesta.
 - 7 Yritä sytyttää poltin uudelleen. Mikäli poltin ei syty, voit määrittää ongelman syyn katsomalla kohdan "14 Vianmääritys".

9.3 Sivupolttimen sytyttäminen

-  Sivupolttimille asetettavan astian enimmäispaino on 9 kg ja enimmäisläpimitta on 220 mm.

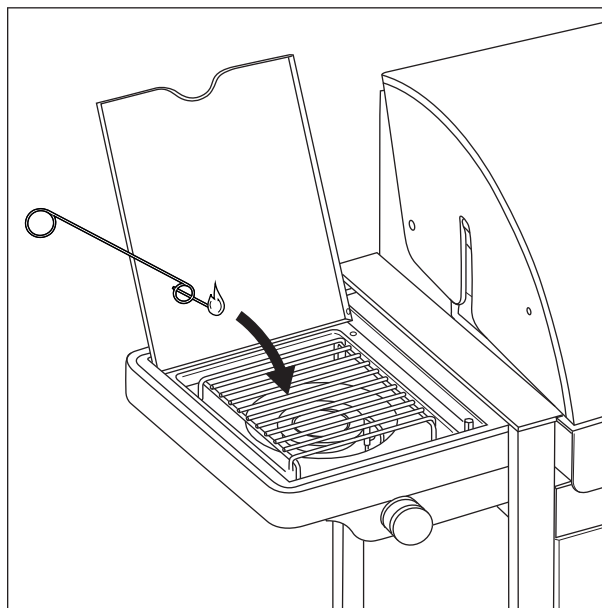
9.3.1 SYTYTTIMEN KÄYTTÖ

- 1 Avaa kansi ja käännä sivupolttimen säädin OFF-asentoon.
- 2 Jos et ole vielä sytyttänyt muita polttimia, avaa kaasunsyöttö ja odota 10 sekuntia. Tällä tavoin kaasu ehtii stabiloitua.
- 3 Työnnä sivupolttimen säädintä, käännä se asentoon HIGH ja pidä sitä asennossa hetken ajan. Sisäänrakennettu sytytin tuottaa kipinöitä ja sytyttää sivupolttimen.

- 4 Jos poltin ei syty kolmella yrityksellä, aseta säädin OFF-asentoon, sulje kaasunsyöttö ja odota 5 minuuttia. Tällä tavoin kertynyt kaasu ehtii poistua laitteesta.
- 5 Yritä sytyttää sivupoltin uudelleen. Mikäli poltin ei syty, voit yrittää sytyttää sen tulitikulla tai määrittää ongelman syyn katsomalla kohdan "14 Vianmääritys".

9.3.2 TULITIKUN KÄYTTÖ

- 1 Aseta tulitikku tulitikut pidikkeeseen.
- 2 Avaa kansi ja käännä sivupolttimen säädin OFF-asentoon.
- 3 Jos et ole vielä sytyttänyt muita polttimia, avaa kaasunsyöttö ja odota 10 sekuntia. Tällä tavoin kaasu ehtii stabiloitua.
- 4 Sytytä tulitikku ja pidä sitä noin 13 mm etäisyydellä sivupolttimesta.




- 5 Käännä sivupolttimen säädin asentoon HIGH.
- 6 Jos sivupoltin ei syty 5 sekunnin kuluessa, aseta säädin OFF-asentoon, sulje kaasunsyöttö ja odota 5 minuuttia. Tällä tavoin kertynyt kaasu ehtii poistua laitteesta.
- 7 Yritä sytyttää sivupoltin uudelleen. Mikäli poltin ei syty, voit määrittää ongelman syyn katsomalla kohdan "14 Vianmääritys".

9.4 Poltinten sammuttaminen

Sammuta polttimet aina, kun olet lopettanut niiden käytön. Toimi seuraavasti:

- 1 Sulje kaasunsyöttö.
- 2 Käännä poltinten säätimet OFF-asentoon.

-  Sulkemalla kaasunsyötön ensin varmistat, ettei laitteessa ole enää kaasua.

9.5 Polttimien sytyttäminen uudelleen

Jos poltin sammuu käytön aikana, toimi seuraavasti:

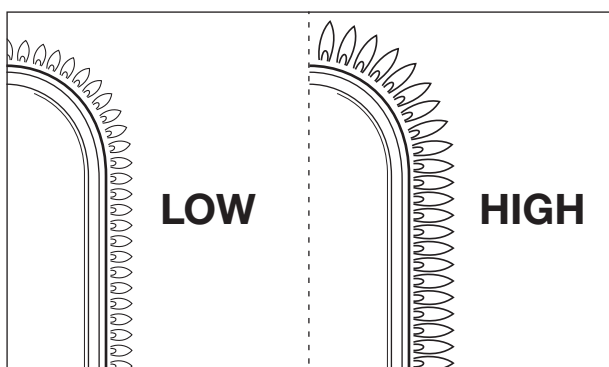
- 1 Avaa kansi ja sulje kaasunsyöttö.
- 2 Käännä kaikki säätimet OFF-asentoon ja odota 5 minuuttia.
Tällä tavoin kertynyt kaasu ehtii poistua laitteesta.
- 3 Sytytä poltin/polttimet uudelleen.

9.6 Liekkien tarkistaminen

Tarkista polttimen liekki, joka kerta kun sytytät sen. Täydellinen liekki on miltei täysin sininen ja liekin huipussa näkyy hieman keltaista. Keltaisten liekkien ajoittainen esiintyminen on täysin normaalia.

Jos liekit vaikuttavat tavanomaisesta poikkeavilta, voit korjata vian jollain seuraavista toimenpiteistä:

Jos liekit ovat...	Toimi seuraavasti...
Matalia ja täysin keltaisia	<ol style="list-style-type: none">1 Sulje kaasunsyöttö välittömästi ja käännä kaikki säätimet OFF-asentoon.2 Voit määrittää ongelman syyn katsomalla kohdan "14 Vianmääritys". Todennäköisesti kaasutinputket ovat tukossa.
Korkeampia kuin kulho	<ol style="list-style-type: none">1 Sulje kaasunsyöttö välittömästi ja käännä kaikki säätimet OFF-asentoon.2 Odota 5 minuuttia, jotta kertynyt kaasu poistuu.3 Sytytä poltin/polttimet uudelleen.4 Mikäli ongelma ei korjaannu, voit määrittää ongelman syyn katsomalla kohdan "14 Vianmääritys".



10 HYÖDYLLISIÄ VIHJEITÄ

10.1 Laitteen esilämmittäminen

Esilämmittämällä laitteen voit varmistaa, että grilli on riittävän kuuma aloittaessasi ruoan valmistuksen. Toimi seuraavasti:

- 1 Sytytä poltin/polttimet ja käännä säädin/säätimet asentoon HIGH.
- 2 Sulje kansi ja anna laitteen lämmitä kymmenen minuuttia.
- 3 Kymmenen minuutin kuluttua voit avata kannen ja laittaa ruokaa grillille.
- 4 Jos tarvitset vähemmän lämpöä, käännä säädin/säätimet pienemmälle teholle.

10.2 Ruoan tarttumisen välttäminen

Voit välttää ruoan tarttumisen grilliin seuraavasti:

- Voitele ruoka kevyesti öljyllä ennen sen laittamista grillille. Voit myös voidella grillin öljyllä.
- Esilämmitä laite. Mitä lämpimämpi grilli on, kun aloitat ruoanlaiton, sitä vähemmän ruoka tarttuu siihen.
- Älä käännä ruokaa liian nopeasti. Anna sen ensin lämmitä hieman.

10.3 Suora ja epäsuora grillaaminen

Valmistettavan ruoan tyypistä ja valmistustavasta riippuen voit grillata aineksia suoraan tai epäsuorasti:

Menetelmä	Kuvaus	Käyttö
Suora	Aseta ruoka suoraan päällä olevan polttimen päälle, säädä polttimen teho korkealle ja pidä kansi auki.	Lihan ja kasvien paistaminen
Epäsuora	Aseta ruoka päällä olevan polttimen viereen, säädä polttimen teho keskitasolle/alhaiselle tasolle ja sulje kansi.	Paistetun lihan kypsyttäminen




Kun grillaat kannen ollessa suljettuna, muista tarkkailla kannen lämpömittaria jatkuvasti liiallisen lämmön varalta. Katso "10.5 Lämpötilan tarkkailu".

10.4 Grillaaminen kannen ollessa suljettuna

Kannen sulkeminen grillauksen aikana on erittäin hyödyllistä seuraavista syistä johtuen:


- Grillin lämpötila pysyy korkeampana ja tasaisempana.
- Ruoan valmistaminen on nopeampaa ja ruoan kuivuminen voidaan välttää.
- Vähemmän leimahduksia ja vähemmän kaasunkulutusta.

 Kun grillaat kannen ollessa suljettuna, muista tarkkailla kannen lämpömittaria jatkuvasti liiallisen lämmön varalta. Katso "10.5 Lämpötilan tarkkailu".

10.5 Lämpötilan tarkkailu

Laitte sisältää tehokkaita polttimia, jotka mahdollistavat nopean lämmityksen ja vakaan lämpötilan. Jos grillaat kansi suljettuna, muista varmistaa, ettei laitteen lämpötila nouse liian korkeaksi. Tarkkaile lämpömittaria ja huomioi seuraavat ohjeet:

- Tyypillinen ruoanvalmistuslämpötila on noin 210 °C. Korkeammassa lämpötiloissa rasvapisarot ja kulhoon kertynyt rasva voi syttyä palamaan.
- Lämpötilan ei tulisi koskaan olla yli 300 °C yli 5 minuutin ajan. Liian korkea lämpötila voi johtaa laitteen vaurioitumiseen ja epämuodostumiin.

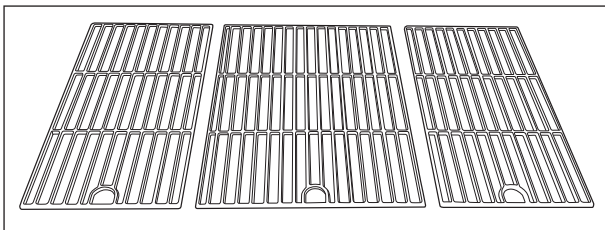
 Jos laite lämpenee liikaa, voit viilentää sitä avaamalla kannen ja laskemalla polttinten tehoa.

10.6 Lämmönkäytön optimointi

Kulhon keskiosa on kuumempi kuin kulhon laidat. Kuumimman osan tehon optimoimiseksi laite sisältää erikokoisia grillejä. Laite sisältää:

- Yhden suuren grillin, joka sijaitsee keskellä kulhoa.
- Kaksi pienempää grilliä, jotka sijaitsevat kulhon laidoilla.


Jos sijoitat grillit oikein kulhoon ja sytytät kaikki polttimet, grillin keskiosa lämpenee enimmäislämpötilaan. Tällä tavoin voit laajentaa kulhon kuuminta aluetta ja hyödyntää grillauspinnan parhaalla mahdollisella tavalla.



10.7 Lämpöalueiden hyödyntäminen

Kun kaikki polttimet ovat päällä, polttinten kannet jakavat lämpöä mahdollisimman tasaisesti ympäri grilliä. Tästä huolimatta jotkin alueet ovat kuitenkin toisia kuumempia. Voit hyödyntää lämpöalueita saadaksesi parhaan mahdollisen grillaustuloksen:

Alue	Kuuma?	Sopii...
Etuosa	Kuuma	Nopeasti valmistuville aineksille (katkaravut, kala...)
Keskiosa	Kuumempi	Hitaammin valmistuville aineksille (makkarat, kana...)
Takaosa	Kuumiin	Lihan ja kasvien paistaminen

 Voit myös luoda kuumia alueita säätämällä polttinten tehoa. Voit esimerkiksi pienentää polttimen tehoa ja käyttää sen yläpuolella olevaa aluetta nopeasti tai hitaammin kypsytävän ruoan valmistamiseen.

10.8 Leimahdusten välttäminen

Leimahdusten esiintyminen grillattaessa on täysin normaalia. Liialliset leimahdukset voivat kuitenkin nostaa laitteen lämpötilaa ja sytyttää grilliin kertyneen rasvan palamaan. Leimahdusten välttäminen:


- Varmista, että kulho on puhdas ennen kuin aloitat grillaamisen. Suosittelemme uuden lehden® lisäämistä kulhoon ennen jokaista käyttökertaa. Katso "11.2 Kulhon puhdistaminen".
- Tarkista rasvanpoistoaukko säännöllisesti tukosten varalta ja varmista, ettei rasva-alusta tai -astia ole täynnä.
- Jos grillaat rasvaista lihaa, leikkaa ylimääräinen rasva pois, sulje kansi ja säädä polttimet keskiasentoon tai alhaiseen asentoon.

11 LAITTEEN HUOLTAMINEN

11.1 Grillin puhdistaminen


On suositeltavaa puhdistaa grilli jokaisen käyttökerran jälkeen Barbecook-puhdistusaineella. Toimi seuraavasti:

- 1 Suihkuta vaahto grillille ja anna sen vaikuttaa jonkin aikaa. Vaahto värjäytyy irrottaessaan likaa ja rasvaa.
- 2 Poista vaahto pehmeällä sienellä ja vedellä ja huuhtelee grilli tämän jälkeen huolellisesti.
- 3 Kuivaa grilli huolellisesti ja varastoi kuivaan paikkaan. Tällä tavoin vältät ruosteen syntymisen.

 Voit myös puhdistaa grillin miedolla puhdistusaineella tai natriumvetykarbonaatilla. Älä koskaan käytä uuninpuhdistusaineita grillin puhdistamiseen.

11.2 Kulhon puhdistaminen

On suositeltavaa puhdistaa kulho jokaisen käyttökerran jälkeen. Voit helpottaa puhdistusta asettamalla lehden® kulhoon ennen grillaamista. Lehti® on folioarkki, joka sopii kulhoon täydellisesti ja kerää kaiken jäänteiden ja rasvan. Kun laite on jäähtynyt, voit puhdistaa kulhon yksinkertaisesti poistamalla lehden®.

 Rekisteröi laitteesi osoitteessa www.barbecook.com saadaksesi tietoa tarvitsemastasi lehdestä®.

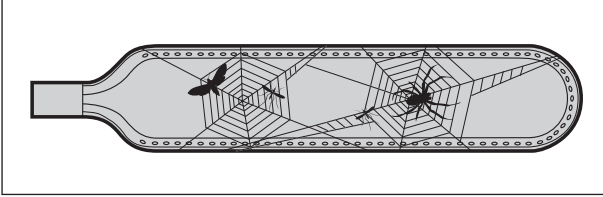
11.3 Poltinten ja kaasutinputkien puhdistaminen

11.3.1 MIKSI PUHDISTAA POLTTIMET JA KAASUTINPUTKET?

Hämähäkit ja hyönteiset voivat tehdä seittejä ja pesiä polttimiin ja kaasutinputkiin. Tämä voi estää kaasun pääsyn polttimiin.

Seuraus:

- Poltinten sytyttäminen ei onnistu. Jos poltinten sytyttäminen onnistuu, seurauksena on kuitenkin vain savuiset, keltaiset liekit.
- Kaasu voi palaa kaasutinputkien ulkopuolella lähellä säätimiä. Näitä kutsutaan leimahduksiksi, jotka voivat aiheuttaa vakavia henkilö- ja materiaalivahinkoja.



- i** Tukkeutuneista polttimista ja kaasutinputkista aiheutuvat vahingot katsotaan puutteelliseksi huolloksi eikä takuu kata niitä.

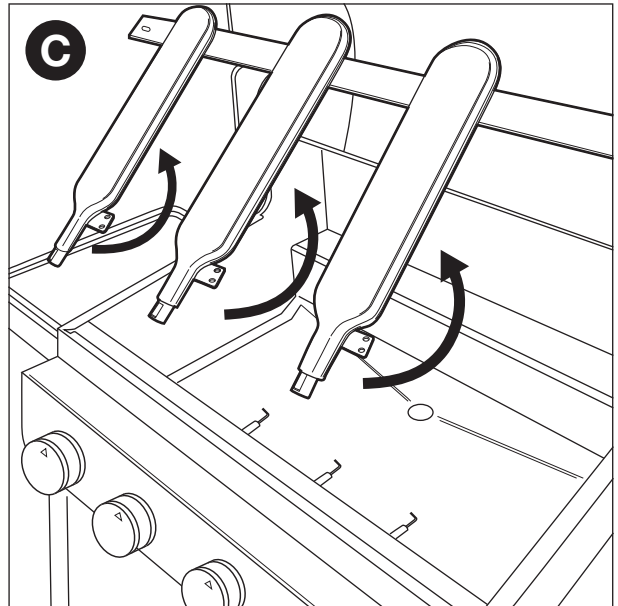
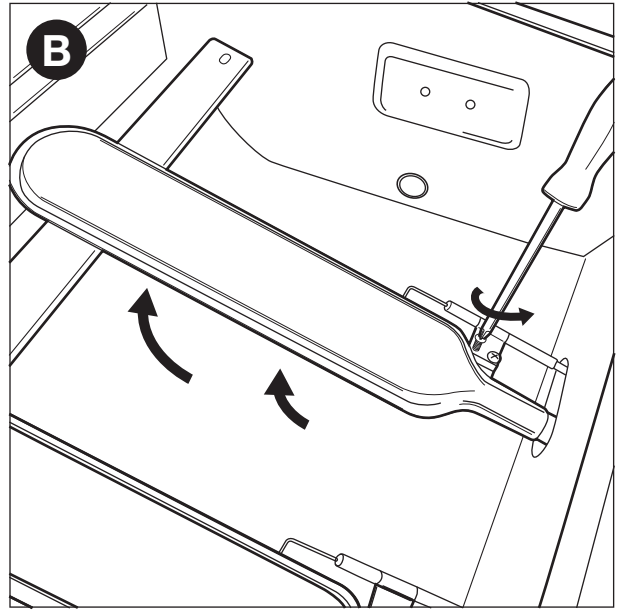
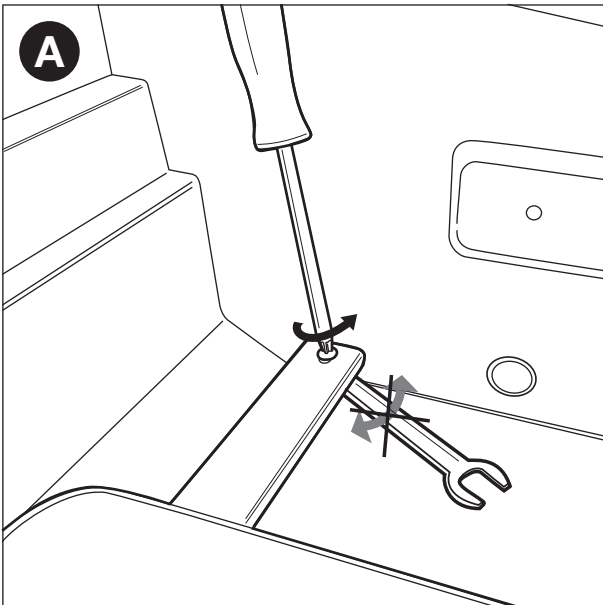
11.3.2 MILLOIN POLTTIMET JA KAASUTINPUTKET PITÄISI PUHDISTAA?

Puhdista polttimet ja kaasutinputket:

- Ennen ensimmäistä käyttökertaa ja laitteen oltua käyttämättä pitkään.
- Vähintään kahdesti vuodessa, kerran grillauskauden alussa.

11.3.3 POLTINTEN JA KAASUTINPUTKIEN PUHDISTAMINEN

- 1 Poista polttimet laitteesta kuvien osoittamalla tavalla. Jos havaitset polttimen vaurioituneen, vaihda se uuteen.




- 2 Puhdista polttimet ja kaasutinputket pienellä harjalla tai kotitekoisella piipunpuhdistimella (avattu klemmari, piippuharja...).
- 3 Aseta polttimet takaisin paikoilleen. Kaasutinputket on sijoitettava kaasuventtiilien aukkojen päälle.


11.4 Emalin, ruostumattoman teräksen, ja jauhemaalipinnoitteen huoltaminen

Tämä laite sisältää emaloituja, jauhemaalattuja sekä ruostumattomasta teräksestä valmistettuja osia. Jokainen materiaali vaatii erilaista huoltamista:

Materiaali	Materiaalin huoltaminen
Emali	<ul style="list-style-type: none">• Älä käytä teräviä esineitä äläkä kopauta emalia kovaa pintaa vasten.• Vältä emalin altistamista kylmille nesteille sen ollessa kuuma.• Voit käyttää metalliharjoja ja hankaavia puhdistusaineita.

Materiaali	Materiaalin huoltaminen
Ruostumaton teräs ja	<ul style="list-style-type: none"> Älä käytä voimakkaita, hankaavia tai metallinpuhdistusaineita. Käytä laimeampia puhdistusaineita ja anna niiden vaikuttaa teräkseen. Käytä pehmeää sientä tai liinaa. Huuhtelee huolellisesti puhdistamisen jälkeen ja kuivaa huolellisesti ennen varastointia.
Jauhemaalattu	<ul style="list-style-type: none"> Älä käytä teräviä esineitä. Käytä mietoja puhdistusaineita sekä pehmeää sientä tai liinaa. Huuhtelee huolellisesti puhdistamisen jälkeen ja kuivaa huolellisesti ennen varastointia.

 Voit välttää ruostumattoman teräksen ruostumisen välttämällä sen altistamista kloorille, suolalle ja raudalle. Tästä johtuen laitetta ei ole suositeltavaa käyttää lähellä rannikkoa, rautateitä tai uima-altaita.

 Näiden ohjeiden noudattamatta jättämisestä aiheutuvat vahingot katsotaan puutteelliseksi huolloksi eikä takuu kata niitä.

Alla oleva suurennettu kuva (oppaan toinen osa) sisältää luettelon laitteen kaikista osista. Luettelo sisältää symboleita, jotka kuvaavat jokaisen osan materiaalia. Tällä tavoin voit tarkistaa jokaisen osan huoltotavan. Osaluettelo sisältää seuraavat symbolit:

Symboli	Materiaali
●	Emali
■	Ruostumaton teräs
★	Jauhemaalattu

11.5 Laitteen varastointi

Jos et käytä laitetta pitkään aikaan, varastoi se kuivaan paikkaan. Ennen laitteen varastointia:

- Irrota kaasusäiliö. Älä varastoi sijoita laitetta sisätiloihin (edes autotalliin tai vajaan) sen ollessa liitettynä kaasusylinteriin.
- Puhdista polttimet ja ritilät, voitele ne öljyllä ja kääri ne paperiin.
- Jos laitteessasi on varraspoltin, poista varraspoltin kone ja varastoi se kuivaan paikkaan.
- Peitä laitteesi Barbecue-peitteellä. Rekisteröi laitteesi osoitteessa www.barbecue.com saadaksesi tietoa tarvitsemastasi peitteestä.

11.6 Kaasusäiliöiden varastointi

Nämä ohjeet koskevat täysiä sekä tyhjiä säiliöitä

- Säilytä kaasusäiliöitä aina ulkotiloissa, missä on hyvä ilmanvaihto. Varmista, ettei kaasusäiliöt altistu liialliselle kuumuudelle tai suoralle auringonvalolle.
- Älä koskaan säilytä kaasusäiliöitä paikassa, jonka lämpötila voi nousta erittäin korkeaksi (auto, vene...).
- Älä koskaan säilytä kaasusäiliöitä laitteen kaapissa.
- Älä koskaan säilytä varasäiliötä käytössä olevan kaasulaitteen läheisyydessä.
- Säilytä kaasusäiliöitä aina lasten ulottumattomissa.
- Säilytä ja kuljeta kaasusäiliöitä aina pystyasennossa.

11.7 Varaosien tilaaminen

Suoraan tulelle tai korkealle lämmölle altistuvat osat on vaihdettava ajoittain. Varaosan tilaaminen:

- Tarkista tarvitsemasi osan numero. Kaikkien osien viitenumerot löytyvät tämän oppaan toisesta osasta sekä osoitteesta www.barbecue.com.



Jos olet rekisteröinyt laitteesi verkossa, sinut siirretään automaattisesti oikeaan luetteloon.

- Voit tilata varaosia myyntipisteestä. Voit tilata osia sekä takuun voimassaolon aikana että sen päätyttyä.

12 TAKUU

12.1 Takuu kattaa

Laite sisältää kahden vuoden takuun, joka on voimassa ostopäivämäärästä lähtien. Tämä takuu kaikki valmistusvial, edellyttäen, että:

- Olet koonnut, käyttänyt tai huoltanut laitettasi tämän oppaan ohjeiden mukaisesti. Vääränlaisesta käytöstä, kokoonpanosta tai riittämättömästä huollosta johtuvat vauriot eivät ole valmistusvirheitä.
- Voit esittää kuittisi ja laitteen yksilöllisen sarjanumeron takuun täytäntöönpanoa varten. Numero alkaa G-kirjaimella, jota seuraa 15 numeroa. Sarjanumero löytyy:
 - Tästä käyttöoppaasta sekä oheisesta aloituspakkauksesta.
 - Laitteen pakkauksesta.
 - Laitteen oven sisäpuolella olevasta tyyppikilvestä.
- Barbecue-laadunvarmistusosasto vahvistaa, että osat ovat viallisia ja että ne ovat olleet viallisia normaalista käytöstä, kokoonpanosta ja riittävästä huollosta riippumatta.

Jos jokin seuraavista ehdoista ei täyty, et voi vedota takuuseen. Joka tapauksessa takuu rajoittuu viallisten osien korjaamiseen tai vaihtamiseen.

12.2 Takuu ei kata

Takuu ei kata seuraavia vaurioita ja vikoja:

- Suoraan tulelle tai erittäin korkeille lämpötiloille altistuneiden osien normaali kuluminen (ruostuminen, vääristyminen, värjäytyminen...). On täysin normaalia, että tällaiset osat vaativat ajoittain vaihtamista uuteen.
- Ulkomuodolliset poikkeavuudet, jotka ovat ominaisia valmistusprosessille. Nämä poikkeavuudet eivät ole valmistusvikoja.
- Kaikki riittämättömästä huollosta, vääränlaisesta säilytyksestä, vääränlaisesta kokoonpanosta tai esiasennettujen osien muokkaamisesta johtuvat vahingot.
- Kaikki laitteen väärinkäytöstä johtuvat vahingot (ts. laitteen käyttö tämän oppaan sisältämien ohjeiden vastainen käyttö, kaupallinen käyttö, jne.)
- Kaikki välilliset vahingot, jotka johtuvat laitteen huolimattomasta tai ohjeista poikkeavasta käytöstä.
- Värjäytyminen tai ruostuminen, joka johtuu ulkopuolisista tekijöistä, voimakkaiden puhdistusaineiden käytöstä, altistumisesta kloorille, jne. Nämä vauriot eivät ole valmistusvikoja.

13 TEKNISET TIEDOT

13.1 Tyypikilpi

Tyypikilpi luettelee kaikki laitteen tekniset tiedot. Sarjanumero löytyy:

- Tämän oppaan toisesta osasta.
- Laitteen oven sisäpuolelta.

13.2 Injektorien läpimitat

- Pääpoltin: 0,991 mm
- Sivupoltin: 0,88 mm

14 VIANMÄÄRITYS

Ongelma	Mahdolliset syyt	Ratkaisut
Ei riittävästi lämpöä	<ul style="list-style-type: none"> Kaasunsyöttö ei ole auki Kaasutinputkia ei ole asetettu kaasuventtiilien aukkojen päälle Polttimen aukot ovat tukossa Kaasusäiliö on (lähes) tyhjä Paineensäädintä ei ole liitetty oikein säiliöön ja/tai letkuun 	<ul style="list-style-type: none"> Avaa kaasunsyöttö Aseta kaasutinputket kaasuventtiilien aukkojen päälle Puhdista polttimen aukot tai vaihda polttimet Vaihda kaasusäiliö Liitä paineensäädin uudelleen säiliöön ja/tai letkuun
Liikaa lämpöä ja/tai leimahduksia	<ul style="list-style-type: none"> Liian rasvainen ruoka Rasvanpoistoaukko on tukossa, kulhossa ja/tai polttimissa on rasvaa Polttinten kansia ei ole asetettu oikein Liian korkea lämpötila 	<ul style="list-style-type: none"> Poista ylimääräinen rasva tai käännä polttimet alhaisemmalle teholle. Puhdista rasvanpoistoaukko, kulho ja polttimet Aseta polttinten kannet oikein Käännä polttimet alhaisemmalle teholle ja/tai grillaa ruokaa epäsuorasti
Lämpö ei jakaudu tasaisesti grillin pinnalle	<p>Tietyt lämpötilaerot ovat tavanomaisia. Katso "11.6 Lämmönkäytön optimointi" ja "11.7 Lämpöalueiden hyödyntäminen". Mahdolliset lämpöerojen syyt:</p> <ul style="list-style-type: none"> Polttinten kansia ei ole asetettu oikein Laitetta ei ole esilämmitetty 	<ul style="list-style-type: none"> Aseta polttinten kannet oikein Esilämmitä laite
Keltaiset liekit	<ul style="list-style-type: none"> Polttimet tai kaasutinputket ovat tukossa Suolaa polttimissa Laite on liitetty butaanisäiliöön 	<ul style="list-style-type: none"> Puhdista polttimet ja kaasutinputket Puhdista polttimet Liitä laite asianmukaisella paineensäätimellä varustettuun propaanisäiliöön
Riittämätön liekki	Polttin on tukossa, haljennut tai ruostunut	Puhdista tai vaihda polttin
Leimahdukset (kaasutinputkien ulkopuolella/säätimien lähellä esiintyvät liekit)	Polttimet tai kaasutinputket ovat tukossa	<ol style="list-style-type: none"> Sulje kaasunsyöttö ja aseta polttimet OFF-asentoon. Anna laitteen jäähtyä. Puhdista polttimet ja kaasutinputket.
Liekit ovat korkeampia kuin kulho	<ul style="list-style-type: none"> Kova tuuli Kaasusäiliö on (lähes) tyhjä Rasvaa kulhossa ja/tai polttimissa 	<ul style="list-style-type: none"> Aseta laite siten, että sen takaosa on tuulta kohti. Vaihda kaasusäiliö Puhdista kulho sekä polttimet ja vaihda lehti®.
Paineensäädin humisee	<ul style="list-style-type: none"> Kuuma ilma Uusi (täysi) kaasusäiliö 	Ei vaaraa tai vikaa. Pitäisi loppua itsestään hetken kuluttua.
Polttin viheltää säätimen ollessa asennossa LOW	Kaasun injektori, kaasutinputki ja/tai polttin on liikainen	Puhdista kaasun injektori, kaasutinputki ja polttin
Polttin ei syty (syttytimellä tai tulitikutilla)	<ul style="list-style-type: none"> Polttin tai kaasutinputki on tukossa Ei kaasunsyöttöä 	<ul style="list-style-type: none"> Puhdista kaasutinputki ja polttin Avaa kaasunsyöttö ja paina paineensäätimen turvakytkintä (ei sisälly kaikkiin säätimiin)
Polttin ei syty sytyttimellä	<ul style="list-style-type: none"> Paristoa ei ole asennettu tai se on asennettu väärin Polttinten johtoja ei ole asennettu oikein Elektrodi on vaurioitunut Maadoitusvika Sytytinvika 	<ul style="list-style-type: none"> Asenna paristot uudelleen oikeaa napaisuutta noudattaen Tarkista ja tee kaikki sytyttimen liitännät uudelleen Vaihda elektrodi Tarkista ja kokoa elektrodit, polttimet ja sytytin uudelleen Vaihda sytytin
Ei kipinöitä tai ääntä sytytintä painettaessa	<ul style="list-style-type: none"> Paristoa ei ole asennettu tai se on asennettu väärin Paristo on tyhjä Sytyttimen painiketta ei ole asennettu oikein Viallinen kipinägeneraattori 	<ul style="list-style-type: none"> Asenna paristot uudelleen oikeaa napaisuutta noudattaen Vaihda paristo Kokoa sytyttimen painike uudelleen Vaihda kipinägeneraattori

Ongelma	Mahdolliset syyt	Ratkaisut
Sytytintä painettaessa kuuluu vain ääntä (ei kipinöitä)	<ul style="list-style-type: none"> Maadoitusvika Poltin ja elektrodi ovat liian kaukana toisistaan 	<ul style="list-style-type: none"> Liitä kipinägeneraattori ja elektrodit uudelleen Taivuta elektrodia hieman tuodaksesi sen lähemmäs poltinta
Kipinöitä, jotka eivät ole lähtöisin polttimista	Johdotusvika	Vaihda johdot
Kipinöitä esiintyy, mutta ei kaikissa elektrodeissa, eivätkä kipinät ole riittävän tehokkaita	<ul style="list-style-type: none"> Maadoitusvika Alhainen paristovirta Märät tai rikkiäiset elektrodit 	<ul style="list-style-type: none"> Liitä kipinägeneraattori ja elektrodit uudelleen Vaihda paristo Kuivaa elektrodit paperipyyhkeellä tai vaihda ne

NO - BRUKERHÅNDBOK


1	Register apparatet ditt	170	10	Nyttige tips og triks	176
2	Om denne håndboken	170		• Forvarming av apparatet	176
3	Viktige sikkerhetsinstruksjoner	170		• Unngå at maten setter seg fast	176
	• Les og følg instruksjonene	170		• Direkte og indirekte grilling	176
	• Vær forsiktig med gass	170		• Grilling med lukket lokk	176
	• Velg en passende plassering	170		• Hold øye med temperaturen	176
	• Bruk sunn fornuft	170		• Optimal utnyttelse av varmen	176
4	Tilbakevendende begreper	170		• Å utnytte varme soner	177
	• Venturis	170		• Unngå bluss av stikkflammer	177
	• Brennerhetter	171	11	Vedlikehold av apparatet	177
	• Emalje	171		• Rengjøring av grillen	177
	• Stikkflammer	171		• Rengjøring av bollen	177
5	Montering av apparatet	171		• Rengjøring av brennere og venturis	177
	• Sikkerhetsinstruksjoner	171		• Vedlikehold av emaljerte, rustfritt stål og pulverlakkert deler	178
	• Montering av apparatet	171		• Oppbevaring av apparatet	178
6	Tilkobling av gass til apparatet	171		• Oppbevaring av gassflasker	179
	• Hvilken flaske, slange, regulator	171		• Bestilling av reservedeler	179
	• Sikkerhetsinstruksjoner	172	12	Garanti	179
	• Tilkobling av slangen til apparatet	172		• Dekket	179
	• Tilkobling av slange og flaske til regulatoren	172		• Ikke dekket	179
	• Skifte flasken	173	13	Tekniske spesifikasjoner	179
7	Sjekking for gasslekkasje	173		• Typeskilt	179
	• Hvorfor bør du sjekke om det lekker gass?	173		• Injektordiameter	179
	• Når bør du sjekke om det lekker gass?	173	14	Problemløsning	180
	• Sikkerhetsinstruksjoner	173			
	• Hvilke materialer trenger jeg?	173			
	• For å sjekke om det lekker gass	173			
	• I tilfelle av en gasslekkasje	174			
8	Klargjøring av apparatet	174			
	• Før hver bruk	174			
	• Før førstegangs bruk (etter lang tid)	174			
	• Brenne inn apparatet	174			
9	Tenning av brennerne	174			
	• Sikkerhetsinstruksjoner	174			
	• Tenning av hovedbrennere	174			
	• Tenning av sidebrenner	175			
	• Slå av brennerne	175			
	• Tenn brennere igjen	175			
	• Kontroll av flammer	176			


1 REGISTER APPARATET DITT

Takk for at du har kjøpt Barbecook apparatet! Vi er sikker på at det vil gi deg mye grillglede.

For å optimalisere din opplevelse bør du registrere apparatet på www.barbecook.com. Det tar bare noen få minutter og gir deg noen store fordeler:

- Du får tilgang til vår personlige ettersalg service. Dette gjør at du for eksempel raskt kan finne reservedeler til ditt apparat eller dra nytte av en optimal garantiservice.
- Vi kan informere deg om interessante produktoppdateringer og henvise deg til produktinformasjon og spesifikasjoner som er relevante for ditt apparat.

 For mer informasjon om registrering av apparatet ditt, se www.barbecook.com.

 Barbecook respekterer ditt privatliv. Dine opplysninger vil ikke bli solgt, distribuert eller delt med tredjeparter.

2 OM DENNE HÅNDBOKEN


Denne håndboken er sammensatt av to deler.

- Den første delen er den du leser nå. Den inneholder instruksjoner for montering, bruk og vedlikehold av apparatet ditt.
- Den andre delen begynner på side 379. Det inkluderer alle typer illustrasjoner (forstørrede utsnitt, monterings tegninger, typeskilt) av apparater som er beskrevet i denne håndboken.

3 VIKTIGE SIKKERHETSINSTRUKSJONER

3.1 Les og følg instruksjonene


Les instruksjonene før du bruker apparatet. Følg alltid bruksanvisningen nøye. Annerledes montering eller bruk av apparatet kan føre til brann og materielle skader.

 Skader forårsaket av at man ikke har fulgt disse instruksjonene (feilaktig montering, misbruk, mangelfullt vedlikehold...) er ikke dekket av garantien.

3.2 Vær forsiktig med gass

Arbeide med gass er helt trygt, men krever litt ekstra forsiktighet:

- Oppbevar alltid gassflasker utendørs, i et godt ventilert område. Sørg for at de ikke utsettes for sterk varme eller direkte sollys.
- Oppbevar aldri gassflasken eller reservegassflasken i kabinettet i apparatet.
- Når i bruk, sett gassflasken i flaskekurven på siden av apparatet.
- Oppbevar aldri ekstra gassflaske nær et gassapparatet i bruk.
- Slå alltid av gasstilførselen på gassflasken etter bruk.
- Røyk aldri i nærheten av et gassapparat i bruk eller i nærheten av en gassflasken (full/tom).

 Hvis du lukter gass, umiddelbart lukk gasstilførselen, slukk alle flammer og åpne lokket på apparatet. Hvis lukten vedvarer, ring din gassleverandør eller brannvesenet.

3.3 Velg en passende plassering

Bruk kun apparatet utendørs. Bruk innendørs, selv i en garasje eller et skur, kan føre til kullosforgiftning.

Når du velger en utendørs plassering må du alltid:

- Plassere apparatet minst tre meter fra en bygning, i et åpent og godt ventilert område.
- Pass på at det er en fri luftstrøm til brennerne og ventilasjonshullene i kabinettet til alle tider.
- Pass på at apparatet ikke er under en overhengende struktur (en veranda, et ly...) eller under løvverk.
- Sett apparatet på et fast og stabilt underlag. Aldri sett den på et kjøretøy i bevegelse (en båt, en tilhenger...).

3.4 Bruk sunn fornuft

Bruk sunn fornuft når du bruker apparatet:

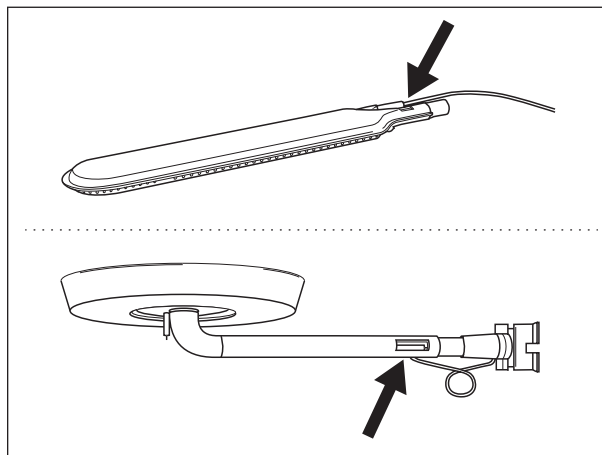
- Brukes kun utendørs.
- Ikke flytt apparatet under bruk.
- Ikke la apparatet være uten tilsyn under bruk, spesielt i nærvær av barn og dyr.
- ADVARSEL! Noen lett tilgjengelige deler kan bli svært varme. Hold småbarn unna.
- Bruk egnet beskyttelse ved håndtering av varme deler (lokk, rist...).
- Apparatet må holdes borte fra brennbare materialer under bruk.
- Hold brennbare materialer, brennbare væsker og oppløselige gjenstander vekk fra et apparat i bruk.
- Ikke bruk tre, kull, lavastein eller keramiske briketter på et gassapparat.
- Ikke bruk apparatet når du har drukket alkohol eller tatt legemidler
- Ikke modifier apparatet.

4 TILBAKEVENDENDE BEGREPER

Denne delen inneholder definisjoner av noen mindre kjente begreper. Disse begrepene brukes i flere emner i håndboken.

4.1 Venturis

Venturis er de små slangene festet til inngangen på brennerne. Ved siden av venturis er det et hull. Dette er synlig på hovedbrennerne og på sidebrenneren:



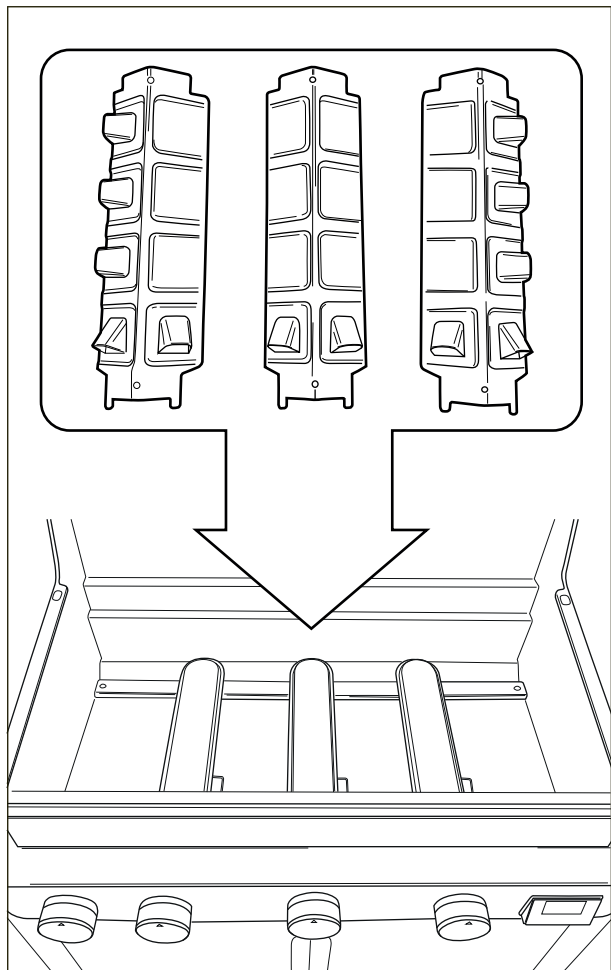
Når gassen er på vei til brennerne passerer den gjennom venturis. Takket være hullene på sidene blir gassen deretter blandet med luft, og - som et resultat - med oksygen. Dette er nødvendig for en god tenning i brennerne: bare den korrekte blandingen av gass og oksygen vil tenne riktig, og vil resultere i fine flammer.

4.2 Brennerhetter

Brennerhettene er de hettene som du monterer over brennerne i apparatet. De beskytter brennerne fra dryppende fett og spiller en viktig rolle i Turbo Heating System. De overbygde hullene på sidene av hettene fordeler varmen over grillen, slik at den varmes mye raskere og mer jevnt.



Vær spesielt oppmerksom på brennerhettene ved montering av apparatet. Turbo Heating System kan bare fungere ordentlig hvis hver hette er montert over riktig brenner.



4.3 Emalje

Noen deler av apparatet er dekket av et lag av smeltet glass, kalt emalje. Denne emaljen beskytter det underliggende metall mot korrosjon. Emalje er et kvalitetsmateriale: det er motstandsdyktig mot rust, reduseres ikke under påvirkning av høye temperaturer og er veldig lett å vedlikeholde.



Fordi emaljen er mindre fleksibel enn metallet den dekker, kan biter av emaljen skalle av hvis du håndterer apparatet feil. For å unngå problemer, vær forsiktig når du monterer emaljerte deler og vedlikehold alltid emaljen slik som beskrevet nærmere i denne håndboken.

4.4 Stikkflammer

Bluss av stikkflammer plutselige flammer som gnistrer fra bollen når du griller. De er som regel forårsaket av dryppende fett eller marinade.

5 MONTERING AV APPARATET

5.1 Sikkerhetsinstruksjoner

- Ikke modifier apparatet ved montering. Det er meget farlig og ikke tillatt å endre deler som er forhåndsmonterte og/eller forseglede av produsenten.
- Følg alltid monteringsanvisningen nøye.
- Brukeren er ansvarlig for korrekt montering av apparatet. Skader forårsaket av feil montering dekkes ikke av garantien.

5.2 Montering av apparatet

Du trenger en stjerneskrutrekker, en flat skrutrekker og et AA-batteri (elektrisk tenner). Hvis apparatet leveres med en spydbrenner, trenger du også to D-batterier (spydbrennermotor). Disse batteriene kommer ikke med apparatet.

- Sett apparatet på en flat og ren overflate.
- Monter apparatet, som vist på monteringstegningene. Du finner monteringstegninger i den andre delen av denne håndboken, etter det forstørrede bildet av apparatet ditt.



Vær forsiktig når du monterer emaljerte deler. Verktøyene og skruer kan skade emaljen. Bruk de medfølgende fiberskivene for å beskytte emaljen rundt skruene.



Blisterpakninger kan inneholde flere skruer enn nødvendig. Skruer kan bli til overs etter montering.

6 TILKOBLING AV GASS TIL APPARATET

6.1 Hvilken flaske, slange, regulator

Før du kan koble gasstilførselen til apparatet, må du kjøpe en gassflaske, slange og trykkregulator. Alltid kjøp materialer som oppfyller alle nasjonale standarder og med gasstype(r) og nominelt trykk som angitt på apparatet.

Tabellen nedenfor viser hvilken gassflaske, slange og regulator du må bruke. I Belgia (BE), for eksempel, må du bruke en propanflaske med en slange og regulator på 37 mbar eller butanflasker med en slange og regulator på 28-30 mbar.

Land	Flaske, slange, regulator
DK, GR, NO, SE, EE, LT, LV, CZ, PL, MT, HU, SI, SK	Propan, 30 mbar / Butan, 30 mbar
ES, GB, IE, PT, BE, FR, LU, IT	Propan, 37 mbar / Butan, 28-30 mbar
NL	Propan, 30 eller 50 mbar / Butan, 30 mbar
CY	Propan, 30 eller 37 mbar / Butan, 28-30 mbar



Vi anbefaler tilkobling av propan til apparatet. Propan har en høykvalitets forbrenning og er mindre følsom for frost.



Kjøp din trykkregulator og gassflaske sammen. Ikke alle regulatorer passer alle flasker.


6.2 Sikkerhetsinstruksjoner

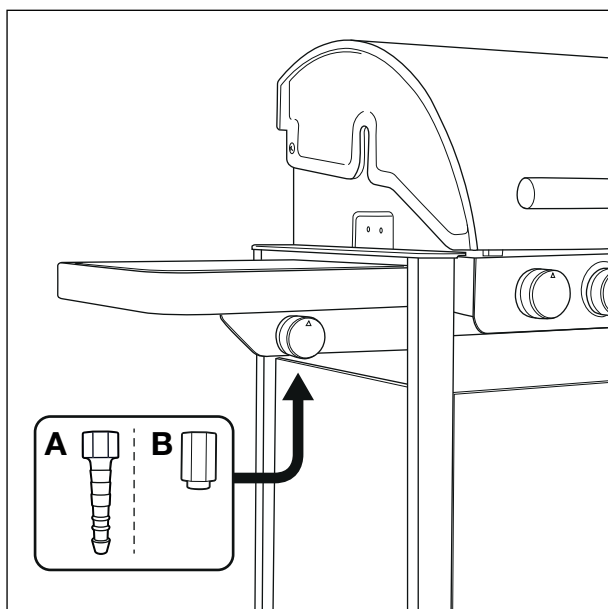
- Koble aldri gassflasken direkte til apparatet. Alltid monter en trykkregulator på gassflasken først.
- Modifiser aldri forhåndsmonterte eller forseglede deler på gassflasken, slangen eller trykkregulatoren.
- Hold slangen så kort som mulig (500 - 650 mm maksimum) for å hindre den fra å dras på bakken.
- Mens du tilkobler gassflasken, slange og trykkregulator:
 - Aldri vri slangen.
 - Hold alltid flasken i oppreist stilling.
 - Aldri åpne gasstilførselen.
- Sjekk for lekkasjer hver gang du gjør endringer i gasstilkobling. Se "7 Sjekking for gasslekkasje".

6.3 Tilkobling av slangen til apparatet

For å koble gasslangen til apparatet, må du montere en kobling på gasslangen på apparatet. Apparatet leveres med to koblinger, begge beregnet på spesifikke land:

Land	Tilkobling
BE, CH, CZ, DK, ES, FI, GB, IE, IT, PT, SI	Kobling A
FR	Kobling B

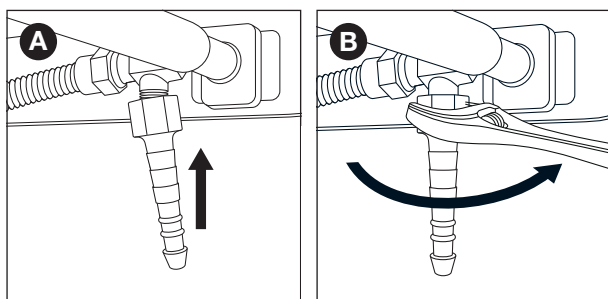
 Hvis ditt land ikke er i tabellen, bruker koblingen som er i samsvar med nasjonale standarder.



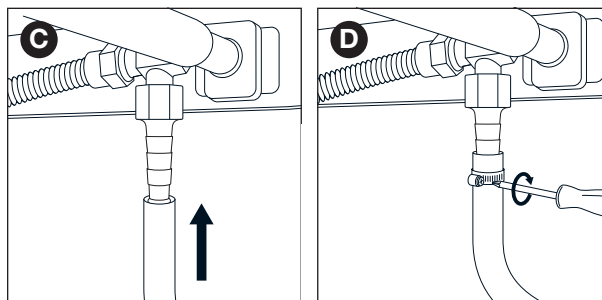
6.3.1 KOBLING A

Du trenger en 19 mm fastnøkkel og en stjerneskrutrekker.

- 1 Skru koblingen på gasslangen av apparatet (A) og skru det fast med en 19 mm fastnøkkel (B).



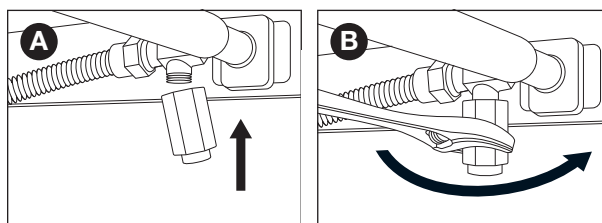
- 2 Skyv slangen over koblingen (C) og stram klemringen med en stjerneskrutrekker (D).



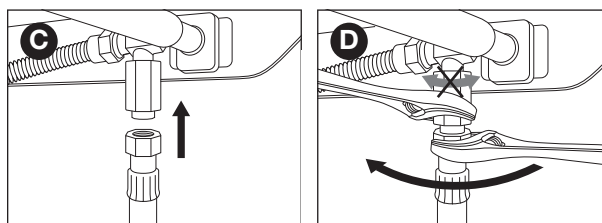
6.3.2 KOBLING B

Du trenger en 22 mm fastnøkkel og en skiftenøkkel.

- 1 Skru koblingen på gasslangen av apparatet (A) og skru det fast med en 22 mm fastnøkkel (B).



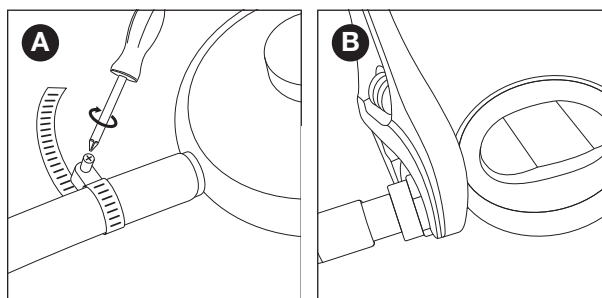
- 2 Skru gasslangen på koblingen (C) og skru den fast med to fastnøkler. Hold koblingen med en 22 mm fastnøkkel, mens du dreier slangen med en skiftenøkkel (D).



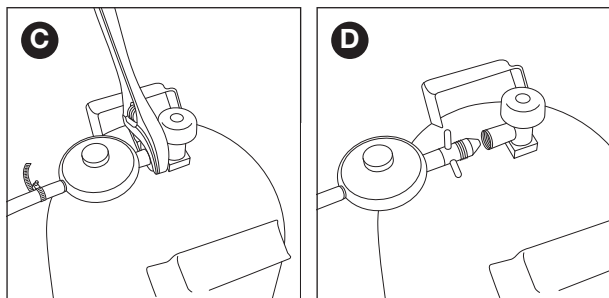
6.4 Tilkobling av slange og flaske til regulatoren

Avhengig av hvilken type trykkregulator du bruker, trenger du en stjerneskrutrekker og/eller en skiftenøkkel.

- 1 Koble slangen til trykkregulatoren. Gjør ett av følgende:
 - Dersom slangen har en klemring, skyv slangen over regulatoren og stram klemringen med en stjerneskrutrekker (A).
 - Dersom slangen har en mutter, skru slangen på regulatoren og trekk til mutteren med en skiftenøkkel (B).



- 2 Koble trykkregulatoren til gassflasken. Gjør ett av følgende:
 - Dersom regulatoren har en mutter, skru regulatoren med urviseren på flasken og stram til mutteren med en skiftenøkkel (C).
 - Hvis regulatoren har skruegjenge, skru regulatoren mot urviseren på gassflasken (D).



6.5 Skifte flasken

- 1 Steng gasstilførselen og sett alle kontrollbryterne til AV.
- 2 Koble fra den tomme flasken og koble til den fulle flasken.
- 3 Sjekk flasken, slangen og alle gasstilkoblinger for lekkasjer. Se "7 Sjekking for gasslekkasje".


7 SJEKING FOR GASSLEKKASJE

7.1 Hvorfor bør du sjekke om det lekker gass?

Propan og butan er tyngre enn luft. Som en resultat, flyter de ikke bort når det lekker fra apparatet. Spesielt på vindstille dager, kan en lekkasje føre til at gassen samler seg i og rundt apparatet. Akkumulert gass kan deretter antennes og eksplodere.

7.2 Når bør du sjekke om det lekker gass?

- Før førstegangs bruk eller før første bruk etter en lang periode uten bruk.

 Sjekk også for gasslekkasjer hvis apparatet ble montert av forhandleren.

- Hver gang du bytter en gasskomponent.
- Minst en gang i året, helst i begynnelsen av sesongen.

7.3 Sikkerhetsinstruksjoner

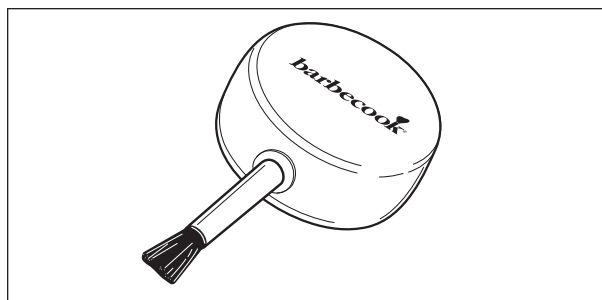
- Sett apparatet utendørs, i et godt ventilert område. Pass på at det ikke er noen flammer eller varmekilder i nærheten av apparatet.
- Bruk aldri en lighter eller fyrstikker for å sjekke om det lekker gass.
- Ikke røyk og ikke tenn brennerne når du sjekker for gasslekkasjer.

7.4 Hvilke materialer trenger jeg?

For å sjekke om det lekker gass, trenger du:

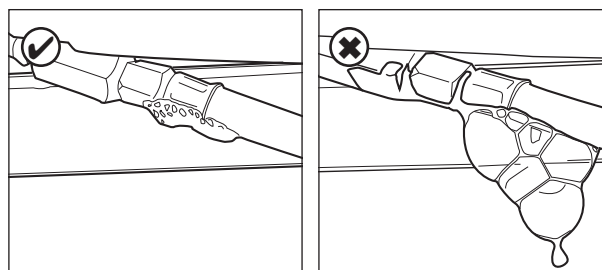
- En testvæske. Du kan bruke en ferdiglaget lekkasjespray eller en blanding av vann (50%) og oppvasksåpe (50%).

- Lekkasjetestverktøyet som fulgte med apparatet. Du bruker den til å suge opp test væsken og anvende den på gasskomponenten eller tilkoblingen som du ønsker å sjekke.



7.5 For å sjekke om det lekker gass

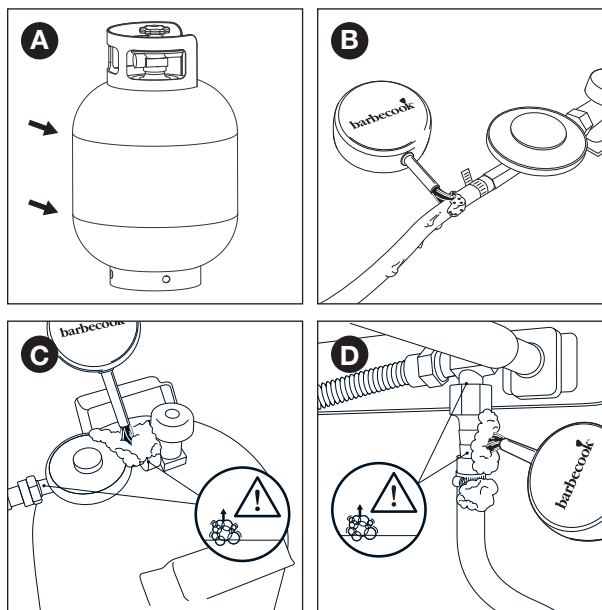
Du sjekker for gasslekkasjer ved å bruke en testvæske til alle gasskomponenter og tilkoblinger. Hvis boblene på en bestemt komponent eller tilkobling vokser, er det en gasslekkasje:



For å sjekke om det lekker gass, gjør som følger:

- 1 Sett apparatet utendørs.
- 2 Bruk lekkasjetestverktøy og testvæske (lekkasjespray eller vann/såpe blanding).
- 3 Åpne lokket og sette alle kontrollbryterne til AV.
- 4 Åpne gasstilførselen litt. Drei ventilen på gassflasken bare én gang.
- 5 Suge opp litt testvæske med lekkasjetestverktøyet og anvende den på det området du ønsker å sjekke. Du må sjekke:

- Sveisene på gassflasken (A)
- Slangen (B)
- Forbindelsene mellom flasken og trykkregulatoren, og mellom trykkregulatoren og slangen (C)
- Forbindelsen mellom slangen og apparatet (D)



i Din trykkregulator og kobling kan være forskjellig fra de i illustrasjonene.

6 Gjør ett av følgende:

- Hvis du oppdager en lekkasje, fortsett som beskrevet i "I tilfelle av en gasslekkasje".
- Hvis det ikke er noen lekkasjer, lukk gassforsyningen, skylle alle komponenter grundig med vann og tørk dem godt.

7.6 I tilfelle av en gasslekkasje

1 Steng gasstilførselen og gjør ett av følgende:

- Hvis du oppdaget en lekkasje på en av tilkoblingene, stramme den tilkoblingen.
- Hvis du oppdaget en lekkasje på flaske eller slange, skift ut flasken eller slangen.

2 Kontroller tilkoblingen eller komponenten der du oppdaget lekkasjen.

3 Hvis lekkasjen ikke blir reparert, ta kontakt med en Barbecue forhandler. Ikke bruk apparatet før lekkasjen er reparert.

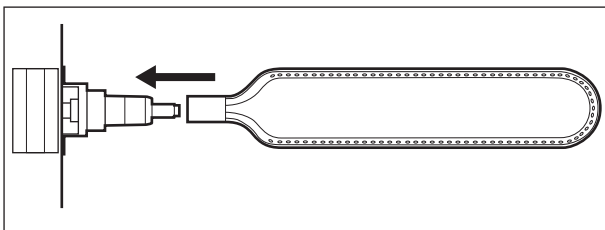
i For en liste over nærliggende Barbecue forhandlere, se www.barbecue.com.

8 KLARGJØRING AV APPARATET

8.1 Før hver bruk

Hver gang du bruker apparatet, må du kontrollere at:

- Apparatet befinner seg på et egnet sted. Se "3.3 Velg en passende plassering".
- Gaslangen ikke dras på bakken og kan ikke komme i kontakt med en varm overflate eller med dryppende fett.
- Bollen er ren. Vi anbefaler å sette inn en ny Leaf® i bollen før hver bruk. Se "11.2 Rengjøring av bollen".
- Brennerne og venturis ikke er blokkert av insektreder eller spindelvev. Se "11.3 Rengjøring av brennere og venturis".
- Apparatet er montert riktig. Vær spesielt oppmerksom på:
 - Brennerhettene. Hver hette må være plassert over den korrekte brenneren. Se "4.2 Brennerhetter".
 - Venturis av brennerne. De må være plassert over gassventilåpningene.



i Hvis du ønsker å være helt sikker på at din gasstilkobling er i orden, kan du sjekke apparatet ditt for gasslekkasjer før hver bruk. Se "7 Sjekking for gasslekkasje".

8.2 Før førstegangs bruk (etter lang tid)

Hvis du bruker apparatet for første gang, eller for første gang etter en lang periode uten bruk, må du utføre noen ekstra kontroller:

- Kontroller at du har lest, forstått og sjekket alle instruksjonene i denne manualen (kun før førstegangs bruk).
- Kontroller apparatet for gasslekkasjer. Se "7 Sjekking for gasslekkasje".

! Sjekk også for gasslekkasjer hvis apparatet ble montert av forhandleren.

- Rengjør brennerne og venturis (bare før første bruk etter lang tid). Se "11.3 Rengjøring av brennere og venturis".
- Brenn inn apparatet før du legger noe mat på den (bare før førstegangs bruk). Se "8.3 Brenne inn apparatet".

8.3 Brenne inn apparatet

Ved å brenne inn apparatet før førstegangs bruk, fjerner du gjenværende produksjonsfett fra apparatet. Gjør som følger:

- 1 Tenn hovedbrennere og sett kontrollbryterne til HØY. Se "9.2 Tenning av hovedbrennere".
- 2 Lukk lokket og la apparatet brenne i 15 minutter. Ikke legg noe mat på grillen ennå.
- 3 Etter 15 minutter, åpne lokket og la apparatet brenne i ytterligere 5 minutter (kontrollbrytere fortsatt satt til HØY).
- 4 Etter fem minutter, er apparatet klar til bruk. Du kan nå legge maten på grillen.

9 TENNING AV BRENNERNE

i For å tenne brennerne med den elektriske tenneren, må du installere et AA-batteri i tenneren. Dette batteriet kommer ikke med apparatet. Du finner tennerens batteriholder inne i apparatets kabinett.

9.1 Sikkerhetsinstruksjoner

- Før du tenner apparatet, utfør hele sjekklisten i "8 Klargjøring av apparatet".
- Sørg for at lokket er alltid åpen når du tenner en brenner.
- Aldri bøy deg direkte over en brenner når du tenner den.

9.2 Tenning av hovedbrennere

9.2.1 BRUKE TENNEREN

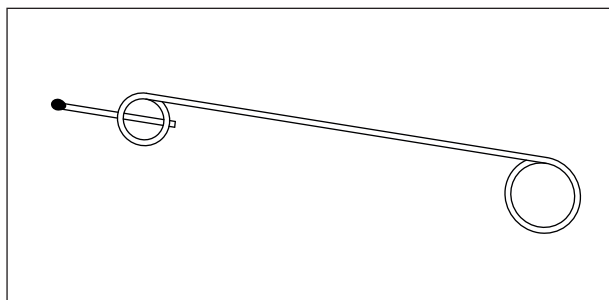
- 1 Åpne lokket og sett kontrollbryterne til hovedbrennerne til AV.
- 2 Dersom ingen andre brenneren er tent ennå, åpne gasstilførselen og vent ti sekunder. Dette gjør det mulig for gassen å stabilisere seg.
- 3 Trykk inn kontrollbryteren til en brenner, sett den til HØY og hold den et øyeblikk. Den innebygde tenneren vil forårsake gnister som vil tenne brenneren.

! Alltid tenn en hovedbrenner først. Tenn aldri alle hovedbrennerne samtidig.

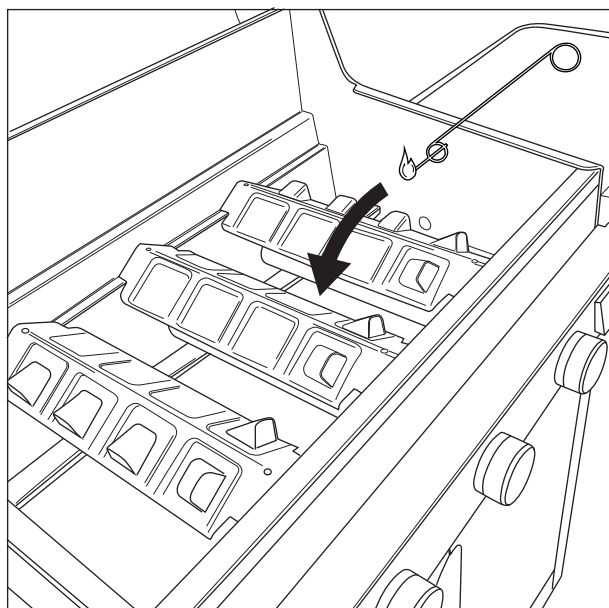
- 4 Hvis brenneren ikke tennes etter tre forsøk, sett kontrollknappen til AV, lukk gasstilførselen og vent 5 minutter. Dette gjør at eventuell akkumulert gass kan unnslippe.
- 5 Forsøk å tenne brenneren igjen. Dersom den fortsatt ikke tenner, prøv å tenne den med en fyrstikk eller se "14 Problemløsning" for å finne årsaken til problemet.

9.2.2 BRUK EN FYRSTIKK


- 1 Plasser en fyrstikk inn i fyrstikkholderen.




- 2 Åpne lokket og sette kontrollbryterne til hovedbrennerne til AV.
- 3 Dersom ingen andre brenneren er tent ennå, åpne gasstilførselen og vent ti sekunder. Dette gjør det mulig for gassen å stabilisere seg.
- 4 Tenn fyrstikken og hold den ca 13 mm fra brenneren.



- 5 Sett kontrollbryteren til en av brennerne til HØY.

-  Alltid tenn en hovedbrenner først. Tenn aldri alle hovedbrennerne samtidig.
- 6 Hvis brenneren ikke tennes innen 5 sekunder, sett kontrollknappen til AV, lukk gasstilførselen og vent 5 minutter. Dette gjør at eventuell akkumulert gass kan unnslippe.
 - 7 Forsøk å tenne brenneren igjen. Hvis problemet vedvarer, referer til "14 Problemløsning" for å fastslå årsaken til problemet.

9.3 Tenning av sidebrenner

-  Sidebrenneren kan kun bære en belastning med en maksimal vekt på 9 kg og en maksimal diameter på 220 mm.

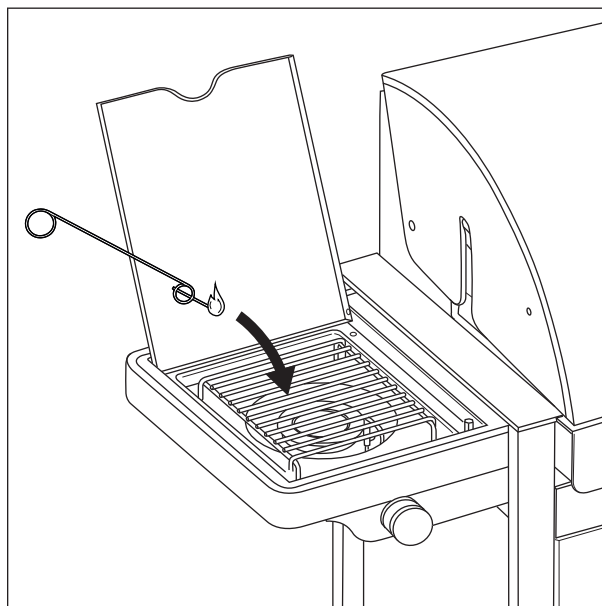
9.3.1 BRUKE TENNEREN

- 1 Åpne lokket og sette kontrollbryterne til sidebrennerne til AV.
- 2 Dersom ingen andre brenneren er tent ennå, åpne gasstilførselen og vent ti sekunder. Dette gjør det mulig for gassen å stabilisere seg.
- 3 Trykk inn kontrollbryteren til sidebrenneren, sett den til HØY og hold den et øyeblikk. Den innebygde tenneren vil forårsake gnister som vil tenne sidebrenneren.

- 4 Hvis brenneren ikke tennes etter tre forsøk, sett kontrollknappen til AV, lukk gasstilførselen og vent 5 minutter. Dette gjør at eventuell akkumulert gass kan unnslippe.
- 5 Forsøk å tenne sidebrenneren igjen. Dersom den fortsatt ikke tenner, prøve å tenne den med en fyrstikk eller se "14 Problemløsning" for å finne årsaken til problemet.

9.3.2 BRUK EN FYRSTIKK

- 1 Plasser en fyrstikk inn i fyrstikkholderen.
- 2 Åpne lokket og sette kontrollbryterne til sidebrennerne til AV.
- 3 Dersom ingen andre brenneren er tent ennå, åpne gasstilførselen og vent ti sekunder. Dette gjør det mulig for gassen å stabilisere seg.
- 4 Tenn fyrstikken og hold den ca 13 mm fra sidebrenneren.




- 5 Sett kontrollbryteren til sidebrenneren til HØY.
- 6 Hvis sidebrenneren ikke tennes innen 5 sekunder, sett kontrollknappen til AV, lukk gasstilførselen og vent 5 minutter. Dette gjør at eventuell akkumulert gass kan unnslippe.
- 7 Forsøk å tenne sidebrenneren igjen. Hvis problemet vedvarer, referer til "14 Problemløsning" for å fastslå årsaken til problemet.

9.4 Slå av brennerne

Dersom du ikke lenger bruker brennerne, må du slå dem av. Gjør som følger:

- 1 Steng gasstilførselen.
- 2 Sett kontrollbryterne til brennerne til HØY.

-  Ved å stenge gasstilførselen først, sikrer du deg at det ikke er gass igjen i apparatet.

9.5 Tenn brennere igjen

Dersom en brenner går ut under bruk, gjør som følger:

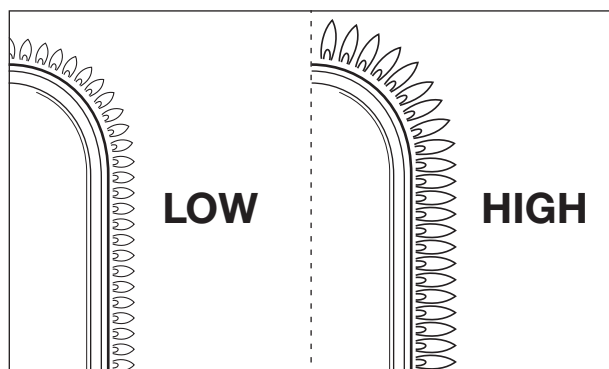
- 1 Åpne lokket og steng gasstilførselen.
- 2 Sett alle kontrollbryterne til AV og vent 5 minutter. Dette gjør at eventuell akkumulert gass kan unnslippe.
- 3 Tenn brenner(e) igjen.

9.6 Kontroll av flammer

Hver gang du tenner en brenner, må du sjekke flammene. En perfekt flamme er nesten fullstendig blå, med litt gult på toppen. Sporadiske gule flammer er normalt og ikke skadelig.

Hvis det er noe galt med flammene, gjør du ett av følgende for å løse problemet:

Hvis flammene er...	Gjør følgende...
Lav og helt gul	<ol style="list-style-type: none">Lukk straks gasstilførselen og sett alle kontrollbryterne til AV.Referer til "14 Problemløsning" for å fastslå årsaken til problemet. Mest sannsynlig er venturis blokkert.
Høyere enn bollen	<ol style="list-style-type: none">Lukk straks gasstilførselen og sett alle kontrollbryterne til AV.Vent fem minutter slik at eventuell akkumulert gass kan unnslipe.Tenn brenner(e) igjen.Hvis problemet vedvarer, se "14 Problemløsning" for å fastslå årsaken til problemet.



10 NYTTIGE TIPS OG TRIKS

10.1 Forvarming av apparatet

Ved forvarming av apparatet, sørger du for at grillen er varm nok når du legger mat på den. Gjør som følger:

- Tenn brenner(e) og sett kontrollbryter(ne) til HØY.
- Lukk lokket og la apparatet brenne i 10 minutter.
- Etter ti minutter, åpne lokket og legg maten på grillen.
- Dersom du trenger mindre varme nå, sett kontrollbryter (ne) til en lavere stilling.

10.2 Unngå at maten setter seg fast


For å forhindre at maten fester seg til grillen:

- Olje maten lett med en kost før du legger det på grillen. Du kan også olje selve grillen.
- Forvarm apparatet. Jo varmere grillen er når du legger maten på, jo mindre vil maten feste seg.
- Ikke snu maten for fort. La den bli litt varm først.

10.3 Direkte og indirekte grilling

Avhengig av hvilken type mat du forbereder og hvordan du ønsker å forberede den, kan du grille direkte eller indirekte:


Metode	Beskrivelse	Bruk
Direkte	Legg maten direkte over et tent brenner, sett den brenneren til en høy innstilling og hold lokket åpent.	Å svi av kjøtt og grønnsaker
Indirekte	Legg maten ved siden av en tent brenner, sett den brenneren til en middels/lav innstilling og lukk lokket.	For ytterligere å steke avsvidd kjøtt

 Ved grilling under et lukket lokk, hold alltid et øye med lokktermometeret for å sørge for at apparatet ikke blir for varmt. Se "10.5 Hold øye med temperaturen".

10.4 Grilling med lukket lokk

Lukking av lokket mens du griller har noen viktige fordeler:


- Temperaturen i grillen er høyere og forblir mer konstant.
- Du reduserer steketiden for mat og holder maten mer saftig.
- Du reduserer stikkflammer og sparer gass.

 Ved grilling under et lukket lokk, hold alltid et øye med lokktermometeret for å sørge for at apparatet ikke blir for varmt. Se "10.5 Hold øye med temperaturen".

10.5 Hold øye med temperaturen

Apparatet er utstyrt med kraftige brennerne, slik at det varmes opp raskt, og du kan holde temperaturen jevn. Ved grilling under et lukket lokk, derimot, må du forsikre deg om at apparatet ikke blir for varmt. Hold et øye med lokktermometeret og ta hensyn til følgende retningslinjer:

- En normal steketemperatur er omtrent 210 °C. Ved høyere temperaturer, kan drypping og akkumulert fett antennes.
- Temperaturen bør aldri være over 300 °C i mer enn fem minutter. Dette kan skade og deformere apparatet.

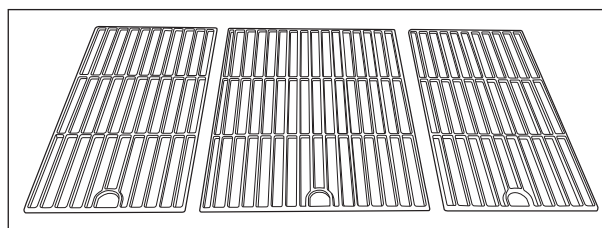
 Hvis apparatet blir for varmt, avkjøl det ved å åpne lokket og sette brennerne til en lavere innstilling.

10.6 Optimal utnyttelse av varmen

Den sentrale delen av bollen er varmere enn sidene. For å gi deg mulighet til å bruke den varmeste delen til sitt fulle potensial, er apparatet utstyrt med rister i forskjellige størrelser. Den leveres med:

- En stor rist, som skal plasseres i sentrum av skålen.
- To mindre rister, som skal plasseres på sidene av bollen.


Hvis du plasserer ristene riktig i bollen og tenner alle brennerne, vil hele den sentrale delen av grillen varmes opp til det maksimale. Slik utvider du varmeste delen av bollen, og du har optimal utnyttelse av grilloverflatene.



10.7 Å utnytte varme soner

Når alle brennerne er tent, fordeler brennerhettene varmen så jevnt som mulig over grillen. Til tross for denne jevne oppvarmingen, er noen soner fortsatt varmere enn andre. Du kan utnytte disse varme sonene til å grille maten til perfektjon:

Sone	Varm?	Bruk til...
Front	Varm	Grill delikat mat (reker, fisk ...)
Senter	Varmere	Tilbered mat som trenger litt tid til å steke (f.eks pølser, kylling-lår...)
Bak	Varmest	Svi av kjøtt og grønnsaker

 Du kan også lage varme soner ved å leke med effekten på brennerne. Du kan for eksempel sette en brenner til en lavere stilling og bruke sonen over den brenneren for delikat mat eller mat som trenger litt tid til å steke.

10.8 Unngå bluss av stikkflammer

Under grilling, er bluss av stikkflammer normalt. For mange stikkflammer vil imidlertid øke temperaturen i bollen og kan antenne oppsamlet fett. For å unngå bluss av stikkflammer:


- Pass på at bollen er ren før du begynner å grille. Vi anbefaler å sette inn en ny Leaf® i bollen før hver bruk. Se "11.2 Rengjøring av bollen".
- Sjekk jevnlig at fett dreneringshullet ikke er blokkert, og at fettopsamlingspannen eller kopp ikke er full ennå.
- Ved grilling av fett kjøtt, trim overflødig fett, lukk lokket og satt brennerne til en middels eller lav posisjon.

11 VEDLIKEHOLD AV APPARATET

11.1 Rengjøring av grillen


Vi anbefaler rengjøring av grillen etter hver bruk med Barbecue cleaner. Gjør som følger:

- 1 Spray skummet på grillen og la det virke en stund.
Skummet blir misfarget, ettersom det absorberer skitt og fett.
- 2 Fjern skummet med en myk svamp og vann og skyll grillen grundig.
- 3 Tørk grillen godt og oppbevar den på et tørt sted. Dette hindrer dannelse av rust.

 Du kan også rengjøre grillen med et mykt vaskemiddel eller med natrium bikarbonat. Bruk aldri ovnsrens på grillen.

11.2 Rengjøring av bollen

Vi anbefaler å rense bollen etter hver bruk. Den enkleste måten å gjøre dette på er å legge en Leaf® i bollen før du starter å grille. Leaf® er en folie som passer bollen perfekt og som fanger opp alle rester og fett. Når apparatet er nedkjølt, bare fjern Leaf® og bollen er ren.

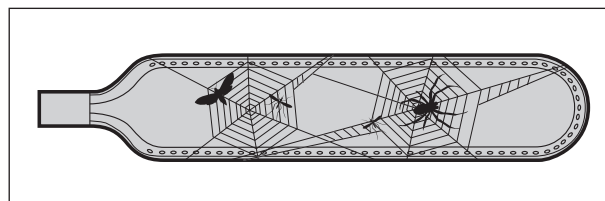
 Registrer apparatet ditt på www.barbecue.com for å finne ut hvilken type Leaf® du trenger.


11.3 Rengjøring av brennere og venturis

11.3.1 HVORFOR RENGJØRE BRENNERNE OG VENTURIS?

Edderkopper og insekter kan lage nett og reir i brennerne og venturis. Dette kan blokkere gasstilførselen til brennerne. Som et resultat:

- Du kan ikke tenne brennerne. Dersom du klarer å tenne dem likevel, de vil bare produsere røykfyllt og gule flammer.
- Gassen kan begynne å brenne utenfor venturis, på kontrollbryterne. Disse brannene kalles tilbakeslag og kan resultere i alvorlige personskader og materielle skader.



 Skader forårsaket av blokkerte brennere og venturis anses som utilstrekkelig vedlikehold og blir dermed ikke dekket av garantien.

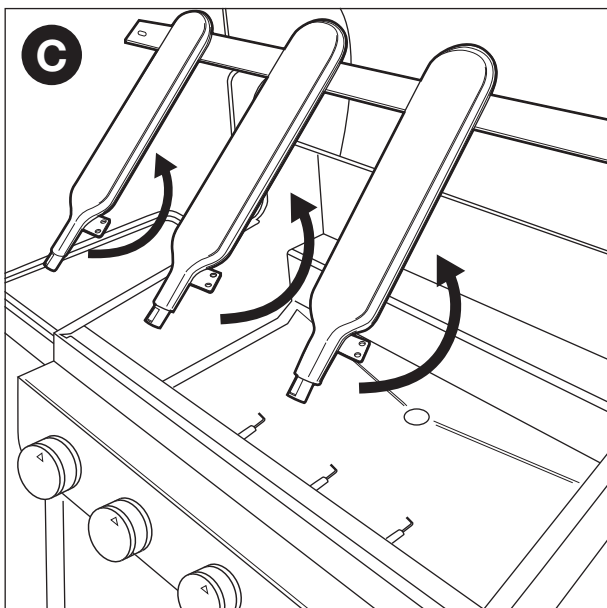
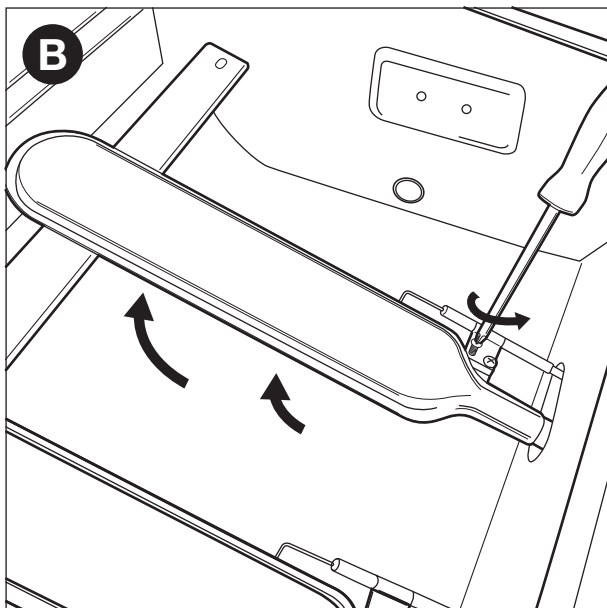
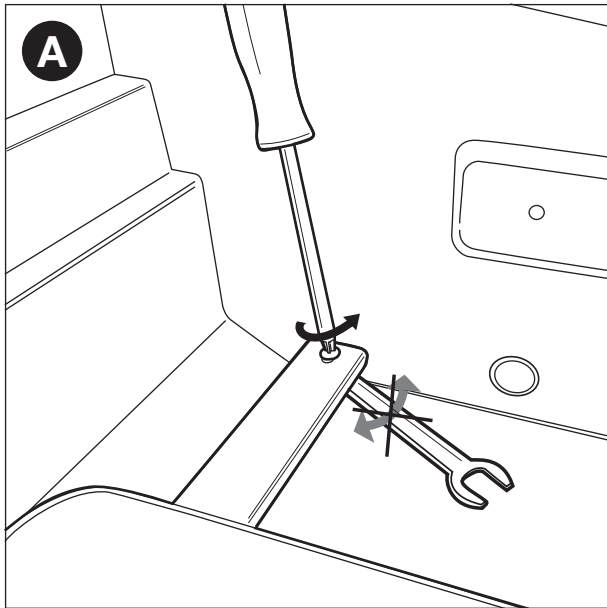
11.3.2 NÅR RENGJØRE BRENNERNE OG VENTURIS?

Du må rengjøre brennerne og venturis til apparatet:

- Før første bruk etter en lang periode uten bruk.
- Minst to ganger i året, hvorav en gang ved begynnelsen av sesongen.

11.3.3 RENGJØRING AV BRENNERNE OG VENTURIS

- 1 Fjern brennerne fra apparatet som vist på illustrasjonene. Hvis du oppdager at en brenner er skadet, må du skifte den ut.





- 2 Rengjør brennerne og venturis med en liten børste eller en hjemmelaget piperenser (en utbrettet binders, en pipe børste...).
- 3 Sett brennerne tilbake. Sørg for å plassere venturis over gassventilåpningene.

11.4 Vedlikehold av emaljerte, rustfritt stål og pulverlakkert deler.

Apparatet består av emaljerte, rustfritt stål og pulverlakkert deler. Hvert materiale må vedlikeholdes forskjellig:

Materiale	Hvordan vedlikeholde dette materialet
Emalje	<ul style="list-style-type: none"> • Ikke bruk skarpe gjenstander, og ikke bank mot et hardt underlag. • Unngå kontakt med kalde væsker mens ennå varmt. • Du kan bruke metallsvamper og skuremidler.
Rustfritt stål	<ul style="list-style-type: none"> • Ikke bruk sterke, slipende eller metall rengjøringsmidler. • Bruk myke rengjøringsmidler og la de virke på stål. • Bruk en myk svamp eller klut. • Skyll grundig etter rengjøring og tørk godt før lagring.
Pulverlakkert	<ul style="list-style-type: none"> • Ikke bruk skarpe gjenstander. Bruk myke vaskemidler og en myk svamp eller klut. • Skyll grundig etter rengjøring og tørk godt før lagring.

 Unngå kontakt med klor, salt og jern for å hindre dannelse av rust på rustfritt stål. Vi anbefaler å ikke bruke apparatet nær kysten, nær jernbaner eller i nærheten av svømmebassenger.

 Skader forårsaket av at man ikke har fulgt disse instruksjonene anses som mangelfullt vedlikehold og blir dermed ikke dekket av garantien.

Nedenfor det forstørrede bildet av ditt apparat (andre del av håndboken), finner du en liste over alle delene som apparatet er sammensatt av. Denne listen inneholder et symbol som angir materialet i hver del, slik at du kan bruke den til å sjekke hvordan du må vedlikeholde en bestemt del. Delelistene bruker følgende symboler:

Symbol	Materiale
●	Emalje
■	Rustfritt stål
★	Pulverlakkert

11.5 Oppbevaring av apparatet

Hvis du ikke bruker apparatet i en lengre periode, bør du oppbevare det på et tørt sted. Før du oppbevarer apparatet:

- Koble fra gassflasken. Oppbevar aldri apparatet innendørs (ikke engang i en garasje eller skur) så lenge den er koblet til gassflasken.
- Rengjør brennerne og ristene, gni dem med olje og pakk dem inn i papir.

- Hvis apparatet er utstyrt med en spydbrenner, fjern spydbrennermotoren og oppbevar det på et tørt sted.
- Dekk apparatet med e Barbecue deksel. Registrer apparatet ditt på www.barbecue.com for å finne ut hvilket deksel du trenger.

11.6 Oppbevaring av gassflasker

Disse instruksjonene gjelder for både tomme og fulle gassflasker.

- Oppbevar alltid gassflasker utendørs, i et godt ventilert område. Sørg for at de ikke utsettes for sterk varme eller direkte sollys.
- Oppbevar aldri en gassflaske i et område som kan bli veldig varmt (i en bil, i en båt...).
- Oppbevar aldri gassflasken eller reservegassflasken i kabinettet i apparatet.
- Oppbevar aldri ekstra gassflaske nær et gassapparatet i bruk.
- Oppbevar alltid gassflasker utenfor rekkevidden til barn.
- Oppbevar og transporter alltid gassflasker i oppreist stilling alltid.

11.7 Bestilling av reservedeler

Deler som er direkte utsatt for flammer eller sterk varme må skiftes ut fra tid til annen. For å bestille deler:

- 1 Slå opp referansenummeret til den delen du trenger. Du finner en liste over alle referansenummer nedenfor det forstørrede bildet i den andre delen i denne håndboken og på www.barbecue.com.



Hvis du har registrert apparatet ditt på nettet, vil du automatisk bli guidet til riktig liste.

- 2 Bestill reservedelen hos din forhandler. Du kan bestille deler både i henhold til og utenfor garantien.



12 GARANTI

12.1 Dekket

Apparatet leveres med en garanti på to år, fra kjøpsdato. Denne garantien dekker alle fabrikkfeil, forutsatt at:

- Du har brukt, montert og vedlikeholdt apparatet ditt i henhold til instruksjonene i denne håndboken. Skader forårsaket av misbruk, feil montering eller utilstrekkelig vedlikehold regnes ikke som fabrikkfeil.
- Du kan presentere kvitteringen og det unike serienummeret på apparatet. Dette serienummeret begynner med en G, etterfulgt av 15 sifre. Du kan finne det:
 - I denne håndboken og i startpakken som inkluderte håndboken.
 - På apparatets emballasje.
 - På typeskiltet på innsiden av kabinettdøren (Quisson, Siesta 4 og Siesta 6) eller på innsiden av nedre frontpanel (Spring, Siesta 2 og Siesta 3).
- Barbecue Kvalitetsavdelingen bekrefter at delene er defekte, at de viste seg å være defekte ved normal bruk, riktig montering og tilstrekkelig vedlikehold.

Hvis en av de ovennevnte vilkårene ikke er oppfylt, kan du ikke kreve noen form for kompensasjon. I alle tilfeller er garantien begrenset til reparasjon eller utskifting av den defekte delen(e).

12.2 Ikke dekket

Følgende skader og mangler dekkes ikke av garantien:

- Normal slitasje (rusting, forvrengning, missfarging ...) av deler som er direkte utsatt for flammer eller sterk varme. Det er vanlig å erstatte disse deler fra tid til annen.
- Visuelle uregelmessigheter som er del av produksjonsprosessen. Disse uregelmessighetene regnes ikke som fabrikkfeil.
- Alle skader forårsaket av utilstrekkelig vedlikehold, feil oppbevaring, feil montering eller modifikasjoner på forhåndsmonterte deler.
- Alle skader forårsaket av feilbruk og misbruk av apparatet (ikke bruker den i henhold til instruksjonene i denne håndboken, bruker den i kommersiell sammenheng...)
- Alle indirekte skader forårsaket av uforsiktig eller ikke-kompatibel bruk av apparatet.
- Rust eller missfarging forårsaket av ytre påvirkninger, ved bruk av sterke vaskemidler, eksponering til klor... Disse skadene regnes ikke som fabrikkfeil.

13 TEKNISKE SPESIFIKASJONER

13.1 Typeskilt

Typeskiltet viser alle de tekniske spesifikasjonene for apparatet. Du kan finne dette:

- I andre delen denne håndboken.
- På innsiden av kabinettdøren.

13.2 Injektordiameter

- Hovedbrenner: 0,991 mm
- Sidebrenner: 0,88 mm

14 PROBLEMLØSING

Problem	Sannsynlig årsak(er)	Løsning(er)
Ikke nok varme	<ul style="list-style-type: none"> Gassforsyning ikke åpen Venturis ikke plassert over gassventileråpninger Brenneråpninger blokkerte Gassflaske (nesten) tom Trykkregulator ikke riktig tilkoblet til gassflasken og/eller slange 	<ul style="list-style-type: none"> Åpen gasstilførsel Plasser venturis over gassventilåpninger Rengjør brenneråpningen eller skift ut brennerne Skift ut gassflaske Koble til igjen trykkregulator til gassflaske og/eller slange
Sterk varme og/eller stikkflammer	<ul style="list-style-type: none"> Mat for fettete Fett dreneringshull blokkert, fett i bollen og/eller fett på brennere Brennerhetter ikke montert riktig Temperaturen er for høy 	<ul style="list-style-type: none"> Trim overflødig fett eller sett brennerne til en lav innstilling Rengjør fett dreneringshull, bolle og brennerne Monter brennerhettene riktig Sett brennerne til en lavere temperatur og/eller grill mat indirekte
Varmen ikke fordelt jevnt over grill overflaten	<p>Noen varmforskjeller er normale, se "11.6 Optimal utnyttelse av varmen" og "11.7 Å utnytte varme soner". Sannsynlig årsak (er) for store varmforskjeller:</p> <ul style="list-style-type: none"> Brennhetter ikke montert riktig Apparatet er ikke forvarmet 	<ul style="list-style-type: none"> Monter brennerhettene riktig Forvarm apparatet
Gule flammer	<ul style="list-style-type: none"> Brennere eller venturis er blokkert Salt på brennere Apparatet tilkoblet butan 	<ul style="list-style-type: none"> Rengjør brennere og venturis Rengjør brennere Koble apparatet til propan, med en passende trykkregulator
Ufullstendig flamme	Brenner blokkert, perforert eller rustet	Rengjør eller skift ut brenner
Tilbakeslag (flammene utenfor venturis/på kontrollbryterne)	Brennere eller venturis er blokkert	<ol style="list-style-type: none"> Steng gasstilførselen og sett brennerne til AV. La apparatet avkjøles. Rengjør brennere og venturis.
Flammer høyere en kanten på bollen	<ul style="list-style-type: none"> Mye vind Gassflaske (nesten) tom Fett i bollen og/eller på brennere 	<ul style="list-style-type: none"> Sett apparatet med baksiden mot vinden Skift ut gassflaske Rengjør bollen, rengjør brennere og skift ut Leaf®
Trykkregulatoren brummer	<ul style="list-style-type: none"> Varmt vær Ny (full) gassflaske 	Ikke en fare eller defekt. Skulle stoppe automatisk etter en stund
Brenner plystrer når den er satt til LAV	Gassinjektor, venturi og/eller brenner skitne	Rengjør gass injektor, venturi og brenner
Umulig å tenne brenner (enten ved hjelp av tenneren eller fyrstikker)	<ul style="list-style-type: none"> Brenner eller venturi blokkert Ingen gasstilførsel 	<ul style="list-style-type: none"> Rengjør brenneren og venturi Åpne gasstilførsel og trykk sikringbryteren på trykkregulator (finnes ikke på alle regulatorer)
Umulig å tenne brenner med tenner	<ul style="list-style-type: none"> Ingen batteri installert eller batteri ikke riktig installert Tennledningen ikke montert riktig Elektrode skadet Feil på jording Feil på tenneren 	<ul style="list-style-type: none"> (Re)installer batteri, med terminaler riktig plassert Sjekk og re-monter alle tennertilkoblinger Skift ut elektroden Sjekk og re-monter elektroder, brennere og tenner Skift ut tenner
Ingen gnister eller lyd når du trykker på tenneren	<ul style="list-style-type: none"> Ingen batteri installert eller batteri ikke riktig installert Tomt batteri Tennbryteren ikke montert riktig Feil på tenngenerator 	<ul style="list-style-type: none"> (Re)installer batteri, med terminaler riktig plassert Skift ut batteri Re-monter tenningsbryteren Skift ut tenngenerator

Problem	Sannsynlig årsak(er)	Løsning(er)
Kun lyd (ingen gnister) når du trykker tenner	<ul style="list-style-type: none"> • Feil på jording • Brenner og elektrode for langt fra hverandre 	<ul style="list-style-type: none"> • Koble til igjen gnist generator og elektroder • Bøy elektroden litt for å bringe den nærmere brenneren
Gnister tilstede som ikke stammer fra brennerne	Feil på ledninger	Skift ut ledninger
Gnister til stede, men ikke på alle elektroder og/eller ikke kraftige nok	<ul style="list-style-type: none"> • Feil på jording • Dårlig batteri • Våte eller ødelagte elektroder 	<ul style="list-style-type: none"> • Koble til igjen gnist generator og elektroder • Skift ut batteri • Tørk elektroder med papirhåndklær eller skift ut elektroder

HU - HASZNÁLATI UTASÍTÁS

1	A készülék regisztrációja.....	186	10	Hasznos tippek és trükkök	192
2	A kézikönyvről	186		• A készülék előmelegítése.....	192
3	Fontos biztonsági utasítások	186		• Megfelelő hely kiválasztása.....	192
	• Olvassa el és tartsa be az utasításokat.....	186		• Közvetlen és közvetett grillezés	192
	• Legyen óvatos a gázzal	186		• Grillezés zárt fedéllel	193
	• Megfelelő hely kiválasztása.....	186		• A hőmérséklet megfigyelése	193
	• Józan ítélőképesség.....	186		• A hő optimális kihasználása.....	193
				• A hőzónák előnyeinek kihasználása.....	193
3.3	Megfelelő hely kiválasztása.....	186		• Fellángolások megelőzése	193
	• Gázcsövek.....	186	11	A készülék karbantartása.....	194
	• Égőfej fedelek.....	187		• A rács tisztítása	194
	• Zománc	187		• Megfelelő hely kiválasztása.....	194
	• Fellángolások.....	187		• Égőfejek és gázcsövek tisztítása	194
5	A készülék összeszerelése.....	187		• A zománc, rozsdamentes acél és porfestett alkatrészek karbantartása	195
	• Megfelelő hely kiválasztása.....	186		• A készülék tárolása	195
	• A készülék összeszereléséhez	187		• Megfelelő hely kiválasztása.....	195
6	Gáz csatlakoztatása a készülékhez	187		• Pótalkatrészek megrendelése	195
	• Milyen palackot, tömlőt és nyomásszabályozót válasszon?.....	187	12	Garancia.....	196
	• Megfelelő hely kiválasztása.....	186		• Garancia hatálya	196
	• Tömlő csatlakoztatása a készülékhez	188		• Nem garanciális hibák.....	196
	• A tömlő és a palack csatlakoztatása a nyomásszabályozóhoz	188	13	Műszaki adatok.....	196
	• A palack cseréje	189		• Adattábla.....	196
				• Fűvóka átmérők.....	196
7	Gázszivárgás ellenőrzése.....	189	14	Hibaelhárítás	197
	• Miért kell ellenőrizni a gázszivárgást?	189			
	• Mikor kell ellenőrizni a gázszivárgást?	189			
	• Megfelelő hely kiválasztása.....	186			
	• Mire van szükségem?.....	189			
	• Gázszivárgás ellenőrzéséhez	189			
	• Gázszivárgás esetén	190			
3.3	Megfelelő hely kiválasztása.....	186			
	• Minden használat előtt	190			
	• Az első használat előtt (hosszabb kihagyás után).....	190			
	• A készülék kiégetése	190			
9	Az égőfejek begyújtása	191			
	• Megfelelő hely kiválasztása.....	186			
	• A fő égőfejek begyújtása	191			
	• Az oldalsó égőfej begyújtása.....	191			
	• Az égőfejek lekapcsolása.....	192			
	• Az égőfejek újra begyújtása	192			
	• Megfelelő hely kiválasztása.....	192			

1 A KÉSZÜLÉK REGISZTRÁCIÓJA

Köszönjük, hogy Barbecook készüléket vásárolt! Biztosak vagyunk benne, hogy számos örömteli grillezésben lesz a partnere.

A lehető legjobb élményhez regisztrálja a készülékét a www.barbecook.com oldalon. Csúpn pár percig tart, és számos előnnyel jár:

- Hozzáférést biztosít a személyre szabott eladást követő szolgáltatásainkhoz. Így például gyorsan megtalálhatja a készüléke pótalkatrészeit, illetve optimális garanciális szolgáltatást kaphat.
- Értesíteni tudjuk az érdekes termékfrissítésekről, és a készülékének megfelelő termékinformációkat és specifikációkat tudjuk elküldeni Önnek.



A készüléke regisztrációjával kapcsolatosan bővebb információt a www.barbecook.com oldalon talál.



A Barbecook tiszteletben tartja az adatai védelmét. Az adatait nem értékesítjük, nem terjesztjük és nem osszuk meg harmadik felekkel.

2 A KÉZIKÖNYVRŐL

A kézikönyv két részből áll:

- Az első rész az, amit éppen olvas. Ebben a készüléke összeszerelésére, használatára és karbantartására vonatkozó utasítások találhatóak.
- A második rész a 379. oldalon kezdődik. Tartalmazza a kézikönyvben szereplő összes készülékkel kapcsolatos minden ábrát (robbantott nézetek, összeszerelési ábrák...).

3 FONTOS BIZTONSÁGI UTASÍTÁSOK

3.1 Olvassa el és tartsa be az utasításokat

A készülék használata előtt olvassa el az utasításokat. Mindig gondosan tartsa be az utasításokat. Ha azoktól eltérően használja a készüléket, tüzet vagy anyagkárosodást okozhat.



A használati utasítás figyelmen kívül hagyása miatt keletkező károk (helytelen összeszerelés, helytelen használat, nem megfelelő karbantartás, stb.) nem tartoznak a garancia hatálya alá.

3.2 Legyen óvatos a gázzal

Gázzal dolgozni teljesen biztonságos, azonban igényel egy kis tőbblet óvatosságot:

- A gázpalackokat mindig kültéren, jól szellőző helyen tárolja. Gondoskodjon róla, hogy nincsenek kitéve túlzott hőhatásnak vagy közvetlen napfénynek.
- A gázpalackot vagy tartalék gázpalackot soha ne tárolja a készülék szekrényében.
- Használat közben tegye a gázpalackot a készülék oldalán lévő gázpalack tartóra.
- A tartalék gázpalackot soha ne tárolja használatban lévő gázpalack közelében.
- A használatot követően mindig zárja el a gázpalackon lévő csapot.
- Soha ne dohányozzon használatban lévő gázkészülék mellett vagy gázpalack közelében (tele/üres).



Ha gázszagot érez, azonnal zárja el a gázcsapot, oltsa el a lángokat, és nyissa ki a készülék fedelét. Ha továbbra is gázszagot érez, hívja a gázszolgáltatóját vagy a tűzoltóságot.

3.3 Megfelelő hely kiválasztása

A készüléket csak nyitott helyen használja. A zárt térben való használat szén-monoxid mérgezést okozhat még garázs vagy fészer esetén is.

Amikor kiválasztja a helyet odakint, mindig:

- Épületektől legalább 3 méterre helyezze el a készüléket, nyílt és jól szellőző helyen.
- Gondoskodjon róla, hogy az égőfejeknél és a készülékház szellőző nyílásainál mindig szabadon áramlik a levegő.
- Gondoskodjon róla, hogy a készülék fölött nincs semmilyen benyúló dolog (tető, árnyékoló, stb.), illetve fólia.
- Helyezze szilárd és stabil felületre a készüléket. Soha ne tegye mozgó járműre (csónak, utánfutó, stb.).

3.4 Józan ítélőképesség

Mindig használja a józan ítélőképességét, amikor a készüléket használja:

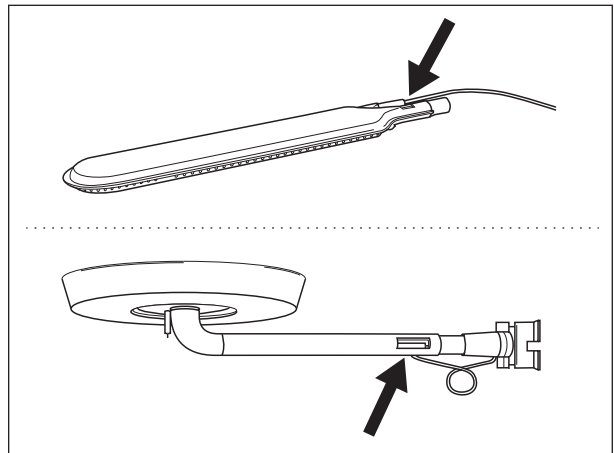
- Kizárólag szabad térben használja.
- Ne mozgassa a készüléket használat közben.
- Ne hagyja felügyelet nélkül a készüléket használat közben, különösen gyermekek vagy állatok jelenlétében.
- VIGYÁZAT! Egyes hozzáférhető alkatrészek nagyon felforrósodhatnak. Tartsa távol a kisgyermeket.
- Használjon megfelelő védőeszközt, ha a forró részekhez ér (fedél, rács...).
- A készüléket használat közben távol kell tartani a gyúlékony anyagoktól.
- Tartsa távol a gyúlékony anyagokat és folyadékokat, ill. az oldódó dolgokat a használatban lévő készüléktől.
- Ne használjon fát, faszenet, lávakövet vagy kerámia brikettet a gázkészüléken.
- Ne használja a készüléket, ha alkoholt fogyasztott, vagy bármilyen szer hatása alatt áll.
- Ne módosítsa a készüléket.

4 FOGALOM MEGHATÁROZÁSOK

Ebben a részben néhány kevésbé ismert fogalom meghatározása található. A kézikönyv több témája hivatkozik ezekre a fogalmakra.

4.1 Gázcsövek

A gázcsövek az égőfejek bemenetére csatlakoztatott kis csövek. A gázcsövek oldalán van egy nyílás. Ez látható a fő égőfejeknél és az oldalsó égőfejeknél:



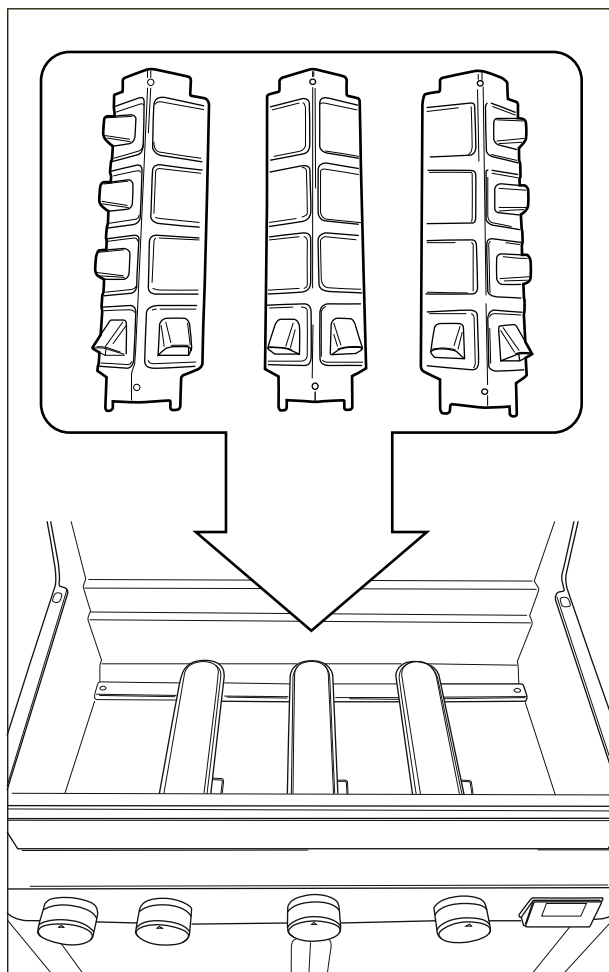
Az égőfejek felé haladó gáz keresztül áramlik a gázcsöveken. Az oldalsó nyílásoknak köszönhetően a gáz levegővel keveredik, ezáltal oxigénnel is. Ez az égőfejek megfelelő égéséhez szükséges: csak a megfelelő arányú gáz-oxigén keverék fog jól égni, és szép lángokat eredményezni.

4.2 Égőfej fedelek

Az égőfej fedelek a készülék égőfejei fölé szerelt fedelek. Megvédik az égőfejeket a lecsöpögő zsírtól, és kulcsfontosságú szerepet játszanak a Turbo Heating System-ben. A fedelek oldalán lévő peremes nyílások elosztják a rácson a hőt, így sokkal gyorsabban és egyenletesebben melegszik.



A készülék összeszerelésekor különösen ügyeljen az égőfej fedelekre. A Turbo Heating System csak akkor tud megfelelően működni, ha minden fedél a hozzá tartozó égőfejre van felszerelve.



4.3 Zománc

A készülék egyes részei olvasztott üveggel, azaz zománcsal vannak bevonva. A zománc megvédi az alatta lévő fémet a korróziótól. A zománc kiváló minőségű anyag: ellenáll a rozsdának, nem halványul el a nagy hőmérséklet miatt, és nagyon egyszerűen karbantartható.



Mivel a zománc kevésbé rugalmas, mint az általa borított acél, ha helytelenül kezeli a készüléket, lepereghet róla a zománc. A problémák elkerülése érdekében legyen óvatos, amikor a zománczott részeket szereli össze, és a zománcot a jelen utasításban leírtak szerint tartsa karban.

4.4 Fellángolások

A fellángolások olyan lángok, amelyek grillezés közben tűnnek fel az edényben. Általában a kicsöpögő zsír vagy páclé okozza őket.

5 A KÉSZÜLÉK ÖSSZESZERELÉSE

5.1 Biztonsági utasítások

- Ne módosítsa a készüléket, amikor összeszereli. Nagyon veszélyes, és a gyártó által előre összeszerelt és/vagy lezárt alkatrészeket nem szabad megváltoztatni.
- Mindig gondosan tartsa be az összeszerelési utasításokat.
- A készülék helyes összeszereléséért a felhasználó felel. A helytelen összeszerelésből adódó károkat nem vonatkozik a garancia.

5.2 A készülék összeszereléséhez

Egy csillagcsavarhúzóra, egy lapos csavarhúzóra és egy AA elemre (elektromos gázgyújtó) lesz szüksége. Ha a készülékéhez tartozik nyárs égőfej is, két D elemre is szüksége lesz (a nyárs égőfej szerkezetébe). Az elemek nem tartozékaik a készüléknek.

- 1 Helyezze sík és tiszta felületre a készüléket.
- 2 Szerelje össze a készüléket az ábrákon látható módon. A kézikönyv második részében találja a készüléke robbantott ábrái után.



A zománczott alkatrészek összeszerelésekor legyen óvatos. A szerszámok és csavarok felsérthetik a zománcot. Használja a mellékelt filcátéteket, hogy megóvjá a zománcot a csavarok körül.



A buborékfóliás csomagokban maradhat felesleges csavar. Az összeszerelést követően kimaradhatnak csavarok.

6 GÁZ CSATLAKOZTATÁSA A KÉSZÜLÉKHEZ


6.1 Milyen palackot, tömlőt és nyomásszabályozót válasszon?


Mielőtt csatlakoztatni tudná a készülékéhez a gázt, vásárolnia kell egy gázpalackot, tömlőt és nyomásszabályozót. Mindig olyan alkatrészeket vásároljon, amelyek megfelelnek az országos nemzeti szabványnak, valamint a készüléken feltüntetett gáz típusának és névleges nyomásnak.

Az alábbi táblázatban látható, hogy milyen palackot, tömlőt és nyomásszabályozót kell használnia. Például Belgiumban (BE) propán palackot kell használnia 37 mbar-os tömlővel és nyomásszabályozóval, vagy pedig bután palackot 28-30 mbar-os tömlővel és nyomásszabályozóval.

Ország	Palack, tömlő és nyomásszabályozó
DK, GR, NO, SE, EE, LT, LV, CZ, PL, MT, HU, SI, SK	Propán, 30 mbar / Bután, 30 mbar
ES, GB, IE, PT, BE, FR, LU, IT	Propán, 37 mbar / Bután, 28-30 mbar
NL	Propán, 30 vagy 50 mbar / Bután, 30 mbar

Ország	Palack, tömlő és nyomásszabályozó
CY	Propán, 30 vagy 37 mbar / Bután, 28-30 mbar

 Azt javasoljuk, csatlakoztassa a készüléket propánra. A propán kiváló minőségű égést biztosít, és kevésbé érzékeny a fagyokra.

 A nyomásszabályozót és gázpalackot együtt vásárolja meg. Nem minden nyomásszabályozó illeszkedik az összes palackra.


6.2 Biztonsági utasítások

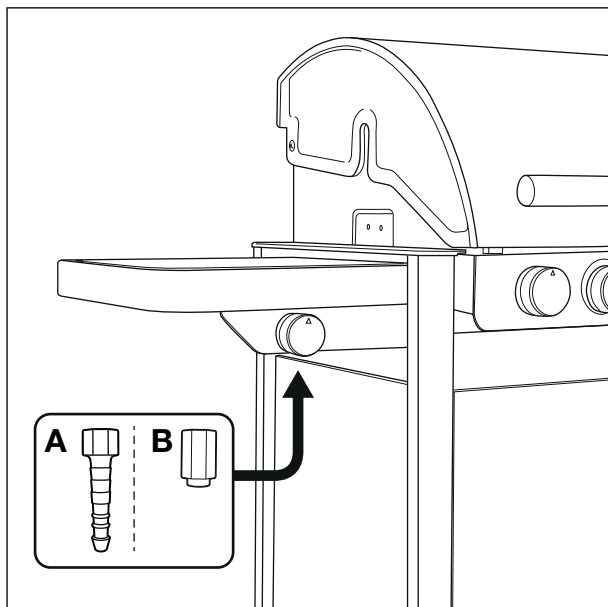
- Soha ne csatlakoztassa a palackot közvetlenül a készülékhez. Mindig szereljen fel előbb egy nyomásszabályozót a palackra.
- A palack, a tömlő és a nyomásszabályozó előre összeszerelt vagy lepecsételt részeit soha ne módosítsa.
- A tömlő legyen a lehető legrövidebb (maximum 500 - 650 mm), hogy ne lehessen húzni a földön.
- A palack, tömlő és nyomásszabályozó csatlakoztatásakor:
 - Soha ne nyomja össze a tömlőt.
 - Mindig tartsa függőleges helyzetben a palackot.
 - Soha ne nyissa meg a gázellátást.
- Ellenőrizze a szivárgásokat minden alkalommal, amikor változtat a gáz csatlakozásait. Lásd "7 Gázszivárgás ellenőrzése".

6.3 Tömlő csatlakoztatása a készülékhez

Ahhoz, hogy a gáztömlőt a készülékre csatlakoztassa, egy csatlakozót kell felszerelnie a készülék gáztömlőjére. A készülékhez két csatlakozó tartozik, mindkettő bizonyos országok esetén alkalmazandó.

Ország	Csatlakozó
BE, CH, CZ, DK, ES, FI, GB, IE, IT, PT, SI	A csatlakozó
FR	B csatlakozó

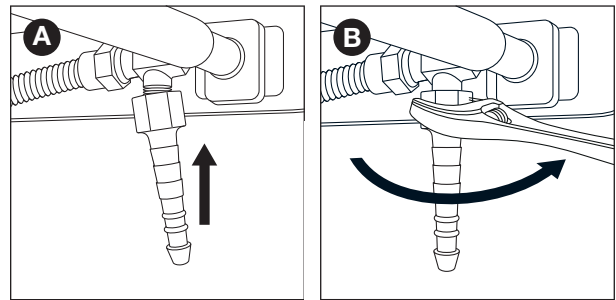
 Ha az Ön országa nem szerepel a táblázatban, használja a nemzeti szabványainak megfelelő csatlakozót.



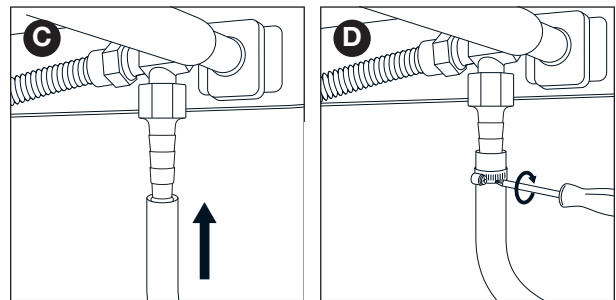
6.3.1 A CSATLAKOZÓ

Szüksége lesz egy 19-es villáskulcsra és egy csillagcsavarhúzóra.

- 1 Tekerje rá a csatlakozót a készülék gáztömlőjére (A), és húzza meg egy 19-es villáskulccsal (B).



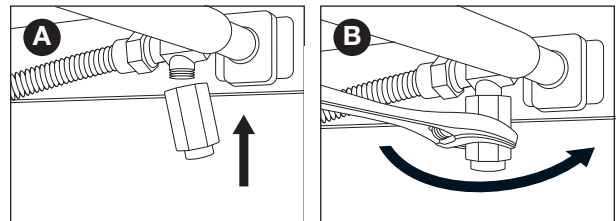
- 2 Csúsztassa rá a tömlőt a csatlakozóra (C), és húzza meg a bilincset a csillagcsavarhúzóval (D).



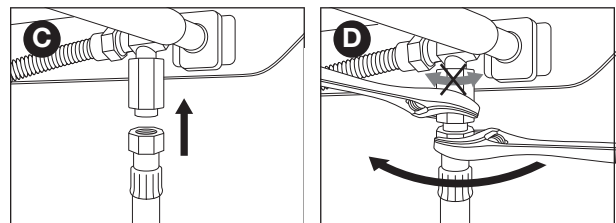
6.3.2 B CSATLAKOZÓ

Szüksége lesz egy 22-es villáskulcsra és egy csőkulcsra.

- 1 Tekerje rá a csatlakozót a készülék gáztömlőjére (A), és húzza meg egy 22-es villáskulccsal (B).



- 2 Tekerje rá a gáztömlőt a csatlakozóra (C), és húzza meg két kulccsal. Tartsa a csatlakozót egy 22-es villáskulccsal, miközben elfordítja a tömlőt egy csőkulccsal (D).

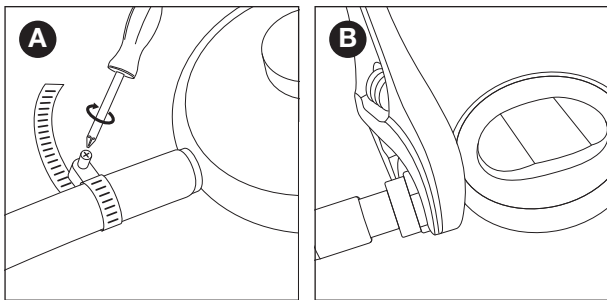


6.4 A tömlő és a palack csatlakoztatása a nyomásszabályozóhoz

A használt nyomásszabályozó típusától függően csillagcsavarhúzó és/vagy csőkulcsra lesz szüksége.

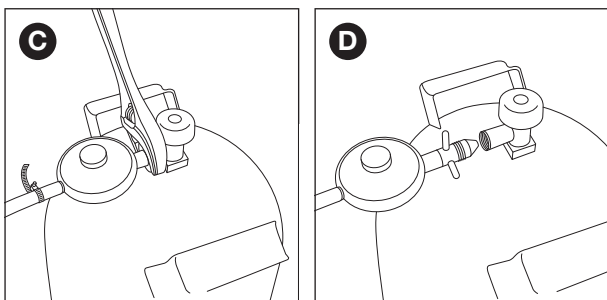
- 1 Csatlakoztassa a tömlőt a nyomásszabályozóhoz. Tegye az alábbiak egyikét:
 - Ha a tömlőn van bilincs, csúsztassa a tömlőt a nyomásszabályozóra, majd húzza meg a bilincset egy csillagcsavarhúzó segítségével (A).

- Ha a tömlőn anya van, tekerje rá a tömlőt a nyomásszabályozóra, majd húzza meg az anyát egy csőkulccsal (B).



2 Csatlakoztassa a nyomásszabályozót a gázpalackra. Tegye az alábbiak egyikét:

- Ha a nyomásszabályozón anya van, tekerje rá a nyomásszabályozót az óramutató járása szerint a palackra, majd húzza meg az anyát egy csőkulccsal (C).
- Ha a nyomásszabályozón csavarfej van, tekerje a nyomásszabályozót az óramutató járásával ellentétes irányban a palackra (D).



6.5 A palack cseréje

- 1 Zárja el a gázellátást, és állítsa az összes szabályozó gombot OFF állásba.
- 2 Vegye le az üres palackot, és csatlakoztassa a tele palackot.
- 3 Ellenőrizze a palackot, a tömlőt és a gázcsatlakozásokat, hogy nincs-e szivárgás. Lásd "7 Gázszivárgás ellenőrzése".


7 GÁZSZIVÁRGÁS ELLENŐRZÉSE

7.1 Miért kell ellenőrizni a gázszivárgást?

A propán és a bután nehezebb, mint a levegő. Emiatt nem emelkednek fel, amikor szivárognak a készülékből. Különösen a szélcsendes napokon a szivárgás miatt a gáz felhalmozódhat a készülék körül. A felgyülemlett gáz ezután meggyulladhat és felrobbanhat.

7.2 Mikor kell ellenőrizni a gázszivárgást?

- Az első használat előtt, valamint ha hosszabb ideig nem használták a készüléket.

 Akkor is ellenőrizze, hogy nincs-e gázszivárgás, ha a készüléket a forgalmazó szerelte össze.

- Minden alkalommal, ha alkatrészt cserélt a gázrendszerben.
- Évente legalább egyszer, lehetőleg a szezon kezdetén.

7.3 Biztonsági utasítások

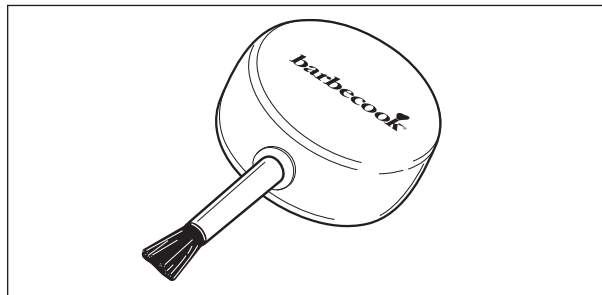
- Vigye ki a szabadba a készüléket, jól szellőző helyre. Ellenőrizze, hogy a készülék közelében nincs láng vagy hóforrás.

- A gázszivárgás ellenőrzésére soha ne használjon gázbegyűjtőt vagy gyufát.
- A gázszivárgás ellenőrzésekor ne dohányozzon, és ne gyújtsa be az égőfejeket.

7.4 Mire van szükségem?

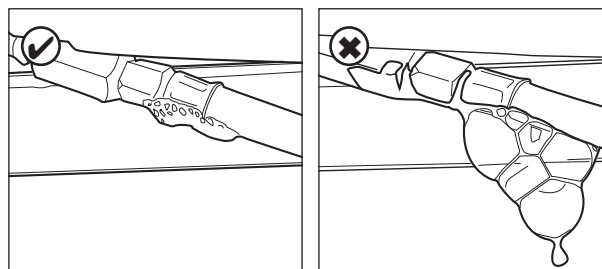
A gázszivárgás ellenőrzéséhez, az alábbiak szükségesek:

- Tesztfolyadék. Készen kapható szivárgás ellenőrző spray-t, vagy pedig víz és mosogatószer (50-50% arányú) keverékét is használhatja.
- A szivárgási teszt szerszámot a készülékkel szállítjuk. Arra használhatja, hogy felszívja vele a tesztfolyadékot, és az ellenőrizni kívánt gáz alkatrészt vagy csatlakozásra teszi.



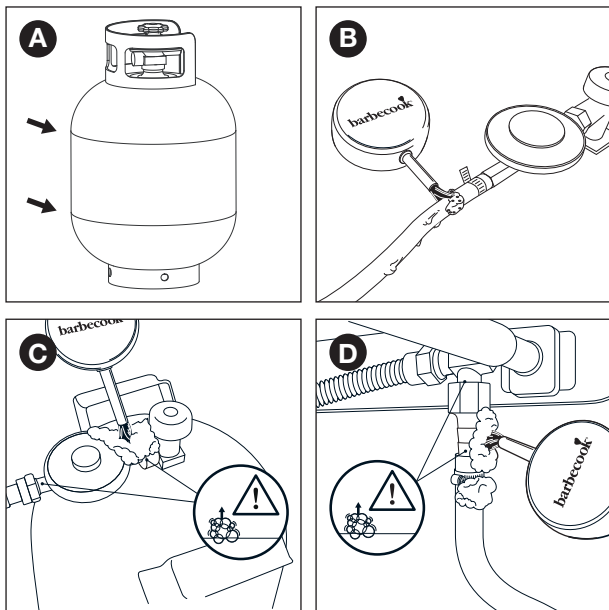
7.5 Gázszivárgás ellenőrzéséhez

A gázszivárgást úgy ellenőrizheti, hogy tesztfolyadékot tesz az összes gázzal kapcsolatos alkatrésztre és csatlakozásra. Ha az adott alkatrésznél buborékok keletkeznek, akkor gázszivárgás van:



A gázszivárgást az alábbiak szerint ellenőrizze:

- 1 Vigye ki a szabadba a készüléket.
- 2 Vegye elő a szivárgási teszt szerszámát és a tesztfolyadékot (szivárgás ellenőrző spray vagy szappanos víz).
- 3 Nyissa fel a fedelet, és állítsa az összes szabályozó gombot OFF állásba.
- 4 Kissé nyissa meg a gázellátást. Csak egyszer fordítsa körbe a gázpalack szelepét.
- 5 Szívjon fel egy kis tesztfolyadékot a szivárgási teszt szerszámmal, és vigye fel az ellenőrizni kívánt helyre. Az alábbiakat kell ellenőriznie:
 - A gázpalack hegesztéseit (A)
 - A tömlőt (B)
 - A palack és a nyomásszabályozó közötti, valamint a nyomásszabályozó és a tömlő közötti csatlakozásokat (C)
 - A tömlő és a készülék közötti csatlakozást (D)



i A nyomásszabályozó és a csatlakozó eltérhet az ábrákon láthatóktól.

6 Tegye az alábbiak egyikét:

- Ha szivárgást észlel, folytassa az alábbiak szerint: "Gázszivárgás esetén".
- Ha nincs gázszivárgás, zárja el a gázellátást, öblítse le az összes alkatrészt alaposan vízzel, és szárítsa meg őket teljesen.

7.6 Gázszivárgás esetén

1 Zárja el a gázcsapot, és tegye az alábbiak egyikét:

- Ha szivárgást észlelt az egyik csatlakozónál, húzza meg a csatlakozót.
- Ha szivárgást észlelt a palacknál vagy a tömlőnél, cserélje ki a palackot vagy a tömlőt.

2 Ellenőrizze újra a csatlakozást, ill. az alkatrészt, ahol szivárgást észlelt.

3 Ha nem szűnt meg a szivárgás, hívjon egy Barbecook forgalmazót. Ne használja a készüléket, amíg fennáll a szivárgás.

i A közelben lévő Barbecook forgalmazók listáját lásd a www.barbecook.com oldalon.

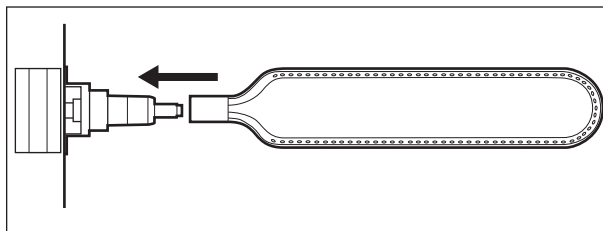
8 A KÉSZÜLÉK ELŐKÉSZÍTÉSE A HASZNÁLATHOZ

8.1 Minden használat előtt

A készülék minden használatkor ellenőrizze, hogy:

- A készülék megfelelően van elhelyezve. Lásd "3.3 Megfelelő hely kiválasztása".
- A gáztömlő nem fekszik a földön, és nem kerülhet érintkezésbe forró felülettel vagy lecsöpögő zsírral.
- Tiszta a tűztér. Azt javasoljuk, hogy minden használat előtt tegyen új Leaf®-et a tűztérbe. Lásd "11.2 A tűztér tisztítása".
- Az égőfejek és gázcsövek nincsenek rovarfészkekkel vagy pókhálókkel eltömve. Lásd "11.3 Égőfejek és gázcsövek tisztítása".
- A készülék megfelelően van összeszerelve. Különösen figyeljen az alábbiakra:

- Az égőfej fedelek. Minden égőfej fedelet a megfelelő égőfej fölé kell helyezni. Lásd "4.2 Égőfej fedelek".
- Az égőfejek gázcsövei. A gázszelepek nyílása fölé kell helyezni őket.



i Ha teljesen biztos szeretne lenni abban, hogy a gáz csatlakozása rendben van, minden használat előtt ellenőrizheti, hogy nincs-e gázszivárgás a készüléken. Lásd "7 Gázszivárgás ellenőrzése".

8.2 Az első használat előtt (hosszabb kihagyás után)

Ha első alkalommal használja a készüléket, vagy hosszabb kihagyást követően először, néhány további dolgot kell ellenőriznie:

- Feltétlenül olvassa el, értelmezze és ellenőrizze a kézikönyv összes utasítását (csak az első használat előtt).
- Ellenőrizze a készüléket gázszivárgásokra. Lásd "7 Gázszivárgás ellenőrzése".



Akkor is ellenőrizze, hogy nincs-e gázszivárgás, ha a készüléket a forgalmazó szerelte össze.

- Tisztítsa meg az égőfejeket és gázcsöveket (csak hosszabb kihagyás után). Lásd "11.3 Égőfejek és gázcsövek tisztítása".
- Égesse ki a készüléket, mielőtt bármilyen ételt helyezne bele (csak az első használat előtt). Lásd "8.3 A készülék kiégetése".

8.3 A készülék kiégetése

Amikor az első használatot megelőzően kiégeti a készüléket, eltávolítja belőle a gyártás során rákerült zsírt. Az alábbiak szerint járjon el:

- 1 Gyűjtsa be a fő égőfejeket, és állítsa a szabályozó gombjait HIGH (magas) állásba. Lásd "9.2 A fő égőfejek begyűjtése".
- 2 Zárja be a fedelet, és hagyja égni a készüléket 15 percig. Ekkor még ne tegyen ételt a rácsra.
- 3 15 perc után nyissa fel a fedelet, és hagyja égni a készüléket további 5 percig (a szabályozó gombokat még mindig HIGH állásban hagyva).
- 4 5 perc után a készülék használatra kész. Most már tehet ételt a rácsra.

9 AZ ÉGŐFEJEK BEGYÚJTÁSA

i Ahhoz, hogy az égőfejeket gázgyújtóval gyújtsa be, AA elemet kell behelyeznie a gázgyújtóba. Az elem nem tartozéka a készüléknek. A gázgyújtó elemtartóját a készülékszekrény belső részében találja.

9.1 Biztonsági utasítások

- A készülék begyújtása előtt hajtsa végre az összes ellenőrzést a "8 A készülék előkészítése a használathoz" részből.
- Ellenőrizze, hogy a fedél mindig nyitva van, amikor begyújtja az égőfejeket.
- Begyújtáskor soha ne hajoljon közvetlenül az égőfej fölé.

9.2 A fő égőfejek begyújtása

9.2.1 A GÁZGYÚJTÓ HASZNÁLATA

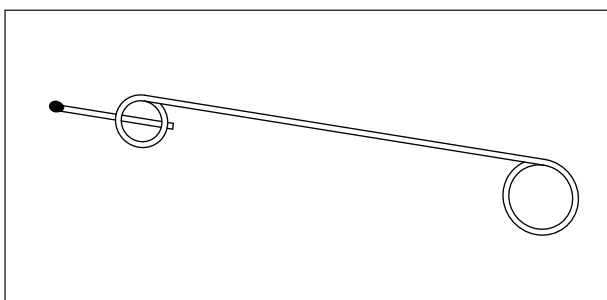
- 1 Nyissa fel a fedelet, és állítsa a fő égőfejek szabályozó gombjait OFF állásba.
- 2 Ha még nem ég egyik égőfej sem, nyissa meg a gázellátást, és várjon tíz másodpercig. Ez lehetővé teszi, hogy stabilizálódjon a gázellátás.
- 3 Nyomja be az egyik égőfej szabályozó gombját, és állítsa HIGH állásba, majd tartsa egy pillanatig. A beépített gázgyújtó szikrázni fog, ami begyújtja az égőfejet.

! Mindig csak egy fő égőfejet gyújtson be egyszerre. Soha ne gyújtson be az összes fő égőfejet egyszerre.

- 4 Ha az égőfej nem gyullad be három próbálkozást követően sem, állítsa a szabályozó gombját OFF állásba, zárja el a gázcsapot, majd várjon 5 percet. Így távozik a felgyülemllett gáz.
- 5 Próbálja meg újra begyújtani az égőfejet. Ha még mindig nem gyullad be, próbálja gyufával begyújtani, vagy hivatkozzon a "14 Hibaelhárítás" részre a hiba okának megállapításához.

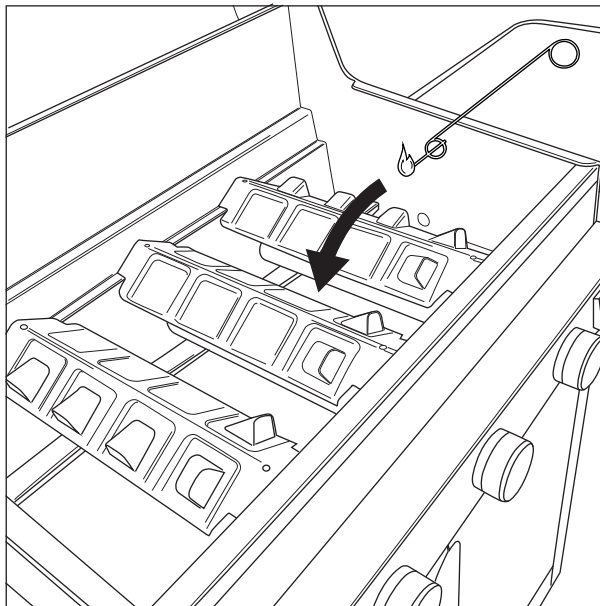
9.2.2 GYUFA HASZNÁLATA

- 1 Tegyen gyufát a gyufatartóba.



- 2 Nyissa fel a fedelet, és állítsa a fő égőfejek szabályozó gombjait OFF állásba.
- 3 Ha még nem ég egyik égőfej sem, nyissa meg a gázellátást, és várjon tíz másodpercig. Ez lehetővé teszi, hogy stabilizálódjon a gázellátás.

- 4 Gyújtsa meg a gyufát, és tartsa kb. 13 mm-re az égőfejtől.



- 5 Állítsa az egyik égőfej szabályozó gombját HIGH állásba.

! Mindig csak egy fő égőfejet gyújtson be egyszerre. Soha ne gyújtson be az összes fő égőfejet egyszerre.

- 6 Ha az égőfej nem gyullad be 5 másodpercen belül, állítsa a szabályozó gombját OFF állásba, zárja el a gázcsapot, majd várjon 5 percet. Így távozik a felgyülemllett gáz.
- 7 Próbálja meg újra begyújtani az égőfejet. Ha még mindig nem gyullad be, az hiba okának meghatározásához lásd: "14 Hibaelhárítás".

9.3 Az oldalsó égőfej begyújtása

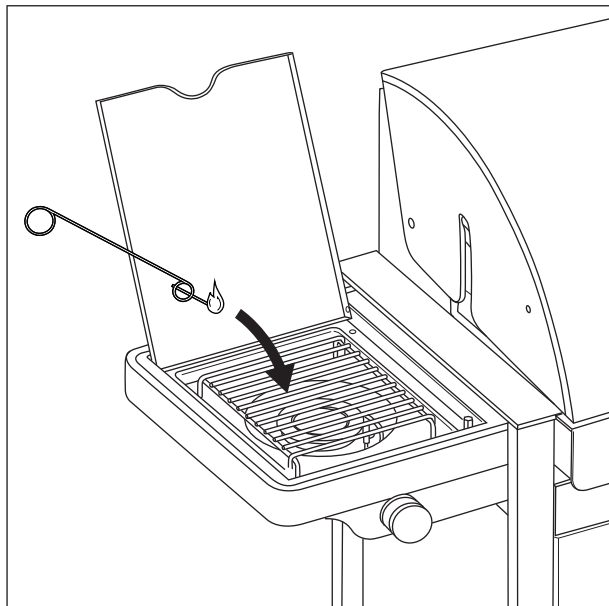
! Az oldalsó égőfej legfeljebb 9 kg súlyú és 220 mm átmérőjű edényeket bír el.

9.3.1 A GÁZGYÚJTÓ HASZNÁLATA

- 1 Nyissa fel a fedelet, és állítsa az oldalsó égőfejek szabályozó gombját OFF állásba.
- 2 Ha még nem ég egyik égőfej sem, nyissa meg a gázellátást, és várjon tíz másodpercig. Ez lehetővé teszi, hogy stabilizálódjon a gázellátás.
- 3 Nyomja be az oldalsó égőfej szabályozó gombját, és állítsa HIGH állásba, majd tartsa egy pillanatig. A beépített gázgyújtó szikrázni fog, ami begyújtja az oldalsó égőfejet.
- 4 Ha az égőfej nem gyullad be három próbálkozást követően sem, állítsa a szabályozó gombját OFF állásba, zárja el a gázcsapot, majd várjon 5 percet. Így távozik a felgyülemllett gáz.
- 5 Próbálja meg újra begyújtani az oldalsó égőfejet. Ha még mindig nem gyullad be, próbálja gyufával begyújtani, vagy hivatkozzon a "14 Hibaelhárítás" részre a hiba okának megállapításához.

9.3.2 GYUFA HASZNÁLATA

- 1 Tegyen gyufát a gyufatartóba.
- 2 Nyissa fel a fedelet, és állítsa az oldalsó égőfejek szabályozó gombját OFF állásba.
- 3 Ha még nem ég egyik égőfej sem, nyissa meg a gázellátást, és várjon tíz másodpercig. Ez lehetővé teszi, hogy stabilizálódjon a gázellátás.
- 4 Gyújtsa meg a gyufát, és tartsa kb. 13 mm-re az oldalsó égőfejtől.




- 5 Állítsa az oldalsó égőfej szabályozó gombját HIGH állásba.
- 6 Ha az oldalsó égőfej nem gyullad be 5 másodpercen belül, állítsa a szabályozó gombját OFF állásba, zárja el a gázcsapot, majd várjon 5 percet. Így távozik a felgyülemlett gáz.
- 7 Próbálja meg újra begyújtani az oldalsó égőfejet. Ha még mindig nem gyullad be, az hiba okának meghatározásához lásd: "14 Hibaelhárítás".

9.4 Az égőfejek lekapcsolása

Ha már nem használja az égőfejeket, le kell kapcsolnia őket. Az alábbiak szerint járjon el:

- 1 Zárja el a gázcsapot.
- 2 Állítsa az égőfejek szabályozó gombját OFF állásba.

 Ha előbb a gázcsapot zárja el, biztos lehet benne, hogy nem marad gáz a készülékben.

9.5 Az égőfejek újra begyújtása

Ha valamelyik égőfej használat közben elalszik, járjon el az alábbiak szerint:

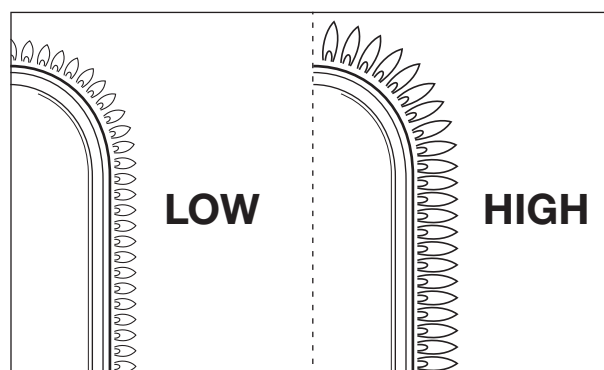
- 1 Nyissa ki a fedelet, és zárja el a gázcsapot.
- 2 Állítsa az összes szabályozó gombot OFF állásba, és várjon 5 percet. Így távozik a felgyülemlett gáz.
- 3 Gyújtsa be újra az égőfej(ek)et.

9.6 A lángok ellenőrzése

Az égőfejek begyújtásakor minden alkalommal ellenőrizni kell a lángokat. A tökéletes láng majdnem teljesen kék, a tetejénél egy kis sárga résszel. A szórványos sárga lángok normálisak, és nem veszélyesek.

Ha valami gond van a lángokkal, tegye az alábbiak egyikét a probléma megoldásához:

Ha a lángok...	Tegye a következőt...
Alacsonyak és teljesen sárgák	<ol style="list-style-type: none">1 Azonnal zárja el a gázellátást, és állítsa az összes szabályozó gombot OFF állásba.2 A probléma okának meghatározásához lásd: "14 Hibaelhárítás". A legvalószínűbb, hogy eltömődtek a gázcsövek.
Magasabbak, mint a tűztér	<ol style="list-style-type: none">1 Azonnal zárja el a gázellátást, és állítsa az összes szabályozó gombot OFF állásba.2 Várjon 5 percet, hogy a felgyülemlett összes gáz eltávozhasson.3 Gyújtsa be újra az égőfej(ek)et.4 Ha továbbra is fennáll a probléma, az oka meghatározásához lásd: "14 Hibaelhárítás".



10 HASZNOS TIPPEK ÉS TRÜKKÖK

10.1 A készülék előmelegítése

Ha előmelegíti a készülékét, gondoskodik róla, hogy a rács elég forró legyen addigra, mire ételt helyez rá. Az alábbiak szerint járjon el:

- 1 Gyújtsa be az égőfejeket, és állítsa a szabályozó gombjait HIGH (magas) állásba.
- 2 Zárja be a fedelet, és hagyja égni a készüléket tíz perccig.
- 3 Tíz perc elteltével nyissa ki a fedelet, és tegye az ételt a rácsra.
- 4 Ha ezután már nincs szüksége akkora hőre, állítsa a szabályozó gombokat alacsonyabb fokozatra.

10.2 Az étel leragadásának megelőzése

Ahhoz, hogy ne ragadjon az étel a rácsra:

- Mielőtt az ételt a rácsra helyezi kenje meg vékonyan olajjal. Magát a rácsot is beolajozhatja.
- Melegítse elő a készüléket. Minél melegebb a rács, amikor ráhelyezi az ételt, annál kevésbé fog leragadni.
- Ne fordítsa meg túl hamar az ételt. Hagyja, hogy előbb kicsit átforrósodjon.

10.3 Közvetlen és közvetett grillezés

Az elkészíteni kívánt étel fajtájától és az elkészítési módtól függően lehet közvetlenül vagy közvetve grillezni:

10.4 Grillezés zárt fedéllel

Grillezés közben a fedél lezárásának van néhány fontos előnye:

- A rács hőmérséklete magasabb, és állandóbb marad.
- Csökken az étel elkészítési ideje, és nedvesebb marad az étel.
- Csökken a fellángolások száma, és gázt takaríthat meg.



Zárt fedél alatt történő grillezéskor mindig figyeljen oda a fedélen lévő hőmérőre, hogy a készülék ne melegedhessen túl. Lásd "10.5 A hőmérséklet megfigyelése".

10.5 A hőmérséklet megfigyelése

A készüléke nagyteljesítményű égőfejekkel van felszerelve, ezért gyorsan felmelegszik, és állandó szintet tudja tartani a hőmérsékletet. Azonban zárt fedél alatti grillezéskor ellenőriznie kell, hogy a készüléke nem melegszik túl. Figyelje a fedélen lévő hőmérőt, és vegye figyelembe az alábbi útmutatást:

- A normál főzési hőmérséklet kb. 210 °C. Magasabb hőmérsékleten a lecsöpögött és összegyűlt zsír begyulladhat.
- A hőmérséklet soha nem haladhatja meg a 300 °C-ot öt percnél tovább. Ez károsíthatja és eldeformálhatja a készüléket.



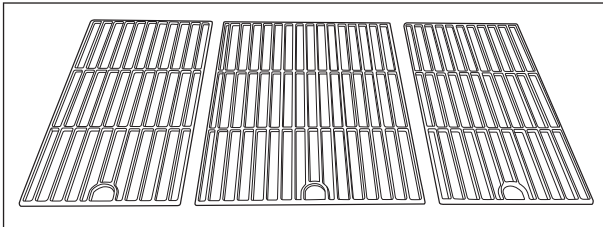
Ha a készülék túl forróvá válik, hűtse le a fedél kinyitásával, és az égőfejek kisebbre állításával.

10.6 A hő optimális kihasználása

A tűztér középső része melegebb, mint az oldalsók. Ahhoz, hogy a legforróbb rész teljes képességét kihasználja, a készülék különböző méretű rácsokkal van felszerelve. A tartozékok:

- Egy nagy rács, amit a tűztér közepébe kell helyezni.
- Két kisebb rács, amiket a tűztér oldalára kell helyezni.

Ha a rácsokat megfelelően helyezi el a tűztérben, és az összes égőfejet begyűjtja, a teljes középső rács a maximumra lesz melegítve. Így kibővítve a tűztér legforróbb részét optimálisan ki tudja használni a készülék rácsfelületét.



10.7 A hőzónák előnyeinek kihasználása

Amikor minden égőfej be van gyűjtve, az égőfejek fedele a lehető leginkább egyenletesen oszlatja el a hőt a grillezőben. Az egyenletes melegítés ellenére egyes zónák forróbbak lehetnek, mint mások. A hőzónák előnyeit kihasználva tökéletesen grillezheti az ételeit:

Zóna	Mennyire forró?	Mire használja...
Elülső	Forró	Kényes ételek grillezése (rák, hal...)
Középső	Forróbb	Párolást is igénylő ételek elkészítése (pl. kolbász, göngyölt csirke...)
Hátulsó	Legforróbb	Hús és zöldségek piritása



Az égőfejek teljesítményének hangolásával Ön is hozhat létre hőzónákat. Például, ha egy égőfejet kisebbre állít, a felette lévő zónát kényes ételekhez vagy párolást is igénylő ételekhez használhatja.

10.8 Fellángolások megelőzése

Grillezés közben előfordulhat néhány fellángolás. Azonban a túl sok fellángolás növeli a készülékben a hőmérsékletet, és begyűjtheti a felgyülemlett zsírt. A fellángolások elkerüléséhez:

- Gondoskodjon róla, hogy a tűztér tiszta, amikor grillezni kezd. Azt javasoljuk, hogy minden használat előtt tegyen új Leaf®-et a tűztérbe. Lásd "11.2 A tűztér tisztítása".
- Rendszeresen ellenőrizze, hogy a zsírleeresztő nyílás nincs eldugulva, és hogy a zsírgyűjtő tálca vagy csésze nem telt meg.
- Zsíros hús grillezésekor vágja le a felesleges zsírt, zárja le a fedelet, és állítsa az égőfejeket közepes vagy alacsony fokozatra.

11 A KÉSZÜLÉK KARBANTARTÁSA


11.1 A rács tisztítása

Azt javasoljuk, minden használat után tisztítsa meg a rácsot Barbecue cleaner-rel. Az alábbiak szerint járjon el:

- 1 A szórófej segítségével juttassa a habot a rácsra, és hagyja kicsit hatni.


A hab elszíneződik, ahogyan a szennyeződések és a zsír leázik.

- 2 Távolítsa el a habot egy puha szivaccsal, és öblítse le alaposan a rácsot vízzel.
- 3 Szárítsa meg jól a rácsot, és tárolja száraz helyen. Így megelőzheti a rozsdásodást.

 A rács tisztításához enyhe tisztítószert, vagy szódabikarbónát is használhat. Soha ne használjon sütőtisztítót a rácsához.

11.2 A tűztér tisztítása

Azt javasoljuk, minden használat után tisztítsa meg a tűztérrel. Ez a legegyszerűbben úgy érheti el, ha egy Leaf[®]-et tesz a tűztérbe, mielőtt grillezni kezd. A Leaf[®] olyan fólia, ami tökéletesen illeszkedik a tűztérbe, és felfogja a leeső darabokat és zsírokat. Amikor a készülék lehűlt, csak vegye ki a Leaf[®]-et, és a tűztér már tiszta is.

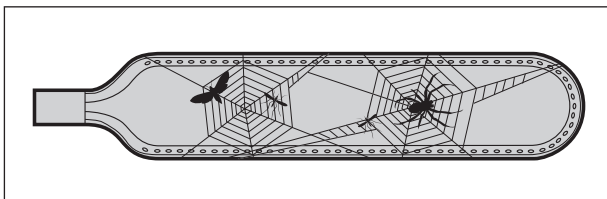
 Regisztrálja a készülékét a www.barbecue.com oldalon, és megtalálja, hogy milyen típusú Leaf[®] tartozik hozzá.


11.3 Égőfejek és gázcsövek tisztítása

11.3.1 MIÉRT KELL TISZTÍTANI AZ ÉGŐFEJEKET ÉS A GÁZCSÖVEKET?

A pókok és rovarok hálókát és fészkeket készíthetnek az égőfejekben és a gázcsövekben. Ez meggátolhatja az égőfejek gázellátását. Ami miatt:

- Nem tudja begyűjtani az égőfejeket. Ha valahogyan mégis be tudja gyújtani őket, csak füstös és sárga lángokat fognak produkálni.
- A gáz elkezdhet a gázcsöveken kívül égni a szabályozó gomboknál. Ezeket a tüzeket lángvisszacsapásnak nevezzük, és súlyos sérülést vagy anyagi kárt okozhatnak.



 Az eltömődött égőfejek és gázcsövek miatt keletkező károk helytelen karbantartásnak minősülnek, és nem tartoznak a garancia hatálya alá.

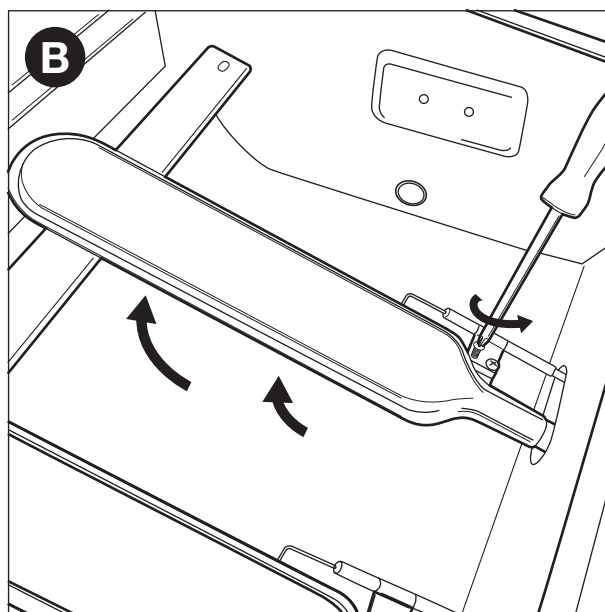
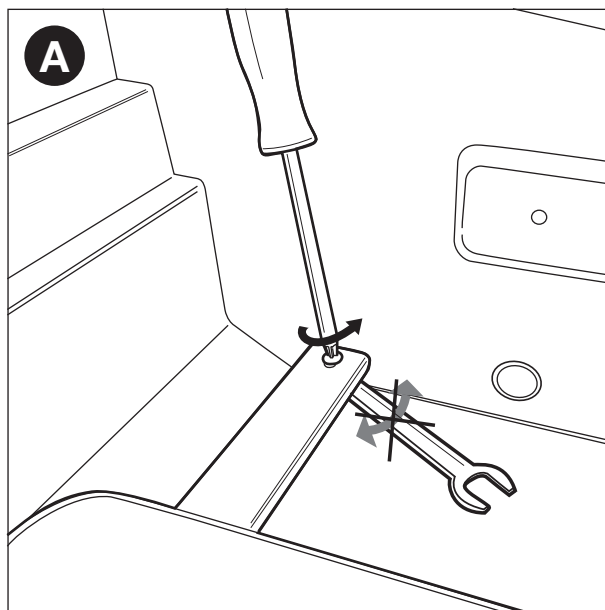
11.3.2 MIKOR KELL TISZTÍTANI AZ ÉGŐFEJEKET ÉS A GÁZCSÖVEKET?

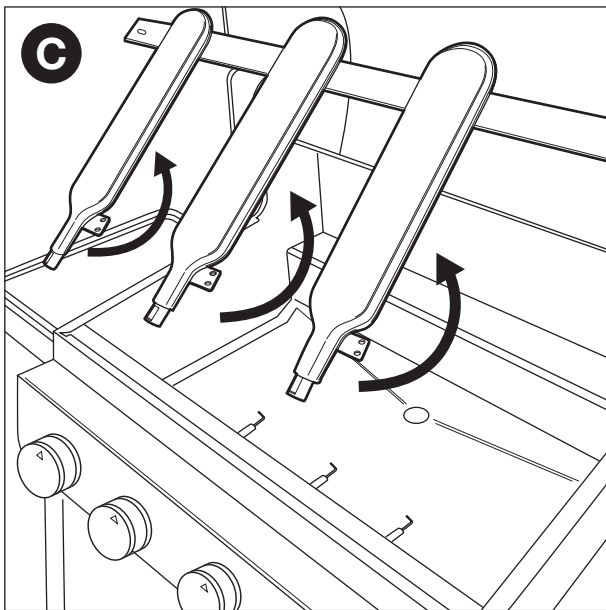
A készülék égőfejeit és gázcsöveit az alábbi esetekben kell megtisztítani:

- Ha hosszabb ideig nem használták a készüléket, mielőtt újra használatba vennék.
- Évente legalább kétszer, egyszer lehetőleg a szezon kezdetén.

11.3.3 AZ ÉGŐFEJEK ÉS A GÁZCSÖVEK TISZTÍTÁSÁHOZ

- 1 Vegye ki az égőfejeket a készülékből az ábrákon látható módon. Ha úgy tapasztalja, hogy valamelyik égőfej sérült, ki kell cserélnie.







- 2 Tisztítsa meg az égőfejeket és a gázcsöveket egy kis kefével vagy házilag készített pipatisztítóval (iratkapocs, pipatisztító kefe...).
- 3 Tegye vissza az égőfejeket. Ellenőrizze, hogy a gázcsövek a gázszelepek nyílása fölött vannak.

11.4 A zománc, rozsdamentes acél és porfestett alkatrészek karbantartása

A készülék zománcozott, rozsdamentes acél és porfestett alkatrészekből áll. Az egyes anyagokat eltérően kell karbantartani:

Anyag	Hogyan kell karbantartani az anyagot
Zománc	<ul style="list-style-type: none"> Ne használjon éles tárgyakat, és ne üsse hozzá kemény felülethez. Kerülje a hideg folyadékokkal való érintkezést, amíg forró. A tisztításhoz használhat fémszivacsot vagy súrolószert.
Rozsdamentes acél	<ul style="list-style-type: none"> Ne használjon maró hatású, ill. súroló- vagy fémtisztító szereket. Használjon enyhe tisztítószert, és hagyja hatni a fémen. Puha szivacsot vagy rongyot használjon. A tisztítást követően alaposan öblítse le, és tárolás előtt szárítsa meg.
Porfestett	<ul style="list-style-type: none"> Ne használjon éles tárgyakat Enyhe tisztítószereket és puha szivacsot vagy rongyot használjon. A tisztítást követően alaposan öblítse le, és tárolás előtt szárítsa meg.

 A rozsdamentes acél rozsdásodásának megelőzése érdekében kerülje a klórral, sóval és vassal való érintkezést. Azt javasoljuk, hogy ne használja a készüléket vízpart, sínek vagy úszómedencék közelében.

 A használati utasítás figyelmen kívül hagyása miatt keletkező károk helytelen karbantartásnak minősülnek, és nem tartoznak a garancia hatálya alá.

A készüléke robbantott ábrája alatt (a kézikönyv második részében) megtalálható a készüléket alkotó összes alkatrész

listája. A listában lévő jelek mutatják, hogy az egyes alkatrészek milyen anyagból készültek, így ellenőrizni tudja, hogy az adott alkatrészt hogyan kell karbantartania. Az alkatrész listában az alábbi jelek láthatók:

Jelölés	Anyag
●	Zománc
■	Rozsdamentes acél
★	Porfestett

11.5 A készülék tárolása

Ha hosszabb ideig nem használja a készülékét, tárolja száraz helyen. A készülék tárolása előtt:

- Szerelje le a gázpalackot. Soha ne tárolja a készüléket zárt térben (még garázsban vagy fészkerben sem), amíg a gázpalack rá van csatlakoztatva.
- Tisztítsa meg az égőfejeket és rácsokat, dörzsölje be őket olajjal és csomagolja papírba.
- Ha a készüléke nyárs égőfejjel is fel van szerelve, vegye le a nyárs égőfej szerkezetet, és tárolja száraz helyen.
- Fedje be a készüléket Barbecue takaróval. Regisztrálja a készülékét a www.barbecue.com oldalon, és megtalálja, milyen takaró tartozik hozzá.

11.6 Gázpalackok tárolása


Ezek az utasítások érvényesek az üres és tele gázpalackokra is.

- A gázpalackokat mindig kültéren, jól szellőző helyen tárolja. Gondoskodjon róla, hogy nincsenek kitéve túlzott hőhatásnak vagy közvetlen napfénynek.
- Soha ne tároljon gázpalackot olyan helyen, ami nagyon felforrósodhat (autóban, hajón...).
- A gázpalackot vagy tartalék gázpalackot soha ne tárolja a készülék szekrényében.
- A tartalék gázpalackot soha ne tárolja használatban lévő gázpalack közelében.
- A gázpalackokat mindig gyermekektől távol tárolja.
- A gázpalackokat mindig függőleges helyzetben tárolja és szállítsa.

11.7 Pótalkatrészek megrendelése

A közvetlenül tűznek vagy intenzív hőhatásnak kitett alkatrészeket időnként ki kell cserélni. Pótalkatrész megrendeléséhez:

- 1 Keresse meg a szükséges alkatrész cikkszámát. A cikkszámok listáját a kézikönyv második részében lévő robbantott ábránál vagy a www.barbecue.com oldalon találja.

 Ha online regisztrálta a készülékét, automatikusan a megfelelő listához irányítjuk.

- 2 Rendelje meg a pótalkatrészt a vásárlás helyén. Pótalkatrészeket a garancia ideje alatt és azután is rendelhet.

12 GARANCIA

12.1 Garancia hatálya

A készülékre két év garanciát vállalunk, ami a vásárlás napjától kezdődik. A garancia minden gyártási hibára kiterjed, feltéve, ha:

- A jelen kézikönyvben szereplő utasításoknak megfelelően használta, szerelte össze és tartotta karban a készülékét. A helytelen használatból, nem megfelelő összeszerelésből, ill. nem megfelelő karbantartásból adódó károk nem minősülnek gyártási hibának.
- Be tudja mutatni a nyugtát és a készülék egyedi gyártási számát. A 15 jegyű gyártási szám előtt egy „G” betű található. Hol találja meg:
 - A kézikönyvön, valamint a kézikönyvhöz kapott kezdőcsomagban.
 - A készülék csomagolásán.
 - Az adattáblán a szekrényajtó belső oldalán.
- A Barbecook minőségügyi részlege megerősíti, hogy az alkatrészek hibásak, és normál használat, helyes összeszerelés és megfelelő karbantartás mellett bizonyultak hibásnak.

Ha a fenti feltételek valamelyike nem teljesül, nem kérhet semmilyen kártérítést. A garancia minden esetben csak a hibás alkatrész(ek) javítására vagy cseréjére vonatkozik.

12.2 Nem garanciális hibák

Az alábbi károk és hibák nem tartoznak a garancia hatálya alá:

- A tűzzel vagy intenzív hővel közvetlenül érintkező alkatrészek normál elhasználódása (rozsdásodás, deformálódás, elszíneződés, stb.). Az ilyen alkatrészek időnkénti cseréje normális.
- A gyártási folyamatnak betudható látható rendellenességek. Ezek a rendellenességek nem tekinthetők gyártási hibának.
- A nem megfelelő karbantartás, helytelen tárolás, illetve az előre összeszerelt alkatrészek helytelen összeállítása vagy módosítása miatti károk.
- A készülék helytelen használata (ha nem a jelen használati utasításnak megfelelően használja, kereskedelmi célra használja, stb.) miatti károk.
- A készülék gondatlan vagy nem megfelelő használata miatti következményes károk.
- A külső hatásra, agresszív tisztítószer használata vagy klórral való érintkezés miatt keletkező rozsdásodás vagy elszíneződés. Ezek a károk nem tekinthetők gyártási hibának.

13 MŰSZAKI ADATOK

13.1 Adattábla

Az adattáblán megtalálható a készüléke összes műszaki adata. Hol találja meg:

- A kézikönyv második részében.
- A szekrényajtó belső oldalán.

13.2 Fűvóka átmérők

- Fő égőfej: 0,991 mm
- Oldalsó égőfej: 0,88 mm

14 HIBAELEHÁRÍTÁS

Hiba	Valószínűsíthető ok(ok)	Megoldás(ok)
Nem elegendő hő	<ul style="list-style-type: none"> Nincs nyitva a gázellátás A gázcsövek nem a gázszelepek nyílása fölé vannak helyezve Eltömődtek az égőfej nyílásai (Majdnem) üres gázpalack A nyomásszabályozó nincs megfelelően csatlakoztatva a palackhoz és/vagy a tömlőhöz 	<ul style="list-style-type: none"> Nyissa meg a gázellátást Helyezze a gázcsöveket a gázszelepek nyílása fölé Tisztítsa meg az égőfej nyílásait, vagy cserélje ki az égőfejeket Cserélje ki a gázpalackot Csatlakoztassa újra a nyomásszabályozót a palackhoz és/vagy tömlőhöz
Túl sok hő és/vagy fellángolás	<ul style="list-style-type: none"> Túl zsíros az étel Eltömődött a zsíroleeresztő nyílás, zsír van a tűztérben és/vagy zsír van az égőfejekon Az égőfejek fedele nincs megfelelően felszerelve Túl magas hőmérséklet 	<ul style="list-style-type: none"> Vágja le a felesleges zsírt, vagy állítsa az égőfejeket kisebbre Tisztítsa ki a zsíroleeresztő nyílást, a tűzteret és az égőfejeket Szerelje fel megfelelően az égőfejek fedelét Állítsa kisebb hőmérsékletre az égőfejeket és/vagy grillezze közvetve az ételt
Nem egyenletes a hőeloszlás a rács felületén	<p>A hőmérséklet különbség valamelyest normális, lásd "11.6 A hő optimális kihasználása" és "11.7 A hőzónák előnyeinek kihasználása". A nagy hőmérséklet különbségek valószínűsíthető oka(i):</p> <ul style="list-style-type: none"> Az égőfejek fedele nincs megfelelően felszerelve A készülék nincs előmelegítve 	<ul style="list-style-type: none"> Szerelje fel megfelelően az égőfejek fedelét Melegítse elő a készüléket
Sárga lángok	<ul style="list-style-type: none"> Eltömődtek az égőfejek vagy a gázcsövek Só van az égőfejekon A készüléket butánra csatlakoztatták 	<ul style="list-style-type: none"> Tisztítsa meg az égőfejeket és gázcsöveket Tisztítsa meg az égőfejeket Csatlakoztassa a készüléket propánra egy megfelelő nyomásszabályozó segítségével
Nem teljes láng	Eltömődött, kilyukadt vagy rozsdás az égőfej	Tisztítsa meg vagy cserélje ki az égőfejet
Lángvisszacsapások (lángok a gázcsöveken kívül/a szabályozó gombknál)	Eltömődtek az égőfejek vagy a gázcsövek	<ol style="list-style-type: none"> Zárja el a gázellátást, és állítsa az égőfejeket OFF állásba. Hagyja, hogy a készülék lehűljön. Tisztítsa meg az égőfejeket és gázcsöveket.
A tűztér peremén túlnyúló lángok	<ul style="list-style-type: none"> Nagy a huzat (Majdnem) üres gázpalack Zsír van a tűztérben és/vagy az égőfejekon 	<ul style="list-style-type: none"> Állítsa a készüléket a hátsó oldalával a szél felé Cserélje ki a gázpalackot Tisztítsa meg a tűzteret, tisztítsa meg az égőfejeket, és cserélje ki a Leaf®-et
Zümmög a nyomásszabályozó	<ul style="list-style-type: none"> Meleg időjárás Új (tele) gázpalack 	Nem veszélyes, és nem hiba. Egy kis idő múlva abba kell maradnia.
Az égőfej sípol, amikor LOW (alacsony) állásba kapcsolják	Szennyezett a gázfúvóka, a gázcső és/vagy az égőfej	Tisztítsa meg a gázfúvókát, gázcsövet és égőfejet
Nem lehet begyújtani az égőfejet (sem gázgyújtóval, sem gyufával)	<ul style="list-style-type: none"> Eltömődött az égőfej vagy a gázcső Nincs gázellátás 	<ul style="list-style-type: none"> Tisztítsa meg az égőfejet és gázcsövet Nyissa meg a gázellátást, és nyomja meg a biztonsági gombot a nyomásszabályozón (nincs rajta minden nyomásszabályozón)
Nem lehet begyújtani az égőfejet gázgyújtóval	<ul style="list-style-type: none"> Nincs benne elem, vagy nem megfelelően tette bele az elemet A gázgyújtó vezetékai nincsenek megfelelően felszerelve Sérült az elektróda Hibás földelés Hibás gázgyújtó 	<ul style="list-style-type: none"> Tegye be (újra) az elemet, ügyeljen a megfelelő irányra Ellenőrizze és szerelje össze a gázgyújtó csatlakozásait Cserélje ki az elektródát Ellenőrizze és szerelje össze az elektródákat, égőfejeket és gázgyújtót Cserélje ki a gázgyújtót

Hiba	Valószínűsíthető ok(ok)	Megoldás(ok)
Nincs szikra, és nem hallható hang, amikor megnyomja a gázgyújtót	<ul style="list-style-type: none"> Nincs benne elem, vagy nem megfelelően tette bele az elemet Lemerült az elem A gázgyújtó gombja nincs megfelelően összeszerelve Hibás a szikráztató 	<ul style="list-style-type: none"> Tegye be (újra) az elemet, ügyeljen a megfelelő irányra Cserélje ki az elemet Szerelje össze a gázgyújtó gombját Cserélje ki a szikráztatót
Csak hang hallható (nincs szikra) a gázgyújtó megnyomásakor	<ul style="list-style-type: none"> Hibás földelés Az égőfej és az elektróda túl messze van egymástól 	<ul style="list-style-type: none"> Csatlakoztassa újra a szikráztatót és az elektródákat Hajlítsa meg kissé az elektródát, hogy közelebb legyen az égőfejhez
Olyan szikrák vannak, amelyek nem az égőfejből származnak	Hibás bekötés	Cserélje ki a bekötést
Szikrák vannak, de nem minden elektródánál és/vagy nem elég erőteljesek	<ul style="list-style-type: none"> Hibás földelés Alacsony elemfeszültség Nedves vagy sérült elektródák 	<ul style="list-style-type: none"> Csatlakoztassa újra a szikráztatót és az elektródákat Cserélje ki az elemet Szárítsa meg az elektródákat papírtörölvél, vagy cserélje ki őket

RO - GHID DE UTILIZARE

1	Înregistrarea aparatului	202	10	Recomandări utile	209
2	Despre acest manual	202		• Preîncălzirea aparatului	209
3	Instrucțiuni importante de siguranță	202		• Prevenirea lipirii alimentelor.....	209
	• Citiți și urmați instrucțiunile	202		• Preparare directă și indirectă	209
	• Aveți grijă atunci când folosiți gazul	202		• Prepararea la grătar cu capacul închis.....	209
	• Selectarea unui loc adecvat	202		• Verificarea temperaturii.....	209
	• Păstrați-vă simțul practic.....	202		• Utilizarea optimă a căldurii.....	209
4	Noțiuni repetitive	202		• Cum să profitați de zonele de căldură	209
	• Difuzoare de aer	202		• Evitarea flamelor.....	210
	• Capace pentru arzătoare.....	203	11	Întreținerea aparatului	210
	• Email.....	203		• Curățarea grătarului	210
	• Flame.....	203		• Curățarea vasului	210
5	Asamblarea aparatului	203		• Curățarea arzătoarelor și a difuzoarelor de aer	210
	• Instrucțiuni privind siguranța	203		• Preparare directă și indirectă	211
	• Asamblarea aparatului.....	203		• Depozitarea aparatului	211
6	Racordarea gazului la aparat	203		• Depozitarea buteliilor de gaz.....	212
	• Ce tip de butelie, furtun și regulator?	203		• Comandarea pieselor de schimb	212
	• Instrucțiuni privind siguranța	204	12	Garanție	212
	• Racordarea furtunului la aparat	204		• Sunt acoperite.....	212
	• Conectarea furtunului și buteliei la regulator	204		• Nu sunt acoperite.....	212
	• Înlocuirea buteliei.....	205	13	Specificații tehnice.....	212
7	Verificarea scurgerilor de gaz.....	205		• Tipul de etichetă.....	212
	• De ce este necesară verificarea scurgerilor de gaz?.....	205		• Diametru injectoare	212
	• Când trebuie verificate scurgerile de gaz?	205	14	Depanare.....	213
	• Instrucțiuni privind siguranța	205			
	• Ce materiale sunt necesare?	205			
	• Pentru a verifica scurgerile de gaz	205			
	• În cazul unei scurgeri de gaz.....	206			
8	Pregătirea aparatului pentru utilizare	206			
	• Înainte de fiecare utilizare.....	206			
	• Înainte de prima utilizare (după o lungă perioadă)	206			
	• Aprinderea aparatului	206			
9	Aprinderea arzătoarelor.....	207			
	• Instrucțiuni privind siguranța	207			
	• Aprinderea arzătoarelor principale	207			
	• Aprinderea arzătorului lateral.....	207			
	• Închiderea arzătoarelor	208			
	• Reaprenderea arzătoarelor	208			
	• Verificarea flăcărilor	208			

1 ÎNREGISTRAREA APARATULUI

Vă mulțumim că ați achiziționat aparatul Barbecue! Suntem siguri că acesta vă va oferi o mulțime de momente fericite.

Pentru a vă optimiza experiența, înregistrați aparatul la www.barbecue.com. Durează doar câteva minute și oferă câteva beneficii majore:

- Primiți acces la serviciul nostru personalizat postvânzare. Acest fapt vă permite, de exemplu, să găsiți rapid piese de schimb pentru aparatul dumneavoastră sau să profitați de un serviciu de garanție optim.
- Vă putem informa asupra actualizărilor interesante de produse și vă putem direcționa către informațiile și specificațiile de produs care sunt relevante pentru aparatul dumneavoastră.



Pentru mai multe informații despre înregistrarea aparatului dumneavoastră, consultați www.barbecue.com.



Barbecue vă respectă confidențialitatea. Datele dumneavoastră nu vor fi vândute, distribuite sau partajate cu terții.

2 DESPRE ACEST MANUAL

Acest manual are două părți:

- Prima parte este cea pe care o citiți acum. Aceasta include instrucțiuni referitoare la asamblarea, utilizarea și întreținerea aparatului.
- A doua parte începe la pagina 379. Aceasta include mai multe tipuri de ilustrații (prezentări pe părți componente, desene de asamblare, tipuri de etichete) ale aparatelor descrise în acest manual.

3 INSTRUCȚIUNI IMPORTANTE DE SIGURANȚĂ

3.1 Citiți și urmați instrucțiunile

Citiți instrucțiunile înainte de utilizarea aparatului. Respectați întotdeauna cu atenție instrucțiunile. Asamblarea sau utilizarea aparatului în mod diferit poate cauza incendii și pagube materiale.



Pagubele cauzate de nerespectarea instrucțiunilor (asamblare incorectă, utilizare greșită, întreținere inadecvată etc.) nu sunt acoperite de garanție.

3.2 Aveți grijă atunci când folosiți gazul

Lucrul cu gazul este complet în siguranță, dar necesită o atenție sporită:

- Depozitați întotdeauna buteliile cu gaz în aer liber, într-o zonă bine aerisită. Asigurați-vă că acestea nu sunt expuse la căldură excesivă și la razele soarelui.
- Nu depozitați niciodată butelia de gaz sau pe cea de rezervă în dulapul în care se află aparatul dvs.
- Atunci când este în funcțiune, așezați butelia de gaz în suportul pentru butelii din partea laterală a aparatului.
- Nu depozitați niciodată butelia de gaz de rezervă în apropierea unui aparat aflat în funcțiune.
- După utilizare, închideți întotdeauna alimentarea cu gaz de pe butelie.
- Nu fumați niciodată în apropierea unui aparat cu gaz aflat în funcțiune sau în apropierea unei butelii de gaz (plină/goală).



Dacă simțiți miros de gaz, închideți imediat alimentarea cu gaz, stingeți toate flăcările și deschideți capacul

aparatului. Dacă mirosul persistă, chemați furnizorul dvs. de gaz sau Pompierii.

3.3 Selectarea unui loc adecvat

Utilizați aparatul doar în aer liber. Utilizarea acestuia în spații închise, chiar și într-un garaj sau o magazie, poate cauza intoxicarea cu monoxid de carbon.

Întotdeauna când selectați un loc în aer liber:

- Poziționați aparatul la cel puțin trei metri distanță de orice clădire, într-o zonă deschisă și bine aerisită.
- Asigurați-vă că aerul circulă liber în mod permanent la arzătoare și la găurile de ventilare din dulap.
- Asigurați-vă că aparatul nu se află sub o structură suspendată (terasă, adăpost etc.) sau sub frunziș.
- Așezați aparatul pe o suprafață fixă și stabilă. Nu îl așezați niciodată pe un vehicul în mișcare (barcă, remorcă etc.).

3.4 Păstrați-vă simțul practic

Păstrați-vă în permanență simțul practic atunci când folosiți aparatul:

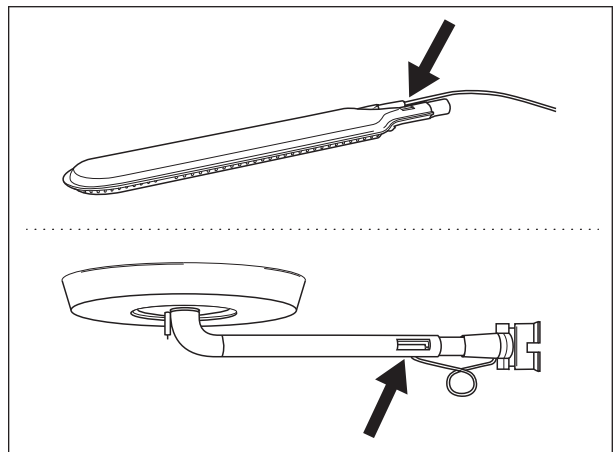
- Utilizați-l doar în aer liber.
- Nu deplasați aparatul în timpul utilizării.
- Nu lăsați aparatul nesupravegheat în timpul utilizării, îndeosebi atunci când sunt prezenți copiii și animale.
- AVERTIZARE! Anumite piese accesibile se pot încinge excesiv. Nu lăsați copiii mici în jurul acestora.
- Utilizați protecție adecvată atunci când manipulați piese fierbinți (capac, grătar etc.).
- În timpul utilizării, aparatul trebuie ținut la distanță de materiale inflamabile.
- Păstrați materialele inflamabile, substanțele inflamabile și materialele solubile la distanță de aparat în timpul utilizării.
- Nu folosiți lemne, cărbuni, roci vulcanice sau brichete ceramice la un aparat cu gaz.
- Nu utilizați aparatul dacă ați consumat băuturi alcoolice sau ați luat medicamente.
- Nu modificați aparatul.

4 NOȚIUNI REPETITIVE

Această parte include definiții ale unor noțiuni mai puțin cunoscute. Aceste noțiuni sunt utilizate în mai multe subiecte pe parcursul acestui manual.

4.1 Difuzoare de aer

Difuzoarele de aer sunt tuburi de dimensiuni reduse care sunt fixate la intrarea arzătoarelor. În partea laterală a difuzoarelor de aer, există un orificiu. Acest lucru este vizibil la arzătoarele principale și la arzătorul lateral:



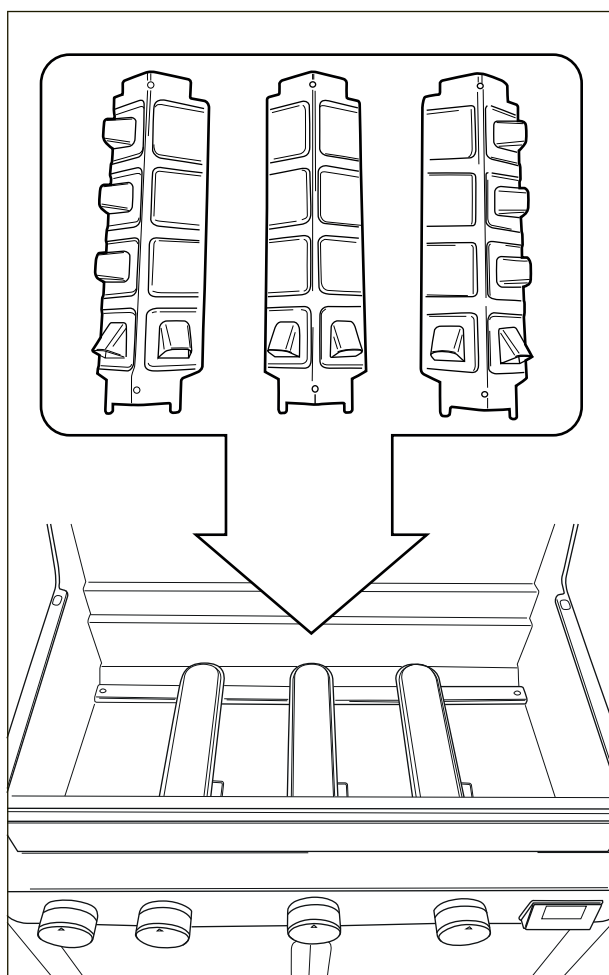
Atunci când gazul se îndreaptă spre arzătoare, acesta trece prin difuzoarele de aer. Datorită orificiilor laterale, gazul este amestecat apoi cu aer și, prin urmare, cu oxigen. Acest lucru este necesar pentru o aprindere bună a arzătoarelor: numai amestecul corect de gaz și oxigen se va aprinde corespunzător și va produce flăcări intense.

4.2 Capace pentru arzătoare

Capacele pentru arzătoare sunt capacele pe care le montați deasupra arzătoarelor aparatului. Acestea protejează arzătoarele de picurarea grăsimii și dețin un rol crucial în Turbo Heating System. Orificiile bombate din părțile laterale ale capacelor distribuie căldura peste grătar, astfel încât acesta se încălzește mult mai rapid și mai uniform.



Acordați o atenție specială capacelor pentru arzătoare atunci când montați aparatul. Sistemul Turbo Heating System poate funcționa corespunzător doar dacă fiecare capac este montat corect peste fiecare arzător.



4.3 Email

Unele părți ale aparatului sunt acoperite cu un strat de sticlă topită, numită email. Acest email protejează metalul de dedesubt împotriva coroziunii. Emailul este un material de calitate superioară: acesta este rezistent la rugină, nu se decolorează sub influența temperaturilor ridicate și este foarte ușor de întreținut.



Deoarece emailul este mai puțin flexibil decât metalul pe care îl acoperă, se pot desprinde bucăți de email atunci când manipulați aparatul incorect. Pentru a evita problemele, aveți grijă atunci când asamblați piesele emailate și întrețineți întotdeauna emailul după cum este descris în acest manual.

4.4 Flame

Flamele sunt flăcări care izbucnesc brusc din vas atunci când preparați la grătar. Acestea sunt cauzate, de obicei, de picurarea grăsimii sau a marinatei.

5 ASAMBLAREA APARATULUI

5.1 Instrucțiuni privind siguranța

- Nu modificați aparatul în timpul asamblării. Este foarte periculos și nepermis să modificați piesele care sunt preasamblate și/sau sigilate de către producător.
- Respectați întotdeauna cu atenție instrucțiunile de asamblare.
- Asamblarea corectă a aparatului este responsabilitatea utilizatorului. Pagubele provocate de asamblarea incorectă nu sunt acoperite de garanție.

5.2 Asamblarea aparatului

Aveți nevoie de o șurubelniță în cruce, o șurubelniță plată și o baterie AA (aprinzător electric). Dacă aparatul dvs. vine echipat cu un arzător pentru rotisor, aveți nevoie de două baterii D (motor arzător pentru rotisor). Nicio baterie nu este furnizată împreună cu aparatul.

- Așezați aparatul pe o suprafață plată și curată.
- Asamblați aparatul conform desenelor de asamblare. Găsiți desenele în partea a doua a acestui manual, după prezentarea pe părți componente a aparatului.



Aveți grijă când asamblați piese emailate. Unelte și șuruburile pot deteriora emailul. Utilizați șabele de fibră furnizate pentru a proteja emailul în jurul șuruburilor.



Ambalajele pentru șuruburi pot conține șuruburi în plus. După asamblare pot rămâne șuruburi suplimentare.

6 RACORDAREA GAZULUI LA APARAT

6.1 Ce tip de butelie, furtun și regulator?

Înainte de a conecta gazul la aparat, trebuie să achiziționați o butelie de gaz, un furtun și un regulator de presiune. Achiziționați întotdeauna materialele care respectă toate standardele naționale și cu tipul (tipurile) de gaz și presiunea (presiunile) nominală(e) menționate pe aparat.

Tabelul de mai jos vă indică ce tip de butelie, furtun și regulator trebuie să utilizați. În Belgia (BE), de exemplu, trebuie să folosiți o butelie cu propan, cu un furtun și un regulator pentru 37 mbar sau o butelie cu butan cu un furtun și un regulator pentru 28-30 mbar.

Țară	Butelie, furtun și regulator
DK, GR, NO, SE, EE, LT, LV, CZ, PL, MT, HU, SI, SK	Propan, 30 mbar / Butan, 30 mbar
ES, GB, IE, PT, BE, FR, LU, IT	Propan, 37 mbar / Butan, 28-30 mbar
NL	Propan, 30 sau 50 mbar / Butan, 30 mbar
CY	Propan, 30 sau 37 mbar / Butan, 28-30 mbar



Vă recomandăm să racordați aparatul la propan. Propanul oferă o combustie de înaltă calitate și este mai rezistent la îngheț.



Achiziționați regulatorul de presiune împreună cu butelia de gaz. Nu toate regulatoarele se potrivesc pe butelie.

6.2 Instrucțiuni privind siguranța

- Nu conectați niciodată butelia direct la aparat. Înainte de utilizare, montați întotdeauna un regulator de presiune pe butelie.
- Nu modificați niciodată piesele preasamblate sau sigilate ale buteliei, furtunul sau regulatorul de presiune.
- Păstrați furtunul cât mai scurt posibil (maxim 500 - 650 mm) pentru a evita ca acesta să stea pe sol.
- Atunci când montați butelia, furtunul și regulatorul de presiune:
 - Nu deformați furtunul.
 - Păstrați întotdeauna butelia în poziție verticală.
 - Nu deschideți niciodată alimentarea cu gaz.
- Verificați scurgerile de gaz de fiecare dată când modificați racordul de gaz. Vedeți "7 Verificarea scurgerilor de gaz".

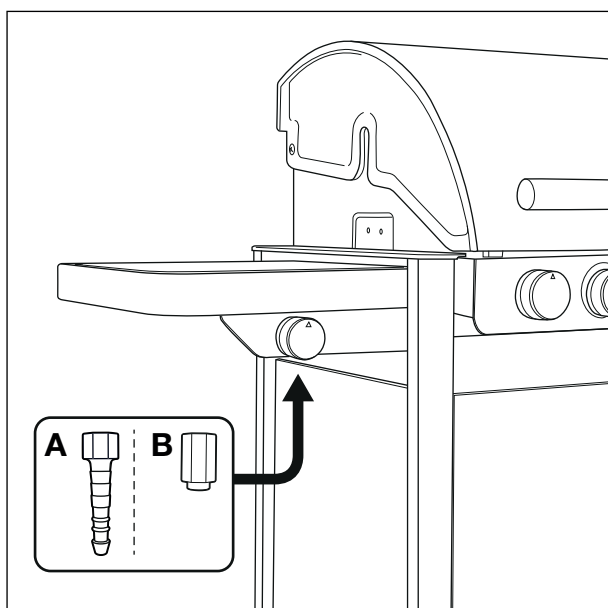
6.3 Racordarea furtunului la aparat

Pentru a racorda furtunul de gaz la aparat, trebuie să montați un cuplaj pe butelia de gaz a aparatului. Aparatul vine echipat cu două cuplaje, ambele destinate anumitor țări:

Țară	Cuplaj
BE, CH, CZ, DK, ES, FI, GB, IE, IT, PT, SI	Cuplajul A
FR	Cuplajul B



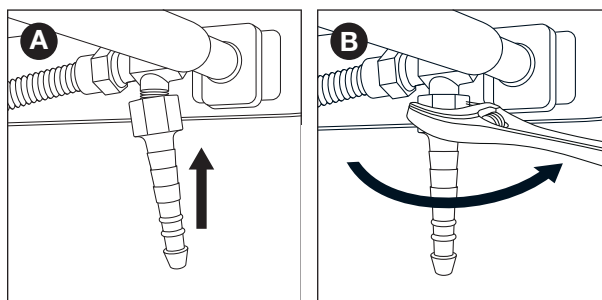
Dacă țara dvs. nu se află în tabel, utilizați cuplajul care respectă cerințele țării dvs.



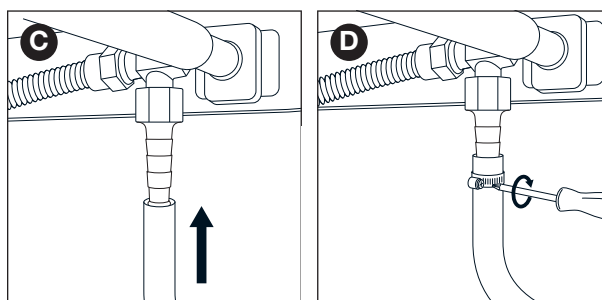
6.3.1 CUPLAJUL A

Aveți nevoie de o cheie de 19 mm și o șurubelniță în cruce.

- 1 Înșurubați cuplajul pe tubul de gaz al aparatului (A) și strângeți-l cu cheia de 19 mm (B).



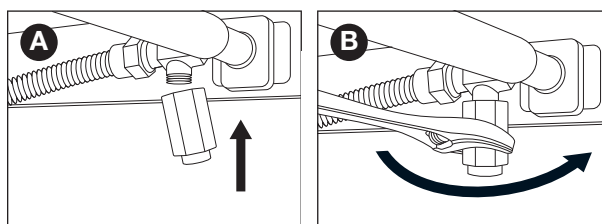
- 2 Introduceți furtunul în cuplaj (C) și strângeți clemă de prindere cu o șurubelniță în cruce (D).



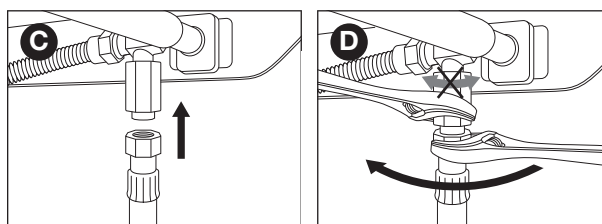
6.3.2 CUPLAJUL B

Aveți nevoie de o cheie de 22 mm și o cheie reglabilă.

- 1 Înșurubați cuplajul pe tubul de gaz al aparatului (A) și strângeți-l cu cheia de 22 mm (B).



- 2 Înșurubați furtunul de gaz pe cuplaj (C) și strângeți-l cu două chei. Țineți cuplajul folosind cheia de 22 mm, în timp ce rotiți furtunul cu ajutorul cheii reglabile (D).

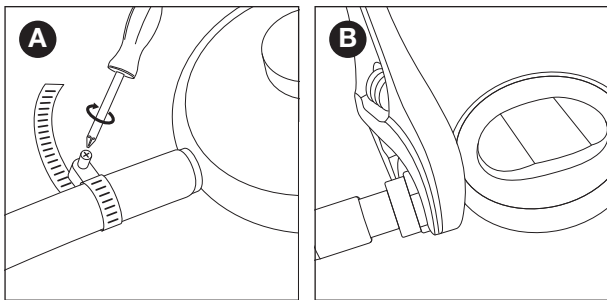


6.4 Conectarea furtunului și buteliei la regulator

În funcție de tipul regulatorului de presiune folosit, aveți nevoie de o șurubelniță în cruce și/sau de o cheie reglabilă.

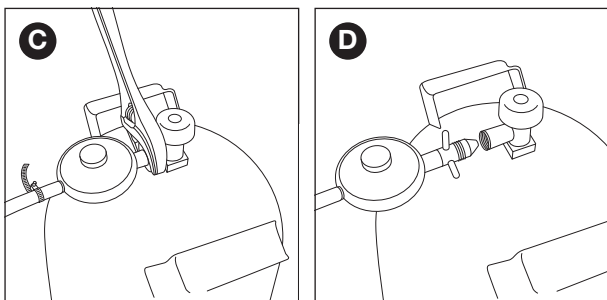
- 1 Conectați furtunul la regulatorul de presiune. Efectuați una dintre următoarele acțiuni:
 - Dacă furtunul este prevăzut cu o clemă de prindere, introduceți furtunul în regulator și strângeți clemă de prindere cu șurubelnița în cruce (A).

- Dacă furtunul este prevăzut cu o piuliță, înșurubați furtunul pe regulator și strângeți piulița cu o cheie reglabilă (B).



2 Conectați regulatorul de presiune la butelia de gaz. Efectuați una dintre următoarele acțiuni:

- Dacă regulatorul este prevăzut cu o piuliță, înșurubați furtunul în sens orar pe butelie și strângeți piulița cu o cheie reglabilă (C).
- Dacă regulatorul este prevăzut cu filet, înșurubați regulatorul în sens antiorar pe butelie (D).



6.5 Înlocuirea buteliei

- 1 Închideți alimentarea cu gaz și setați toate butoanele de comandă pe OFF.
- 2 Deconectați butelia goală și conectați butelia plină.
- 3 Verificați dacă butelia, furtunul și toate racordurile prezintă scurgeri de gaz. Vedeți "7 Verificarea scurgerilor de gaz".


7 VERIFICAREA SCURGERILOR DE GAZ

7.1 De ce este necesară verificarea scurgerilor de gaz?

Propanul și butanul sunt mai grele decât aerul. Ca urmare, aceste gaze nu se dispersează atunci când ies din aparat. În special în zilele în care nu adie vântul, o scurgere poate provoca acumularea de gaze în jurul și în interiorul aparatului. Gazele acumulate se pot aprinde ulterior și pot provoca explozii.

7.2 Când trebuie verificate scurgerile de gaz?

- Înainte de prima utilizare sau înainte de prima utilizare după o lungă perioadă de nefolosire.

 Dacă aparatul a fost asamblat de către reprezentantul dvs., verificați de asemenea prezența scurgerilor de gaz.

- De fiecare dată când înlocuiți o componentă de gaz.
- Cel puțin o dată pe an, de preferat la începutul sezonului.

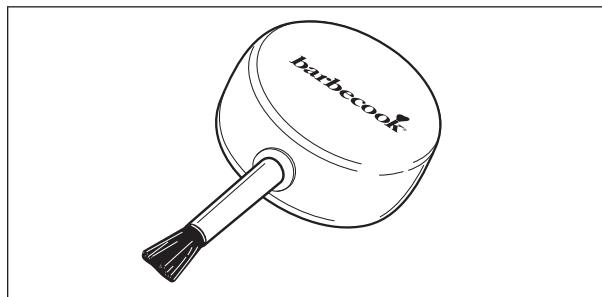
7.3 Instrucțiuni privind siguranța

- Așezați aparatul în aer liber, într-o zonă bine aerisită. Asigurați-vă că în apropierea aparatului nu există flăcări sau surse de căldură.
- Nu utilizați niciodată o brichetă sau un chibrit pentru a verifica scurgerile de gaz.
- Nu fumați și nu aprindeți arzătoarele atunci când verificați scurgerile de gaz.

7.4 Ce materiale sunt necesare?

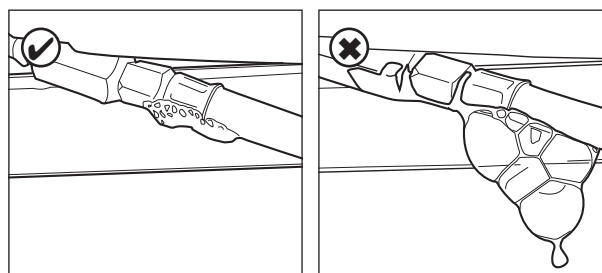
Pentru a verifica scurgerile de gaz, aveți nevoie de:

- Un lichid de test. Puteți folosi un spray pentru scurgeri sau un amestec de apă (50%) și săpun de vase (50%).
- Instrumentul pentru depistarea scurgerilor cu care a venit echipat aparatul. Îl puteți folosi ca să aspirați lichidul de test și să îl aplicați pe componenta sau racordul de gaz pe care doriți să le verificați.



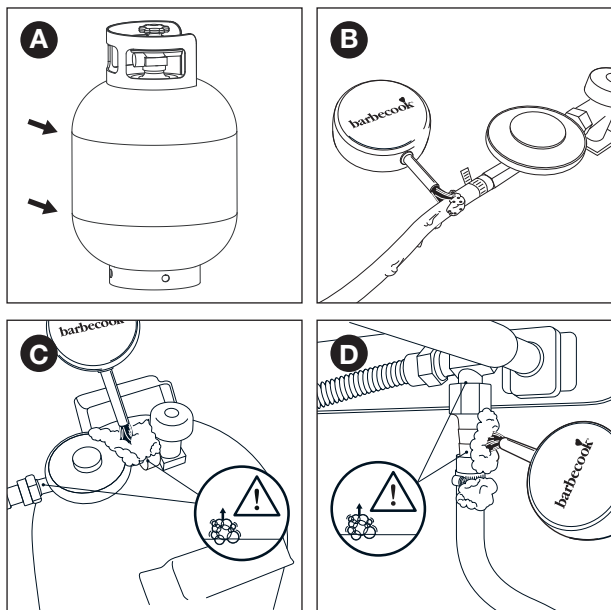
7.5 Pentru a verifica scurgerile de gaz

Verificați scurgerile de gaz aplicând un lichid de test pe toate componentele și racordurile de gaz. Dacă bulele de pe o anumită componentă sau un anumit racord cresc, există o scurgere de gaz:



Pentru a verifica scurgerile de gaz, efectuați următoarele:

- 1 Așezați aparatul în aer liber.
- 2 Luați instrumentul pentru depistarea scurgerilor și lichidul de test (spray pentru scurgeri sau amestec din apă/săpun).
- 3 Deschideți capacul și setați toate butoanele de comandă pe OPRIT.
- 4 Deschideți ușor alimentarea cu gaz. Rotiți clapeta buteliei de gaz o singură dată.
- 5 Aspirați lichidul de test folosind instrumentul pentru depistarea scurgerilor și aplicați-l pe zona pe care doriți să o verificați. Trebuie să verificați:
 - Sudurile buteliei de gaz (A)
 - Furtunul (B)
 - Racordurile dintre butelie și regulatorul de presiune și dintre regulatorul de presiune și furtun (C)
 - Racordul dintre furtun și aparat (D)



i Regulatorul de presiune și cuplajul pot fi diferite de cele din imagini.

- 6 Efectuați una dintre următoarele acțiuni:
- Dacă depistați o scurgere, continuați după cum este descris în “În cazul unei scurgeri de gaz”.
 - Dacă nu există scurgeri, închideți alimentarea cu gaz, clătiți bine toate componentele cu apă și uscați-le.

7.6 În cazul unei scurgeri de gaz

- 1 Închideți alimentarea cu gaz și efectuați una dintre următoarele acțiuni:
 - Dacă ați depistat o scurgere la unul dintre racorduri, strângeți acel racord.
 - Dacă ați detectat o scurgere la butelia de gaz sau furtun, înlocuiți butelia sau furtunul.
- 2 Verificați din nou racordul sau componenta la care ați depistat scurgerea.
- 3 Dacă scurgerea nu a fost remediată, contactați un reprezentant Barbecue. Nu utilizați aparatul până când scurgerea nu este remediată.

i Pentru o listă cu reprezentanți Barbecue locali, consultați www.barbecue.com.

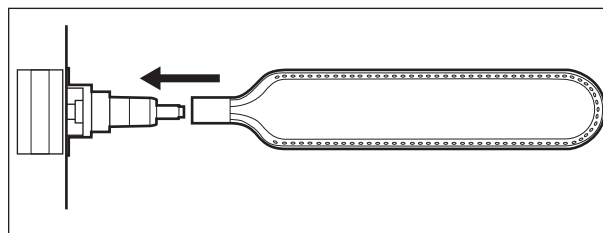
8 PREGĂTIREA APARATULUI PENTRU UTILIZARE

8.1 Înainte de fiecare utilizare

De fiecare dată când folosiți aparatul, asigurați-vă că:

- Aparatul se află într-un loc adecvat. Vedeți “3.3 Selectarea unui loc adecvat”.
- Furtunul de gaz nu este întins pe sol și nu intră în contact cu o suprafață fierbinte sau grăsime care picură.
- Vasul este curat. Înainte de fiecare utilizare, vă recomandăm să așezați o Leaf® nouă în vas. Vedeți “11.2 Curățarea vasului”.
- Arzătoarele și difuzoarele de aer nu sunt obturate de cuiburi de insecte sau pânze de păianjen. Vedeți “11.3 Curățarea arzătoarelor și a difuzoarelor de aer”.
- Aparatul este montat corect. Acordați o atenție specială:

- Capacelor de arzătoare. Fiecare capac trebuie așezat deasupra arzătorului corespunzător. Vedeți “4.2 Capace pentru arzătoare”.
- Difuzoarele de aer ale arzătoarelor. Acestea trebuie așezate deasupra orificiilor supapelor de gaz.



i Dacă doriți să fiți absolut sigur că racordul dvs. de gaz este în regulă, puteți verifica dacă aparatul prezintă scurgeri de gaz înainte de fiecare utilizare. Vedeți “7 Verificarea scurgerilor de gaz”.

8.2 Înainte de prima utilizare (după o lungă perioadă)

Dacă utilizați aparatul pentru prima dată sau pentru prima dată după o lungă perioadă de nefolosire, trebuie să efectuați câteva verificări suplimentare:

- Asigurați-vă că ați citit, înțeles și verificat toate instrucțiunile din acest manual (numai înainte de prima utilizare).
- Verificați dacă aparatul prezintă scurgeri de gaz. Vedeți “7 Verificarea scurgerilor de gaz”.



Dacă aparatul a fost asamblat de către reprezentantul dvs., verificați de asemenea prezența scurgerilor de gaz.

- Curățați arzătoarele și difuzoarele de aer (numai înainte de prima utilizare după o lungă perioadă). Vedeți i “11.3 Curățarea arzătoarelor și a difuzoarelor de aer”.
- Aprindeți aparatul înainte să așezați alimente pe acesta (numai înainte de prima utilizare). Vedeți i “8.3 Aprinderea aparatului”.

8.3 Aprinderea aparatului

Aprinzând aparatul înainte de prima utilizare, îndepărtați de pe aparat unsoarea rămasă din fabricație. Procedați după cum urmează:

- 1 Aprindeți arzătoarele principale și reglați butoanele acestora la HIGH. Vedeți “9.2 Aprinderea arzătoarelor principale”.
- 2 Închideți capacul și lăsați aparatul aprins timp de 15 minute. Încă nu puneți alimente pe grătar.
- 3 După 15 minute, deschideți capacul și lăsați aparatul aprins pentru încă 5 minute (butoanele de comandă vor fi în continuare reglate la HIGH).
- 4 După 5 minute, aparatul este pregătit pentru utilizare. Acum puteți să așezați alimente pe grătar.

9 APRINDEREA ARZĂTOARELOR

i Pentru a aprinde arzătoarele cu aprinzătorul electric, trebuie să introduceți o baterie AA în aprinzător. Această baterie nu este furnizată împreună cu aparatul. Carcasa pentru baterie a aprinzătorului o puteți găsi în interiorul dulapului aparatului.

9.1 Instrucțiuni privind siguranța

- Înainte să aprindeți aparatul, efectuați toate verificările enumerate în "8 Pregătirea aparatului pentru utilizare".
- Asigurați-vă că întotdeauna capacul este deschis atunci când aprindeți un arzător.
- Nu vă aplecați direct asupra arzătorului atunci când îl aprindeți.

9.2 Aprinderea arzătoarelor principale

9.2.1 UTILIZAREA APRINZĂTORULUI

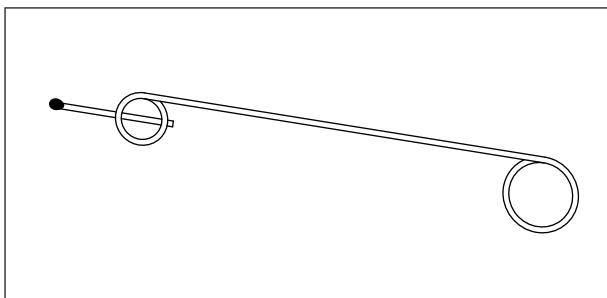
- 1 Deschideți capacul și setați toate butoanele de comandă ale arzătoarelor principale pe OFF.
- 2 Dacă niciun alt arzător nu este aprins, deschideți alimentarea cu gaz și așteptați zece secunde. Acest lucru permite stabilizarea gazului.
- 3 Apăsăți butonul de comandă al unui arzător, setați-l la HIGH și mențineți-l apăsat câteva clipe. Aprinzătorul integrat va produce scântei care vor aprinde arzătorul.

! Pentru început, aprindeți întotdeauna un singur arzător principal. Nu aprindeți niciodată toate arzătoare principale în același timp.

- 4 Dacă arzătorul nu se aprinde după trei încercări, setați butonul de comandă al acestuia la OFF, închideți alimentarea cu gaz și așteptați 5 minute. Acest lucru permite degajarea gazelor acumulate.
- 5 Încercați din nou să aprindeți arzătorul. Dacă în continuare acesta nu se aprinde, încercați să îl aprindeți folosind un chibrit sau consultați "14 Depanare" pentru a determina cauza problemei.

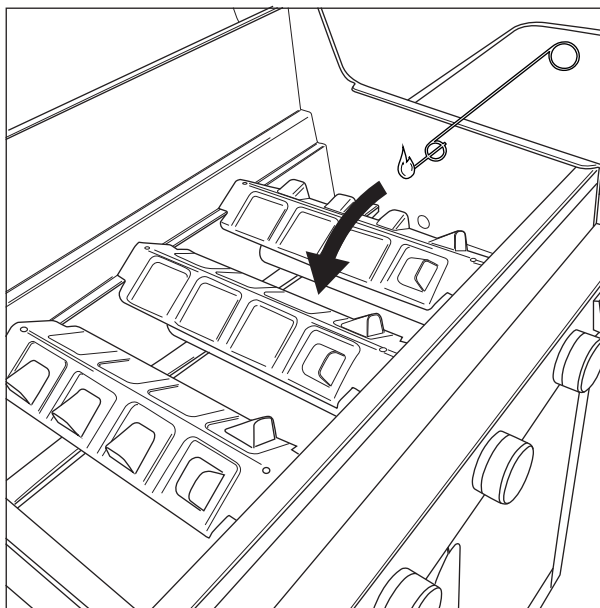
9.2.2 FOLOSIREA UNUI CHIBRIT

- 1 Așezați chibritul în suportul pentru chibrituri.



- 2 Deschideți capacul și setați toate butoanele de comandă ale arzătoarelor principale pe OFF.
- 3 Dacă niciun alt arzător nu este aprins, deschideți alimentarea cu gaz și așteptați zece secunde. Acest lucru permite stabilizarea gazului.

- 4 Aprindeți chibritul și țineți-l la o distanță de 13 mm de arzător.



- 5 Setați butonul de comandă al arzătorului la HIGH.

! Pentru început, aprindeți întotdeauna un singur arzător principal. Nu aprindeți niciodată toate arzătoare principale în același timp.

- 6 Dacă arzătorul nu se aprinde în 5 secunde, setați butonul de comandă al acestuia la OFF, închideți alimentarea cu gaz și așteptați 5 minute. Acest lucru permite degajarea gazelor acumulate.
- 7 Încercați din nou să aprindeți arzătorul. Dacă arzătorul tot nu se aprinde, consultați "14 Depanare" pentru a determina cauza acestei probleme.

9.3 Aprinderea arzătorului lateral

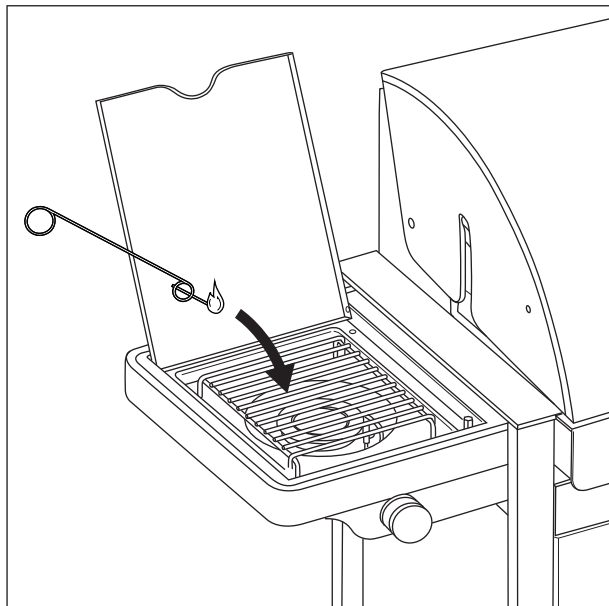
! Arzătorul lateral poate suporta vase cu o greutate maximă de 9 kg și diametru maxim de 220 mm.

9.3.1 UTILIZAREA APRINZĂTORULUI

- 1 Deschideți capacul și setați butonul de comandă al arzătorului lateral pe OFF.
- 2 Dacă niciun alt arzător nu este aprins, deschideți alimentarea cu gaz și așteptați zece secunde. Acest lucru permite stabilizarea gazului.
- 3 Apăsăți butonul de comandă al arzătorului lateral, setați-l la HIGH și mențineți-l apăsat câteva clipe. Aprinzătorul integrat va produce scântei care vor aprinde arzătorul lateral.
- 4 Dacă arzătorul nu se aprinde după trei încercări, setați butonul de comandă al acestuia la OFF, închideți alimentarea cu gaz și așteptați 5 minute. Acest lucru permite degajarea gazelor acumulate.
- 5 Încercați din nou să aprindeți arzătorul lateral. Dacă în continuare acesta nu se aprinde, încercați să îl aprindeți folosind un chibrit sau consultați "14 Depanare" pentru a determina cauza problemei.

9.3.2 FOLOSIREA UNUI CHIBRIT

- 1 Așezați chibritul în suportul pentru chibrituri.
- 2 Deschideți capacul și setați butonul de comandă al arzătorului lateral pe OFF.
- 3 Dacă niciun alt arzător nu este aprins, deschideți alimentarea cu gaz și așteptați zece secunde. Acest lucru permite stabilizarea gazului.
- 4 Aprindeți chibritul și țineți-l la o distanță de 13 mm de arzătorul lateral.



- 5 Setați butonul de comandă al arzătorului lateral la HIGH.
- 6 Dacă arzătorul lateral nu se aprinde în 5 secunde, setați butonul de comandă al acestuia la OFF, închideți alimentarea cu gaz și așteptați 5 minute. Acest lucru permite degajarea gazelor acumulate.
- 7 Încercați din nou să aprindeți arzătorul lateral. Dacă arzătorul tot nu se aprinde, consultați "14 Depanare" pentru a determina cauza acestei probleme.

9.4 Închiderea arzătoarelor

Dacă nu mai folosiți arzătoarele, va trebui să le închideți. Procedați după cum urmează:

- 1 Închideți alimentarea cu gaz.
- 2 Setați butoanele de comandă ale arzătoarelor la OFF.



Închizând mai întâi alimentarea cu gaz, vă asigurați că tot gazul va fi eliminat din aparat.

9.5 Reapriinderea arzătoarelor

Dacă un arzător se stinge în timpul funcționării, procedați după cum urmează:

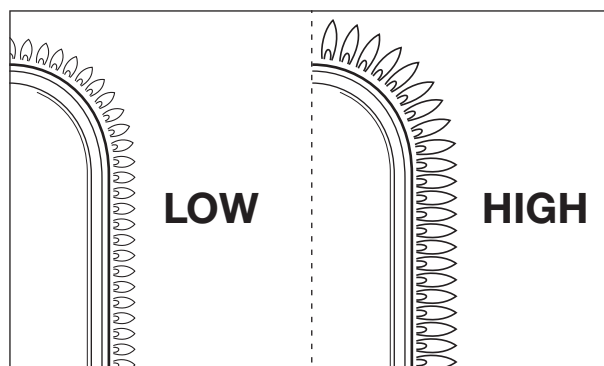
- 1 Deschideți capacul și închideți alimentarea cu gaz.
- 2 Setați toate butoanele la OFF și așteptați 5 minute. Acest lucru permite degajarea gazelor acumulate.
- 3 Reaprindeți arzătorul(arzătoarele).

9.7 Verificarea flăcărilor

De fiecare dată când aprindeți un arzător, trebuie să îi verificați flăcărilor. O flacără perfectă este aproape complet albastră, cu o tentă galbenă în vârf. Flăcărilor sporadice de culoare galbenă sunt normale și nu periculoase.

Dacă ceva nu este în regulă cu flăcărilor, efectuați una dintre următoarele pentru a remedia problema:

Dacă flăcărilor sunt...	Efectuați următoarea acțiune...
Flacără slabă și complet galbenă	<ol style="list-style-type: none">1 Închideți imediat alimentarea cu gaz și setați toate butoanele de comandă pe OFF.2 Consultați "14 Depanare" pentru a determina cauza acestei probleme. Cel mai probabil, difuzoarele de aer sunt blocate.
Flăcărilor depășesc înălțimea vasului	<ol style="list-style-type: none">1 Închideți imediat alimentarea cu gaz și setați toate butoanele de comandă pe OFF.2 Așteptați 5 minute pentru a permite degajarea gazelor acumulate.3 Reaprindeți arzătorul(arzătoarele).4 Dacă problema persistă, consultați "14 Depanare" pentru a determina cauza acestei probleme.



10 RECOMANDĂRI UTILE

10.1 Preîncălzirea aparatului

Preîncălzind aparatul, vă asigurați că grătarul este suficient de fierbinte până când urmează să așezați alimente pe el. Procedați după cum urmează:

- 1 Aprindeți arzătorul(arzătoarele) principal(e) și reglați butonul(butoanele) acestuia(acestora) la HIGH.
- 2 Închideți capacul și lăsați aparatul timp de zece minute.
- 3 După zece minute, deschideți capacul și așezați alimente pe grătar.
- 4 Dacă doriți mai puțină căldură, setați butonul(butoanele) într-o poziție inferioară.

10.2 Prevenirea lipirii alimentelor


Pentru a preveni ca alimentele să se lipească pe grătar:

- Înainte de a le pune pe grătar, ungeți ușor alimentele cu o pensulă. De asemenea, puteți unge grătarul.
- Preîncălziți aparatul. Cu cât este mai fierbinte grătarul atunci când puneți alimentele pe acesta, cu atât se vor lipi mai puțin alimentele.
- Nu întoarceți alimentele prea repede. Lăsați-le să acumuleze căldură.

10.3 Preparare directă și indirectă

În funcție de tipul de alimente și modul în care urmează să le preparați, puteți prepara în mod direct sau indirect:


Metodă	Descriere	Utilizare
Directă	Așezați alimentele direct deasupra unui arzător aprins, reglați arzătorul în poziție ridicată și lăsați capacul deschis.	Pentru carne și legume călite
Indirectă	Așezați alimentele direct deasupra unui arzător aprins, reglați arzătorul în poziție medie/joasă și închideți capacul.	Pentru a găti în continuare carnea călită

 Atunci când preparați la grătar cu capacul închis, fiți îndeosebi atenți la termometrul capacului, pentru a vă asigura că aparatul nu se încinge excesiv. Vedeți "10.5 Verificarea temperaturii".

10.4 Prepararea la grătar cu capacul închis

Închiderea capacului în timpul preparării la grătar are câteva avantaje importante:

- Temperatura grătarului este mai ridicată și se menține constantă.
- Reduceți timpul de preparare a alimentelor și păstrați alimentele mai suculente.
- Reduceți flamele și economisiți gazul.

 Atunci când preparați la grătar cu capacul închis, fiți îndeosebi atenți la termometrul capacului, pentru a vă asigura că aparatul nu se încinge excesiv. Vedeți "10.5 Verificarea temperaturii".

10.5 Verificarea temperaturii

Aparatul dvs. este echipat cu arzătoare puternice, prin urmare se încinge foarte repede și puteți menține o temperatură constantă. Totuși, atunci când preparați la grătar cu capacul închis, trebuie să vă asigurați că aparatul nu se încinge excesiv. Fiți atenți la termometrul de pe capac și țineți cont de următoarele îndrumări:

- Temperatura normală de gătire este de aproximativ 210 °C. La temperaturi superioare, picurarea grăsimii acumulate se poate aprinde.
- Temperatura nu trebuie să depășească niciodată 300 °C pentru mai mult de cinci minute. Acest lucru poate deteriora și deforma aparatul.



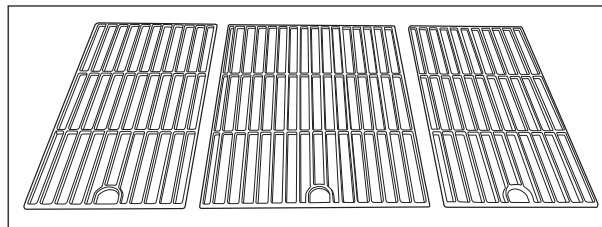
Dacă aparatul se încinge excesiv, îl puteți răci deschizând capacul și reglând arzătoarele într-o poziție inferioară.

10.6 Utilizarea optimă a căldurii

Partea centrală a vasului este mai fierbinte decât părțile laterale. Pentru a putea să utilizați partea fierbinte la potențial maxim, aparatul este echipat cu grătare de diferite dimensiune. Acesta vine cu:

- Un grătar mare, care va fi așezat în centrul vasului.
- Două grătare mai mici, care vor fi așezate în părțile laterale ale vasului.

Dacă așezați grătarele corect în vas și aprindeți toate arzătoarele, întreaga suprafață a grătarului central va fi încălzită la maxim. În acest fel, măriți cea mai fierbinte suprafață a vasului și vă bucurați de utilizarea optimă a suprafeței grătarului dvs.



10.7 Cum să profitați de zonele de căldură

Atunci când toate arzătoarele sunt aprinse, capacele acestora distribuie căldura cât mai uniform posibil pe grătar. În ciuda acestei călduri constante, anumite zone sunt mai calde decât altele. Puteți profita de aceste zone de căldură pentru a prepara alimentele la perfecțiune:

Zonă	Nivel de căldură	Utilizată pentru...
Față	Cald	Prepararea alimentelor delicate (creveți, pește etc.)
Centrală	Mediu	Prepararea alimentelor care necesită timp îndelungat de gătire (de exemplu, cârnați, pulpe de pui etc.)
Spate	Fierbinte	Călirea cărnii și legumelor



Puteți, de asemenea, să creați zone de căldură prin setarea puterii arzătoarelor. De exemplu, puteți regla un arzător într-o poziție inferioară și puteți utiliza zona de deasupra arzătorului pentru alimente delicate sau pentru alimente care necesită timp îndelungat pentru gătire

10.8 Evitarea flamelor

În timpul preparării la grătar, apariția câtorva flame este normală. Totuși, prea multe flame cresc temperatura în aparat și pot aprinde grăsimea acumulată. Pentru a evita flamele:

- Când începeți prepararea la grătar, asigurați-vă că vasul este curat. Înainte de fiecare utilizare, vă recomandăm să așezați o Leaf® nouă în vas. Vedeți "11.2 Curățarea vasului".
- Verificați regulat dacă orificiul de scurgere a grăsimii este obturat și dacă tava în care se scurge grăsimea este plină.
- Atunci când preparați carne grasă, eliminați grăsimea în exces, închideți capacul și setați arzătoarele în poziție medie sau joasă.

11 ÎNTREȚINEREA APARATULUI

11.1 Curățarea grătarului

Vă recomandăm să curățați grătarul după fiecare utilizare cu Barbecook cleaner. Procedați după cum urmează:

- 1 Aplicați spuma pe grătar și lăsați-o să acționeze un timp. Spuma se decolorează și absoarbe murdăria și grăsimile.
- 2 Îndepărtați spuma cu un burete moale și apă și clătiți complet grătarul.
- 3 Uscați bine grătarul și depozitați-l într-un loc uscat. Acest lucru previne formarea ruginii.



De asemenea, puteți curăța grătarul cu un detergent delicat sau cu bicarbonat de sodiu. Nu utilizați niciodată substanțe de curățat cuptorul pe grătar.

11.2 Curățarea vasului

Vă recomandăm să curățați vasul după fiecare utilizare. Cea mai ușoară metodă este să așezați o Leaf® în vas înainte de a-l aprinde. Leaf® este o folie care se potrivește perfect cu vasul și care acumulează toate reziduurile și grăsimea. Atunci când aparatul s-a răcit, doar îndepărtați Leaf® și vasul este curat.



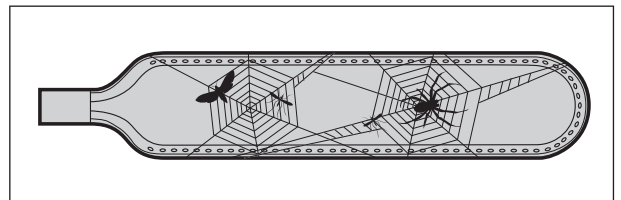
Înregistrați aparatul la www.barbecook.com pentru a găsi tipul de Leaf® potrivită.

11.3 Curățarea arzătoarelor și a difuzoarelor de aer

11.3.1 DE CE TREBUIE CURĂȚATE ARZĂTOARELE ȘI DIFUZOARELE DE AER?

Păienjenii și insectele își pot face plase și cuiburi în arzătoare sau difuzoarele de aer. Acestea pot bloca alimentarea cu gaz către arzătoare. Ca urmare:

- Nu puteți aprinde arzătoarele. Dacă totuși reușiți să le aprindeți, acestea vor produce doar flăcări cu fum și flăcări galbene.
- Gazul se poate aprinde în afara difuzoarelor de aer, în dreptul butoanelor de comandă. Aceste incendii sunt denumite retur de flamă și pot provoca răniri grave și distrugerii materiale.



Pagubele cauzate de arzătoarele și difuzoarele de aer blocate sunt considerate ca întreținere inadecvată și nu sunt acoperite de garanție.

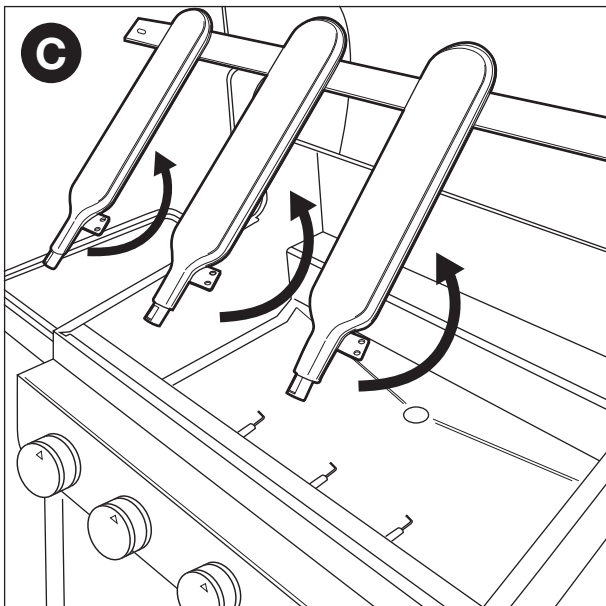
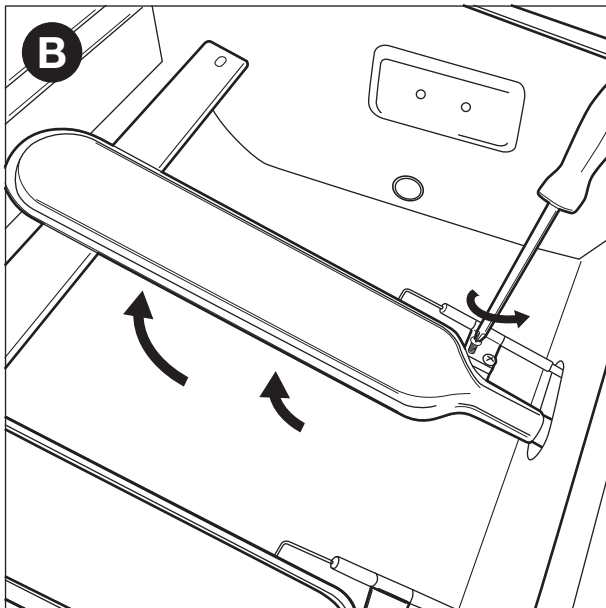
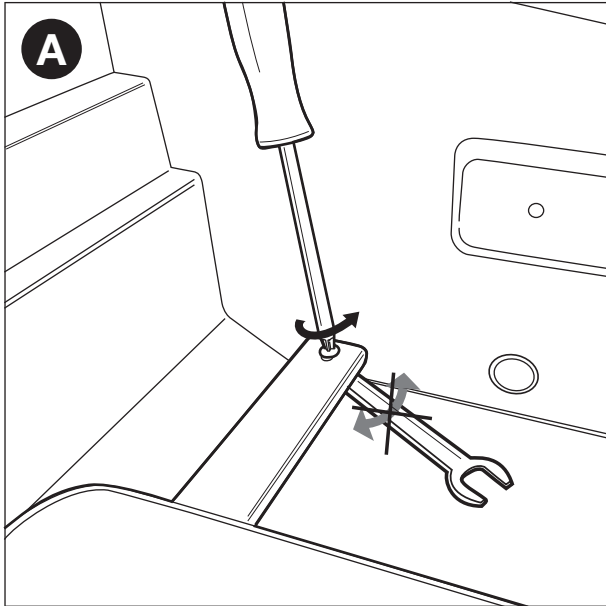
11.3.2 CÂND TREBUIE CURĂȚATE ARZĂTOARELE ȘI DIFUZOARELE DE AER?

Trebuie să curățați arzătoarele și difuzoarele de aer ale aparatului dvs.:

- Înainte de prima utilizare după o lungă perioadă de nefolosire.
- De cel puțin două ori pe an, dintre care o dată la începutul sezonului.

11.3.3 PENTRU A CURĂȚA ARZĂTOARELE ȘI DIFUZOARELE DE AER

- 1 Scoateți arzătoarele din aparat conform ilustrațiilor. Dacă observați faptul că un arzător este deteriorat, trebuie să îl înlocuiți.



- 2 Curățați arzătoarele și difuzoarele de aer cu o perie mică sau un dispozitiv casnic de curățat țevi (o agrafă desfăcută, o perie tubulară etc.).
- 3 Montați arzătoarele la loc. Asigurați-vă că difuzoarele de aer sunt așezate deasupra orificiilor supapelor de gaz.

11.4 Întreținerea părților din email, oțelul inoxidabil, și a celor acoperite cu pulbere

Aparatul este compus din piese emailate, din oțel inoxidabil și acoperite cu pulbere. Fiecare material trebuie întreținut în mod diferit:

Material	Modul de întreținere a acestui material
Email	<ul style="list-style-type: none"> Nu utilizați obiecte ascuțite și nu loviți pe o suprafață dură. Evitați contactul cu lichide reci în timp ce acesta este încă fierbinte. Puteți folosi bureți metalici și detergenți abrazivi.
Oțel inoxidabil	<ul style="list-style-type: none"> Nu folosiți detergenți agresivi, abrazivi sau pe bază de ioni metalici. Folosiți detergenți cu acțiune delicată și lăsați-i să acționeze pe oțel. Utilizați o lavetă sau un burete moale. Înainte de depozitare, clătiți bine după curățare și uscați complet.
Acoperit cu pulbere	<ul style="list-style-type: none"> Nu utilizați obiecte ascuțite. Utilizați detergenți cu acțiune delicată și o lavetă sau un burete moale. Înainte de depozitare, clătiți bine după curățare și uscați complet.

⚠ Pentru a preveni formarea de rugină pe oțelul inoxidabil, evitați contactul cu clorul, sarea și fierul. Vă recomandăm să nu utilizați aparatul în apropierea litoralului, lângă calea ferată sau lângă piscine.

⚠ Pagubele cauzate de nerespectarea acestor instrucțiuni sunt considerate ca întreținere inadecvată și nu sunt acoperite de garanție.

Sub prezentarea pe părți componente a aparatului dumneavoastră (partea a doua a manualului), găsiți o listă cu toate piesele din care este compus aparatul. Această listă include un simbol care specifică materialul din care este compusă fiecare piesă, astfel încât puteți să o utilizați pentru a verifica modul în care trebuie să întrețineți o anumită piesă. Listele de piese utilizează următoarele simboluri:

Simbol	Material
●	Email
■	Oțel inoxidabil
★	Acoperit cu pulbere

11.5 Depozitarea aparatului

Dacă nu utilizați aparatul pentru o perioadă îndelungată de timp, depozitați-l într-o loc uscat. Înainte de a depozita aparatul:

- Deconectați butelia de gaz. Nu depozitați niciodată aparatul în spații închise (nici măcar într-un garaj sau șopron) dacă acesta este conectat la butelia de gaz.
- Curățați arzătoarele și grătarele, ungeți-le cu ulei și ambalați-le în hârtie.

- Dacă aparatul dvs. este echipat cu arzător pentru rotisor, demontați motorul acestuia și depozitați-l într-un loc uscat.
- Acoperiți aparatul cu o husă Barbecue. Înregistrați aparatul la www.barbecue.com pentru a găsi husa potrivită.

11.6 Depozitarea buteliilor de gaz


Aceste instrucțiuni se aplică atât buteliilor de gaz pline cât și celor goale.

- Depozitați întotdeauna buteliile cu gaz în aer liber, într-o zonă bine aerisită. Asigurați-vă că acestea nu sunt expuse la căldură excesivă și la razele soarelui.
- Nu depozitați niciodată o butelie de gaz într-o zonă care se poate încălzi excesiv (într-o mașină, barcă etc.).
- Nu depozitați niciodată butelia de gaz sau pe cea de rezervă în dulapul în care se află aparatul dvs.
- Nu depozitați niciodată butelia de gaz de rezervă în apropierea unui aparat aflat în funcțiune.
- Depozitați întotdeauna buteliile de gaz astfel încât să nu fie la îndemâna copiilor.
- Depozitați și transportați întotdeauna buteliile de gaz în poziție verticală.

11.7 Comandarea pieselor de schimb

Piese care sunt expuse în mod direct la foc sau căldură puternică trebuie înlocuite din când în când. Pentru a comanda o piesă de schimb:

- 1 Căutați numărul de referință al piesei de care aveți nevoie. Veți găsi o listă cu toate numerele de referință sub prezentarea pe părți componente din partea a doua a acestui manual și pe www.barbecue.com.

 Dacă ați înregistrat aparatul online, veți fi ghidat automat la lista corectă.

- 2 Comandați piesa de schimb de la punctul de vânzare local. Puteți comanda piese în garanție sau în afara acesteia.

12 GARANȚIE

12.1 Sunt acoperite

Aparatul dumneavoastră dispune de o garanție de doi ani, începând de la data achiziției. Această garanție acoperă toate defectele de fabricație, dacă:

- Utilizați, asamblați și întrețineți aparatul conform instrucțiunilor din acest manual. Pagubele cauzate de utilizarea greșită, asamblarea incorectă sau întreținerea inadecvată nu sunt considerate defecte de fabricație.
- Puteți prezenta factura și numărul unic de serie al aparatului. Acest număr de serie începe cu G, urmat de 15 cifre. Îl puteți găsi:
 - Pe acest manual și pe pachetul introductiv, care include manualul.
 - Pe ambalajul aparatului.
 - Pe tipul de etichetă de pe interiorul ușii dulapului (Quisson, Siesta 4 și Siesta 6) sau pe interiorul părții inferioare a panoului frontal (Spring, Siesta 2 și Siesta 3).
- Departamentul de calitate al Barbecue confirmă că piesele sunt defecte și că acestea s-au dovedit defecte în timpul utilizării normale, asamblării corecte și întreținerii adecvate.

Dacă una dintre condițiile de mai sus nu este îndeplinită, nu puteți pretinde nicio despăgubire. În toate cazurile, garanția este limitată la repararea sau înlocuirea pieselor defecte.

12.2 Nu sunt acoperite

Următoarele pagube și defecte nu sunt acoperite de garanție:

- Uzura normală (ruginirea, deformarea, decolorarea etc.) pieselor care sunt expuse direct la foc sau la căldură intensă. Este normal să înlocuiți aceste piese din când în când.
- Neregularitățile vizibile care nu pot fi evitate în timpul procesului de fabricație. Aceste neregularități nu sunt considerate ca fiind defecte de fabricație.
- Toate daunele cauzate de întreținerea inadecvată, depozitarea incorectă, asamblarea greșită sau modificări aduse pieselor preasamblate.
- Toate daunele cauzate de utilizarea greșită și abuzivă a aparatului (neutilizarea acestuia în conformitate cu instrucțiunile din acest manual, utilizarea acestuia în scopuri comerciale etc.).
- Toate pagubele indirecte cauzate de utilizarea neglijentă sau neconformă a aparatului.
- Rugina sau decolorarea cauzate de influențe externe, utilizarea de detergenți agresivi, expunerea la clor etc. Aceste pagube nu sunt considerate ca fiind defecte de fabricație.

13 SPECIFICAȚII TEHNICE

13.1 Tipul de etichetă

Tipul de etichetă descrie toate specificațiile tehnice ale aparatului dvs. Îl puteți găsi:

- În a doua parte a acestui manual.
- Pe partea interioară a ușii dulapului.

13.2 Diametru injectoare

- Arzător principal: 0,991 mm
- Arzător lateral: 0,88 mm

14 DEPANARE

Problemă	Cauza(cauzele) posibilă(e)	Soluție(soluții)
Căldură insuficientă	<ul style="list-style-type: none"> Alimentarea nu gaz nu este deschisă Difuzoarele de aer nu sunt așezate deasupra orificiilor supapelor de gaz Orificiile arzătorului sunt blocate Butelia de gaz este (aproape) goală Regulatorul de presiune nu este conectat corespunzător la butelie și/sau furtun 	<ul style="list-style-type: none"> Deschideți alimentarea cu gaz Așezați difuzoarele de aer deasupra orificiilor supapelor de gaz Curățați orificiile arzătoarelor sau înlocuiți arzătoarele Înlocuiți butelia de gaz Reconectați regulatorul de presiune la butelie și/sau furtun
Căldură excesivă și/sau flame	<ul style="list-style-type: none"> Alimentele sunt prea grase Orificiul de scurgere a grăsimii este blocat, grăsime în vas și/sau grăsime pe arzătoare Capacele arzătoarelor nu sunt montate corespunzător Temperatura este prea ridicată 	<ul style="list-style-type: none"> Eliminați grăsimea în exces sau setați arzătoarele într-o poziție inferioară Curățați orificiul de scurgere a grăsimii, vasul și arzătoarele Montați corect capacele arzătoarelor Setați arzătoarele la o temperatură inferioară și/sau preparați la grătar prin metoda indirectă
Căldura nu este distribuită uniform peste suprafața grătarului	<p>Anumite diferențe de căldură sunt normale, vedeți "11.6 Utilizarea optimă a căldurii" și "11.7 Cum să profitați de zonele de căldură". Cauze posibile pentru diferențele mari de căldură:</p> <ul style="list-style-type: none"> Capacele arzătoarelor nu sunt montate corespunzător Aparatul nu a fost preîncălzit 	<ul style="list-style-type: none"> Montați corect capacele arzătoarelor Preîncălziți aparatul
Flăcări galbene	<ul style="list-style-type: none"> Arzătoarele sau difuzoarele de aer sunt blocate Sare pe arzătoare Aparatul este conectat la butan 	<ul style="list-style-type: none"> Curățați arzătoarele și difuzoarele de aer Curățați arzătoarele Conectați aparatul la propan, folosind un regulator de presiune corespunzător
Flacăra incompletă	Arzător blocat, perforat sau ruginit	Curățați sau înlocuiți arzătorul
Retururi de flamă (flăcări în exteriorul difuzoarelor de aer/pe butoanele de comandă)	Arzătoarele sau difuzoarele de aer sunt blocate	<ol style="list-style-type: none"> Închideți alimentarea cu gaz și setați butoanele pe OFF. Lăsați aparatul să se răcească. Curățați arzătoarele și difuzoarele de aer.
Flăcările sunt mai înalte decât marginea vasului	<ul style="list-style-type: none"> Vânt puternic Butelia de gaz este (aproape) goală Grăsime în vas și/sau pe arzătoare 	<ul style="list-style-type: none"> Așezați aparatul cu partea din spate spre direcția vântului Înlocuiți butelia de gaz Curățați vasul, arzătoarele și înlocuiți Leaf®
Regulatorul de presiune scoate un zgomot	<ul style="list-style-type: none"> Vreme caldă Butelie de gaz nouă (plină) 	Nu reprezintă un pericol sau o defecțiune. Trebuie să se oprească automat după un timp.
Arzătorul scoate un zgomot de fluierat când este setat pe LOW	Injectorul de gaz, difuzorul de aer și/sau arzătorul sunt murdare	Curățați injectorul de gaz, difuzorul de aer și arzătorul
Arzătorul nu se aprinde (folosind aprinzătorul sau un chibrit)	<ul style="list-style-type: none"> Arzătorul sau difuzorul de aer sunt blocate Nu există alimentare cu gaz 	<ul style="list-style-type: none"> Curățați arzătorul și difuzorul de aer Deschideți alimentarea cu gaz și apăsați butonul de siguranță de pe regulatorul de presiune (nu este prezent pe toate regulatoarele)
Arzătorul nu se aprinde cu aprinzătorul	<ul style="list-style-type: none"> Bateria nu este introdusă sau este introdusă incorect Cablajul aprinzătorului nu este montat corespunzător Electrodul este deteriorat Împământare defectă Aprinzător defect 	<ul style="list-style-type: none"> (Re)introduceți bateria, cu bornele poziționate corect Verificați și remontați toate conexiunile aprinzătorului Înlocuiți electrodul Verificați și remontați electrozii, arzătoarele și aprinzătorul Înlocuiți aprinzătorul

Problemă	Cauza(cauzele) posibilă(e)	Soluție(soluții)
Aprinzătorul nu produce scânteii sau sunete când este apăsat	<ul style="list-style-type: none"> Bateria nu este introdusă sau este introdusă incorect Baterie goală Butonul aprinzătorului nu este montat corespunzător Generatorul de scânteii este defect 	<ul style="list-style-type: none"> (Re)introduceți bateria, cu bornele poziționate corect Înlocuiți bateria Remontați butonul de aprindere Înlocuiți generatorul de scânteii
La apăsarea aprinzătorului se aud numai sunete (fără scânteii)	<ul style="list-style-type: none"> Împământare defectă Arzătorul și electrozii sunt prea depărtate 	<ul style="list-style-type: none"> Reconectați generatorul de scânteii și electrozii Îndoți puțin electrozii pentru a-i apropia de arzător
Scânteii prezente care nu provin de la arzătoare	Cablaj defect	Înlocuiți cablajul
Scânteii prezente, dar nu pe toți electrozii și/sau nu suficient de puternice	<ul style="list-style-type: none"> Împământare defectă Baterie descărcată Electrozii uzi sau defecti 	<ul style="list-style-type: none"> Reconectați generatorul de scânteii și electrozii Înlocuiți bateria Uscați electrozii cu prosoape de hârtie sau înlocuiți electrozii

CZ - UŽIVATELSKÁ PŘÍRUČKA


1	Registrujte svůj spotřebič.....	218	10	Užitečné tipy a triky	224
2	O této příručce	218		• Předehřívání spotřebiče	224
3	Důležité bezpečnostní pokyny	218		• Jak zabránit ulpívání pokrmů	224
	• Prostudujte si pokyny a dodržujte je	218		• Výměna plynové nádoby.....	224
	• Při práci s plynem buďte opatrní	218		• Grilování s uzavřeným víkem.....	224
	• Vyberte vhodné umístění	218		• Sledování teploty.....	224
	• Používejte zdravý rozum	218		• Výměna plynové nádoby.....	225
4	Opakované koncepty	218		• Využití výhod topných zón	225
	• Venturiho trubice	218		• Výměna plynové nádoby.....	225
	• Kryty hořáku	219	11	Údržba spotřebiče	225
	• Smalt	219		• Čištění grilu	225
	• Prudká vzplanutí.....	219		• Čištění mísy.....	225
5	Montáž spotřebiče	219		• Výměna plynové nádoby.....	226
	• Bezpečnostní pokyny	219		• Údržba součástí opatřených ochrannou vrstvou emailu, nebo práškového laku nebo z nerezové oceli	226
	• Sestavení spotřebiče	219		• Uskladnění spotřebiče	227
6	Připojení plynu ke spotřebiči.....	219		• Uložení plynových nádob.....	227
	• Která plynová nádoba, hadice a regulátor?	219		• Objednávání náhradních součástí.....	227
	• Bezpečnostní pokyny	220	12	Záruka	227
	• Připojení hadice ke spotřebiči	220		• Co je kryto.....	227
	• Připojení hadice a plynové nádoby k regulátoru	220		• Co není kryto.....	227
	• Výměna plynové nádoby	221	13	Technické údaje	228
7	Kontrola úniků plynu	221		• Typový štítek	228
	• Proč je nutné provádět kontrolu úniků plynu?.....	221		• Průměry trysek	228
	• Kdy je nutné provádět kontrolu úniků plynu?.....	221	14	Odstraňování poruch	229
	• Bezpečnostní pokyny	221			
	• Které materiály budu potřebovat?.....	221			
	• Kontrola úniků plynu.....	221			
	• V případě úniku plynu.....	222			
8	Příprava spotřebiče na použití	222			
	• Před každým použitím.....	222			
	• Před prvním použitím (po dlouhé době).....	222			
	• Zahoření spotřebiče	222			
9	Výměna plynové nádoby.....	221			
	• Bezpečnostní pokyny	222			
	• Zapálení hlavních hořáků	223			
	• Zapálení bočního hořáku.....	223			
	• Vypnutí hořáků	224			
	• Výměna plynové nádoby	224			
	• Kontrola plamenů	224			


1 REGISTRUJTE SVŮJ SPOTŘEBIČ

Děkujeme vám za zakoupení spotřebiče Barbecook! Jsme si jistí, že vám přinese mnoho příjemných okamžiků při grilování.

Chcete-li dosáhnout optimálních zážitků s naším spotřebičem, zaregistrujte si jej na webu www.barbecook.com. Trvá to jenom několik minut a přinese vám to některé rozsáhlé výhody.

- Získáte přístup k přizpůsobeným poprodejním službám. To vám například umožní rychle najít náhradní součásti pro svůj spotřebič nebo využívat optimální záruční služby
- Můžeme vás informovat o zajímavých inovacích našich produktů a poskytnout vám informace o produktech a specifikace, které jsou relevantní pro váš spotřebič.

 Další informace o registrování vašeho spotřebiče naleznete na webu www.barbecook.com.

 Barbecook respektuje vaše soukromí. Vaše údaje nebudou prodávány, distribuovány ani sdíleny se třetími stranami.

2 O TÉTO PŘÍRUČCE


Tato příručka je tvořena dvěma částmi:

- První část je tak, kterou čtete právě nyní. Patří sem pokyny pro montáž, použití a údržbu spotřebiče.
- Druhá část začíná na straně 379. Obsahuje všechny obrázky (rozložené pohledy, montážní výkresy) spotřebiče, které jsou v této příručce popsány.

3 DŮLEŽITÉ BEZPEČNOSTNÍ POKYNY

3.1 Prostudujte si pokyny a dodržujte je


Před použitím spotřebiče si prostudujte veškeré pokyny. Vždy pečlivě dodržujte pokyny. Montáž nebo použití spotřebiče jiným způsobem může způsobit požár a poškození materiálu.

 Škody způsobené nedodržáním následujících pokynů (nesprávná montáž, zneužití, nepřiměřená údržba) nejsou kryty zárukou.

3.2 Při práci s plynem buďte opatrní

Práce s plynem je dokonale bezpečná, vyžaduje však zvýšenou opatrnost:

- Plynové nádoby vždy skladujte venku, v dobře větraném prostředí. Ujistěte se, že nejsou vystaveny působení nadměrného tepla nebo přímému slunečnímu světlu.
- Nikdy neukládejte plynovou nádobu do skříně vašeho spotřebiče.
- Během používání položte plynovou nádobu na vozík na straně spotřebiče.
- Nikdy náhradní plynovou nádobu neumísťujte do blízkosti používaného spotřebiče.
- Po použití vždy uzavřete přívod plynu na plynové nádobě.
- Při používání plynového zařízení a v blízkosti plynové nádoby (prázdné/plné) nikdy nekuřte.

 Pokud ucítíte plyn, ihned uzavřete přívod plynu, uhasíte všechny plameny a otevřete víko spotřebiče. Pokud zápach plynu trvá, vyhledejte pomoc svého dodavatele plynu nebo hasičského sboru.

3.3 Vyberte vhodné umístění

Používejte spotřebič pouze ve venkovním prostředí. Pokud jej použijete uvnitř, například v garáži nebo pod přístřeškem, může to způsobit otravu oxidem uhelnatým.

Při výběru venkovního umístění vždy postupujte takto:

- Umístěte spotřebič alespoň 3 metry od budovy, na otevřeném a dobře větraném místě.
- Ujistěte se, že do hořáků a odvětrávacích otvorů ve skříně spotřebiče může neustále proudit volně vzduch.
- Zkontrolujte, zda spotřebič není umístěn pod převislou konstrukcí (přístřešek, kryt atd.) nebo pod listím.
- Umístěte spotřebič na pevný a stabilní povrch. Nikdy jej neumísťujte na pohyblivé vozidlo (loď, přívěs atd.).

3.4 Používejte zdravý rozum

Při práci se spotřebičem vždy používejte zdravý rozum:

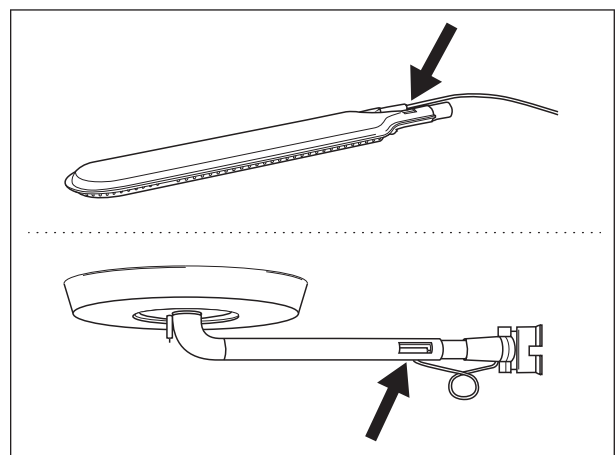
- Používejte spotřebič pouze ve venkovním prostředí.
- Během používání spotřebič nepřesouvejte.
- Neponechávejte spotřebič během používání bez dozoru, obzvláště v přítomnosti dětí nebo domácích zvířat.
- **VÝSTRAHA!** Některé volně přístupné součásti mohou být velmi horké. Udržujte malé děti mimo dosah.
- Při manipulaci s horkými součástmi (víko, gril, ...) používejte vhodnou ochranu.
- Spotřebič musí být během používání držen mimo dosah hořlavých materiálů.
- Udržujte hořlavé materiály, hořlavé kapaliny a nerozpustné předměty mimo dosah používaného spotřebiče.
- Pro plynový spotřebič nepoužívejte dřevo, dřevěné uhlí, lávové kameny ani keramické brikety.
- Nepoužívejte spotřebič, pokud jste požívali alkoholické nápoje nebo návykové látky.
- Nemodifikujte spotřebič.

4 OPAKOVANÉ KONCEPTY

Tato část zahrnuje definice některých méně známých konceptů. Tyto koncepty jsou používány v několika tématech v této příručce.

4.1 Venturiho trubice

Venturiho trubice jsou malé trubky upevněné ke vstupu do hořáků. Na boku Venturiho trubic je otvor. Toto je viditelné na hlavních hořácích a na bočním hořáku:



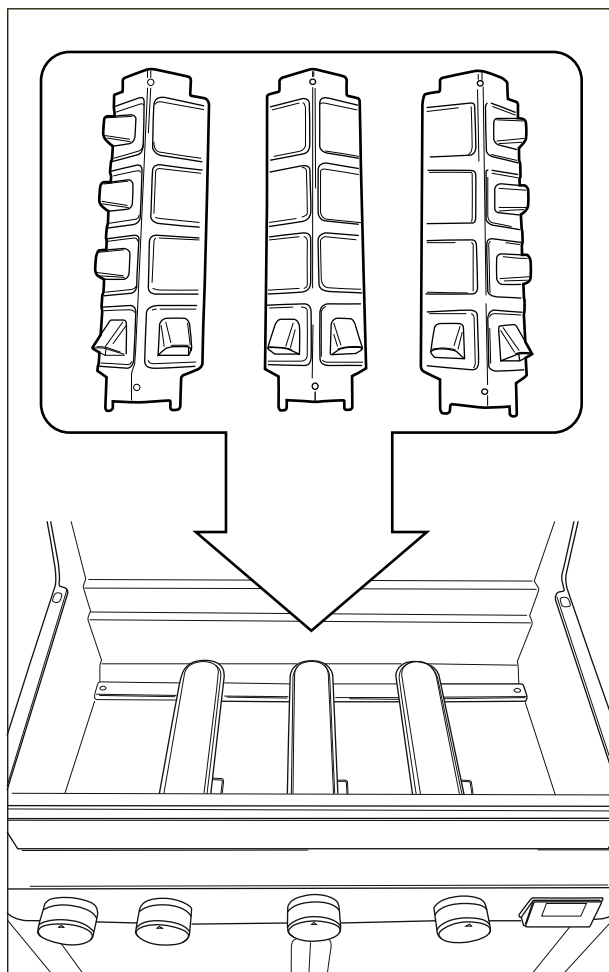
Když plyn prochází do hořáků, musí projít Venturiho trubicemi. Díky otvorům na bocích se plyn směšuje se vzduchem a díky tomu s kyslíkem. To je nutné pro dobré zažehnutí hořáků: pouze správná směs plynu s kyslíkem zajistí správné zažehnutí hořáku a zajistí dobrý plamen.

4.2 Kryty hořáku

Kryty hořáku představují krycí panely, které se montují nad hořáky spotřebiče. Chrání hořáky před odkapávajícím tukem a hrají důležitou úlohu v systému Turbo Heating System. Otvory po stranách krytu rozvádějí teplo do grilu, takže se prohřívá mnohem rychleji a rovnoměrněji.



Při montáži spotřebiče věnujte zvláštní pozornost krytům hořáků. Systém Turbo Heating System může plnit svou funkci správně pouze v případě, že nad každým hořákem je namontován správný kryt.



4.3 Smalt

Některé části spotřebiče jsou pokryty vrstvou roztaveného skla, která se nazývá smalt. Tento smalt chrání spodní vrstvu kovu před korozí. Smalt je vysoce kvalitní materiál: je odolný vůči korozi, nebledne pod vlivem vysokých teplot a velmi snadno se udržuje.



Protože smalt je méně pružný než kov, který chrání, mohou se kusy smaltu odštípnout, pokud se spotřebičem nebudete zacházet opatrně. Chcete-li se vyhnout problémům, buďte při montáži smaltovaných součástí opatrní a vždy udržujte smalt způsobem popsáným v této příručce.

4.4 Prudká vzplanutí

Prudká vzplanutí jsou náhlé plameny, které vylétnou z mísy, když grilujete. Obvykle jsou způsobeny odkapávající tukem nebo marinádou.

5 MONTÁŽ SPOTŘEBIČE

5.1 Bezpečnostní pokyny

- Při montáži spotřebič neměňte. Je velmi nebezpečné a proto zakázáno měnit součásti, které byly předem sestavy nebo utěsněny výrobcem.
- Vždy pečlivě dodržujte pokyny montáže.
- Uživatel je odpovědný za správnou montáž spotřebiče. Poškození způsobená nesprávnou montáží nejsou kryta zárukou.

5.2 Sestavení spotřebiče

Budete potřebovat křížový šroubovák, plochý šroubovák a baterii AA (elektrický zapalovač). Pokud se spotřebič dodává s grilovacím hořákem, budete potřebovat rovněž dvě baterie D (motor grilovacího hořáku). Baterie nejsou součástí dodávky spotřebiče.

- 1 Umístěte spotřebič na rovný a čistý povrch.
- 2 Sestavte spotřebič způsobem znázorněným na montážních výkresech. Naleznete je v druhé části této příručky, za rozloženým pohledem na spotřebič.



Při montáži smaltovaných součástí buďte velmi opatrní. Nástroje a šrouby mohou poškodit smalt. K ochraně smaltu okolo šroubů použijte dodané fíbové podložky.



Blistrové balení může obsahovat více šroubů, než je potřebné. Některé šrouby mohou po montáži zbyť.


6 PŘIPOJENÍ PLYNU KE SPOTŘEBIČI


6.1 Která plynová nádoba, hadice a regulátor?

Než můžete ke spotřebiči připojit plyn, musíte si koupit plynovou nádobu, hadici a regulátor tlaku. Vždy si kupujte takové součásti, které splňují všechny národní standardy a jsou určeny pro typ plynu a jmenovité tlaky uvedené na spotřebiči.

Tabulka níže ukazuje, kterou plynovou nádobu, hadici a regulátor musíte používat. Například v Belgii musíte používat nádobu na propan s hadicí a regulátorem pro tlak 37 mbar nebo butanovou nádobu s hadicí a regulátorem pro tlak 28-30 mbar.

Země	Plynová nádoba, hadice a regulátor
DK, GR, NO, SE, EE, LT, LV, CZ, PL, MT, HU, SI, SK	Propan, 30 mbar / Butan, 30 mbar
ES, GB, IE, PT, BE, FR, LU, IT	Propan, 37 mbar / Butan, 28-30 mbar
NL	Propan, 30 nebo 50 mbar / Butan, 30 mbar
CY	Propan, 30 nebo 37 mbar / Butan, 28-30 mbar

 Doporučujeme spotřebič připojovat k propanu. Propan nabízí nejvyšší kvalitu spalování a je méně citlivý na zamrznutí.

 Kupte si regulátor tlaku a plynovou nádobu společně. Všechny regulátory tlaku není možné nasadit na všechny plynové nádoby.


6.2 Bezpečnostní pokyny

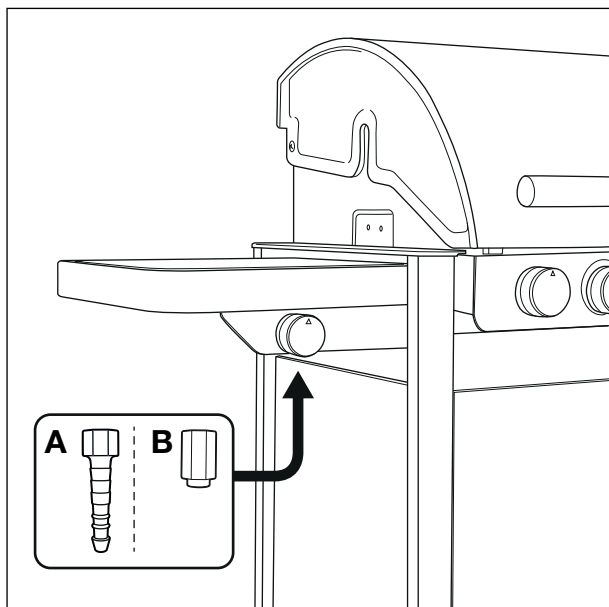
- Nikdy plynovou nádobu nepřipojujte přímo ke spotřebiči. Vždy na plynovou nádobu namontujte nejprve regulátor tlaku.
- Nikdy nemodifikujte předem sestavené nebo utěsněné součásti nádoby, hadice nebo regulátoru tlaku.
- Udržujte hadici co nejkratší (maximálně 500 - 650 mm), abyste zabránili jejímu odírání o povrch země.
- Během připojování nádoby, hadice a regulátoru tlaku:
 - Nikdy hadici nedeformujte.
 - Vždy nádobu udržujte ve vzpřímené poloze.
 - Nikdy neotevírejte přívod plynu.
- Při každé změně připojení plynu zkontrolujte vždy případné netěsnosti. Viz "7 Kontrola úniků plynu".

6.3 Připojení hadice ke spotřebiči

Chcete-li připojit plynovou hadici ke spotřebiči, musíte namontovat spojku na plynovou trubku spotřebiče. Spotřebič se dodává se dvěma spojkami, obě jsou určeny pro určité země:

Země	Spojka
BE, CH, CZ, DK, ES, FI, GB, IE, IT, PT, SI	Spojka A
FR	Spojka B

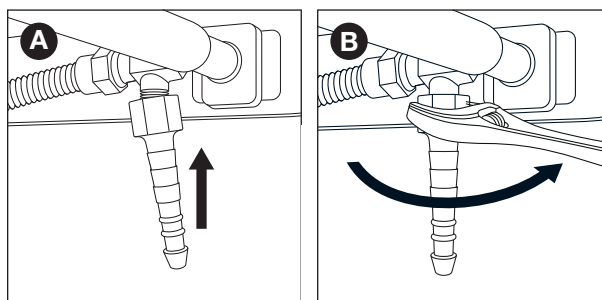
 Pokud vaše země není v tabulce uvedena, použijte spojku splňující požadavky vašich národních norem.



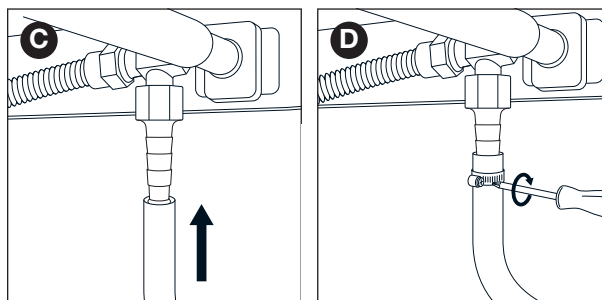
6.3.1 SPOJKA A

Budete potřebovat klíč 19 mm a křížový šroubovák.

- 1 Našroubujte spojku na plynovou hadici spotřebiče (A) a dotáhněte ji klíčem 19 mm (B).



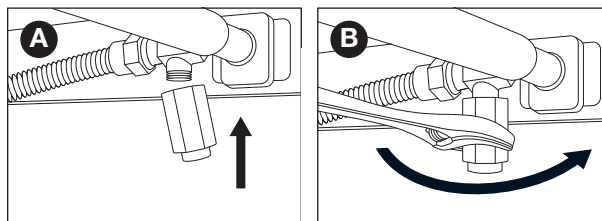
- 2 Nasuňte hadici na spojku (C) a dotáhněte sponu křížovým šroubovákem (D).



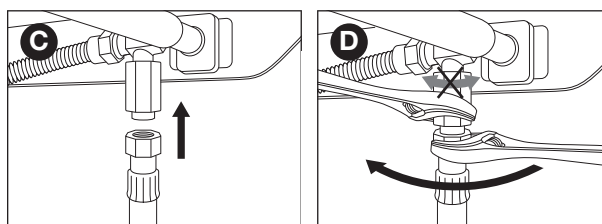
6.3.2 SPOJKA B

Budete potřebovat klíč 22 mm a nastavitelný klíč.

- 1 Našroubujte spojku na plynovou hadici spotřebiče (A) a dotáhněte ji klíčem 22 mm (B).



- 2 Našroubujte plynovou hadici na spojku (C) a dotáhněte ji dvěma klíči. Podržte spojku klíčem 22 mm a otáčejte hadici nastavitelným klíčem (D).

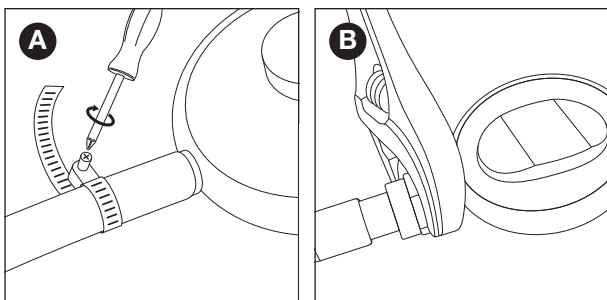


6.4 Připojení hadice a plynové nádoby k regulátoru

V závislosti na typu používaného regulátoru tlaku budete potřebovat křížový šroubovák nebo nastavitelný klíč.

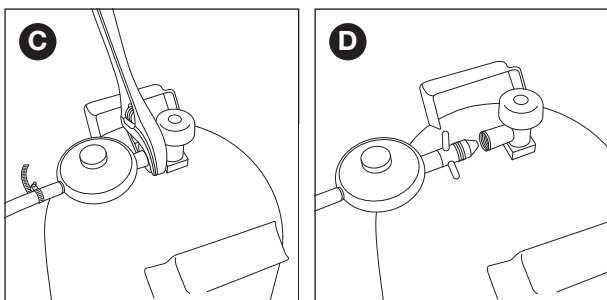
- 1 Připojte hadice k regulátoru tlaku. Postupujte jedním z následujících způsobů:
 - Pokud je hadice vybavena sponami, nasuňte hadici na regulátor a dotáhněte sponu křížovým šroubovákem (A).

- Pokud je hadice vybavena šroubovací maticí, našroubujte hadici na regulátor a dotáhněte matici nastavitelným klíčem (B).



2 Připojte regulátor tlaku k plynové nádobě. Postupujte jedním z následujících způsobů:

- Pokud je regulátor vybaven šroubovací maticí, našroubujte jej otáčením po směru hodinových ručiček na plynovou nádobu a dotáhněte matici nastavitelným klíčem (C).
- Pokud je regulátor vybaven šroubovacím závitem, našroubujte regulátor otáčením proti směru hodinových ručiček na plynovou nádobu (D).



6.5 Výměna plynové nádoby

- 1 Uzavřete přívod plynu a nastavte všechny ovladače do polohy OFF (Vypnuto).
- 2 Odpojte prázdnou plynovou nádobu a připojte plnou nádobu.
- 3 Zkontrolujte nádobu, hadici a všechny přípojky, zda nedochází k úniku plynu. Viz "7 Kontrola úniků plynu".


7 KONTROLA ÚNIKŮ PLYNU

7.1 Proč je nutné provádět kontrolu úniků plynu?

Propan a butan jsou plyny těžší než vzduch. V důsledku toho při úniku ze spotřebiče nestoupají výše. Obzvláště v bezvětrných dnech může netěsnosti způsobit shromažďování plynu ve spotřebiči a v jeho okolí. Takto nashromážděný plyn se může zažehnout a explodovat.

7.2 Kdy je nutné provádět kontrolu úniků plynu?

- Před prvním použitím nebo před použitím po dlouhodobém odstavení.

 Pokud vám spotřebič sestavoval váš prodejce, zkontrolujte rovněž možné úniky plynu.

- Při každé výměně součásti plynového systému.
- Alespoň jednou ročně, přednostně na počátku sezóny.

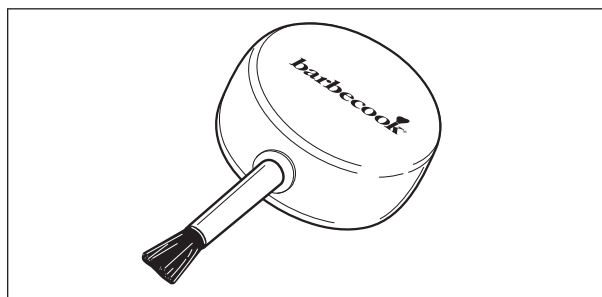
7.3 Bezpečnostní pokyny

- Umístěte spotřebič ve venkovním, dobře větraném prostředí. Zkontrolujte, zda v blízkosti spotřebiče nejsou žádné plameny nebo zdroje tepla.
- Nikdy nepoužívejte pro stanovení úniků plynu zapalovač nebo zápalky.
- Při kontrole úniků plynu nekuřte a nezapalujte hořáky.

7.4 Které materiály budu potřebovat?

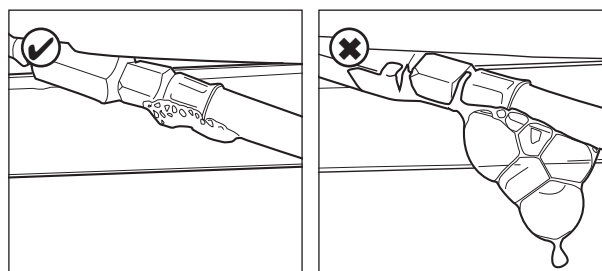
Pro kontrolu úniků plynu budete potřebovat následující:

- Testovací kapalinu. Můžete použít již průmyslově vyráběný sprej na testování netěsností, nebo směs vody (50 %) a mýdla na nádobí (50 %).
- Nástroj pro testování netěsností, který se dodává se spotřebičem. Použijte jej pro nasátí testovací kapaliny a její nanesení na plynovou součást nebo spojení, které chcete zkontrolovat.



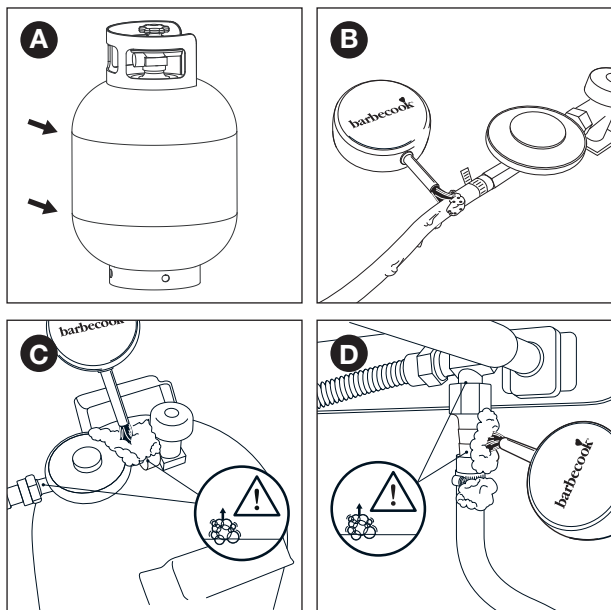
7.5 Kontrola úniků plynu

Pomocí testovací kapaliny nanesené na všechny plynové součásti a přípojky zkontrolujte případné úniky plynu. Pokud se na specifické součásti nebo přípojce vytvářejí bubliny, dochází k úniku plynu:



Chcete-li zkontrolovat případné úniky plynu, postupujte následujícím způsobem:

- 1 Umístěte spotřebič do venkovního prostoru.
- 2 Připravte si nástroj na testování netěsnosti a testovací kapalinu (sprej nebo směs vody/mýdla).
- 3 Otevřete víko a nastavte všechny ovladače do polohy OFF (Vypnuto).
- 4 Mírně otevřete přívod plynu. Jednou otočte ventil plynové nádoby.
- 5 Odsajte malé množství testovací kapaliny pomocí testovacího nástroje a naneste ji na plochu, kterou chcete zkontrolovat. Musíte zkontrolovat následující:
 - Svary plynové nádoby (A)
 - Hadice (B)
 - Spojení mezi tlakovou nádobou a regulátorem tlaku a mezi regulátorem tlaku a hadicí (C)
 - Spojení mezi hadicí a spotřebičem (D)



i Regulátor tlaku a spojka se mohou odlišovat od těch, které jsou na obrázku.

- 6 Postupujte jedním z následujících způsobů:
- Pokud zjistíte netěsnost, pokračujte způsobem popsáním v "V případě úniku plynu".
 - Pokud žádný únik nezjistíte, uzavřete přívod plynu, opláchněte všechny součásti důkladně vodou a dobře je vysušte.

7.6 V případě úniku plynu

- 1 Uzavřete přívod plynu a proveďte jeden z následujících kroků:
 - Pokud zjistíte únik plynu z jednoho ze spojů, dotáhněte jej.
 - Pokud zjistíte únik plynu z plynové nádoby nebo hadice, vyměňte tuto nádobu nebo hadici.
- 2 Znovu zkontrolujte spojení nebo součást, u které jste zjistili únik.
- 3 Pokud únik nebyl odstraněn, kontaktujte prodejce Barbecue. Nepoužívejte spotřebič, dokud není únik odstraněn.

i Seznam nejbližších prodejců Barbecue naleznete na webu www.barbecue.com.

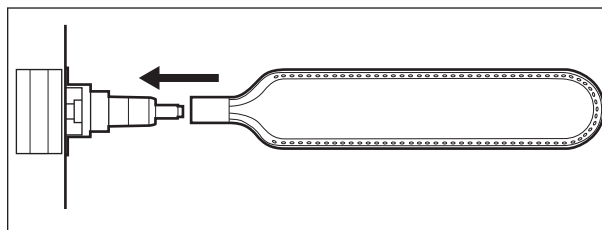
8 PŘÍPRAVA SPOTŘEBIČE NA POUŽITÍ

8.1 Před každým použitím

Před každým použitím spotřebiče se ujistěte o následujícím:

- Spotřebič je umístěn na vhodném místě. Viz "3.3 Vyberte vhodné umístění".
- Plynová hadice nezadrhává o zem a nemůže se dostat do kontaktu s horkým povrchem nebo odkapávajícím tukem.
- Miska je čistá. Doporučujeme do misky před každým použitím vložit novou fólii Leaf®. Viz "11.2 Čištění mísy".
- Hořák a Venturiho trubice nejsou ucpány hnízdy hmyzu nebo pavučinami. Viz "11.3 Čištění hořáků a Venturiho trubic".
- Spotřebič je správně sestaven. Věnujte obzvláštní pozornost následujícímu:

- Kryty hořáků. Každý kryt musí být umístěn nad správný hořák. Viz "4.2 Kryty hořáku".
- Venturiho trubice hořáků. Musí být umístěny nad otvory plynových ventilů.



i Pokud si chcete být naprosto jisti, že plynové spojení je správné, musíte před každým použitím zkontrolovat spotřebič, zda z něj neuchází plyn. Viz "7 Kontrola úniků plynu".

8.2 Před prvním použitím (po dlouhé době)

Pokud používáte spotřebič poprvé, nebo po dlouhé době odstavení, musíte provést několik dodatečných kontrol:

- Ujistěte se, že jste si důkladně prostudovali všechny pokyny uvedené v této příručce (pouze před prvním použitím), porozuměli jim a provedli podle nich příslušné kontroly.
- Zkontrolujte spotřebič, zda z něj neuniká plyn. Viz "7 Kontrola úniků plynu".



Pokud vám spotřebič sestavoval váš prodejce, zkontrolujte rovněž možné úniky plynu.

- Vyčistěte hořáky a Venturiho trubice (pouze před použitím po dlouhodobém odstavení). Viz "11.3 Čištění hořáků a Venturiho trubic".
- Nechte spotřebič zahořet, než do něj vložíte první kousky potravin (pouze před prvním použitím). Viz "8.3 Zahoření spotřebiče".

8.3 Zahoření spotřebiče

Zahořením spotřebiče před prvním použitím z něj odstraníte zbývající masnotu. Postupujte následujícím způsobem:

- 1 Zapalte hlavní hořáky a nastavte jejich ovladače do polohy HIGH (Vysoký). Viz "9.2 Zapálení hlavních hořáků".
- 2 Uzavřete víko a nechte spotřebič 15 minut hořet. Na spotřebič ještě nepokládejte žádné potraviny.
- 3 Po 15 minutách otevřete víko a ponechte spotřebič hořet dalších 5 minut (ovladač je stále nastaven do polohy HIGH (Vysoký)).
- 4 Po 5 minutách je spotřebič připraven k použití. Nyní můžete na gril položit potraviny.

9 ZAŽEHNUTÍ HOŘÁKŮ



Chcete-li zapálit hořáky elektrickým zapalovačem, musíte do něj vložit baterii AA. Tato baterie není součástí dodávky zařízení. Pouzdro pro baterii zapalovače naleznete uvnitř skříně spotřebiče.


9.1 Bezpečnostní pokyny

- Před zapálením spotřebiče proveďte všechny kontroly uvedené v "8 Příprava spotřebiče na použití".
- Zkontrolujte, zda je víko při zapálení hořáku vždy otevřené.
- Při zapalování se nikdy neohýbejte přímo nad hořákem.

9.2 Zapálení hlavních hořáků

9.2.1 POUŽITÍ ZAPALOVAČE

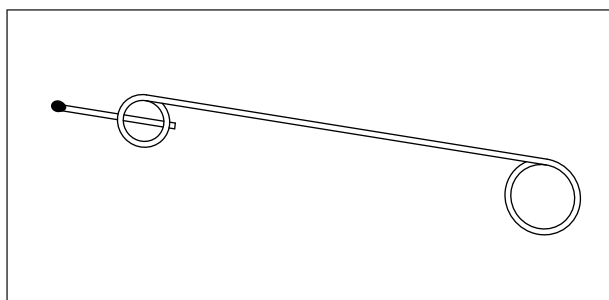
- 1 Otevřete víko a nastavte ovladače hlavních hořáků do polohy OFF (Vypnuto).
- 2 Pokud není zapálen žádný jiný hořák, otevřete přívod plynu a vyčkejte deset sekund. To umožní stabilizaci plynu.
- 3 Stiskněte ovladač jednoho hořáku, nastavte jej na výkon HIGH (Vysoký) a chvíli jej podržte. Vestavěný zapalovač způsobí vznik jisker, které hořák zapálí.

 Na začátku vždy zažehněte pouze jeden hlavní hořák. Nikdy současně nezapalujte všechny hlavní hořáky.

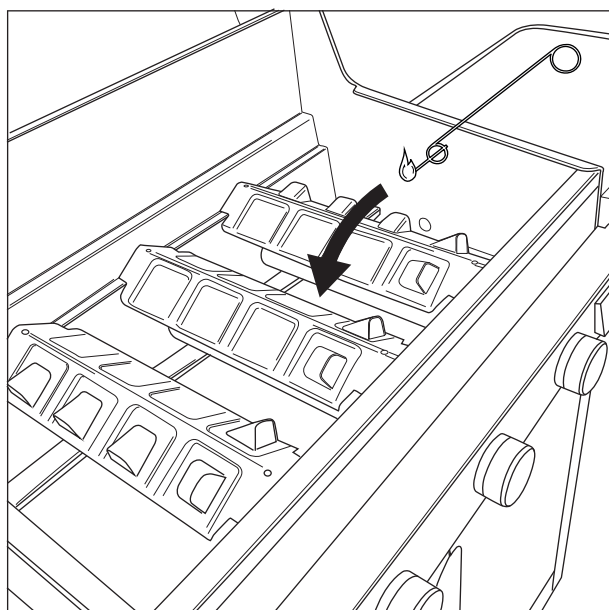
- 4 Pokud se hořák po třech pokusech nezapálí, nastavte jeho ovladač do polohy OFF (Vypnuto), uzavřete přívod plynu a vyčkejte 5 minut. To umožňuje nashromážděnému plynu uniknout.
- 5 Zkuste hořák znovu zapálit. Pokud se znovu nezapálí, zkuste jej zapálit zápalkami nebo se informujte v "14 Odstraňování poruch" a stanovte příčinu problému.

9.2.2 POUŽÍVÁNÍ ZÁPALEK


- 1 Umístěte jednu zápalku do držáku.



- 2 Otevřete víko a nastavte ovladače hlavních hořáků do polohy OFF (Vypnuto).
- 3 Pokud není zapálen žádný jiný hořák, otevřete přívod plynu a vyčkejte deset sekund. To umožní stabilizaci plynu.
- 4 Zažehněte zápalku a podržte ji asi 13 mm od hořáku.




- 5 Nastavte ovladač jednoho hořáku do polohy HIGH (Vysoký).

 Na začátku vždy zažehněte pouze jeden hlavní hořák. Nikdy současně nezapalujte všechny hlavní hořáky.

- 6 Pokud se hořák do 5 sekund nezapálí, nastavte jeho ovladač do polohy OFF (Vypnuto), uzavřete přívod plynu a vyčkejte 5 minut. To umožňuje nashromážděnému plynu uniknout.
- 7 Zkuste hořák znovu zapálit. Pokud se znovu nezapálí, informujte se v "14 Odstraňování poruch" a stanovte příčinu problému.

9.3 Zapálení bočního hořáku

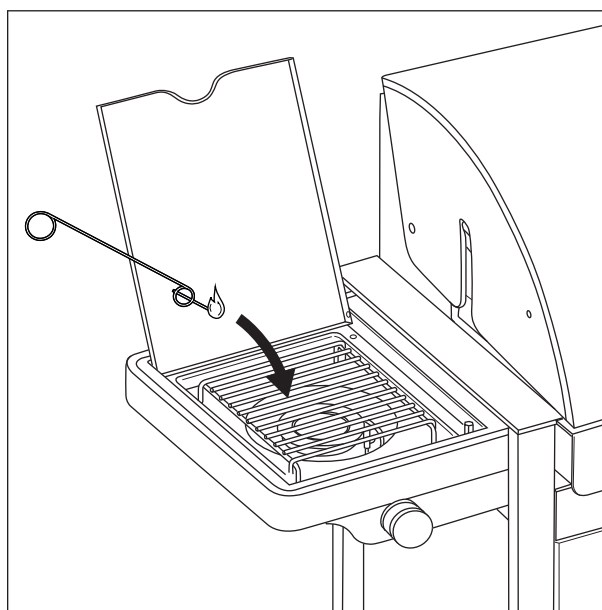
 Boční hořák může možné použít pouze s tlakovými nádobami o maximální hmotnosti 9 kg a maximálním průměrem 220 mm.

9.3.1 POUŽITÍ ZAPALOVAČE

- 1 Otevřete víko a nastavte ovladač bočního hořáku do polohy OFF (Vypnuto).
- 2 Pokud není zapálen žádný jiný hořák, otevřete přívod plynu a vyčkejte deset sekund. To umožní stabilizaci plynu.
- 3 Stiskněte ovladač bočního hořáku, nastavte jej na výkon HIGH (Vysoký) a chvíli jej podržte. Vestavěný zapalovač způsobí vznik jisker, které boční hořák zapálí.
- 4 Pokud se hořák po třech pokusech nezapálí, nastavte jeho ovladač do polohy OFF (Vypnuto), uzavřete přívod plynu a vyčkejte 5 minut. To umožňuje nashromážděnému plynu uniknout.
- 5 Zkuste boční hořák znovu zapálit. Pokud se znovu nezapálí, zkuste jej zapálit zápalkami nebo se informujte v "14 Odstraňování poruch" a stanovte příčinu problému.

9.3.2 POUŽÍVÁNÍ ZÁPALEK

- 1 Umístěte jednu zápalku do držáku.
- 2 Otevřete víko a nastavte ovladač bočního hořáku do polohy OFF (Vypnuto).
- 3 Pokud není zapálen žádný jiný hořák, otevřete přívod plynu a vyčkejte deset sekund. To umožní stabilizaci plynu.
- 4 Zažehněte zápalku a podržte ji asi 13 mm od bočního hořáku.



- 5 Nastavte ovladač bočního hořáku do polohy HIGH (Vysoký).
- 6 Pokud se boční hořák do 5 sekund nezapálí, nastavte jeho ovladač do polohy OFF (Vypnuto), uzavřete přívod plynu a vyčkejte 5 minut. To umožňuje nashromážděnému plynu uniknout.
- 7 Zkuste boční hořák znovu zapálit. Pokud se znovu nezapálí, informujte se v "14 Odstraňování poruch" a stanovte příčinu problému.

9.4 Vypnutí hořáků

Pokud již hořáky nebudete používat, můžete je vypnout. Postupujte následujícím způsobem:

- 1 Uzavřete přívod plynu.
- 2 Nastavte ovladače hořáků do polohy HIGH (Vysoký).



Nejprve se uzavřením přívodu plynu ujistěte, že ve spotřebiči nezbyl žádný plyn.

9.5 Znovuzažehnutí hořáků

Pokud hořák během používání zhasne, postupujte následujícím způsobem:

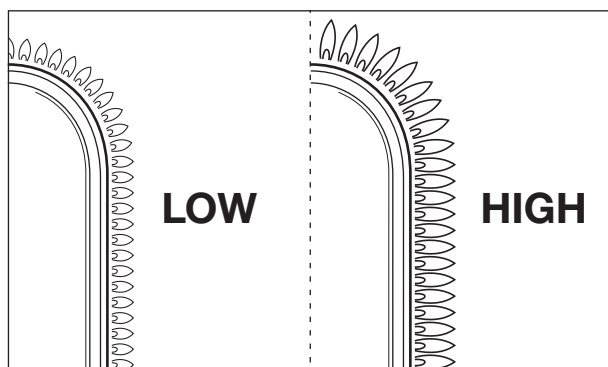
- 1 Otevřete víko a uzavřete přívod plynu.
- 2 Nastavte všechny ovladače do polohy OFF (Vypnuto) a vyčkejte 5 minut. To umožňuje nashromážděnému plynu uniknout.
- 3 Znovu zažehněte hořáky.

9.6 Kontrola plamenů

Při každém zažehnutí hořáku musíte zkontrolovat plameny. Dokonalý plamen je téměř úplně modrý, se žlutou špičkou. Občasné žluté plameny jsou normální a nejsou nijak škodlivé.

Pokud s plamenem není něco v nepořádku, vyřešte problém jedním z následujících způsobů:

Pokud jsou plameny...	Postupujte následujícím způsobem...
Nízký a úplně žlutý	<ol style="list-style-type: none">1 Ihned uzavřete přívod plynu a nastavte všechny ovladače do polohy OFF (Vypnuto).2 Příčinu problému stanovte podle pokynů v "14 Odstraňování poruch". S největší pravděpodobností jsou ucpané Venturiho trubice.
Vyšší než mísa	<ol style="list-style-type: none">1 Ihned uzavřete přívod plynu a nastavte všechny ovladače do polohy OFF (Vypnuto).2 Vyčkejte 5 minut a ponechte nashromážděný plyn uniknout.3 Znovu zažehněte hořáky.4 Pokud problém přetrvává, příčinu problému stanovte podle pokynů v "14 Odstraňování poruch".



10 UŽITEČNÉ TIPY A TRIKY

10.1 Předehřívání spotřebiče

Předehřátím spotřebiče zajišťujete, aby gril byl v okamžiku položení pokrmů na rošt dostatečně horký. Postupujte následujícím způsobem:

- 1 Zapalte hořáky a nastavte jejich ovladače do polohy HIGH (Vysoký).
- 2 Uzavřete víko a nechte spotřebič 10 minut v klidu.
- 3 Po 10 minutách otevřete víko a položte pokrmy na grilovací rošt.
- 4 Pokud nyní potřebujete pouze méně žáru, nastavte ovladače na nižší výkon.

10.2 Jak zabránit ulpívání pokrmů

Chcete-li zabránit pokrmům, aby ulpívaly ke grilu:

- Lehce potřete pokrm olejem, než jej položíte na gril. Můžete také potřít olejem samotný gril.
- Spotřebič předehřejte. Čím teplejší bude gril, když na něj položíte pokrm, tím méně bude pokrm ulpívat.
- Pokrmy neotáčejte příliš často. Nechte jej nejprve trochu prohřát.

10.3 Přímé a nepřímé grilování

V závislosti na typu pokrmu, který budete připravovat a na způsobu přípravy můžete grilovat přímo nebo nepřímo:

Metoda	Popis	Použití
Přímé	Umístěte pokrm přímo nad zapálený hořák, nastavte jej na velký plamen a ponechte víko otevřené.	Prudké opékání masa a zeleniny
Nepřímé	Umístěte pokrm vedle zapáleného hořáku, nastavte jej na střední/malý plamen a uzavřete víko.	Další grilování již zprudka opečeného masa



Při grilování pod uzavřeným víkem vždy sledujte teploměr a ujistěte se, že spotřebič není příliš horký. Viz "10.5 Sledování teploty".

10.4 Grilování s uzavřeným víkem

Uzavření víka při grilování má některé důležité výhody:

- Teplota grilu je vyšší a zůstává stálejší.
- Zkrátíte čas přípravy pokrmu a udržíte jej šťavnatější.
- Snížíte počet výskytů prudkého vzplanutí a uspoříte plyn.




Při grilování pod uzavřeným víkem vždy sledujte teploměr a ujistěte se, že spotřebič není příliš horký. Viz "10.5 Sledování teploty".

10.5 Sledování teploty

Váš spotřebič je vybaven výkonnými hořáky, takže se může rychle zahřát a udržovat teplotu na stálé hodnotě. Při grilování s uzavřeným víkem je nutné se ujistit, že spotřebič se příliš nerozžhaví. Sledujte teploměr na víku a vezměte v úvahu následující pokyny:

- Normální teplota přípravy pokrmů je asi 210 °C. Při vyšších teplotách se může vznítit odkapávající a nashromážděný tuk.

- Teplota by nikdy neměla překročit hodnotu 300 °C po dobu delší než pět minut. Mohlo by dojít k poškození a deformování spotřebiče.

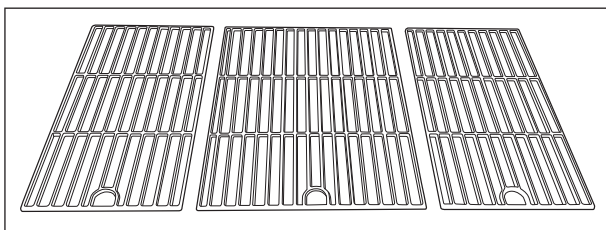
 Pokud bude spotřebič příliš horký, nechte jej vychladnout otevřením víka a nastavením hořáků na nižší výkon.

10.6 Optimální využití žáru

Střední část mísy se zahřívá více než ostatní části. Aby bylo možné maximálně využít tuto nejžhavější část, je spotřebič vybaven grilovacími rošty různé velikosti. Dodává se s následujícími:

- Jeden velký grilovací rošt, který se umísťuje doprostřed mísy.
- Dva menší grilovací rošty, které se umísťují po stranách mísy.


Pokud grilovací rošty umístíte správně do mísy a zapálíte všechny hořáky, celý střední rošt se bude zahřívát na maximální teplotu. Podobně můžete rozšířit nejžhavější část mísy a optimálně využívat povrch grilovacích roštů spotřebiče.



10.7 Využití výhod topných zón

Když jsou všechny hořáky zapáleny, kryty rozvádějí teplotu rovnoměrně po celém grilu. Navzdory rovnoměrnému zahřívání jsou některé zóny žhavější než jiné. Těchto topných zón můžete využít pro dokonalé grilování pokrmů:

Zóna	Horká?	Použití pro...
Přední	Horká	Grilování jemných potravin (krevety, ryby...)
Střed	Žhavější	Příprava pokrmů vyžadujících delší dobu přípravy (například klobásy, kuřecí stehýnka...)
Zadní	Nejžhavější	Prudké opékání masa a zeleniny

 Topné zóny můžete také vytvořit tak, že budete experimentovat s výkonem jednotlivých hořáků. Můžete například nastavit hořák na nejnižší výkon a použít zónu nad tímto hořákem pro jemné potraviny nebo takové, jejichž příprava vyžaduje delší dobu.

10.8 Ochrana před prudkým vzplanutím

Během grilování je občasné prudké vzplanutí normální. Příliš časté prudké vzplanutí však zvyšuje teplotu spotřebiče a může způsobit zažehnutí nashromážděného tuku. Jak zabránit prudkým vzplanutím:


- Před grilováním zkontrolujte, zda je miska čistá. Doporučujeme do mísy před každým použitím vložit novou fólii Leaf®. Viz "11.2 Čištění mísy".
- Pravidelně kontrolujte, zda není ucpaný vypouštěcí otvor pro odvod tuku a zda není naplněný odkapový táč nebo miska tuku.
- Při grilování tučného masa odřízněte nadbytečný tuk, uzavřete víko a nastavte hořáky na střední nebo nízký plamen.

11 ÚDRŽBA SPOTŘEBIČE

11.1 Čištění grilu


Doporučujeme gril po každém použití vyčistit pomocí čističe Barbecue. Postupujte následujícím způsobem:

- 1 Nastříkejte pěnu na gril a ponechte ji chvíli působit. Pěna se zabarví, jak bude postupně nasákat nečistoty a tuk.
- 2 Odstraňte pěnu měkkou houbou a vodou a důkladně gril opláchněte.
- 3 Vysušte důkladně gril a uložte jej na suchém místě. To zabrání vytváření koroze.

 Gril můžete rovněž vyčistit jemným čisticím prostředkem nebo jedlou sodou. Nikdy na gril nepoužívejte čističe na pečící trouby.

11.2 Čištění mísy

Doporučujeme mísu po každém použití vyčistit. Nejsnazší způsob provedení tohoto úkonu je vložením fólie Leaf® do mísy před započatím grilování. Leaf® je fólie tvarem dokonale přizpůsobená míse, která zachycuje všechny zbytky a mastnoty. Když je zařízení úplně vychladlé, stačí odebrat fólii Leaf® a mísa je čistá.

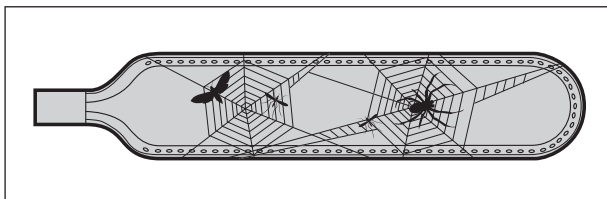
 Zaregistrujte svůj spotřebič na webu www.barbecue.com, kde jsou také informace o tom, jakou fólii Leaf® budete potřebovat.

11.3 Čištění hořáků a Venturiho trubic

11.3.1 PROČ MUSÍTE ČISTIT HOŘÁKY A VENTURIHO TRUBICE?

V hořácích a Venturiho trubicích mohou pavouci a hmyz vytvořit síť nebo hnízda. To může ucpat přívod plynu do hořáků. V důsledku toho:

- Nemůžete hořáky zažehnout. Pokud se vám podaří je přesto zažehnout, budou produkovat pouze žluté, kouřivé plameny.
- Plyn může začít hořet vně Venturiho trubic, u ovladačů. Takové plameny se nazývají zpětné záblesky a mohou způsobit těžká zranění a poškození majetku.



i Škody způsobené ucpanými hořáky a Venturiho trubicemi jsou považovány za neodpovídající údržbu a nejsou proto kryty zárukou.

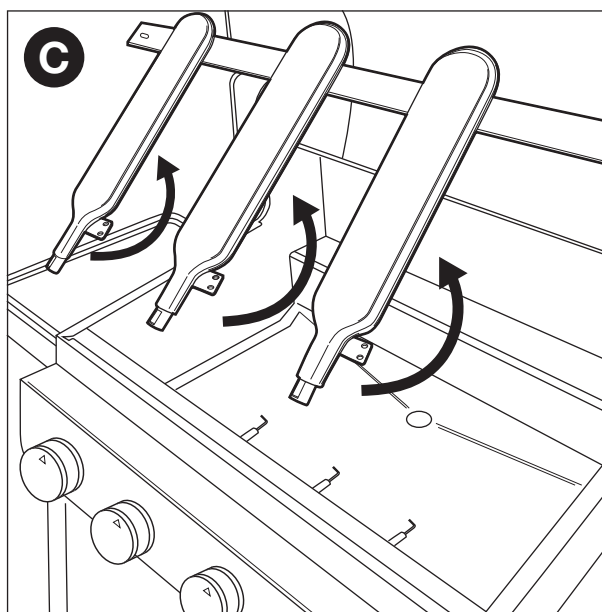
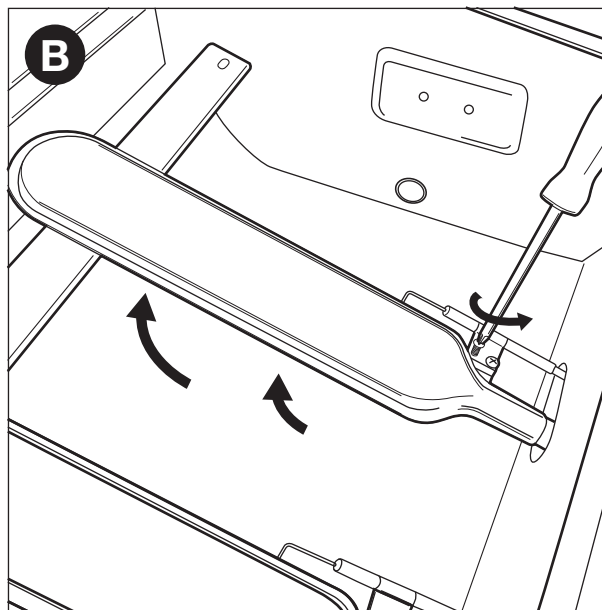
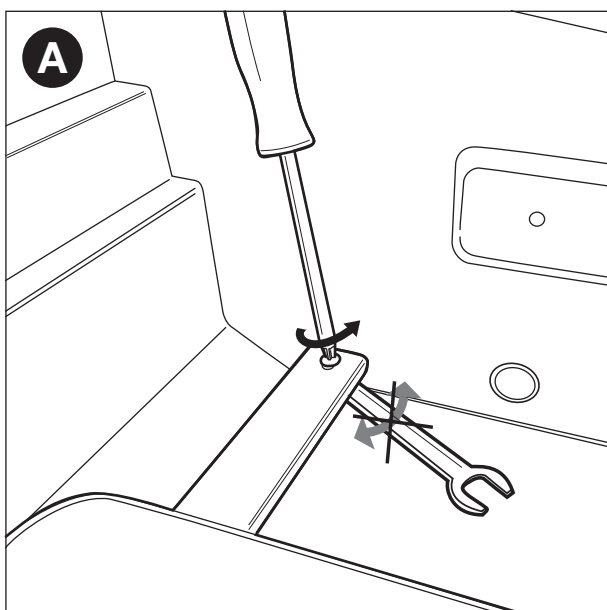
12.3.2 KDY MUSÍTE ČISTIT HOŘÁKY A VENTURIHO TRUBICE?

Hořáky a Venturiho trubice svého spotřebiče musíte čistit v následujících případech:

- Před prvním použitím po dlouhodobém odstavení.
- Alespoň dvakrát ročně, z čehož jednou na počátku sezóny.

11.3.3 ČIŠTĚNÍ HOŘÁKŮ A VENTURIHO TRUBIC

- 1 Demontujte hořáky ze spotřebiče, jak je znázorněno na obrázcích. Pokud si povšimnete, že je hořák poškozen, musíte jej vyměnit.




- 2 Vyčistěte hořáky a Venturiho trubice malým kartáčem nebo po domácku zhotoveným čističem trubky (rozložená kancelářská sponka, kartáč na trubky...).
- 3 Hořáky uložte zpět. Zkontrolujte, zda jsou Venturiho trubice umístěny nad otvory plynových ventilů.


11.4 Údržba součástí opatřených ochrannou vrstvou emailu, nebo práškového laku nebo z nerezové oceli

Spotřebič je tvořen smaltovanými součástmi, součástmi z nerezové oceli, nebo práškovým lakem chráněnými součástmi. Každý materiál musí být udržován odlišným způsobem:

Materiál	Jak udržovat tento materiál
Smalt	<ul style="list-style-type: none">• Nepoužívejte ostré předměty a neklepejte na tvrdý povrch.• Zabraňte kontaktu se studenými kapalinami, dokud je spotřebič stále horký.• Používejte kovové houby a abrazivní čisticí prostředky.

Materiál	Jak udržovat tento materiál
Nerezová ocel a	<ul style="list-style-type: none"> Nepoužívejte agresivní, abrazivní nebo kov obsahující čisticí prostředky. Používejte jemné čisticí prostředky a nechte je na oceli nějakou dobu působit. Používejte měkkou houbu nebo tkaninu. Po čištění důkladně opláchněte a před uskladněním vysušte.
Práškový lak	<ul style="list-style-type: none"> Nepoužívejte ostré předměty. Používejte jemný čisticí prostředek, měkkou houbu nebo tkaninu. Po čištění důkladně opláchněte a před uskladněním vysušte.

 Zabraňte kontaktu s chlórem, solí nebo železem, vyhněte se tak vytváření rzi na nerezové oceli. Doporučujeme nepoužívat spotřebič v blízkosti pobřeží, železničních tratí nebo bazénů.

 Škody způsobené nedodržením následujících pokynů jsou považovány za neodpovídající údržbu a nejsou proto kryty zárukou.

Pod rozloženým pohledem na spotřebič (druhá část příručky) naleznete seznam všech součástí, ze kterých je zařízení sestaveno. Tento seznam zahrnuje symbol stanovující materiál každé součásti, takže jej můžete použít k ověření způsobu údržby specifické součásti. Seznam součástí používá následující symboly:

Symbol	Materiál
●	Smalt
■	Nerezová ocel
★	Práškový lak

11.5 Uskladnění spotřebiče

Pokud nepoužíváte spotřebič po delší dobu, uložte jej na suchém místě. Před uložením spotřebiče:

- Odpojte plynovou nádobu. Nikdy neskladujte spotřebič ve vnitřním prostředí (ani v garáži nebo přístřešku), pokud je připojen k plynové nádobě.
- Vyčistěte hořáky a grily, otřete je olejem a zabalte je do papíru.
- Pokud je váš spotřebič vybaven grilovacím hořákem, demontujte motor hořáku a uložte jej na suchém místě.
- Zakryjte spotřebič krytem Barbecue. Zaregistrujte svůj spotřebič na webu www.barbecue.com, kde jsou také informace o tom, který kryt budete potřebovat.

11.6 Uložení plynových nádob

Tyto pokyny platí pro prázdné i plné plynové nádoby.

- Plynové nádoby vždy skladujte venku, v dobře větraném prostředí. Ujistěte se, že nejsou vystaveny působení nadměrného tepla nebo přímému slunečnímu světlu.
- Nikdy plynovou nádobu v neskladujte na místě, které by mohlo být velmi horké (například ve vozidle, na lodi atd....).
- Nikdy neukládejte plynovou nádobu do skříně vašeho spotřebiče.
- Nikdy náhradní plynovou nádobu neumísťujte do blízkosti používaného spotřebiče.

- Plynové nádoby vždy skladujte mimo dosah dětí.
- Plynové nádoby vždy skladujte a přepravujte ve vzpřímené poloze.

11.7 Objednávání náhradních součástí

Součásti, které jsou přímo vystaveny působení ohně nebo intenzivního žaru musí být občas vyměněny. Objednávání náhradních součástí:

- Vyhledejte referenční číslo potřebné součásti. Seznam všech referenčních čísel naleznete pod rozloženými pohledy v druhé části této příručky a na webu www.barbecue.com.



Pokud si zaregistrujete svůj spotřebič online, automaticky budete odkázáni na správný seznam.

- Objednejte si náhradní součásti v místě prodeje spotřebiče. Náhradní součásti si můžete objednávat během záruční doby i po jejím uplynutí.

12 ZÁRUKA

12.1 Co je kryto

Váš spotřebič se dodává se zárukou po dobu dvou let, počínaje dnem nákupu. Tato záruka kryje všechny výrobní závady za následujících předpokladů:

- Spotřebič jste používali, smontovali a udržovali podle pokynů v této příručce. Poškození způsobené zneužitím, nesprávnou montáží nebo nepřiměřenou údržbou nejsou považovány za výrobní vady.
- Můžete předložit stvrzenkou o koupi a jedinečné sériové číslo svého spotřebiče. Toto sériové číslo začíná písmenem G, které je následované 15 číslicemi. Naleznete jej na tomto místě:
 - V této příručce a v přiložené stručné referenční příručce.
 - Na obalu spotřebiče.
 - Na typovém štítku na vnitřní straně dveří skříně.
- Oddělení kvality Barbecue ověřuje, že součásti jsou vadné a že se ukázaly vadnými při normálním použití, správné montáži a přiměřené údržbě.

Pokud jedna z výše uvedených podmínek není splněna, nemůže si jakoukoliv záruku nárokovat. Ve všech případech je záruka omezena na opravu nebo výměnu vadné součásti.

12.2 Co není kryto

Následující škody a vady nejsou zárukou kryty:

- Normální opotřebování (koroze, deformace, odbarvení...) součástí, které jsou přímo vystaveny působení ohně nebo intenzivního tepla. Je normální, že tyto součásti budou občas potřebovat výměnu.
- Vizuální nepravidelnosti jsou běžné v důsledku výrobního procesu. Tyto nepravidelnosti nejsou považovány za výrobní vady.
- Všechny škody způsobené nepřiměřenou údržbou, nesprávným skladováním, montáží nebo změnami provedenými na předem sestavených součástech.
- Všechny škody způsobené zneužitím a nesprávným použitím spotřebiče (nepoužívání podle pokynů této příručky, používání pro komerční účely...).
- Všechny následné škody způsobené neopatrným nebo nesprávným použitím spotřebiče.
- Koroze nebo odbarvení způsobené externími vlivy, použití agresivních čisticích prostředků, působení chlóru.... Tato poškození nejsou považovány za výrobní vady.

13 TECHNICKÉ ÚDAJE

13.1 Typový štítek

Typový štítek uvádí všechny technické údaje vašeho spotřebiče. Naleznete jej na tomto místě:

- V druhé části této příručky.
- Na vnitřní straně dveří skříně.

13.2 Průměry trysek

- Hlavní hořák: 0,991 mm
- Boční hořák: 0,88 mm

14 ODSTRAŇOVÁNÍ PORUCH

Problém	Pravděpodobná příčina	Řešení
Nedostatečný žár	<ul style="list-style-type: none"> Přívod plynu není otevřen Venturiho trubice nejsou umístěny na otvorech plynových ventilů Otvory hořáků jsou ucpané Plynová nádoba je (téměř) prázdná Regulátor tlaku není připojen přímo k tlakové nádobě nebo hadici 	<ul style="list-style-type: none"> Otevřete přívod plynu Umístíte Venturiho trubice na otvory plynových ventilů Vyčistěte otvory hořáku nebo hořáky vyměňte Vyměňte plynové hořáky Znovu připojte regulátor tlaku k nádobě nebo hadici
Nadměrné teploty nebo náhlá vzplanutí	<ul style="list-style-type: none"> Potraviny jsou příliš tučné Vypouštěcí otvor tuku je ucpaný, tuk v míse nebo tuk na hořácích Kryty hořáků nejsou správně namontovány Příliš vysoká teplota 	<ul style="list-style-type: none"> Odřízněte nadbytečný tuk nebo nastavte hořáky na nízký výkon Vyčistěte vypouštěcí otvory tuku, misky a hořáky Správně upevněte kryty hořáku Nastavte hořáky na nižší teplotu nebo grilujte pokrmy nepřímě
Žár není rozdělen rovnoměrně po povrchu grilu	<p>Jisté teplotní rozdíly jsou normální, viz "11.6 Optimální využití žáru" a "11.7 Využití výhod topných zón". Pravděpodobné příčiny pro vysoké teplotní rozdíly:</p> <ul style="list-style-type: none"> Kryty hořáků nejsou správně namontovány Spotřebič není předeřhát 	<ul style="list-style-type: none"> Správně upevněte kryty hořáku Předeřhajte spotřebič
Žluté plameny	<ul style="list-style-type: none"> Hořáky nebo Venturiho trubice jsou ucpané Sůl na hořácích Spotřebič je připojen k butanu 	<ul style="list-style-type: none"> Vyčistěte hořáky a Venturiho trubice Vyčistěte hořáky Připojte spotřebič k propanu pomocí vhodného regulátoru tlaku
Neúplný plamen	Hořák je ucpaný, propíchnutý nebo zkorodovaný	Vyčistěte nebo vyměňte hořák
Zpětné záblesky (plameny vně Venturiho trubic/na ovladačích hořáku)	Hořáky nebo Venturiho trubice jsou ucpané	<ol style="list-style-type: none"> Uzavřete přívod plynu a nastavte hořáky do polohy OFF (Vypnuto). Ponechte spotřebiče vychladnout. Vyčistěte hořáky a Venturiho trubice
Plameny jsou vyšší než okraj mísy	<ul style="list-style-type: none"> Příliš prudký vítr Plynová nádoba je (téměř) prázdná Tuk v míse nebo na hořácích 	<ul style="list-style-type: none"> Nasměrujte spotřebič zadní stranou proti větru Vyměňte plynové hořáky Vyčistěte mísu, hořáky a vyměňte Leaf®
Regulátor tlaku hučí	<ul style="list-style-type: none"> Horké počasí Nová (plná) plynová nádoba 	Nejedná se o nebezpečí nebo závadu. Po chvíli by se mělo automaticky zastavit.
Hořák píská, když je nastaven na LOW (Nízký výkon).	Plynová tryska, Venturiho trubice nebo hořák jsou znečištěny	Vyčistěte plynovou trysku, Venturiho trubice a hořák
Nelze zapálit hořák (pomocí zapalovače nebo zápalek)	<ul style="list-style-type: none"> Hořák nebo Venturiho trubice je ucpaná Chybí přívod plynu 	<ul style="list-style-type: none"> Vyčistěte hořák a Venturiho trubicu Otevřete přívod plynu a stiskněte bezpečnostní ovladač na regulátoru tlaku (není k dispozici na všech regulátorech tlaku)
Nelze zapálit hořák pomocí zapalovače	<ul style="list-style-type: none"> Není nainstalovaná baterie, nebo je nainstalovaná nesprávně Kabeláž zapalovače není správně namontována Elektroda poškozena Vadné uzemnění Vadný zapalovač 	<ul style="list-style-type: none"> (Znovu)nainstalujte baterii, se správně umístěnými svorkami Zkontrolujte a znovu sestavte všechna spojení zapalovače Vyměňte elektrodu Zkontrolujte a znovu sestavte elektrody, hořáky a zapalovač Vyměňte zapalovač

Problém	Pravděpodobná příčina	Řešení
Při stisknutí zapalovače nevznikají žádné jiskry ani zvuky	<ul style="list-style-type: none"> • Není nainstalovaná baterie, nebo je nainstalovaná nesprávně • Vybitá baterie • Tlačítko zapalovače není sestaveno správně • Vadný generátor jisker 	<ul style="list-style-type: none"> • (Znovu)nainstalujte baterii, se správně umístěnými svorkami • Vyměňte baterii • Znovu sestavte tlačítko zapalovače • Vyměňte generátor jisker
Při stisknutí zapalovače je slyšet pouze zvuk (žádné jiskry)	<ul style="list-style-type: none"> • Vadné uzemnění • Hořák a elektroda jsou příliš daleko od sebe 	<ul style="list-style-type: none"> • Připojte generátor jisker a elektrody • Mírně ohněte elektrodu a přisuňte ji blíže k hořáku
Vyskytují se jiskry, které nepocházejí z hořáků	Vadná kabeláž	Vyměňte kabeláž
Jiskry jsou generovány, avšak nikoliv na všech elektrodách nebo nejsou dostatečně výkonné	<ul style="list-style-type: none"> • Vadné uzemnění • Téměř vybitá baterie • Mokrý nebo prasklé elektrody 	<ul style="list-style-type: none"> • Připojte generátor jisker a elektrody • Vyměňte baterii • Vysušte elektrody papírovými utěrkami nebo je vyměňte

ΕΛ - ΟΔΗΓΪΕΣ ΧΡΪΣΗΣ

1	Δήλωση της συσκευής σας	234	10	Διαβάστε και τηρήστε τις οδηγίες	241
2	Σχετικά με αυτό το εγχειρίδιο	234		• Προθέρμανση της συσκευής	241
3	Σημαντικές οδηγίες ασφαλείας	234		• Διαβάστε και τηρήστε τις οδηγίες	241
	• Διαβάστε και τηρήστε τις οδηγίες	234		• Διαβάστε και τηρήστε τις οδηγίες	241
	• Προσοχή με το αέριο	234		• Ψήσιμο με κλειστό καπάκι	241
	• Διαβάστε και τηρήστε τις οδηγίες	234		• Παρακολούθηση της θερμοκρασίας.....	242
	• Χρησιμοποιήστε την κοινή λογική	234		• Διαβάστε και τηρήστε τις οδηγίες	242
4	Επαναλαμβανόμενες έννοιες	235		• Αξιοποίηση των ζωνών θερμότητας	242
	• Σωλήνες Venturi	235		• Πώς να αποφύγετε τις ξαφνικές φλόγες	242
	• Διαβάστε και τηρήστε τις οδηγίες	234	11	Διαβάστε και τηρήστε τις οδηγίες	242
	• Εμαγίε.....	235		• Καθαρισμός της σχάρας.....	242
	• Διαβάστε και τηρήστε τις οδηγίες	234		• Καθαρισμός του μπολ	243
5	Συναρμολόγηση της συσκευής	236		• Καθαρισμός των κλιβάνων και των σωλήνων Venturi	243
	• Διαβάστε και τηρήστε τις οδηγίες	234		• Διαβάστε και τηρήστε τις οδηγίες	244
	• Για να συναρμολογήσετε τη συσκευή	236		• Αποθήκευση της συσκευής	244
6	Διαβάστε και τηρήστε τις οδηγίες	234		• Διαβάστε και τηρήστε τις οδηγίες	244
	• Ποια φιάλη, αγωγό και ρυθμιστή να χρησιμοποιήσω; 236			• Παραγγελία ανταλλακτικών.....	244
	• Διαβάστε και τηρήστε τις οδηγίες	234	12	Εγγύηση.....	244
	• Διαβάστε και τηρήστε τις οδηγίες	234		• Διαβάστε και τηρήστε τις οδηγίες	244
	• Διαβάστε και τηρήστε τις οδηγίες	234		• Τι δεν καλύπτεται.....	245
	• Αντικατάσταση της φιάλης.....	237	13	Διαβάστε και τηρήστε τις οδηγίες	245
7	Διαβάστε και τηρήστε τις οδηγίες	234		• Διαβάστε και τηρήστε τις οδηγίες	245
	• Διαβάστε και τηρήστε τις οδηγίες	234		• Διαβάστε και τηρήστε τις οδηγίες	245
	• Διαβάστε και τηρήστε τις οδηγίες	234	14	Αντιμετώπιση προβλημάτων	246
	• Τι υλικά χρειαζομαι;	238			
	• Για να ελέγξετε για τυχόν διαρροή αερίου.....	238			
	• Διαβάστε και τηρήστε τις οδηγίες	234			
8	Προετοιμασία της συσκευής για χρήση	238			
	• Πριν από κάθε χρήση	238			
	• Πριν από την πρώτη χρήση (ύστερα από πολύ καιρό)	239			
	• Κάψιμο της συσκευής	239			
9	Άναμμα των κλιβάνων	239			
	• Διαβάστε και τηρήστε τις οδηγίες	234			
	• Άναμμα των κύριων κλιβάνων.....	239			
	• Άναμμα του πλαϊνού κλιβάνου	240			
	• Διαβάστε και τηρήστε τις οδηγίες	240			
	• Άναμμα των κλιβάνων (εάν σβήσουν)	240			
	• Διαβάστε και τηρήστε τις οδηγίες	241			

1 Δ'ΗΛΩΣΗ ΤΗΣ ΣΥΣΚΕΥΉΣ ΣΑΣ

Σας ευχαριστούμε που αγοράσατε συσκευή Barbecue! Είμαστε βέβαιοι ότι θα σας χαρίσει πολλές όμορφες στιγμές μπάρμπεκιου.

Για να βελτιστοποιήσετε την εμπειρία σας, δηλώστε τη συσκευή σας στη διεύθυνση www.barbecue.com. Η διαδικασία διαρκεί μόνο λίγα λεπτά και σας προσφέρει μεγάλα πλεονεκτήματα:

- Αποκτάτε πρόσβαση στην προσωπική σας υπηρεσία εξυπηρέτησης. Αυτό σας επιτρέπει, για παράδειγμα, να βρίσκετε γρήγορα ανταλλακτικά για τη συσκευή σας ή να αξιοποιείτε αναβαθμισμένες υπηρεσίες σέρβις.
- Σας αποστέλλουμε πληροφορίες για ενδιαφέρουσες ενημερώσεις προϊόντων και σας παραπέμπουμε σε πληροφορίες και προδιαγραφές προϊόντων που σχετίζονται με τη συσκευή σας.



Για περισσότερες πληροφορίες σχετικά με τη δήλωση της συσκευής σας, ανατρέξτε στη διεύθυνση www.barbecue.com.



Η Barbecue σέβεται το προσωπικό σας απόρρητο. Τα δεδομένα σας δεν θα πωληθούν, δεν θα διανεμηθούν και δεν θα κοινοποιηθούν σε τρίτους.

2 ΣΧΕΤΙΚΑ ΜΕ ΑΥΤΟ ΤΟ ΕΓΧΕΙΡΙΔΙΟ

Αυτό το εγχειρίδιο αποτελείται από δύο μέρη:

- Το πρώτο μέρος είναι το μέρος που διαβάζετε αυτήν τη στιγμή. Περιλαμβάνει οδηγίες για τη συναρμολόγηση, τη χρήση και τη συντήρηση της συσκευής σας.
- Το δεύτερο μέρος ξεκινά στη σελίδα 379. Περιλαμβάνει όλα τα είδη εικόνων (αναλυτικές προβολές, σχεδιαγράμματα συναρμολόγησης...) για τις συσκευές που περιγράφονται σε αυτό το εγχειρίδιο.

3 ΣΗΜΑΝΤΙΚΈΣ ΟΔΗΓΊΕΣ ΑΣΦΑΛΕΊΑΣ

3.1 Διαβάστε και τηρήστε τις οδηγίες

Διαβάστε τις οδηγίες προτού χρησιμοποιήσετε τη συσκευή. Ακολουθείτε πάντοτε προσεκτικά τις οδηγίες. Εάν συναρμολογήσετε ή χρησιμοποιήσετε με διαφορετικό τρόπο τη συσκευή, μπορεί να προκληθεί πυρκαγιά και ζημιά.



Ζημιές που προκαλούνται από αμέλεια τήρησης των οδηγιών (κακή συναρμολόγηση, κακή χρήση, ανεπαρκής συντήρηση κλπ.) δεν καλύπτονται από την εγγύηση.

3.2 Προσοχή με το αέριο

Η χρήση αερίου είναι εντελώς ασφαλής, ωστόσο απαιτεί πρόσθετη προσοχή:

- Φυλάσσετε πάντα τις φιάλες αερίου εκτός σπιτιού, σε καλά αεριζόμενο χώρο. Βεβαιωθείτε ότι δεν εκτίθενται σε υπερβολική ζέση ή σε άμεσο ηλιακό φως.
- Ποτέ μην φυλάσσετε τη φιάλη αερίου ή ανταλλακτικές φιάλες στο περίβλημα της συσκευής σας.
- Κατά τη χρήση, τοποθετήστε τη φιάλη αερίου στην ειδική θήκη στο πλάι της συσκευής.
- Ποτέ μην αποθηκεύετε την ανταλλακτική φιάλη αερίου κοντά σε συσκευή αερίου που είναι σε χρήση.

- Κλείνετε πάντοτε την παροχή αερίου της φιάλης ύστερα από κάθε χρήση.
- Ποτέ μην καπνίζετε κοντά σε συσκευές που λειτουργούν με αέριο ή κοντά σε φιάλη αερίου, κενή ή γεμάτη.



Εάν παρατηρήσετε οσμή αερίου, κλείστε αμέσως την παροχή αερίου, σβήστε όλες τις φλόγες και ανοίξτε το καπάκι της συσκευής. Εάν η οσμή παραμένει, επικοινωνήστε με τον προμηθευτή αερίου ή με την πυροσβεστική.

3.3 Επιλέξτε την κατάλληλη θέση

Χρησιμοποιείτε τη συσκευή μόνο σε υπαίθριο χώρο. Εάν τη χρησιμοποιήσετε σε κλειστό χώρο, ακόμη και σε γκαράζ ή εξωτερική αποθήκη, μπορεί να προκληθεί δηλητηρίαση από μονοξείδιο του άνθρακα.

Όταν επιλέγετε μια θέση σε ανοιχτό χώρο, προσέχετε πάντα:

- Να τοποθετείτε τη συσκευή τουλάχιστον τρία μέτρα μακριά από κτίσματα, σε ανοιχτό και καλά αεριζόμενο χώρο.
- Να φροντίζετε ώστε να υπάρχει ελεύθερη ροή αέρα στους κλιβάνους και στις οπές εξαερισμού του περιβλήματος ανά πάσα στιγμή.
- Να φροντίζετε ώστε η συσκευή να μη βρίσκεται κάτω από κάποια κατασκευή (βεράντα, υπόστεγο κλπ.) ή κάτω από δέντρα.
- Να τοποθετείτε τη συσκευή σε ανθεκτική και σταθερή επιφάνεια. Να μην τη χρησιμοποιείτε ποτέ επάνω σε μετακινούμενο όχημα (σκάφος, τρέιλερ κλπ.).

3.4 Χρησιμοποιήστε την κοινή λογική

Χρησιμοποιείτε πάντοτε την κοινή λογική κατά το χειρισμό της συσκευής:

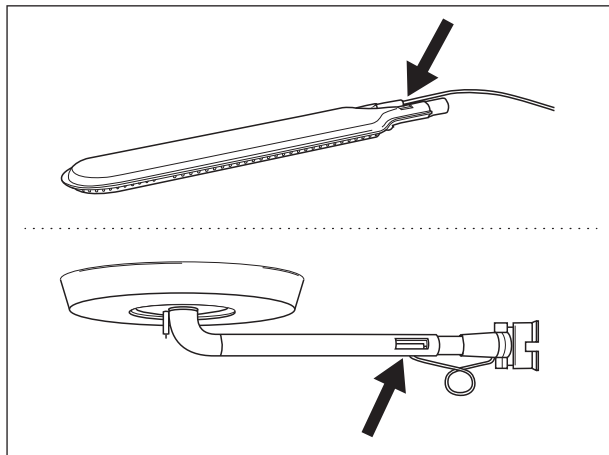
- Χρησιμοποιείτε μόνο σε υπαίθριο χώρο.
- Μη μετακινείτε τη συσκευή κατά τη χρήση.
- Μην αφήνετε τη συσκευή χωρίς παρακολούθηση κατά τη χρήση, ιδιαίτερα όταν κυκλοφορούν στο σημείο παιδιά ή ζώα.
- ΠΡΟΕΙΔΟΠΟΙΗΣΗ! Ορισμένα προσβάσιμα τμήματα μπορεί να καίνε. Κρατήστε μακριά τα μικρά παιδιά.
- Λάβετε τα κατάλληλα προστατευτικά μέτρα όταν χειρίζεστε τμήματα που καίνε (καπάκι, σχάρα κ.λπ.).
- Κατά τη χρήση, η συσκευή πρέπει να είναι τοποθετημένη μακριά από εύφλεκτα υλικά.
- Κρατάτε εύφλεκτα υλικά, εύφλεκτα υγρά ή διαλυτά αντικείμενα μακριά από τη συσκευή κατά τη χρήση της.
- Μη χρησιμοποιείτε ξύλο, κάρβουνο, ηφαιστειακές πέτρες ή κεραμικές μπρικέτες σε συσκευή που λειτουργεί με αέριο.
- Μη χρησιμοποιείτε τη συσκευή όταν έχετε καταναλώσει αλκοόλ ή ουσίες που επηρεάζουν τις αισθήσεις σας.
- Μην τροποποιείτε τη συσκευή.

4 ΕΠΑΝΑΛΑΜΒΑΝΟΜΕΝΕΣ ΈΝΝΟΙΕΣ

Αυτό το μέρος περιλαμβάνει ορισμούς για κάποιες λιγότερο γνωστές έννοιες. Αυτές οι έννοιες χρησιμοποιούνται σε διάφορες ενότητες του εγχειριδίου.

4.1 Σωλήνες Venturi

Οι σωλήνες Venturi είναι μικροί σωλήνες προσαρμοσμένοι στην είσοδο των κλιβάνων. Στα πλαϊνά των σωλήνων Venturi υπάρχει μία οπή. Είναι ορατή στους κύριους κλιβάνους και στον πλευρικό κλίβανο:



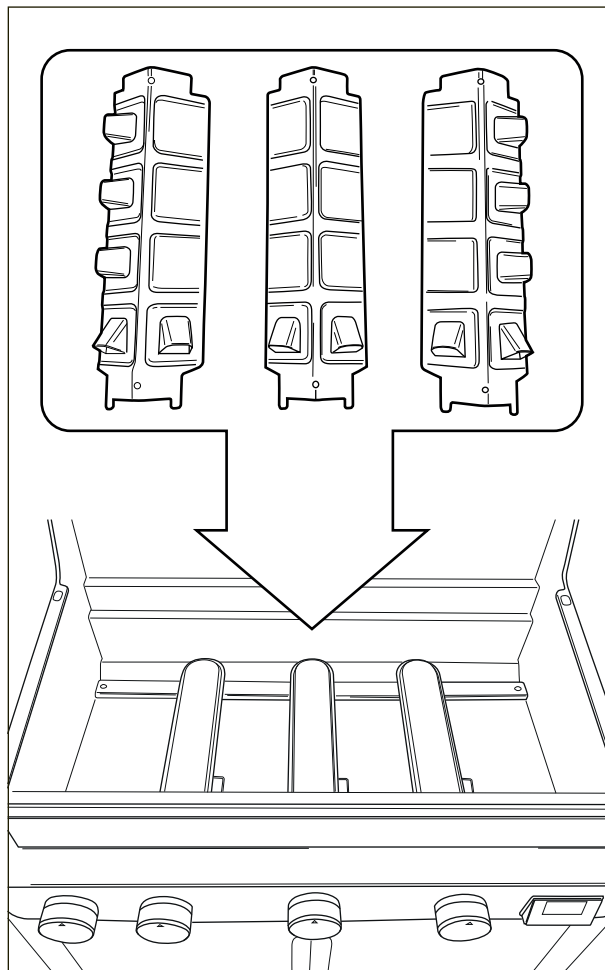
Καθώς το αέριο κατευθύνεται προς τους κλιβάνους, περνά από τους σωλήνες Venturi. Χάρη στις οπές στα πλαϊνά, το αέριο αναμειγνύεται με αέρα και, συνεπώς, με οξυγόνο. Αυτό είναι απαραίτητο για τη σωστή ανάφλεξη στους κλιβάνους: μόνο το σωστό μείγμα αερίου και οξυγόνου μπορεί να εξασφαλίσει σωστή ανάφλεξη και ωραίες φλόγες.

4.2 Καλύμματα κλιβάνων

Τα καλύμματα κλιβάνων είναι τα καλύμματα που τοποθετείτε επάνω από τους κλιβάνους στη συσκευή σας. Προστατεύουν τους κλιβάνους από το λίπος που πέφτει και παίζουν σημαντικό ρόλο στο Turbo Heating System. Οι οπές στα πλαϊνά των καλυμμάτων κατανέμουν τη θερμότητα επάνω στη σχάρα, έτσι ώστε να θερμαίνεται πιο γρήγορα και ομοιόμορφα.



Δείτε ιδιαίτερη προσοχή στα καλύμματα κλιβάνων κατά τη συναρμολόγηση της συσκευής σας. Το Turbo Heating System λειτουργεί σωστά μόνο εφόσον κάθε κάλυμμα τοποθετείται επάνω από τον σωστό κλίβανο.



4.3 Εμαγιέ

Ορισμένα μέρη της συσκευής καλύπτονται με μια επίστρωση λιωμένου γυαλιού, που ονομάζεται εμαγιέ. Αυτή η επίστρωση προστατεύει το μέταλλο από τη διάβρωση. Το εμαγιέ είναι υλικό υψηλής ποιότητας: αντέχει στη σκουριά, δεν φθείρεται κατά την έκθεση σε υψηλές θερμοκρασίες και είναι πολύ εύκολο στη συντήρηση.



Επειδή η επίστρωση εμαγιέ είναι λιγότερο ελαστική από το μέταλλο που καλύπτει, το εμαγιέ μπορεί να ξεφλουδίσει εάν χειρίζεστε τη συσκευή απρόσεκτα. Για να αποφύγετε προβλήματα, να είστε προσεκτικοί κατά τη συναρμολόγηση των τμημάτων με επίστρωση εμαγιέ και να φροντίζετε την επίστρωση όπως περιγράφεται παρακάτω στο εγχειρίδιο.

4.4 Ξαφνικές φλόγες

Οι ξαφνικές φλόγες είναι μεγάλες, απότομες φλόγες που εκτινάσσονται από το μπολ κατά το ψήσιμο. Προκαλούνται συνήθως από λίπος ή μαρινάδα που στάζει.

5 ΣΥΝΑΡΜΟΛΟΓΗΣΗ ΤΗΣ ΣΥΣΚΕΥΗΣ


5.1 Οδηγίες ασφαλείας


- Μην τροποποιείτε τη συσκευή κατά τη συναρμολόγηση. Είναι πολύ επικίνδυνο και δεν επιτρέπεται να αλλάζετε εξαρτήματα που είναι ήδη συναρμολογημένα ή/και σφραγισμένα από τον κατασκευαστή.
- Ακολουθείτε πάντοτε προσεκτικά τις οδηγίες συναρμολόγησης.
- Ο χρήστης είναι υπεύθυνος για τη σωστή συναρμολόγηση της συσκευής. Ζημιές που προκαλούνται από κακή συναρμολόγηση δεν καλύπτονται από την εγγύηση.

5.2 Για να συναρμολογήσετε τη συσκευή

Χρειάζεστε ένα σταυροκατσάβιδο, ένα απλό κατσαβίδι και μια μπαταρία AA (για τον ηλεκτρικό αναφλεκτήρα). Εάν η συσκευή σας είναι εφοδιασμένη με κλιβανο σούβλας, χρειάζεστε επίσης δυο μπαταρίες τύπου D (για το μηχανισμό του κλιβάνου). Οι μπαταρίες δεν παρέχονται με τη συσκευή.

- Τοποθετήστε τη συσκευή σε επίπεδη και καθαρή επιφάνεια.
- Συναρμολογήστε τη συσκευή όπως δείχνουν τα σχεδιαγράμματα συναρμολόγησης. Θα τα βρείτε στο δεύτερο μέρος αυτού του εγχειριδίου, ύστερα από την αναλυτική προβολή των εξαρτημάτων της συσκευής σας.

 Να είστε προσεκτικοί κατά τη συναρμολόγηση των εξαρτημάτων από εμαγιέ. Τα εργαλεία και οι βίδες ενδέχεται να προξενήσουν φθορά στο εμαγιέ. Χρησιμοποιήστε τις ροδέλες που παρέχονται για να προστατέψετε το εμαγιέ στα σημεία γύρω από τις βίδες.

 Τα πακέτα μπορεί να περιέχουν περισσότερες βίδες από όσες χρειάζονται. Μπορεί να περισσέψουν βίδες μετά τη συναρμολόγηση.

6 ΣΥΝΔΕΣΗ ΤΗΣ ΠΑΡΟΧΗΣ ΑΕΡΙΟΥ ΜΕ ΤΗ ΣΥΣΚΕΥΗ


6.1 Ποια φιάλη, αγωγό και ρυθμιστή να χρησιμοποιήσω;


Για να μπορέσετε να συνδέσετε την παροχή αερίου στη συσκευή, πρέπει να αγοράσετε μια φιάλη αερίου, έναν αγωγό (σωλήνα) και ένα ρυθμιστή πίεσης. Αγοράζετε πάντοτε υλικά τα οποία ικανοποιούν όλα τα εθνικά πρότυπα και με τους τύπους αερίου και τις ονομαστικές πιέσεις που αναφέρονται στη συσκευή.

Ο παρακάτω πίνακας δείχνει ποιες φιάλες, αγωγούς και ρυθμιστές πίεσης πρέπει να χρησιμοποιείτε. Στο Βέλγιο (BE), για παράδειγμα, πρέπει να χρησιμοποιείτε φιάλη προπανίου με αγωγό και ρυθμιστή για 37 mbar ή φιάλη βουτανίου με αγωγό και ρυθμιστή για 28-30 mbar.

Χώρα	Φιάλη, αγωγός και ρυθμιστής
DK, GR, NO, SE, EE, LT, LV, CZ, PL, MT, HU, SI, SK	Προπάνιο, 30 mbar / Βουτάνιο, 30 mbar
ES, GB, IE, PT, BE, FR, LU, IT	Προπάνιο, 37 mbar / Βουτάνιο, 28-30 mbar

Χώρα	Φιάλη, αγωγός και ρυθμιστής
NL	Προπάνιο, 30 ή 50 mbar / Βουτάνιο, 30 mbar
CY	Προπάνιο, 30 ή 37 mbar / Βουτάνιο, 28-30 mbar

 Συνιστούμε σύνδεση της συσκευής σε φιάλη προπανίου. Το προπάνιο παρέχει καύση υψηλής ποιότητας και είναι λιγότερο ευαίσθητο στον παγετό.

 Αγοράστε το ρυθμιστή πίεσης μαζί με τη φιάλη αερίου. Δεν ταιριάζουν όλοι οι ρυθμιστές με όλες τις φιάλες.


6.2 Οδηγίες ασφαλείας

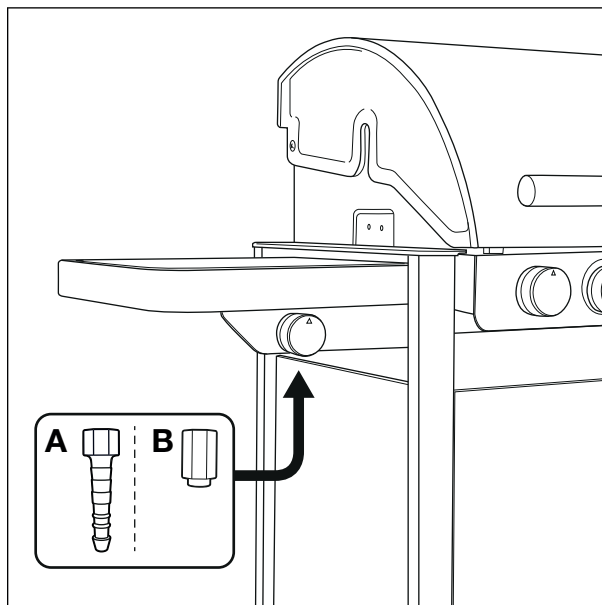
- Ποτέ μη συνδέετε τη φιάλη αερίου απευθείας στη συσκευή. Πάντοτε να τοποθετείτε πρώτα ένα ρυθμιστή πίεσης στη φιάλη.
- Ποτέ μην τροποποιείτε προσυναρμολογημένα ή σφραγισμένα τμήματα στη φιάλη, τον αγωγό ή το ρυθμιστή πίεσης.
- Κρατήστε τον αγωγό όσο το δυνατό πιο κοντό (το πολύ 500 - 650 χιλιοστόμετρο), ώστε να μη σέρνεται στο έδαφος.
- Όταν συνδέετε τη φιάλη, τον αγωγό και το ρυθμιστή πίεσης:
 - Ποτέ μην παραμορφώνετε τον αγωγό.
 - Κρατάτε τη φιάλη πάντοτε σε όρθια θέση.
 - Ποτέ μην ανοίγετε την παροχή αερίου.
- Ελέγχετε για διαρροές κάθε φορά που πραγματοποιείτε αλλαγές στη σύνδεση του αερίου. Ανατρέξτε στην ενότητα "7 Έλεγχος για διαρροή αερίου".

6.3 Σύνδεση του σωλήνα με τη συσκευή

Για να συνδέσετε τον σωλήνα αερίου στη συσκευή, πρέπει να τοποθετήσετε μια σύζευξη στην υποδοχή αερίου της συσκευής. Με τη συσκευή παρέχονται δύο συζεύξεις, οι οποίες προορίζονται για συγκεκριμένες χώρες:

Χώρα	Σύζευξη
BE, CH, CZ, DK, ES, FI, GB, IE, IT, PT, SI	Σύζευξη A
FR	Σύζευξη B

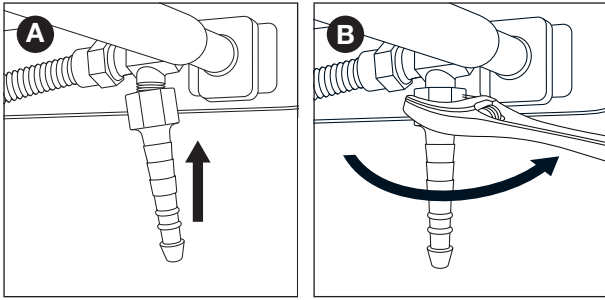
 Εάν η χώρα σας δεν εμφανίζεται στον πίνακα, χρησιμοποιήστε τη σύζευξη που ικανοποιεί τα εθνικά σας πρότυπα.



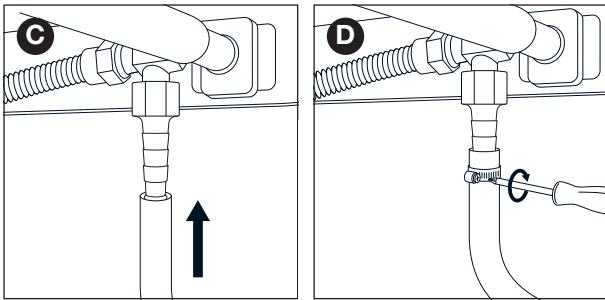
6.3.1 ΣΥΖΕΥΞΗ Α

Χρειάζεστε ένα κλειδί σύσφιξης 19 mm και ένα σταυροκατσάβιδο.

- 1 Βιδώστε τη σύζευξη στην υποδοχή αερίου της συσκευής (Α) και σφίξτε τη με ένα κλειδί 19 mm (Β).



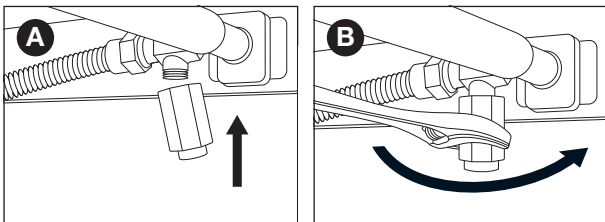
- 2 Περάστε τον αγωγό στη σύζευξη (Γ) και σφίξτε το δακτύλιο σύσφιξης με ένα σταυροκατσάβιδο (Δ).



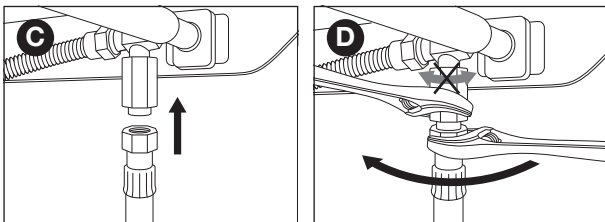
6.3.2 ΣΥΖΕΥΞΗ Β

Χρειάζεστε ένα κλειδί σύσφιξης 22 mm και ένα κλειδί μεταβλητού ανοίγματος.

- 1 Βιδώστε τη σύζευξη στην υποδοχή αερίου της συσκευής (Α) και σφίξτε τη με ένα κλειδί σύσφιξης 22 mm (Β).



- 2 Βιδώστε τον αγωγό (σωλήνα) στη σύζευξη (Γ) και σφίξτε τον με δυο κλειδιά. Κρατήστε τη σύζευξη με ένα κλειδί 22 mm βιδώνοντας ταυτόχρονα τον σωλήνα με το κλειδί μεταβλητού ανοίγματος (Δ).

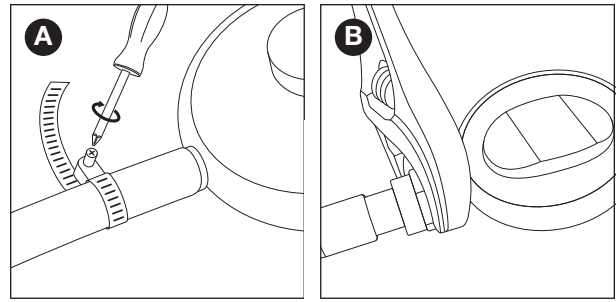


6.4 Σύνδεση του αγωγού και της φιάλης στο ρυθμιστή

Ανάλογα με τον τύπο του ρυθμιστή πίεσης που χρησιμοποιείτε, χρειάζεστε ένα σταυροκατσάβιδο ή/και ένα κλειδί μεταβλητού ανοίγματος.

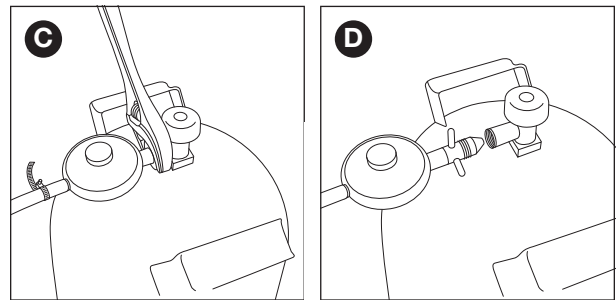
- 1 Συνδέστε τον αγωγό (σωλήνα) στο ρυθμιστή πίεσης. Κάντε ένα από τα εξής:
 - Εάν ο αγωγός περιλαμβάνει δακτύλιο σύσφιξης, προσαρμόστε τον αγωγό στο ρυθμιστή και σφίξτε το δακτύλιο με ένα σταυροκατσάβιδο (Α).

- Εάν ο αγωγός έχει μπουλόνι, βιδώστε τον αγωγό στο ρυθμιστή και σφίξτε το μπουλόνι με ένα κλειδί σύσφιξης (Β).



- 2 Συνδέστε το ρυθμιστή πίεσης στη φιάλη αερίου. Κάντε ένα από τα εξής:

- Εάν ο ρυθμιστής έχει μπουλόνι, βιδώστε το ρυθμιστή δεξιόστροφα στη φιάλη και σφίξτε το μπουλόνι με ένα κλειδί (Γ).
- Εάν ο ρυθμιστής έχει σπείρωμα βίδας, βιδώστε το ρυθμιστή αριστερόστροφα στη φιάλη (Δ).



6.5 Αντικατάσταση της φιάλης

- 1 Κλείστε την παροχή αερίου και γυρίστε όλους τους διακόπτες στη θέση OFF.
- 2 Αποσυνδέστε την κενή φιάλη και συνδέστε τη γεμάτη.
- 3 Ελέγξτε τη φιάλη, τον αγωγό και όλες τις συνδέσεις της παροχής αερίου για τυχόν διαρροή. Ανατρέξτε στην ενότητα "7 Έλεγχος για διαρροή αερίου".


7 'ΕΛΕΓΧΟΣ ΓΙΑ ΔΙΑΡΡΟΉ ΑΕΡΪΟΥ

7.1 Γιατί πρέπει να γίνεται έλεγχος για διαρροή αερίου;

Το προπάνιο και το βουτάνιο είναι βαρύτερα από τον αέρα. Κατά συνέπεια, δεν διαλύονται καθώς διαρρέουν από τη συσκευή. Ιδιαίτερα τις ημέρες με άπνοια, μια διαρροή μπορεί να προκαλέσει συγκέντρωση του αερίου μέσα και γύρω από τη συσκευή. Το συσσωρευμένο αέριο μπορεί να πάρει φωτιά και να προκαλέσει έκρηξη.

7.2 Πότε πρέπει να γίνεται έλεγχος για διαρροή αερίου;

- Πριν από την πρώτη χρήση ή πριν από την πρώτη χρήση ύστερα από μεγάλο χρονικό διάστημα κατά το οποίο δεν χρησιμοποιούσατε τη συσκευή.

 Επίσης ελέγξτε για τυχόν διαρροή αερίου, εάν η συσκευή συναρμολογήθηκε στο κατάστημα από το οποίο την αγοράσατε.

- Κάθε φορά που αντικαθιστάτε ένα τμήμα της παροχής αερίου.
- Τουλάχιστον μία φορά το χρόνο, κατά προτίμηση στην αρχή της σεζόν.

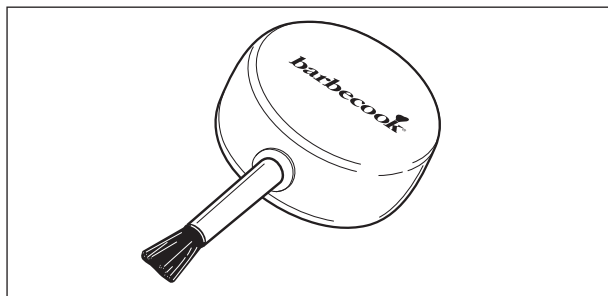
7.3 Οδηγίες ασφαλείας

- Τοποθετήστε τη συσκευή σε υπαίθριο χώρο, σε σημείο που αερίζεται καλά. Βεβαιωθείτε ότι δεν υπάρχουν φλόγες ή εστίες θερμότητας κοντά στη συσκευή.
- Ποτέ μη χρησιμοποιείτε αναπτήρα ή σπίρτα για να ελέγξετε για τυχόν διαρροή αερίου.
- Μην καπνίζετε και μην ανάβετε τους κλιβάνους όταν ελέγχετε για διαρροή αερίου.

7.4 Τι υλικά χρειάζομαι;

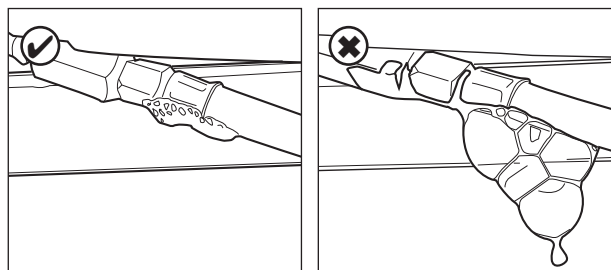
Για να ελέγξετε για διαρροή αερίου, χρειάζεστε:

- Ένα δοκιμαστικό υγρό. Μπορείτε να χρησιμοποιήσετε ένα έτοιμο σπρέι ελέγχου διαρροής, ή ένα μείγμα νερού (50%) και υγρού πιάτων (50%).
- Το εργαλείο ελέγχου διαρροής που παρέχεται με τη συσκευή σας. Το χρησιμοποιείτε για την απορρόφηση του δοκιμαστικού υγρού και την εφαρμογή του στα τμήματα παροχής αερίου ή στις συνδέσεις που θέλετε να ελέγξετε.



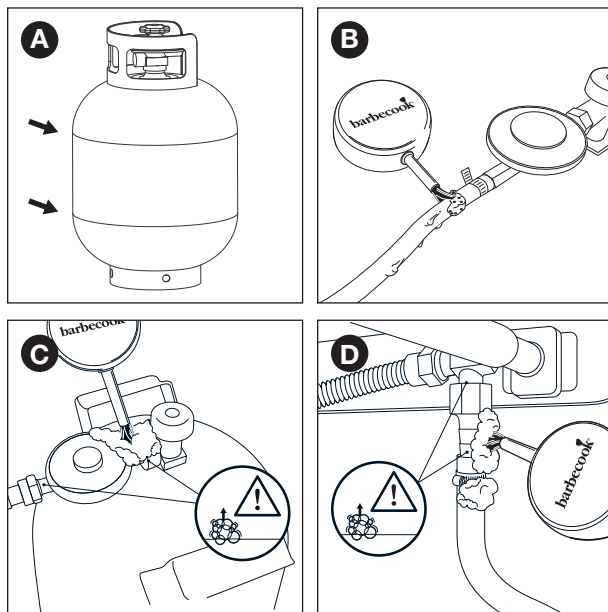
7.5 Για να ελέγξετε για τυχόν διαρροή αερίου

Ελέγχετε για διαρροή αερίου ρίχνοντας δοκιμαστικό υγρό σε όλα τα τμήματα και τις συνδέσεις παροχής αερίου. Εάν πολλαπλασιάζονται οι φυσαλίδες σε ένα συγκεκριμένο τμήμα ή σύνδεση, υπάρχει διαρροή:



Για να ελέγξετε για διαρροή αερίου, προχωρήστε ως εξής:

- 1 Τοποθετήστε τη συσκευή και υπαίθριο χώρο.
- 2 Πάρτε το εργαλείο ελέγχου διαρροής και το δοκιμαστικό υγρό (σπρέι ή μείγμα νερού/σαπουνιού).
- 3 Ανοίξτε το καπάκι και κλείστε όλους τους διακόπτες (γυρίστε τους στη θέση OFF).
- 4 Ανοίξτε προσεκτικά την παροχή αερίου. Γυρίστε τη βαλβίδα της φιάλης αερίου μόνο μία φορά.
- 5 Απορροφήστε λίγο δοκιμαστικό υγρό με το εργαλείο ελέγχου διαρροής και εφαρμόστε το στην περιοχή που θέλετε να ελέγξετε. Πρέπει να ελέγξετε:
 - Τις συγκολλήσεις της φιάλης αερίου (Α)
 - Τον αγωγό (Β)
 - Τις συνδέσεις ανάμεσα στη φιάλη και το ρυθμιστή πίεσης, καθώς και ανάμεσα στο ρυθμιστή πίεσης και τον αγωγό (Γ)
 - Τη σύνδεση ανάμεσα στον αγωγό και τη συσκευή (Δ)



i Ο ρυθμιστής πίεσης και η σύνδεση μπορεί να διαφέρουν από αυτά που παρουσιάζονται στις εικόνες.

6 Κάντε ένα από τα εξής:

- Εάν εντοπίσετε διαρροή, συνεχίστε όπως περιγράφεται στην ενότητα “ Σε περίπτωση διαρροής αερίου”.
- Εάν δεν υπάρχει διαρροή, κλείστε την παροχή αερίου, ξεπλύνετε όλα τα τμήματα με νερό και στεγνώστε τα καλά.

7.6 Σε περίπτωση διαρροής αερίου

- 1 Κλείστε την παροχή αερίου και κάντε ένα από τα εξής:
 - Εάν εντοπίσατε διαρροή σε μία από τις συνδέσεις, σφίξτε τη συγκεκριμένη σύνδεση.
 - Εάν εντοπίσατε διαρροή στη φιάλη ή τον αγωγό, αντικαταστήστε τη φιάλη ή τον αγωγό.
- 2 Ελέγξτε ξανά τη σύνδεση ή το τμήμα στο οποίο εντοπίσατε τη διαρροή.
- 3 Εάν η διαρροή δεν επισκευάζεται, επικοινωνήστε με έναν αντιπρόσωπο της Barbecook. Μη χρησιμοποιείτε τη συσκευή μέχρι να επισκευαστεί η διαρροή.

💡 Για μια λίστα με αντιπροσώπους της Barbecook στην περιοχή σας, ανατρέξτε στη διεύθυνση www.barbecook.com.

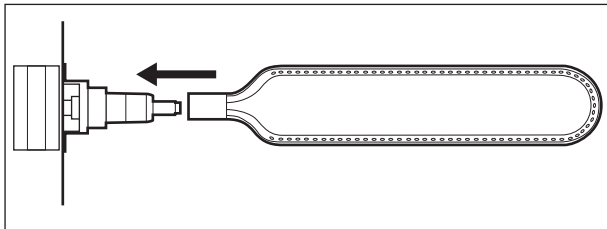
8 ΠΡΟΕΤΟΙΜΑΣΙΑ ΤΗΣ ΣΥΣΚΕΥΉΣ ΓΙΑ ΧΡΉΣΗ


8.1 Πριν από κάθε χρήση

Κάθε φορά που χρησιμοποιείτε τη συσκευή, βεβαιωθείτε ότι:

- Η συσκευή βρίσκεται σε κατάλληλο σημείο. Ανατρέξτε στην ενότητα “3.3 Επιλέξτε την κατάλληλη θέση”.
- Ο αγωγός αερίου δεν σέρνεται στο έδαφος και δεν έρχεται σε επαφή με θερμή επιφάνεια ή με λίπος που πέφτει.
- Το μπολ είναι καθαρό. Συνιστούμε να τοποθετείτε νέο Leaf® στο μπολ πριν από κάθε χρήση. Ανατρέξτε στην ενότητα “11.2 Καθαρισμός του μπολ”.
- Οι κλιβάνοι και οι σωλήνες Venturi δεν είναι φραγμένοι από φωλιές εντόμων ή ιστούς αράχνης. Ανατρέξτε στην ενότητα “11.3 Καθαρισμός των κλιβάνων και των σωλήνων Venturi”.

- Η συσκευή είναι συναρμολογημένη σωστά. Δείτε ιδιαίτερη προσοχή στα εξής:
 - Καλύμματα κλιβάνων. Κάθε κάλυμμα πρέπει να τοποθετείται επάνω από τον σωστό κλιβανο. Ανατρέξτε στην ενότητα “4.2 Καλύμματα κλιβάνων”.
 - Σωλήνες Venturi των κλιβάνων. Πρέπει να είναι τοποθετημένοι επάνω από τα ανοίγματα των βαλβίδων αερίου.




-  Εάν θέλετε να είστε απολύτως βέβαιοι ότι η σύνδεση της παροχής αερίου είναι εντάξει, μπορείτε να ελέγχετε τη συσκευή σας για διαρροή αερίου πριν από κάθε χρήση. Ανατρέξτε στην ενότητα “7 Έλεγχος για διαρροή αερίου”.

8.2 Πριν από την πρώτη χρήση (ύστερα από πολύ καιρό)

Εάν χρησιμοποιείτε τη συσκευή για πρώτη φορά ύστερα από μεγάλο χρονικό διάστημα κατά το οποίο δεν τη χρησιμοποιούσατε, πρέπει να πραγματοποιήσετε τους εξής πρόσθετους ελέγχους:

- Βεβαιωθείτε ότι έχετε διαβάσει, κατανοήσει και ελέγξει όλες τις οδηγίες στο παρόν εγχειρίδιο (μόνο πριν από την πρώτη χρήση).
- Ελέγξτε τη συσκευή για τυχόν διαρροή αερίου. Ανατρέξτε στην ενότητα “7 Έλεγχος για διαρροή αερίου”.

 Επίσης ελέγξτε για τυχόν διαρροή αερίου, εάν η συσκευή συναρμολογήθηκε στο κατάστημα από το οποίο την αγοράσατε.


- Καθαρίστε τους κλιβάνους και τους σωλήνες Venturi (μόνο πριν από την πρώτη χρήση ύστερα από πολύ καιρό). Ανατρέξτε στην ενότητα “11.3 Καθαρισμός των κλιβάνων και των σωλήνων Venturi”.
- Αφήστε τη συσκευή να κάψει προτού τοποθετήσετε φαγητό επάνω της (μόνο πριν από την πρώτη χρήση). Ανατρέξτε στην ενότητα “8.3 Κάψιμο της συσκευής”.

8.3 Κάψιμο της συσκευής

Καίγοντας τη συσκευή πριν από την πρώτη χρήση, αφαιρείτε τυχόν γράσα που απομένουν από το εργοστάσιο. Προχωρήστε ως εξής:

- 1 Ανάψτε τους κύριους κλιβάνους και ρυθμίστε τα κουμπιά ελέγχου στη θέση HIGH (υψηλή). Ανατρέξτε στην ενότητα “9.2 Άναμμα των κύριων κλιβάνων”.
- 2 Κλείστε το καπάκι και αφήστε τη συσκευή να καίει για 15 λεπτά. Μην τοποθετείτε ακόμη φαγητό στη σχάρα.
- 3 Ύστερα από 15 λεπτά, ανοίξτε το καπάκι και αφήστε τη συσκευή να καίει για ακόμη 5 λεπτά (τα κουμπιά ελέγχου παραμένουν στη θέση HIGH).
- 4 Ύστερα από 5 λεπτά, η συσκευή είναι έτοιμη για χρήση. Τώρα μπορείτε να βάλετε φαγητό στη σχάρα.

9 ΆΝΑΜΜΑ ΤΩΝ ΚΛΙΒΑΝΩΝ

 Για να ανάψετε τους κλιβάνους χρησιμοποιώντας τον ηλεκτρικό αναφλεκτήρα, πρέπει να τοποθετήσετε μια μπαταρία AA στον αναφλεκτήρα. Αυτή η μπαταρία δεν παρέχεται με τη συσκευή. Το διαμέρισμα μπαταρίας του αναφλεκτήρα βρίσκεται στο περίβλημα της συσκευής σας.


9.1 Οδηγίες ασφαλείας

- Προτού ανάψετε τη συσκευή σας, πραγματοποιήστε όλους τους ελέγχους που περιγράφονται στην ενότητα “8 Προετοιμασία της συσκευής για χρήση”.
- Βεβαιωθείτε ότι το καπάκι είναι πάντα ανοιχτό όταν ανάβετε κάποιον κλιβανο.
- Ποτέ μη σκύβετε πάνω από τον κλιβανο την ώρα που τον ανάβετε.

9.2 Άναμμα των κύριων κλιβάνων

9.2.1 ΧΡΗΣΗ ΤΟΥ ΑΝΑΦΛΕΚΤΗΡΑ

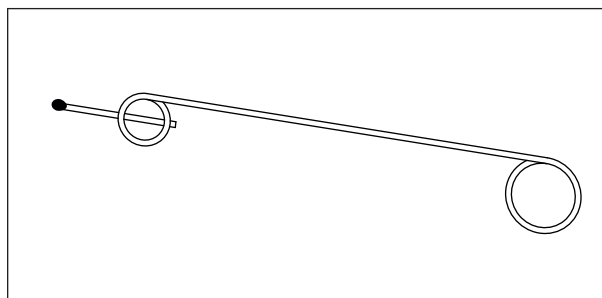
- 1 Ανοίξτε το καπάκι και κλείστε όλα τα κουμπιά ελέγχου των κύριων κλιβάνων (γυρίστε τα στη θέση OFF).
- 2 Εάν δεν υπάρχει αναμμένος κλιβανος ακόμη, ανοίξτε την παροχή αερίου και περιμένετε δέκα δευτερόλεπτα. Αυτό επιτρέπει στο αέριο να σταθεροποιηθεί.
- 3 Πιέστε το κουμπί ελέγχου ενός κλιβάνου, ρυθμίστε το στη θέση HIGH και κρατήστε το πατημένο για λίγο. Ο ενσωματωμένος αναφλεκτήρας δημιουργεί σπίθες οι οποίες θα ανάψουν τον κλιβανο.

 Ανάβετε πάντα έναν κύριο κλιβανο στην αρχή. Ποτέ μην ανάβετε όλους τους κύριους κλιβάνους ταυτόχρονα.

- 4 Εάν ο κλιβανος δεν ανάψει ύστερα από τρεις προσπάθειες, ρυθμίστε το αντίστοιχο κουμπί ελέγχου στη θέση OFF, κλείστε την παροχή αερίου και περιμένετε 5 λεπτά. Αυτό επιτρέπει σε τυχόν συσσωρευμένο αέριο να διαλυθεί.
- 5 Επαναλάβετε το άναμμα του κλιβάνου. Εάν εξακολουθεί να μην ανάβει, δοκιμάστε να τον ανάψετε με ένα σπύρτο ή ανατρέξτε στην ενότητα “14 Αντιμέτωπιση προβλημάτων” για να προσδιορίσετε την αιτία του προβλήματος.

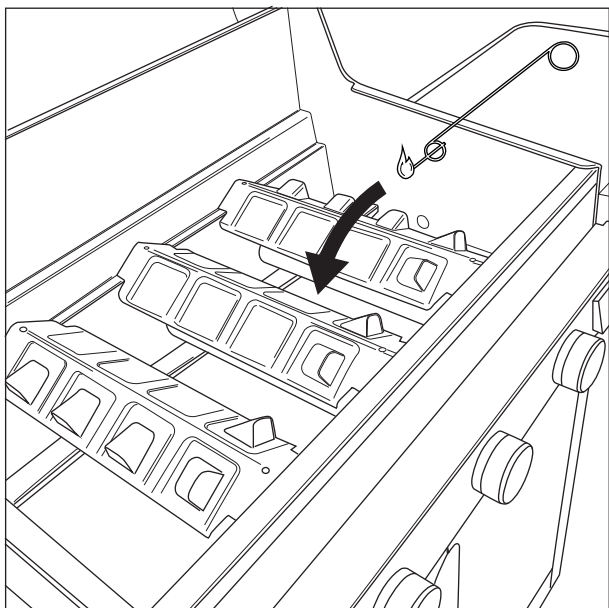
9.2.2 ΧΡΗΣΗ ΣΠΥΡΤΟΥ

- 1 Τοποθετήστε ένα σπύρτο στη λαβή σπύρτου.




- 2 Ανοίξτε το καπάκι και κλείστε όλα τα κουμπιά ελέγχου των κύριων κλιβάνων (γυρίστε τα στη θέση OFF).
- 3 Εάν δεν υπάρχει αναμμένος κλιβανος ακόμη, ανοίξτε την παροχή αερίου και περιμένετε δέκα δευτερόλεπτα. Αυτό επιτρέπει στο αέριο να σταθεροποιηθεί.

- 4 Ανάψτε το σπίρτο και κρατήστε το σε απόσταση περίπου 13mm από τον κλιβανο.




- 5 Ρυθμίστε το κουμπί ελέγχου ενός κλιβάνου στη θέση HIGH.

 Ανάβετε πάντα έναν κύριο κλιβανο στην αρχή. Ποτέ μην ανάβετε όλους τους κύριους κλιβάνους ταυτόχρονα.

- 6 Εάν ο κλιβανος δεν ανάψει μέσα σε 5 δευτερόλεπτα, ρυθμίστε το αντίστοιχο κουμπί ελέγχου στη θέση OFF, κλείστε την παροχή αερίου και περιμένετε 5 λεπτά. Αυτό επιτρέπει σε τυχόν συσσωρευμένο αέριο να διαλυθεί.
- 7 Επαναλάβετε το άναμμα του κλιβάνου. Εάν εξακολουθεί να μην ανάβει, ανατρέξτε στην ενότητα "14 Αντιμετώπιση προβλημάτων" για να προσδιορίσετε την αιτία του προβλήματος.

9.3 Άναμμα του πλαϊνού κλιβάνου

 Ο πλαϊνός κλιβανος μπορεί να αντέξει σκεύη με μέγιστο βάρος 9 kg και μέγιστη διάμετρο 220 mm.

9.3.1 ΧΡΗΣΗ ΤΟΥ ΑΝΑΦΛΕΚΤΗΡΑ

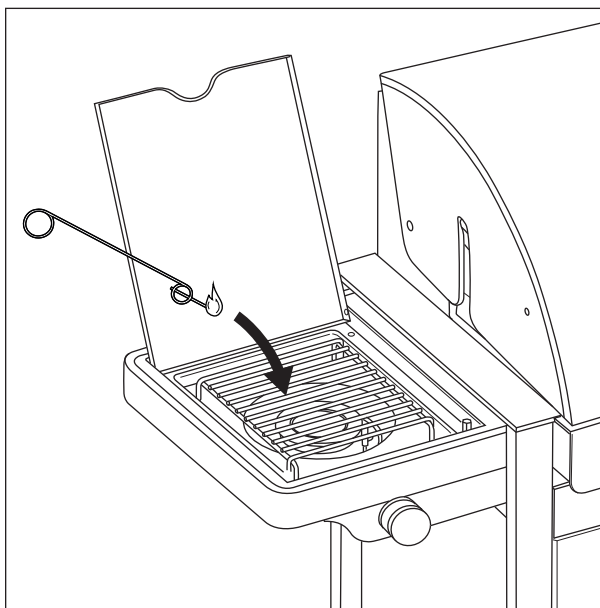
- 1 Ανοίξτε το καπάκι και ρυθμίστε το κουμπί ελέγχου του πλαϊνού κλιβάνου στη θέση OFF.
- 2 Εάν δεν υπάρχει αναμμένος κλιβανος ακόμη, ανοίξτε την παροχή αερίου και περιμένετε δέκα δευτερόλεπτα. Αυτό επιτρέπει στο αέριο να σταθεροποιηθεί.
- 3 Πιέστε το κουμπί ελέγχου του πλαϊνού κλιβάνου, ρυθμίστε το στη θέση HIGH και κρατήστε το πατημένο για λίγο. Ο ενσωματωμένος αναφλεκτήρας δημιουργεί σπίθες οι οποίες θα ανάψουν τον πλαϊνό κλιβανο.
- 4 Εάν ο κλιβανος δεν ανάψει ύστερα από τρεις προσπάθειες, ρυθμίστε το αντίστοιχο κουμπί ελέγχου στη θέση OFF, κλείστε την παροχή αερίου και περιμένετε 5 λεπτά. Αυτό επιτρέπει σε τυχόν συσσωρευμένο αέριο να διαλυθεί.
- 5 Επαναλάβετε το άναμμα του πλαϊνού κλιβάνου. Εάν εξακολουθεί να μην ανάβει, δοκιμάστε να τον ανάψετε με ένα σπίρτο ή ανατρέξτε στην ενότητα "14 Αντιμετώπιση προβλημάτων" για να προσδιορίσετε την αιτία του προβλήματος.

9.3.2 ΧΡΗΣΗ ΣΠΙΡΤΟΥ

- 1 Τοποθετήστε ένα σπίρτο στη λαβή σπίρτου.
- 2 Ανοίξτε το καπάκι και ρυθμίστε το κουμπί ελέγχου του πλαϊνού κλιβάνου στη θέση OFF.

- 3 Εάν δεν υπάρχει αναμμένος κλιβανος ακόμη, ανοίξτε την παροχή αερίου και περιμένετε δέκα δευτερόλεπτα. Αυτό επιτρέπει στο αέριο να σταθεροποιηθεί.

- 4 Ανάψτε το σπίρτο και κρατήστε το σε απόσταση περίπου 13 χιλιοστών από τον πλαϊνό κλιβανο.



- 5 Ρυθμίστε το κουμπί ελέγχου του πλαϊνού κλιβάνου στη θέση HIGH.

- 6 Εάν ο πλαϊνός κλιβανος δεν ανάψει μέσα σε 5 δευτερόλεπτα, ρυθμίστε το αντίστοιχο κουμπί ελέγχου στη θέση OFF, κλείστε την παροχή αερίου και περιμένετε 5 λεπτά. Αυτό επιτρέπει σε τυχόν συσσωρευμένο αέριο να διαλυθεί.

- 7 Επαναλάβετε το άναμμα του πλαϊνού κλιβάνου. Εάν εξακολουθεί να μην ανάβει, ανατρέξτε στην ενότητα "14 Αντιμετώπιση προβλημάτων" για να προσδιορίσετε την αιτία του προβλήματος.

9.4 Σβήσιμο των κλιβάνων

Εάν δεν χρησιμοποιείτε πλέον τους κλιβάνους, πρέπει να τους σβήνετε. Προχωρήστε ως εξής:

- 1 Κλείστε την παροχή αερίου.
- 2 Ρυθμίστε τα κουμπιά ελέγχου των κλιβάνων στη θέση OFF.

 Κλείνοντας πρώτα την παροχή αερίου, διασφαλίζετε ότι

δεν παραμένει αέριο μέσα στη συσκευή.

9.5 Άναμμα των κλιβάνων (εάν σβήσουν)

Εάν ένας κλιβανος σβήσει κατά τη χρήση, προχωρήστε ως εξής:

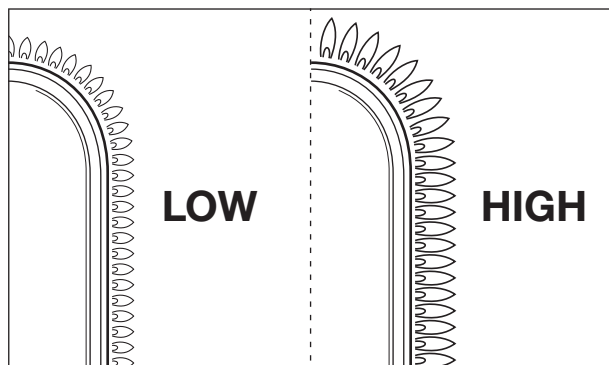
- 1 Ανοίξτε το καπάκι και κλείστε την παροχή αερίου.
- 2 Ρυθμίστε όλα τα κουμπιά ελέγχου στη θέση OFF και περιμένετε 5 λεπτά. Αυτό επιτρέπει σε τυχόν συσσωρευμένο αέριο να διαλυθεί.
- 3 Ανάψτε ξανά τους κλιβάνους.

9.7 Έλεγχος της φλόγας

Κάθε φορά που ανάβετε έναν κλιβανο, πρέπει να ελέγχετε τις φλόγες. Η τέλεια φλόγα είναι σχεδόν ολόκληρη μπλε, με λίγο κίτρινο στην άκρη της. Η σποραδική εμφάνιση κίτρινων φλογών είναι φυσιολογική και ακίνδυνη.

Εάν κάτι δεν πηγαίνει καλά με τις φλόγες, κάντε ένα από τα παρακάτω για να διορθώσετε το πρόβλημα:

Εάν οι φλόγες...	Κάντε το εξής...
Είναι χαμηλές και εντελώς κίτρινες	<ol style="list-style-type: none">1 Κλείστε αμέσως την παροχή αερίου και κλείστε όλους τους διακόπτες (γυρίστε τους στη θέση OFF).2 Ανατρέξτε στην ενότητα "14 Αντιμετώπιση προβλημάτων" για να προσδιορίσετε την αιτία του προβλήματος. Κατά πάσα πιθανότητα, οι σωλήνες Venturi είναι φραγμένοι.
Υπερβαίνουν το ύψος του μπολ.	<ol style="list-style-type: none">1 Κλείστε αμέσως την παροχή αερίου και κλείστε όλους τους διακόπτες (γυρίστε τους στη θέση OFF).2 Περιμένετε 5 λεπτά για να διαφύγει το αέριο που έχει τυχόν συσσωρευτεί.3 Ανάψτε ξανά τους κλιβάνους.4 Εάν το πρόβλημα παραμένει, ανατρέξτε στην ενότητα "14 Αντιμετώπιση προβλημάτων" για να προσδιορίσετε την αιτία του προβλήματος.



10 ΧΡΗΣΙΜΕΣ ΣΥΜΒΟΥΛΕΣ ΚΑΙ ΥΠΟΔΕΙΞΕΙΣ

10.1 Προθέρμανση της συσκευής

Προθερμαίνοντας τη συσκευή σας, εξασφαλίζετε ότι η σχάρα θα καίει αρκετά τη στιγμή που θα τοποθετήσετε το φαγητό.

Προχωρήστε ως εξής:

- 1 Ανάψτε τους κλιβάνους και ρυθμίστε τα κουμπιά ελέγχου στη θέση HIGH (υψηλή).
- 2 Κλείστε το καπάκι και αφήστε τη συσκευή να καίει για δέκα λεπτά.
- 3 Ύστερα από δέκα λεπτά, ανοίξτε το καπάκι και βάλτε το φαγητό στη σχάρα.
- 4 Εάν χρειάζεστε λιγότερη θερμότητα, ρυθμίστε τα κουμπιά ελέγχου σε χαμηλότερη θέση.

10.2 Αποφυγή κολλήματος του φαγητού

Για να αποφύγετε το κόλλημα του φαγητού στη σχάρα:

- Λαδώστε ελαφρώς το φαγητό με ένα πινέλο προτού το τοποθετήσετε στη σχάρα. Μπορείτε επίσης να λαδώσετε την ίδια τη σχάρα.
- Προθερμάνετε τη συσκευή. Όσο πιο ζεστή είναι η σχάρα την ώρα που τοποθετείτε το φαγητό, τόσο λιγότερο πιθανό είναι να κολλήσει επάνω της.
- Μην γυρίζετε το φαγητό πολύ γρήγορα. Αφήστε το πρώτα να ψηθεί λίγο.

10.3 Απευθείας και έμμεσο ψήσιμο

Ανάλογα με τον τύπο του φαγητού και με τον τρόπο που θέλετε να το ετοιμάσετε, μπορείτε να επιλέξετε απευθείας ή έμμεσο ψήσιμο:

Μέθοδος	Περιγραφή	Χρήση
Απευθείας ψήσιμο	Τοποθετήστε το φαγητό απευθείας επάνω σε έναν αναμμένο κλιβανο, βάλτε τον κλιβανο σε υψηλή θέση και αφήστε το καπάκι ανοιχτό.	Για να καψαλίσετε κρέας και λαχανικά
Έμμεσο ψήσιμο	Τοποθετήστε το φαγητό δίπλα σε έναν αναμμένο κλιβανο, βάλτε τον κλιβανο σε μεσαία/χαμηλή θέση και κλείστε το καπάκι.	Για να ψήσετε καψαλισμένο κρέας



Όταν ψήνετε με κλειστό καπάκι, προσέχετε πάντα το θερμόμετρο στο καπάκι για να βεβαιωθείτε ότι η συσκευή δεν θερμαίνεται υπερβολικά. Ανατρέξτε στην ενότητα "10.5 Παρακολούθηση της θερμοκρασίας".

10.4 Ψήσιμο με κλειστό καπάκι

Εάν έχετε το καπάκι κλειστό όταν ψήνετε, έχετε μερικά σημαντικά πλεονεκτήματα:

- Η θερμοκρασία της σχάρας είναι μεγαλύτερη και διατηρείται σταθερή.
- Ο χρόνος ψησίματος μειώνεται και το φαγητό γίνεται πιο ζουμερό.
- Μειώνετε τις απότομες φλόγες και εξοικονομείτε αέριο.



Όταν ψήνετε με κλειστό καπάκι, προσέχετε πάντα το θερμόμετρο στο καπάκι για να βεβαιωθείτε ότι η συσκευή δεν θερμαίνεται υπερβολικά. Ανατρέξτε στην ενότητα "10.5 Παρακολούθηση της θερμοκρασίας".

10.5 Παρακολούθηση της θερμοκρασίας

Η συσκευή σας είναι εφοδιασμένη με ισχυρούς κλιβάνους, συνεπώς θερμαίνεται γρήγορα και μπορείτε να διατηρήσετε τη θερμοκρασία σταθερή. Ωστόσο, όταν ψήνετε με κλειστό καπάκι, πρέπει να φροντίζετε ώστε η συσκευή να μη θερμαίνεται υπερβολικά. Παρακολουθείτε τη θερμοκρασία στο καπάκι και λάβετε υπόψη τα εξής:

- Η κανονική θερμοκρασία ψησίματος είναι περίπου 210 °C. Σε υψηλότερες θερμοκρασίες, το λίπος που πέφτει και συσσωρεύεται μπορεί να πάρει φωτιά.
- Η θερμοκρασία δεν πρέπει ποτέ να υπερβαίνει τους 300 °C για περισσότερο από πέντε λεπτά. Αυτό μπορεί να προκαλέσει βλάβη και παραμόρφωση στη συσκευή.



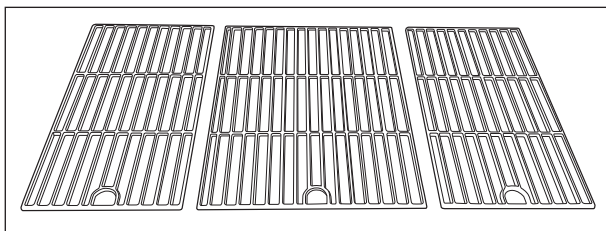
Εάν η συσκευή θερμανθεί υπερβολικά, χαμηλώστε τη θερμοκρασία της ανοίγοντας το καπάκι και βάζοντας τους κλιβάνους σε χαμηλότερη θέση.

10.6 Βέλτιστη χρήση της θερμότητας

Το κεντρικό τμήμα του μπολ είναι πιο ζεστό από τις άκρες του. Για να μπορείτε να αξιοποιήσετε πλήρως το θερμότερο τμήμα του μπολ, η συσκευή είναι εφοδιασμένη με σχάρες διαφορετικών μεγεθών. Περιλαμβάνει:

- Μία μεγάλη σχάρα, η οποία μπορεί να τοποθετηθεί στο κέντρο του μπολ.
- Δύο μικρότερες σχάρες, οι οποίες μπορούν να τοποθετηθούν στις άκρες του μπολ.

Εάν τοποθετήσετε σωστά τις σχάρες στο μπολ και ανάψετε όλους τους κλιβάνους, ολόκληρη η κεντρική σχάρα θα θερμανθεί στο μέγιστο. Με αυτό τον τρόπο, επεκτείνετε το θερμότερο μέρος του μπολ και μπορείτε να αξιοποιήσετε πλήρως την επιφάνεια των σχαρών της συσκευής σας.



10.7 Αξιοποίηση των ζωνών θερμότητας

Όταν είναι αναμμένοι όλοι οι κλιβάνοι, τα καλύμματα κλιβάνων κατανέμουν τη θερμότητα όσο το δυνατό πιο ομοιόμορφα στη σχάρα. Παρ' όλη την ομοιόμορφη κατανομή της θερμότητας, ορισμένες ζώνες εξακολουθούν να είναι θερμότερες από άλλες. Μπορείτε να εκμεταλλευτείτε αυτές τις ζώνες θερμότητας για να ψήσετε τέλεια το φαγητό σας:

Ζώνη	Πόσο ζεστή;	Χρησιμοποιήστε τη για...
Μπροστά	Ζεστή	Ψήσιμο ευαίσθητου φαγητού (γαρίδες, ψάρια κ.λπ.)
Κέντρο	Πιο ζεστή	Προετοιμασία φαγητού που χρειάζεται ώρα για να ψηθεί (π.χ. λουκάνικα, μπουτία κοτόπουλου κ.λπ.)
Πίσω	Πολύ ζεστή	Καψάλισμα κρέατος και λαχανικών



Μπορείτε επίσης να δημιουργήσετε ζώνες θερμότητας μεταβάλλοντας την ισχύ των κλιβάνων. Μπορείτε, για παράδειγμα, να ρυθμίσετε έναν κλιβάνο σε χαμηλή θέση και να χρησιμοποιήσετε τη ζώνη θερμότητας επάνω από εκείνο τον κλιβάνο για να ψήσετε ευαίσθητο φαγητό ή για φαγητό που χρειάζεται αρκετή ώρα για να ψηθεί.

10.8 Πώς να αποφύγετε τις ξαφνικές φλόγες

Κατά το ψήσιμο, είναι πιθανό να εμφανίζονται ξαφνικές φλόγες. Τυχόν μεγάλος αριθμός από ξαφνικές μεγάλες φλόγες αυξάνει τη θερμοκρασία στη συσκευή και μπορεί να προκαλέσει ανάφλεξη συσσωρευμένου λίπους. Για να αποφύγετε τις ξαφνικές φλόγες:

- Βεβαιωθείτε ότι το μπολ είναι καθαρό όταν ξεκινάτε το ψήσιμο. Συνιστούμε να τοποθετείτε νέο Leaf® στο μπολ πριν από κάθε χρήση. Ανατρέξτε στην ενότητα "11.2 Καθαρισμός του μπολ".
- Ελέγχετε τακτικά ώστε να μην φράζει η οπή αποστράγγισης λίπους και να μην γεμίζει ο δίσκος ή το δοχείο συγκέντρωσης λίπους.
- Όταν ψήνετε λιπαρό κρέας, αφαιρέστε το λίπος που περισσεύει, κλείστε το καπάκι και ρυθμίστε τους κλιβάνους σε μεσαία ή χαμηλή θέση.

11 ΣΥΝΤΗΡΗΣΗ ΤΗΣ ΣΥΣΚΕΥΗΣ

11.1 Καθαρισμός της σχάρας

Συνιστούμε να καθαρίζετε τη σχάρα, ύστερα από κάθε χρήση, με το Barbecook cleaner. Προχωρήστε ως εξής:


- 1 Ψεκάστε τον αφρό στη σχάρα και αφήστε τον να δράσει για μερικά λεπτά.
Ο αφρός αλλάζει χρώμα καθώς απορροφά τη βρωμιά και τα λίπη.
- 2 Αφαιρέστε τον αφρό με μαλακό σφουγγάρι και νερό και ξεπλύνετε καλά τη σχάρα.
- 3 Στεγνώστε τη σχάρα και αποθηκεύστε τη σε στεγνό μέρος. Αυτό εμποδίζει το σχηματισμό σκουριάς.

Μπορείτε επίσης να καθαρίσετε τη σχάρα με μαλακό απορρυπαντικό ή με μαγειρική σόδα. Ποτέ μη χρησιμοποιείτε καθαριστικά φούρνου στη σχάρα.



11.2 Καθαρισμός του μπολ

Συνιστούμε να καθαρίζετε το μπολ ύστερα από κάθε χρήση. Ο ευκολότερος τρόπος είναι να τοποθετήσετε ένα Leaf® στο μπολ προτού ξεκινήσετε το ψήσιμο. Το Leaf® είναι ένα φύλλο που προσαρμόζεται τέλεια στο μπολ και κατακρατεί όλα τα ιζήματα και τα λίπη. Όταν η συσκευή κρυώσει, αφαιρέστε απλώς το Leaf® και το μπολ θα είναι καθαρό.

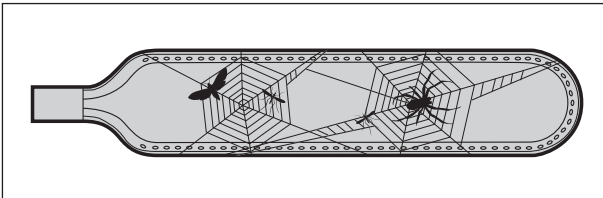
 Δηλώστε τη συσκευή σας στη διεύθυνση www.barbecook.com για να μάθετε ποιον τύπο Leaf® χρειάζεστε.


11.3 Καθαρισμός των κλιβάνων και των σωλήνων Venturi

11.3.1 ΓΙΑΤΙ ΠΡΕΠΕΙ ΝΑ ΚΑΘΑΡΙΖΟΝΤΑΙ ΟΙ ΚΛΙΒΑΝΟΙ ΚΑΙ ΟΙ ΣΩΛΗΝΕΣ VENTURI;

Οι αράχνες και τα έντομα μπορεί να δημιουργήσουν ιστούς και φωλιές στους κλιβάνους και στους σωλήνες Venturi. Αυτό είναι πιθανό να φράξει την παροχή αερίου στους κλιβάνους. Ως αποτέλεσμα:

- Δεν θα μπορείτε να ανάψετε τους κλιβάνους. Εάν καταφέρετε να τους ανάψετε, θα παράγουν μόνο κίτρινες φλόγες και καπνό.
- Το αέριο μπορεί να αρχίσει να καίγεται έξω από τους σωλήνες Venturi, στα κουμπιά ελέγχου. Αυτές οι φλόγες μπορεί να προκαλέσουν σοβαρό τραυματισμό και υλικές ζημιές.



 Ζημιές που προκαλούνται από φραγμένους κλιβάνους και σωλήνες Venturi θεωρούνται ότι οφείλονται σε ανεπαρκή συντήρηση και δεν καλύπτονται από την εγγύηση.

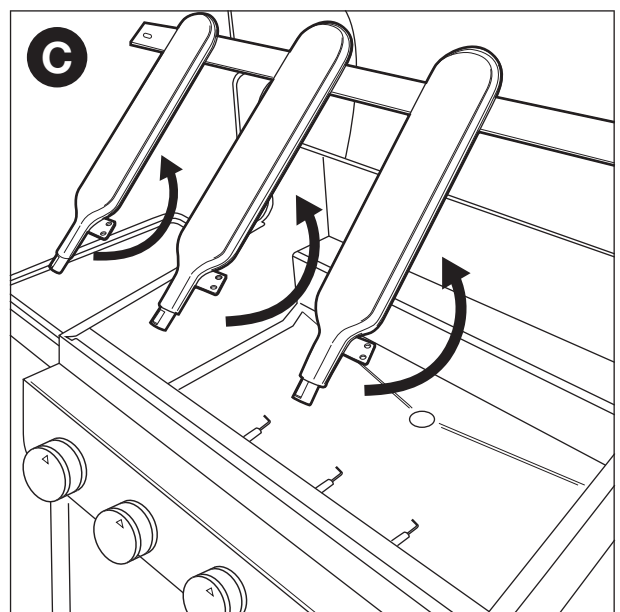
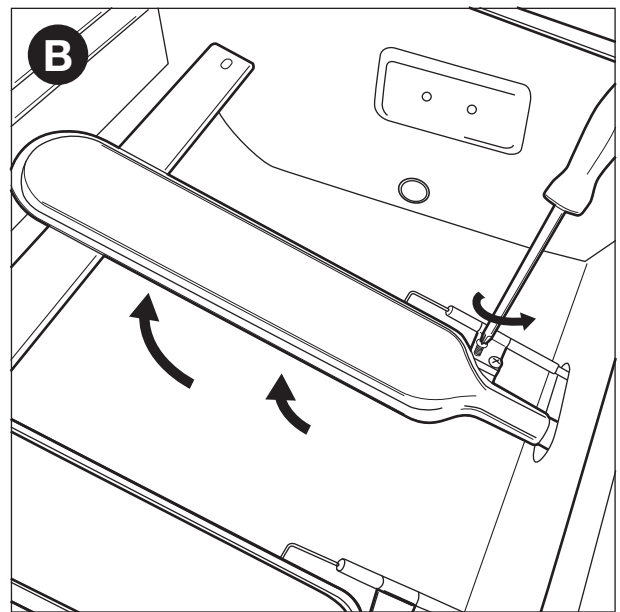
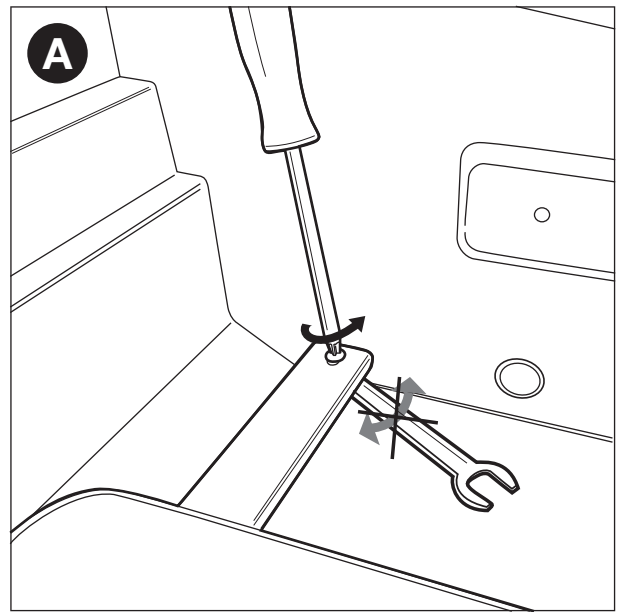
11.3.2 ΠΟΤΕ ΠΡΕΠΕΙ ΝΑ ΚΑΘΑΡΙΖΟΝΤΑΙ ΟΙ ΚΛΙΒΑΝΟΙ ΚΑΙ ΟΙ ΣΩΛΗΝΕΣ VENTURI;

Πρέπει να καθαρίζετε τους κλιβάνους και τους σωλήνες Venturi της συσκευής σας:

- Πριν από την πρώτη χρήση ύστερα από μεγάλο χρονικό διάστημα κατά το οποίο δεν χρησιμοποιούσατε τη συσκευή.
- Τουλάχιστον δύο φορές το χρόνο, τη μία φορά στην αρχή της σεζόν.

11.3.3 ΓΙΑ ΝΑ ΚΑΘΑΡΙΣΕΤΕ ΤΟΥΣ ΚΛΙΒΑΝΟΥΣ ΚΑΙ ΤΟΥΣ ΣΩΛΗΝΕΣ VENTURI

- 1 Αφαιρέστε τους κλιβάνους από τη συσκευή, όπως δείχνει η εικόνα. Εάν παρατηρήσετε βλάβη σε κάποιον από τους κλιβάνους, πρέπει να τον αντικαταστήσετε.





- Καθαρίστε τους κλιβάνους και τους σωλήνες Venturi με μια μικρή βούρτσα ή αυτοσχέδιο καθαριστήρα για πίπες (λεπτό σύρμα, βουρτσάκι για πίπες κ.λπ.).
- Τοποθετήστε τους κλιβάνους ξανά στη θέση τους. Βεβαιωθείτε ότι είναι τοποθετημένοι επάνω από τα ανοίγματα των βαλβίδων αερίου.

11.4 Συντήρηση τμημάτων εμαγιέ, ανοξειδωτού χάλυβα και με επίστρωση και πούδρας

Η συσκευή είναι κατασκευασμένη από τμήματα εμαγιέ, ανοξειδωτού χάλυβα, με επίστρωση και πούδρας. Κάθε υλικό πρέπει να συντηρείται με διαφορετικό τρόπο:

Υλικό	Τρόπος φροντίδας του υλικού
Εμαγιέ	<ul style="list-style-type: none"> Να αποφεύγεται η χρήση αιχμηρών αντικειμένων και τα χτυπήματα σε σκληρές επιφάνειες. Να αποφεύγεται η επαφή με κρύα υγρά όταν είναι ακόμη ζεστό. Μπορείτε να χρησιμοποιήσετε μεταλλικά σφουγγάρια και στιλβωτικά απορρυπαντικά.
Ανοξειδωτός χάλυβας	<ul style="list-style-type: none"> Μη χρησιμοποιείτε σκληρά, στιλβωτικά ή μεταλλικά απορρυπαντικά. Χρησιμοποιήστε μαλακά απορρυπαντικά, τα οποία αφήνετε να δράσουν στο χάλυβα. Χρησιμοποιήστε μαλακό σφουγγάρι ή ύφασμα. Ξεπλύνετε καλά μετά τον καθαρισμό και στεγνώστε καλά πριν από τη φύλαξη.
Επίστρωση πούδρας	<ul style="list-style-type: none"> Μη χρησιμοποιείτε αιχμηρά αντικείμενα. Χρησιμοποιήστε μαλακά απορρυπαντικά και μαλακό σφουγγάρι ή ύφασμα. Ξεπλύνετε καλά μετά τον καθαρισμό και στεγνώστε καλά πριν από τη φύλαξη.

 Για να αποτρέψετε τη δημιουργία σκουριάς στον ανοξειδωτό χάλυβα, αποφεύγετε την επαφή με χλωρίνη, αλάτι και σίδηρο. Συνιστούμε να μη χρησιμοποιείτε τη συσκευή στην παραλία, κοντά σε σιδηροδρομικές γραμμές ή κοντά σε πισίνες.

 Ζημιές που προκαλούνται από αμέλεια τήρησης αυτών των οδηγιών θεωρούνται ανεπαρκής συντήρηση και δεν καλύπτονται από την εγγύηση.

Κάτω από την αναλυτική προβολή της συσκευής σας (δεύτερο μέρος του εγχειριδίου), θα βρείτε μια λίστα με όλα τα εξαρτήματα από τα οποία αποτελείται η συσκευή. Αυτή η λίστα περιλαμβάνει ένα σύμβολο που προσδιορίζει το υλικό κάθε εξαρτήματος, για να γνωρίζετε πώς μπορείτε να συντηρήσετε κάθε συγκεκριμένο εξάρτημα. Η λίστα εξαρτημάτων χρησιμοποιεί τα παρακάτω σύμβολα:

Σύμβολο	Υλικό
●	Εμαγιέ
■	Ανοξειδωτός χάλυβας
★	Επίστρωση πούδρας

11.5 Αποθήκευση της συσκευής

Εάν δεν πρόκειται να χρησιμοποιήσετε τη συσκευή για μεγάλο χρονικό διάστημα, φυλάξτε τη σε στεγνό μέρος. Προτού αποθηκεύσετε τη συσκευή:

- Αποσυνδέστε τη φιάλη αερίου. Ποτέ μην αποθηκεύετε τη συσκευή σε κλειστό χώρο (ακόμη και σε γκαράζ ή υπόστεγο), όσο είναι συνδεδεμένη με τη φιάλη αερίου.
- Καθαρίστε τους κλιβάνους και τις σχάρες, τρίψτε τις με λάδι και τυλίξτε τις σε χαρτί.
- Εάν η συσκευή σας είναι εφοδιασμένη με κλίβανο σούβλας, αφαιρέστε το μηχανισμό της σούβλας και αποθηκεύστε τον σε στεγνό μέρος.
- Καλύψτε τη συσκευή σας με κάλυμμα Barbecue. Δηλώστε τη συσκευή σας στη διεύθυνση www.barbecue.com για να μάθετε ποιο κάλυμμα χρειάζεστε.

11.6 Φύλαξη φιαλών αερίου


Αυτές οι οδηγίες ισχύουν τόσο για τις γεμάτες όσο και για τις κενές φιάλες αερίου.

- Φυλάσσετε πάντα τις φιάλες αερίου εκτός σπιτιού, σε καλά αεριζόμενο χώρο. Βεβαιωθείτε ότι δεν εκτίθενται σε υπερβολική ζέστη ή σε άμεσο ηλιακό φως.
- Ποτέ μην αποθηκεύετε φιάλες αερίου σε μέρος που μπορεί να έχει πολλή ζέστη (αυτοκίνητο, σκάφος κ.λπ.).
- Ποτέ μην φυλάσσετε τη φιάλη αερίου ή ανταλλακτικές φιάλες στο περίβλημα της συσκευής σας.
- Ποτέ μην αποθηκεύετε την ανταλλακτική φιάλη αερίου κοντά σε συσκευή αερίου που είναι σε χρήση.
- Φυλάσσετε πάντα τις φιάλες αερίου μακριά από τα παιδιά.
- Κατά την αποθήκευση και τη μεταφορά φιαλών αερίου, φροντίστε να βρίσκονται πάντα σε όρθια θέση.

11.7 Παραγγελία ανταλλακτικών

Τα εξαρτήματα που εκτίθενται απευθείας στη φωτιά ή σε έντονη θερμότητα πρέπει να αντικαθίστανται κατά διαστήματα. Για να παραγγείλετε ένα ανταλλακτικό:

- Αναζητήστε τον αριθμό αναφοράς του εξαρτήματος που χρειάζεστε. Θα βρείτε μια λίστα με όλους τους αριθμούς αναφοράς κάτω από τις αναπτυγμένες προβολές στο δεύτερο μέρος αυτού του εγχειριδίου, καθώς και στη διεύθυνση www.barbecue.com.

 Εάν έχετε δηλώσει τη συσκευή σας στον ιστότοπό μας, θα οδηγηθείτε αυτόματα στην κατάλληλη λίστα.

- Παραγγείλτε το ανταλλακτικό στο σημείο πώλησης. Μπορείτε να παραγγείλετε εξαρτήματα τόσο εντός όσο και εκτός εγγύησης.

12 ΕΓΓΥΗΣΗ

12.1 Τι καλύπτεται

Η συσκευή σας συνοδεύεται από εγγύηση δύο ετών, ξεκινώντας από την ημερομηνία αγοράς. Αυτή η εγγύηση καλύπτει όλα τα σφάλματα κατασκευής, με την προϋπόθεση ότι:

- Χρησιμοποιήσατε, συναρμολογήσατε και συντηρήσατε τη συσκευή σύμφωνα με τις οδηγίες αυτού του εγχειριδίου. Οι ζημιές που προκλήθηκαν από κακή χρήση, εσφαλμένη συναρμολόγηση ή ανεπαρκή συντήρηση δεν αποτελούν σφάλματα κατασκευής.
- Μπορείτε να προσκομίσετε την απόδειξη και τον μοναδικό αριθμό σειράς της συσκευής σας. Ο αριθμός σειράς ξεκινά

με το γράμμα G και ακολουθείται από 15 ψηφία. Μπορείτε να τον βρείτε:

- Σε αυτό το εγχειρίδιο και στο πακέτο μέσα στο οποίο υπήρχε το εγχειρίδιο.
 - Στη συσκευασία της συσκευής.
 - Στην ετικέτα τύπου στο εσωτερικό της θύρας του περιβλήματος.
- Το τμήμα ποιότητας Barbecook επιβεβαιώνει ότι τα εξαρτήματα είναι ελαττωματικά και ότι αποδείχτηκαν ελαττωματικά σε συνθήκες κανονικής χρήσης, σωστής συναρμολόγησης και επαρκούς συντήρησης.

Εάν κάποια από τις παραπάνω προϋποθέσεις δεν ικανοποιείται, δεν μπορείτε να προβάλετε καμιά αξίωση. Σε κάθε περίπτωση, η εγγύηση περιορίζεται στην επισκευή ή στην αντικατάσταση των ελαττωματικών εξαρτημάτων.

12.2 Τι δεν καλύπτεται

Οι παρακάτω ζημιές και ελαττώματα δεν καλύπτονται από την εγγύηση:

- Φυσιολογική φθορά (σκουριά, παραμόρφωση, αποχρωματισμός κλπ.) εξαρτημάτων που εκτίθενται απευθείας στη φωτιά ή σε έντονη θερμότητα. Είναι φυσιολογικό αυτά τα εξαρτήματα να αντικαθίστανται κατά διαστήματα.
- Οπτικές διαφορές που σχετίζονται με τη διαδικασία κατασκευής. Αυτές οι διαφορές δεν θεωρούνται σφάλματα κατασκευής.
- Όλες οι φθορές που προκαλούνται από ανεπαρκή συντήρηση, εσφαλμένη αποθήκευση, κακή συναρμολόγηση ή τροποποιήσεις σε προσυναρμολογημένα εξαρτήματα.
- Όλες οι φθορές που προκαλούνται από κακή χρήση της συσκευής (μη τήρηση των οδηγιών αυτού του εγχειριδίου, χρήση για εμπορικούς σκοπούς κλπ.).
- Όλες οι συνεπαγόμενες φθορές που προκαλούνται από απροσεξία ή μη συμβατή χρήση της συσκευής.
- Σκουριά ή αποχρωματισμός που προκαλείται από εξωτερικούς παράγοντες, χρήση σκληρών απορρυπαντικών, έκθεση σε χλώριο κλπ. Τέτοιες φθορές δεν θεωρούνται σφάλματα κατασκευής.

13 ΤΕΧΝΙΚΈΣ ΠΡΟΔΙΑΓΡΑΦΈΣ

13.1 Ετικέτα τύπου

Η ετικέτα τύπου εμφανίζει όλες τις τεχνικές προδιαγραφές της συσκευής σας. Μπορείτε να τον βρείτε:

- Στο δεύτερο μέρος αυτού του εγχειριδίου.
- Στο εσωτερικό της θυρίδας του περιβλήματος.

13.2 Διάμετροι μπεκ

- Κύριος κλίβανος: 0,991 mm
- Πλευρικός κλίβανος: 0,88 mm

14 ΑΝΤΙΜΕΤΩΠΙΣΗ ΠΡΟΒΛΗΜΑΤΩΝ

Πρόβλημα	Πιθανές αιτίες	Λύσεις
Δεν υπάρχει αρκετή θερμότητα	<ul style="list-style-type: none"> • Η παροχή αερίου δεν είναι ανοιχτή • Οι σωλήνες Venturi δεν είναι τοποθετημένοι επάνω από τα ανοίγματα των βαλβίδων αερίου • Τα ανοίγματα των κλιβάνων είναι φραγμένα • Η φιάλη αερίου είναι (σχεδόν) άδεια • Ο ρυθμιστής πίεσης δεν είναι συνδεδεμένος σωστά στη φιάλη ή/και στον αγωγό 	<ul style="list-style-type: none"> • Ανοίξτε την παροχή αερίου • Τοποθετήστε τους σωλήνες Venturi επάνω από τα ανοίγματα των βαλβίδων αερίου • Καθαρίστε τα ανοίγματα των κλιβάνων ή αντικαταστήστε τους κλιβάνους • Αντικαταστήστε τη φιάλη αερίου • Επανασυνδέστε το ρυθμιστή πίεσης στη φιάλη ή/και στον αγωγό
Υπερβολική θερμότητα ή/και ξαφνικές απότομες φλόγες	<ul style="list-style-type: none"> • Το φαγητό έχει πολύ λίπος • Η οπή αποστράγγισης λίπους έχει φράξει, υπάρχει λίπος στο μπολ ή/και στους κλιβάνους • Τα καλύμματα κλιβάνων δεν είναι σωστά τοποθετημένα • Η θερμοκρασία είναι πάρα πολύ υψηλή 	<ul style="list-style-type: none"> • Αφαιρέστε το λίπος που περισσεύει και ρυθμίστε τους κλιβάνους σε χαμηλή θέση • Καθαρίστε την οπή αποστράγγισης λίπους, το μπολ και τους κλιβάνους • Τοποθετήστε σωστά τα καλύμματα των κλιβάνων • Ρυθμίστε τους κλιβάνους σε χαμηλότερη θερμοκρασία ή/και ψήστε το φαγητό έμμεσα (χωρίς απευθείας επαφή με τον κλίβανο)
Η θερμότητα δεν κατανέμεται ομοιόμορφα στην επιφάνεια της σχάρας	<p>Ως ένα βαθμό, οι διαφορές θερμότητας είναι φυσιολογικές. Ανατρέξτε στις ενότητες “11.6 Βέλτιστη χρήση της θερμότητας” και “11.7 Αξιοποίηση των ζωνών θερμότητας”. Πιθανές αιτίες για μεγάλες διαφορές θερμότητας:</p> <ul style="list-style-type: none"> • Τα καλύμματα κλιβάνων δεν είναι σωστά τοποθετημένα • Η συσκευή δεν έχει προθερμανθεί 	<ul style="list-style-type: none"> • Τοποθετήστε σωστά τα καλύμματα των κλιβάνων • Προθερμάνετε τη συσκευή
Κίτρινες φλόγες	<ul style="list-style-type: none"> • Οι κλιβανοί ή οι σωλήνες Venturi έχουν μπλοκαριστεί • Έχει πέσει αλάτι στους κλιβάνους • Η συσκευή είναι συνδεδεμένη με φιάλη βουτανίου 	<ul style="list-style-type: none"> • Καθαρίστε τους κλιβάνους και τους σωλήνες Venturi • Καθαρίστε τους κλιβάνους • Συνδέστε τη συσκευή με φιάλη προπανίου, χρησιμοποιώντας κατάλληλο ρυθμιστή πίεσης
Ατελής φλόγα	Ο κλίβανος έχει φράξει ή τρυπήσει ή σκουριάσει	Καθαρίστε ή αντικαταστήστε τον κλίβανο
Φλόγες έξω από τους σωλήνες Venturi ή στα κουμπιά ελέγχου	Οι κλιβανοί ή οι σωλήνες Venturi έχουν μπλοκαριστεί	<ol style="list-style-type: none"> 1 Κλείστε την παροχή αερίου και ρυθμίστε τους κλιβάνους στη θέση OFF. 2 Αφήστε τη συσκευή να κρυώσει. 3 Καθαρίστε τους κλιβάνους και τους σωλήνες Venturi.
Υπάρχουν φλόγες που ξεπερνούν το ύψος του μπολ	<ul style="list-style-type: none"> • Φυσάει πολύ • Η φιάλη αερίου είναι (σχεδόν) άδεια • Υπάρχει λίπος στο μπολ ή/και στους κλιβάνους 	<ul style="list-style-type: none"> • Τοποθετήστε τη συσκευή με την πίσω πλευρά στραμμένη προς τον άνεμο • Αντικαταστήστε τη φιάλη αερίου • Καθαρίστε το μπολ, καθαρίστε τους κλιβάνους και αντικαταστήστε το Leaf®
Ο ρυθμιστής πίεσης παράγει μακρόσυρτο ήχο	<ul style="list-style-type: none"> • Ο καιρός είναι ζεστός • Νέα (γεμάτη) φιάλη αερίου 	Δεν υπάρχει κίνδυνος ή σφάλμα. Ο ήχος κανονικά θα σταματήσει ύστερα από λίγο.
Ακούγεται συριγμός όταν ο κλίβανος ρυθμίζεται στη χαμηλή θέση	Υπάρχει βρωμιά στο μπεκ αερίου, στους σωλήνες Venturi ή/και στον κλίβανο	Καθαρίστε το μπεκ αερίου, τους σωλήνες Venturi και τον κλίβανο
Δεν είναι δυνατό το άναμμα του κλιβάνου (με χρήση είτε αναφλεκτήρα είτε σπέρτου)	<ul style="list-style-type: none"> • Ο κλίβανος ή οι σωλήνες Venturi έχουν φράξει • Δεν υπάρχει παροχή αερίου 	<ul style="list-style-type: none"> • Καθαρίστε τον κλίβανο και τους σωλήνες Venturi • Ανοίξτε την παροχή αερίου και πιέστε το κουμπί ασφαλείας στο ρυθμιστή πίεσης (δεν διατίθεται σε όλους τους ρυθμιστές)

Πρόβλημα	Πιθανές αιτίες	Λύσεις
Δεν είναι δυνατό το άναμμα του κλιβάνου με τον αναφλεκτήρα	<ul style="list-style-type: none"> • Δεν έχει τοποθετηθεί μπαταρία ή η μπαταρία δεν έχει τοποθετηθεί σωστά • Ο αναφλεκτήρας δεν έχει συνδεθεί σωστά • Το ηλεκτρόδιο έχει καταστραφεί • Ελαττωματική γείωση • Ελαττωματικός αναφλεκτήρας 	<ul style="list-style-type: none"> • Τοποθετήστε ξανά την μπαταρία, με τους πόλους τοποθετημένους σωστά • Ελέγξτε και συναρμολογήστε ξανά όλες τις συνδέσεις του αναφλεκτήρα • Αντικαταστήστε το ηλεκτρόδιο • Ελέγξτε και συναρμολογήστε ξανά τα ηλεκτρόδια, τους κλιβάνους και τον αναφλεκτήρα • Αντικαταστήστε τον αναφλεκτήρα
Κατά το πάτημα του αναφλεκτήρα δεν παράγονται σπίθες ούτε ακούγεται ήχος	<ul style="list-style-type: none"> • Δεν έχει τοποθετηθεί μπαταρία ή η μπαταρία δεν έχει τοποθετηθεί σωστά • Η μπαταρία είναι άδεια • Το κουμπί του αναφλεκτήρα δεν είναι συναρμολογημένο σωστά • Ελαττωματική γεννήτρια σπινθήρων 	<ul style="list-style-type: none"> • Τοποθετήστε ξανά την μπαταρία, με τους πόλους τοποθετημένους σωστά • Αντικαταστήστε την μπαταρία • Συναρμολογήστε ξανά το κουμπί του αναφλεκτήρα • Αντικαταστήστε τη γεννήτρια σπινθήρων
Κατά το πάτημα του αναφλεκτήρα ακούγεται μόνο ήχος (δεν παράγονται σπίθες)	<ul style="list-style-type: none"> • Ελαττωματική γείωση • Υπάρχει μεγάλη απόσταση ανάμεσα στον κλιβάνο και το ηλεκτρόδιο 	<ul style="list-style-type: none"> • Συνδέστε ξανά τη γεννήτρια σπινθήρων και τα ηλεκτρόδια • Λυγίστε ελαφρά το ηλεκτρόδιο για να το φέρετε πιο κοντά στον κλιβάνο
Εμφανίζονται σπίθες που δεν προέρχονται από τους κλιβάνους	Ελαττωματική σύνδεση καλωδίων	Αντικαταστήστε τα καλώδια
Εμφανίζονται σπίθες, αλλά όχι σε όλα τα ηλεκτρόδια ή/και οι σπίθες δεν είναι αρκετά ισχυρές	<ul style="list-style-type: none"> • Ελαττωματική γείωση • Χαμηλή μπαταρία • Βρεγμένα ή σπασμένα ηλεκτρόδια 	<ul style="list-style-type: none"> • Συνδέστε ξανά τη γεννήτρια σπινθήρων και τα ηλεκτρόδια • Αντικαταστήστε την μπαταρία • Στεγνώστε τα ηλεκτρόδια με χαρτοπετσέτες ή αντικαταστήστε τα ηλεκτρόδια

SK – NÁVOD NA POUŽÍVANIE

1	Zaregistrujte si svoj výrobok	250	10	Užitočné tipy	256
2	O tejto príručke	250		• Predhrievanie grilu.....	256
3	Dôležité bezpečnostné pokyny	250		• Zabránenie prilepeniu jedla	256
	• Prečítajte si a dodržiavajte pokyny	250		• Priame a nepriame grilovanie	257
	• Pri manipulácii s plynom buďte opatrní	250		• Grilovanie so zavretým vekom	257
	• Zvoľte vhodné umiestnenie	250		• Sledovanie teploty.....	257
	• Používajte zdravý úsudok.....	250		• Optimálne využitie tepla	257
4	Opakujúce sa výrazy	250		• Pred prvým použitím (po dlhšej dobe)	257
	• Venturiho trubice	250		• Ako sa vyhnúť vzplanutiu	257
	• Kryty horákov	251	11	Údržba grilu.....	258
	• Smalt	251		• Čistenie grilovacieho roštu	258
	• Vzplanutia	251		• Čistenie misy	258
5	Zostavenie grilu	251		• Čistenie horákov a Venturiho trubíc	258
	• Bezpečnostné pokyny	251		• Údržba smaltovaných, a lakovaných častí a častí z nehrdzavejúcej ocele.....	258
	• Zostavenie grilu	251		• Uskladnenie grilu.....	258
6	Pripojenie plynu do spotrebiča	251		• Skladovanie plynových fliaš	258
	• Akú plynovú fľašu, hadicu a regulátor použiť	251		• Objednávanie náhradných dielov	259
	• Bezpečnostné pokyny	252	12	Záruka	259
	• Pripojenie hadice k regulátoru tlaku	252		• Vzťahuje sa	259
	• Pripojenie hadice a fľaše k regulátoru	252		• Záruka sa nevzťahuje na nasledovné	260
	• Výmena fľaše	253	13	Technické údaje	260
7	Kontrola úniku plynu	253		• Typový štítok	260
	• Prečo je potrebné kontrolovať únik plynu.....	253		• Priemery trysiek.....	260
	• Kedy je potrebné vykonať kontrolu úniku	253	14	Riešenie problémov	261
	• Bezpečnostné pokyny	253			
	• Čo potrebujete.....	253			
	• Kontrola úniku plynu.....	253			
	• Čo robiť v prípade úniku plynu	254			
8	Príprava zariadenia na použitie	254			
	• Pred každým použitím	254			
	• Pred prvým použitím (po dlhšej dobe).....	254			
	• Pred prvým použitím (po dlhšej dobe).....	254			
9	Zapaľovanie horákov	254			
	• Bezpečnostné pokyny	254			
	• Zapálenie hlavných horákov	255			
	• Zapálenie pomocného horáka.....	255			
	• Zhasnutie horákov	256			
	• Opätovné zapálenie horákov	256			
	• Kontrola plameňa	256			

1 ZAREGISTRUJTE SI SVOJ VÝROBOK

Ďakujeme, že ste si kúpili výrobok Barbecook! Sme si istí, že vám prinesie mnoho príjemných chvíľ pri grilovaní.

Aby ste dosiahli čo najoptimálnejšie výsledky, zaregistrujte si svoj gril na stránke www.barbecook.com. Trvá to len pár minút, no prináša množstvo výhod:

- Získate prístup k vašim osobným popredajným službám. To vám umožní, napríklad, rýchlo nájsť náhradné diely pre váš výrobok alebo využívať záručné služby.
- Môžeme vás tiež informovať o zaujímavých produktoch a nasmerovať vás k produktovým informáciám a technickým údajom, ktoré sa vzťahujú na váš produkt.



Ďalšie informácie o registrácii vášho výrobku nájdete na stránke www.barbecook.com.



Barbecook rešpektuje vaše súkromie. Vaše údaje nebudú predávané, distribuované ani zdieľané so žiadnymi tretími stranami.

2 O TEJTO PRÍRUČKE

Túto príručku tvoria dve časti:

- Prvá časť je tá, ktorú práve čítate. Obsahuje pokyny na montáž, používanie a údržbu vášho grilu.
- Druhá časť sa začína na strane 379. Obsahuje nákresy spotrebiča (zvýraznené diagramy, montážne nákresy, typové štítky), ktoré sú opísané v tejto príručke.

3 DÔLEŽITÉ BEZPEČNOSTNÉ POKYNY

3.1 Prečítajte si a dodržiavajte pokyny

Pred používaním grilu si prečítajte návod na používanie. Vždy starostlivo dodržiavajte pokyny. Nesprávne zmontovanie alebo používanie výrobku môže mať za následok vznik požiaru alebo materiálne škody.



Škody spôsobené nedodržaním týchto pokynov (nesprávna montáž, použitie, údržba...) nie sú kryté zárukou.

3.2 Pri manipulácii s plynom buďte opatrní

Práca s plynom je úplne bezpečná, ale vyžaduje extra opatrnosť:

- Plynové fľaše skladujte vždy vo vonkajšom, dobre vetranom prostredí. Dbajte na to, aby neboli vystavené nadmernému teplu alebo priamemu slnku.
- Nikdy neskladujte plynové fľaše (ani náhradné) v úložnom priestore spotrebiča.
- Pri používaní grilu vložte fľašu do stojana na kolieskach na boku spotrebiča.
- Nikdy neskladujte náhradné plynové fľaše v blízkosti spotrebiča, ktorý je v prevádzke.
- Po skončení používania grilu zatvorte prívod z plynovej fľaše.
- Nikdy nefajčíte v blízkosti plynového spotrebiča, ktorý sa práve používa, ani v blízkosti plynovej fľaše (plnej či prázdnej).



Ak cítite plyn, okamžite zatvorte prívod plynu, zahaste všetky plamene a otvorte veko spotrebiča. Ak zápach pretrváva, privolajte dodávateľa plynu alebo hasičov.

3.3 Zvoľte vhodné umiestnenie

Výrobok používajte iba vo vonkajšom prostredí. Používanie výrobku vo vnútri, dokonca aj v garáži či kólni môže mať za následok otravu oxidom uhľnatým.

Pri používaní vonku dodržujte nasledovné:

- Výrobok umiestnite do vzdialenosti najmenej 3 m od akejkoľvek budovy, do otvoreného a dobre vetraného priestoru.
- Uistite sa, že k horákom a prieduchom v kryte výrobku je za každých okolností zabezpečené voľné prúdenie vzduchu.
- Výrobok neumiestňujte pod presahujúce konštrukcie (na verandu, pod prístrešok...) alebo pod strom.
- Výrobok položte na pevný a stabilný povrch. Nikdy ho neumiestňujte na pohyblivý dopravný prostriedok (loď, prívies...).

3.4 Používajte zdravý úsudok

Pri práci s grilom používajte zdravý úsudok:

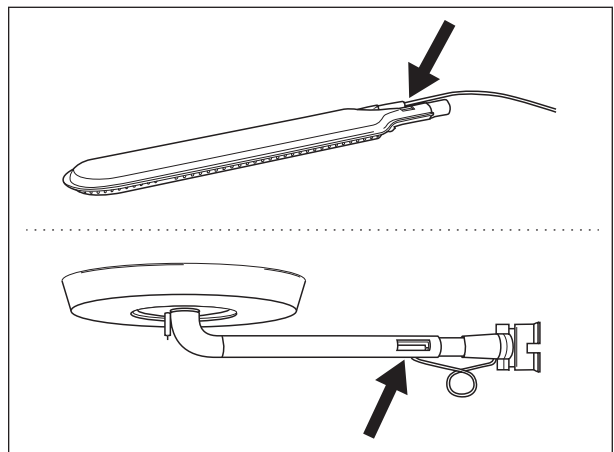
- Gril používajte iba vo vonkajšom prostredí.
- Gril počas používania nepresúvajte.
- Počas používania nenechávajte gril bez dozoru, najmä v prítomnosti detí a zvierat.
- **VÝSTRAHA!** Niektoré ľahko dostupné časti grilu môžu byť veľmi horúce. Udržujte malé deti mimo spotrebiča.
- Pri manipulácii s horúcimi dielmi (veko, mriežka...) používajte vhodné ochranné prostriedky.
- Spotrebič musíte počas používania udržiavať mimo horľavých materiálov.
- Udržujte horľavé materiály, kvapaliny a rozpustné predmety mimo grilu, keď sa používa.
- V plynovom spotrebiči nespájajte drevo, uhlie, lávové kamene ani keramické brikety.
- Nepoužívajte spotrebič, pokiaľ ste konzumovali alkohol, drogy alebo lieky.
- Spotrebič neupravujte.

4 OPAKUJÚCE SA VÝRAZY

Táto časť obsahuje definície menej známych výrazov. Tieto výrazy sú použité vo viacerých kapitolách tohto návodu.

4.1 Venturiho trubice

Venturiho trubice sú malé rúrky pripevnené k vstupu do horákov. Na boku Venturiho trubice je malá dierka. Tá je viditeľná na hlavnom horáku a na pomocnom horáku:



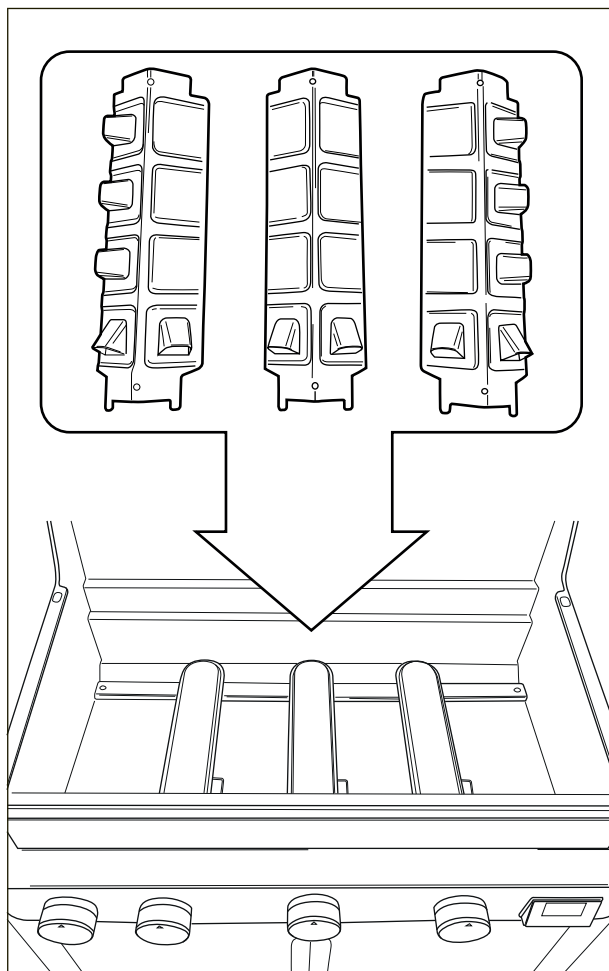
Keď plyn prúdi k horákom, prechádza cez Venturiho trubice. Vďaka dierkam na boku rúrok sa plyn zmieša so vzduchom a teda kyslíkom. To je potrebné na správne zapálenie horákov: iba správna zmes plynu a kyslíka umožňuje správne zapálenie horákov s pekným plameňom.

4.2 Kryty horákov

Kryty horákov sa montujú nad horáky grilu. Chránia horáky pred kvapkajúcim tukom a hrajú kľúčovú úlohu v systéme Turbo Heating System. Postranné otvory so strieškou rozvádzajú teplo v grile, vďaka čomu sa grill zohreje rýchlejšie a rovnomernejšie.



Pri zostavovaní grilu venujte krytom horákov mimoriadnu pozornosť. Systém Turbo Heating System bude fungovať správne iba vtedy, keď bude každý kryt namontovaný nad správnym horákom.



4.3 Smalt

Niektoré diely grilu sú pokryté vrstvou sklenej glazúry nazývanej smalt. Smalt chráni podkladový kov pred koróziou. Smalt je vysokokvalitný materiál: je odolný voči korózii, nebledne pri pôsobení vysokých teplôt a ponúka veľmi ľahkú údržbu.



Pretože smalt je menej flexibilný než kov, ktorý pokrýva, pri nesprávnej manipulácii sa môže smalt odlupovať. Aby ste sa vyhli problému, pri montáži povrchovo upravených dielov buďte opatrní a smalt ošetrte tak, ako je opísané ďalej v tejto príručke.

4.4 Vzplanutia

Vzbĺknutie je náhle vyšľahnutie plameňa z grilu počas grilovania. Spôsobuje ho obvykle kvapkajúci tuk alebo marináda.

5 ZOSTAVENIE GRILU

5.1 Bezpečnostné pokyny

- Pri montáži výrobok nijako neupravujte. Je veľmi nebezpečné a zakázané upravovať akékoľvek diely, ktoré boli zmontované alebo zvarené vo výrobe.
- Vždy starostlivo dodržiavajte montážne pokyny.
- Používateľ je zodpovedný za správne zmontovanie výrobku. Škody spôsobené nesprávnou montážou nie sú kryté zárukou.

5.2 Zostavenie grilu

Budete potrebovať krížový skrutkovač, plochý skrutkovač a batériu veľkosti AA (elektrický zapalovač). Ak je grill vybavený bočným horákom, budete potrebovať aj dve batérie veľkosti D (pohon bočného horáka). Batérie nie sú súčasťou balenia.

- 1 Zariadenie položte na rovný a čistý povrch.
- 2 Grill zostavte podľa priložených nákresov. Nákresy nájdete v druhej časti tohto návodu, za zvýrazneným popisom zariadenia.



Pri montáži smaltovaných dielov dávajte pozor. Náradie a skrutky môžu poškodiť smaltovaný povrch. Vždy používajte dodané tkaninové podložky, ktoré zabránia poškodeniu smaltu v okolí skrutkových spojov.



Balenie môže obsahovať viac skrutiek, než je potrebné. Po zostavení grilu vám môžu nejaké skrutky zostať.

6 PRIPOJENIE PLYNU DO SPOTREBIČA

6.1 Akú plynovú fľašu, hadicu a regulátor použiť

Pred pripojením plynu k spotrebiču si musíte zakúpiť plynovú fľašu, hadicu a regulátor tlaku. Vždy kupujte výrobky, ktoré vyhovujú štátnej norme. Druh plynu a menovitý tlak plynu musí vyhovovať údajom uvedeným na spotrebiči.

V tabuľke nájdete informácie o tom, akú fľašu, hadicu a regulátor je potrebné použiť. Napríklad, v Belgicku (BE) je potrebné použiť fľašu s propánom a hadicu s regulátorom na tlak 37 mbar, alebo fľašu s butánom a hadicu s regulátorom na tlak 28 – 30 mbar.

Krajina	Plynová fľaša, hadica a regulátor
DK, GR, NO, SE, EE, LT, LV, CZ, PL, MT, HU, SI, SK	Propán, 30 mbar/bután, 30 mbar
ES, GB, IE, PT, BE, FR, LU, IT	Propán, 37 mbar/bután, 28 – 30 mbar
NL	Propán, 30 alebo 50 mbar/bután, 30 mbar
CY	Propán, 30 alebo 37 mbar/bután, 28 – 30 mbar



Odporúčame používať propán. Propán poskytuje vyššiu kvalitu spaľovania a je menej citlivý na mráz.



Regulátor tlaku a plynovú fľašu kupujte spolu. Niektoré regulátory nepasujú na niektoré fľaše.


6.2 Bezpečnostné pokyny

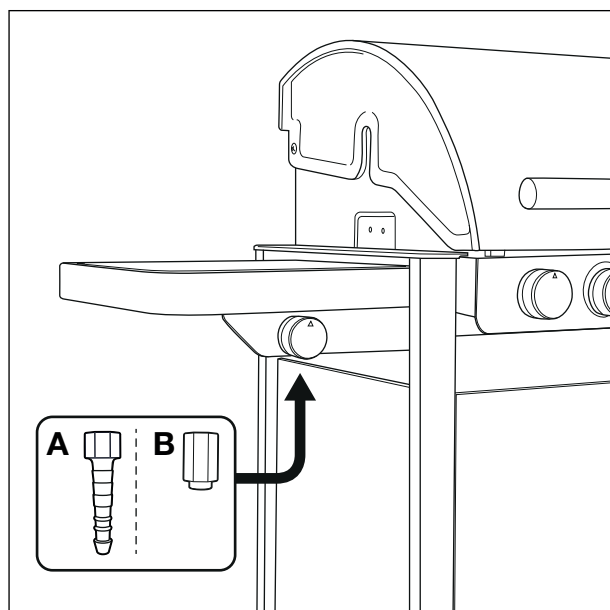
- Nikdy nepripájajte plynovú fľašu priamo k spotrebiču. Na plynovú fľašu je vždy potrebné najsť namontovať regulátor tlaku.
- Nikdy neupravujte vopred zostavené alebo utesnené časti plynovej fľaše, hadice alebo regulátora tlaku.
- Hadicu sa snažte zachovať čo najkratšiu (max. 500 - 650 mm), aby sa zabránilo jej ťahaníu po zemi.
- Pri pripájaní fľaše, hadice a regulátora tlaku:
 - Nepoškodte hadicu.
 - Vždy držte fľašu vo vzpriamenej polohe.
 - Nikdy neotvárajte prívod plynu.
- Pri akejkoľvek zmene plynovej prípojky vždy skontrolujte tesnosť systému. Pozrite kapitolu "7 Kontrola úniku plynu".

6.3 Pripojenie hadice k regulátoru tlaku

Na pripojenie plynovej hadice k spotrebiču je potrebné na prívodnú rúrku grilu namontovať spojku. Gril sa dodáva s dvomi druhmi spojok pre jednotlivé krajiny:

Krajina	Spojka
BE, CH, CZ, DK, ES, FI, GB, IE, IT, PT, SI	Spojka typu A
FR	Spojka typu B

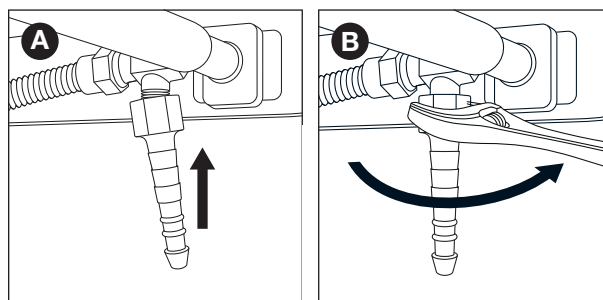
 Ak sa v tabuľke nenachádza vaša krajina, použite spojku, ktorá vyhovuje normám vo vašej krajine.



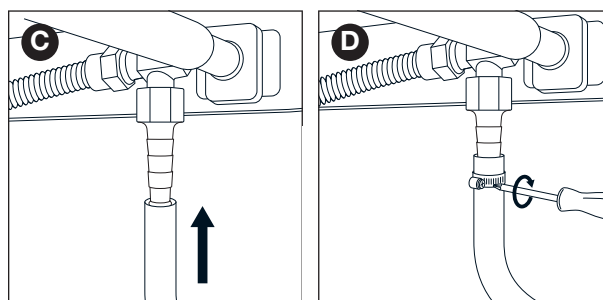
6.3.1 SPOJKA TYPU A

Budete potrebovať 19mm vidlicový kľúč a krížový skrutkovač.

- 1 Naskrutkujte spojku na plynovú hadicu spotrebiča (A) a dotiahnite pomocou 19mm vidlicového kľúča (B).



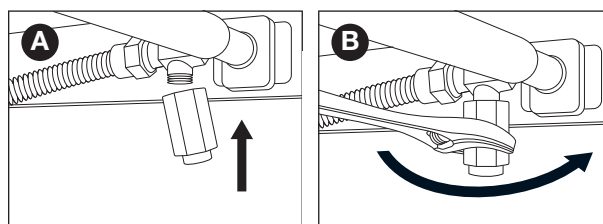
- 2 Nasuňte hadicu na spojku (C) a dotiahnite eskapásku pomocou krížového skrutkovača (D).



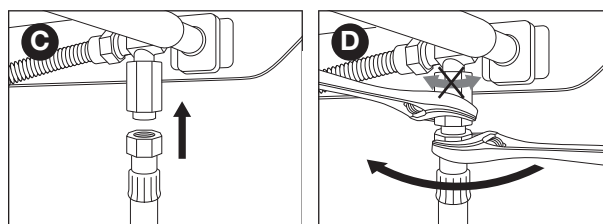
6.3.2 SPOJKA TYPU B

Budete potrebovať 22mm vidlicový kľúč a francúzsky kľúč.

- 1 Naskrutkujte spojku na plynovú hadicu spotrebiča (A) a dotiahnite pomocou 22mm vidlicového kľúča (B).



- 2 Naskrutkujte plynovú hadicu na spojku (C) a dotiahnite pomocou dvoch kľúčov. Pridržte spojku 22mm kľúčom a hadicu otáčajte pomocou francúzskeho kľúča (D).

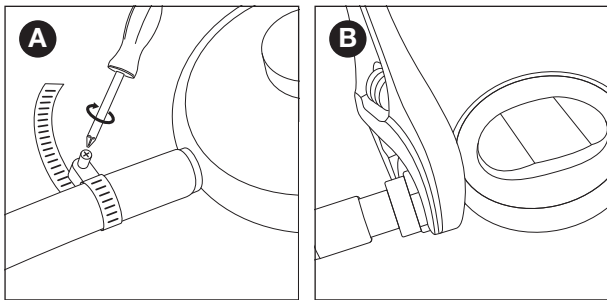


6.4 Pripojenie hadice a fľaše k regulátoru

V závislosti od použitého regulátora tlaku budete potrebovať krížový skrutkovač alebo francúzsky kľúč.

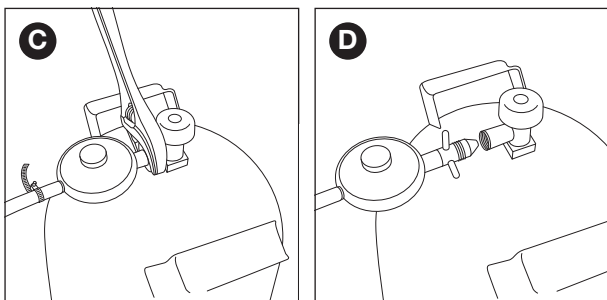
- 1 Pripojte hadicu k regulátoru tlaku. Vykonajte jednu z nasledujúcich činností:
 - Ak je hadica vybavené eskapáskou, nasuňte hadicu na regulátor a dotiahnite eskapásku pomocou krížového skrutkovača (A).

- Ak je hadica vybavená maticou, priskrutkujte ju k regulátoru a dotiahnite pomocou francúzskeho kľúča (B).



2 Pripojte regulátor tlaku k plynovej fľaši. Vykonajte jednu z nasledujúcich činností:

- Ak je regulátor vybavený maticou, priskrutkujte ho v smere hodinových ručičiek k fľaši a dotiahnite pomocou francúzskeho kľúča (C).
- Ak je regulátor vybavený hlavnicou so závitom, naskrutkujte regulátor proti smeru hodinových ručičiek na fľašu (D).



6.5 Výmena fľaše

- 1 Zatvorte prívod plynu a všetky ventily otočte do polohy OFF.
- 2 Odpojte prázdnu fľašu a pripojte plnú.
- 3 Skontrolujte fľašu, hadicu a všetky spoje, či nedochádza k úniku plynu. Pozrite kapitolu "7 Kontrola úniku plynu".

7 KONTROLA ÚNIKU PLYNU

7.1 Prečo je potrebné kontrolovať únik plynu

Propán a bután sú ťažšie než vzduch. Následkom toho, pokiaľ dôjde k úniku, plyn sa nerozptýli v ovzduší. Unikajúci plyn sa môže najmä v bezvetří zhromaždiť v okolí grilu. Takto zhromaždený plyn sa môžu vznietiť a vybuchnúť.

7.2 Kedy je potrebné vykonať kontrolu úniku

- Pred prvým použitím alebo po dlhšom čase nepoužívania.



Kontrolu úniku plynu vykonajte aj v prípade, že bol gril zostavený u predajcu.

- Pri každej výmene plynových komponentov.
- Najmenej raz za rok, najlepšie na začiatku sezóny.

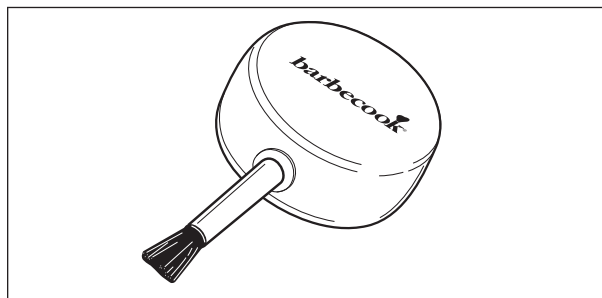
7.3 Bezpečnostné pokyny

- Gril umiestnite do vonkajšieho prostredia na dobre vetrané miesto. Dbajte na to, aby sa v okolí grilu nenachádzal zdroj otvoreného ohňa alebo zdroje tepla.
- Únik plynu nikdy nekontrolujte pomocou zapaľovača alebo zápaličiek.
- Pri kontrole úniku plynu nefajčite ani nezapaľujte horáky.

7.4 Čo potrebujete

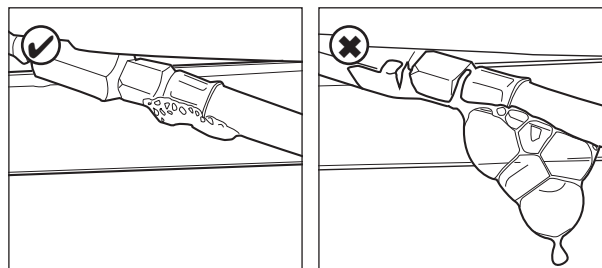
Na kontrolu úniku plynu potrebujete nasledovné:

- Kontrolnú tekutinu. Môžete použiť pripravený sprej na kontrolu únikov alebo roztok vody (50 %) a mydla alebo saponátu na umývanie riadu (50 %).
- Testovací nástroj (balónik) dodaný s vaším grilom. Pomocou balónika nasajte kontrolnú tekutinu a aplikujte ju na plynové komponenty alebo spoje, ktoré chcete skontrolovať.



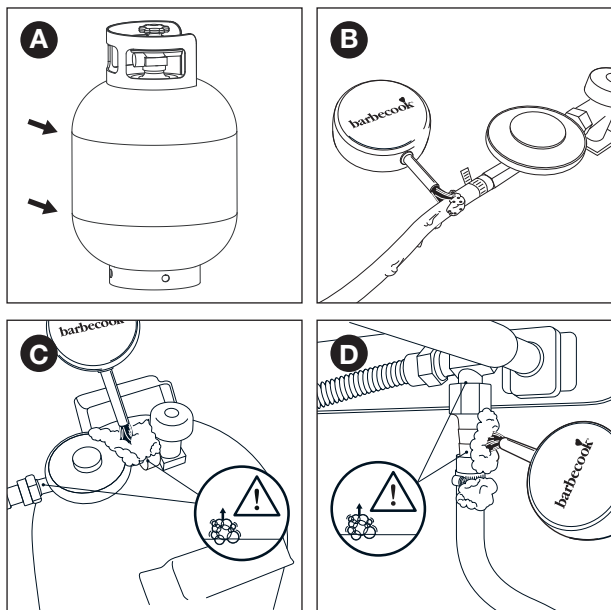
7.5 Kontrola úniku plynu

Kontrolu úniku plynu vykonajte aplikovaním kontrolnej tekutiny (mydlovej vody) na všetky plynové komponenty a spoje. Ak sa bubliny na niektorom komponente alebo spoji zväčšujú, dochádza k úniku:



Pri kontrole úniku postupujte nasledovne:

- 1 Spotrebič umiestnite do vonkajšieho prostredia.
- 2 Pripravte si nástroj na kontrolu úniku a kontrolnú tekutinu (sprej na zistenie úniku plynu alebo mydlovú vodu).
- 3 Otvorte veko a všetky ventily nastavte do polohy OFF.
- 4 Miernu otvorte prívod plynu. Ventil na plynovej fľaši otočte iba o jednu otáčku.
- 5 Nasajte do testovacieho balónika trochu kontrolnej tekutiny a aplikujte na miesto, ktoré chcete skontrolovať. Je potrebné skontrolovať:
 - Zvary na plynovej fľaši (A)
 - Hadicu (B)
 - Spoje medzi plynovou fľašou a regulátorom tlaku a medzi regulátorom tlaku a hadicou (C)
 - Spoj medzi hadicou a grilom (D)



i Váš regulátor tlaku a spojka sa môžu líšiť od tých, ktoré sú na ilustrácii.

- 6 Vykonajte jednu z nasledujúcich činností:
- Ak zistíte únik, pokračujte podľa postupu v kapitole “Čo robiť v prípade úniku plynu”.
 - Ak nedochádza k žiadnemu úniku, zatvorte prívod plynu, dôkladne opláchnite všetky komponenty vodou a utrite.

7.6 Čo robiť v prípade úniku plynu

- 1 Zatvorte prívod plynu a vykonajte nasledovné:
 - Ak zistíte únik plynu na jednom zo spojov, spoj dotiahnite.
 - Ak zistíte únik plynu na hadici alebo fľaši, hadicu alebo fľašu vymeňte.
- 2 Znovu skontrolujte spoj alebo komponent, kde ste zistili únik.
- 3 Ak únik pretrváva, kontaktujte predajcu Barbecue. Kým nebude únik opravený, spotrebič nepoužívajte.

i Zoznam okolitých predajcov Barbecue nájdete na stránke www.barbecue.com.

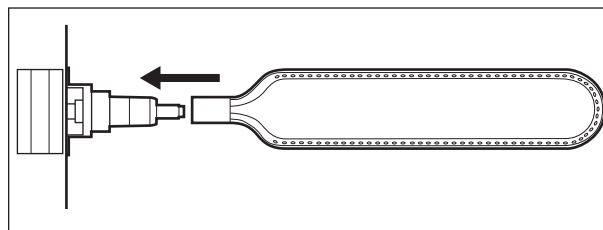
8 PRÍPRAVA ZARIADENIA NA POUŽITIE

8.1 Pred každým použitím

Pri každom použití spotrebiča skontrolujte nasledovné:

- Či je spotrebič umiestnený na vhodnom mieste. Pozrite kapitolu “3.3 Zvoľte vhodné umiestnenie”.
- Či sa plynová hadica neľahá po zemi a nemôže prísť do styku s horúcimi povrchmi alebo kvapkajúcim tukom.
- Či je misa čistá. Pred každým použitím odporúčame do misy vložiť novú fóliu Leaf®. Pozrite kapitolu “11.2 Čistenie misy”.
- Či nie sú horáky a Venturiho trubice upchaté hmyzom alebo pavučinami. Pozrite kapitolu “11.3 Čistenie horákov a Venturiho trubíc”.
- Či je spotrebič správne zostavený. Zvláštnu pozornosť venujte nasledovnému:

- Kryty horákov. Každý kryt musí byť namontovaný nad správnym horákom. Pozrite kapitolu “4.2 Kryty horákov”.
- Venturiho trubice horákov. Musia byť umiestnené nad otvormi plynových ventilov.



i Ak si chcete byť absolútne istí, či je plynová prípojka v poriadku, pred každým použitím odporúčame skontrolovať, či neuniká plyn. Pozrite kapitolu “7 Kontrola úniku plynu”.

8.2 Pred prvým použitím (po dlhšej dobe)

Ak sa chystáte použiť spotrebič prvýkrát alebo po dlhšej dobe, je potrebné vykonať dodatočnú kontrolu niektorých vecí:

- Uistite sa, že ste si prečítali všetky pokyny v tejto príručke, porozumeli im a vykonali potrebnú kontrolu (len pred prvým použitím).
- Skontrolujte, či zo spotrebiča neuniká plyn. Pozrite kapitolu “7 Kontrola úniku plynu”.



Kontrolu úniku plynu vykonajte aj v prípade, že bol gril zostavený u predajcu.

- Vyčistite horáky a Venturiho trubice (len pred prvým použitím po dlhšej dobe). Pozrite kapitolu “12.3 Čistenie horákov a Venturiho trubíc”.
- Pred vložením potravín do grilu nechajte gril zabehnúť (len pred prvým použitím). Pozrite kapitolu “8.3 Zabehnutie spotrebiča”.

8.3 Zabehnutie spotrebiča

Zabehnutím spotrebiča pred prvým použitím sa spotrebič zbaví zvyšnej mastnoty z výrobného procesu. Postupujte nasledovne:

- 1 Zapáľte hlavné horáky a nastavte ich na vysoký výkon (HIGH). Pozrite kapitolu “9.2 Zapálenie hlavných horákov”.
- 2 Zatvorte veko a nechajte gril horieť 15 minút. Na gril ešte nedávajte jedlo.
- 3 Po 15 minútach otvorte veko a nechajte gril horieť ďalších 5 minút (s nastaveným vysokým výkonom – HIGH).
- 4 Po 5 minútach je gril pripravený na používanie. Teraz naň môžete položiť jedlo.

9 ZAPAĽOVANIE HORÁKOV

i Ak chcete horáky zapáľovať pomocou elektrického zapáľovača, musíte do zapáľovača vložiť jednu batériu veľkosti AA. Batérie nie sú súčasťou dodávky. Puzdro na batériu zapáľovača nájdete vo vnútri úložného priestoru grilu.


9.1 Bezpečnostné pokyny

- Pred zapálením grilu vykonajte všetky bezpečnostné kontroly uvedené v kapitole “8 Príprava zariadenia na použitie”.
- Pri zapáľovaní grilu musí byť veko vždy otvorené.
- Pri zapáľovaní horáka sa nikdy neskláňajte priamo nad horák.

9.2 Zapálenie hlavných horákov

9.2.1 POMOCOU ZAPALOVAČA

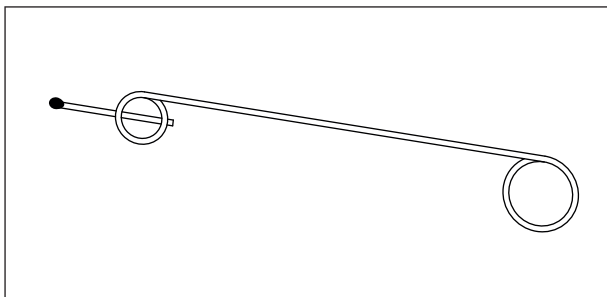
- 1 Otvorte veko a všetky ventily hlavných horákov nastavte do polohy OFF.
- 2 Ak ešte nie je zapálený žiadny iný horák, otvorte prívod plynu a počkajte 10 sekúnd. Tým sa plyn stabilizuje.
- 3 Stlačte ovládač jedného horáka, nastavte ho do polohy HIGH a chvíľu podržte. Vstavaný zapalovač vygeneruje iskry, ktoré horák zapália.

 Na začiatok vždy zapáľte jeden hlavný horák. Nikdy nezapaľujte všetky hlavné horáky súčasne.

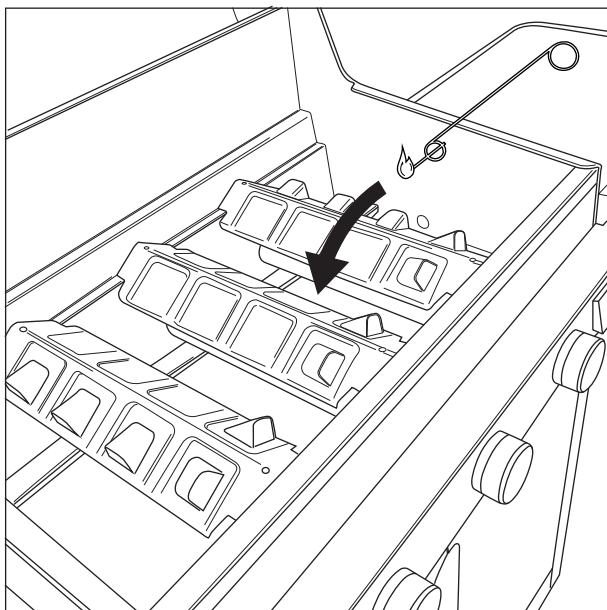
- 4 Ak sa horák nezapáli ani po 3 pokusoch, nastavte ovládač do polohy OFF, zatvorte prívod plynu a počkajte 5 minút. Tým unikne nahromadený plyn.
- 5 Skúste znovu zapáliť horák. Ak sa horák znovu nepodarí zapáliť, skúste ho zapáliť zápalkou alebo si prečítajte kapitolu "14 Riešenie problémov", kde zistíte príčinu problému.

9.2.2 POMOCOU ZÁPALKY


- 1 Vložte zápalku do držiaka.



- 2 Otvorte veko a všetky ventily hlavných horákov nastavte do polohy OFF.
- 3 Ak ešte nie je zapálený žiadny iný horák, otvorte prívod plynu a počkajte 10 sekúnd. Tým sa plyn stabilizuje.
- 4 Zapáľte zápalku a pridržte ju vo vzdialenosti približne 13 mm od horáka.




- 5 Nastavte ovládač horáka do polohy HIGH.

 Na začiatok vždy zapáľte jeden hlavný horák. Nikdy nezapaľujte všetky hlavné horáky súčasne.

- 6 Ak sa horák nezapáli do 5 sekúnd, nastavte ovládač do polohy OFF, zatvorte prívod plynu a počkajte 5 minút. Tým unikne nahromadený plyn.
- 7 Skúste znovu zapáliť horák. Ak sa horák znovu nepodarí zapáliť, prečítajte si kapitolu "14 Riešenie problémov", kde zistíte príčinu problému.

9.3 Zapálenie pomocného horáka

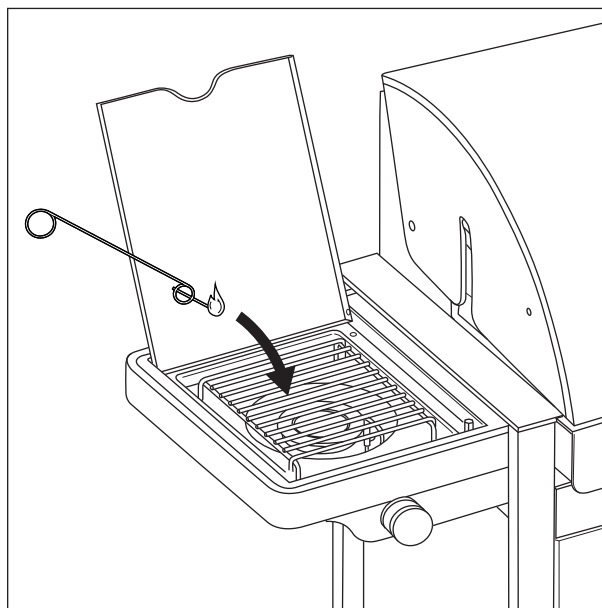
 Bočný horák unesie iba nádoby s maximálnou hmotnosťou 9 kg a priemerom max. 220 mm.

9.3.1 POMOCOU ZAPALOVAČA

- 1 Otvorte veko a ventil pomocného horáka nastavte do polohy OFF.
- 2 Ak ešte nie je zapálený žiadny iný horák, otvorte prívod plynu a počkajte 10 sekúnd. Tým sa plyn stabilizuje.
- 3 Stlačte ovládač pomocného horáka, nastavte ho do polohy HIGH a chvíľu podržte. Vstavaný zapalovač vygeneruje iskry, ktoré horák zapália.
- 4 Ak sa horák nezapáli ani po 3 pokusoch, nastavte ovládač do polohy OFF, zatvorte prívod plynu a počkajte 5 minút. Tým unikne nahromadený plyn.
- 5 Skúste znovu zapáliť pomocný horák. Ak sa horák znovu nepodarí zapáliť, skúste ho zapáliť zápalkou alebo si prečítajte kapitolu "14 Riešenie problémov", kde zistíte príčinu problému.

9.3.2 POMOCOU ZÁPALKY

- 1 Vložte zápalku do držiaka.
- 2 Otvorte veko a ventil pomocného horáka nastavte do polohy OFF.
- 3 Ak ešte nie je zapálený žiadny iný horák, otvorte prívod plynu a počkajte 10 sekúnd. Tým sa plyn stabilizuje.
- 4 Zapáľte zápalku a pridržte ju vo vzdialenosti približne 13 mm od pomocného horáka.



- 5 Nastavte ovládač pomocného horáka do polohy HIGH.
- 6 Ak sa pomocný horák nezapáli do 5 sekúnd, nastavte ovládač do polohy OFF, zatvorte prívod plynu a počkajte 5 minút. Tým unikne nahromadený plyn.
- 7 Skúste znovu zapáliť pomocný horák. Ak sa horák znovu nepodarí zapáliť, prečítajte si kapitolu "14 Riešenie problémov", kde zistíte príčinu problému.

9.4 Zhasnutie horákov

Ak už horáky nepoužívate, zhasnite ich. Postupujte nasledovne:

- 1 Zatvorte prívod plynu.
- 2 Nastavte ovládače horákov do polohy OFF.



Tým, že najskôr uzavriete prívod plynu, sa zabezpečí, že v spotrebiči nezostane žiadny plyn.

9.5 Opätovné zapálenie horákov

Ak horák počas grilovania zhasne, postupujte nasledovne:

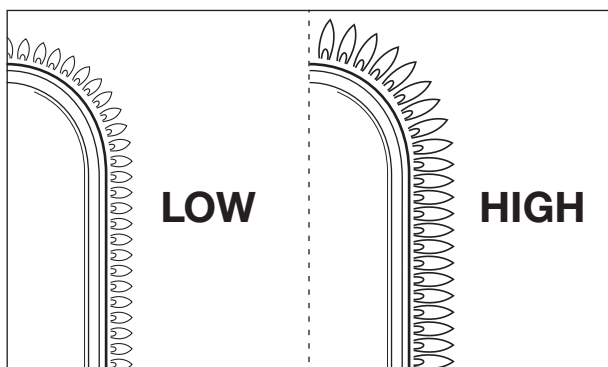
- 1 Otvorte veko a zatvorte prívod plynu.
- 2 Nastavte všetky ventily do polohy OFF a počkajte 5 minút.
Tým unikne nahromadený plyn.
- 3 Znovu zapáľte horák(y).

9.6 Kontrola plameňa

Pri každom zapálení horáka je potrebné skontrolovať plameň. Ideálny plameň je takmer úplne modrý s malou žltou špičkou. Sporadický výskyt žltých plamienkov je normálny a nepredstavuje problém.

Ak plamene nie sú v poriadku, na vyriešenie problému postupujte nasledovne:

Ak je plameň...	Vykonajte nasledovné...
Nízky a celý žltý	<ol style="list-style-type: none">1 Okamžite zatvorte prívod plynu a všetky ventily otočte do polohy OFF.2 Prečítajte si kapitolu "14 Riešenie problémov", kde zistíte príčinu problému. S najväčšou pravdepodobnosťou sú upchaté Venturiho trubice.
Prevyšuje misu grilu	<ol style="list-style-type: none">1 Okamžite zatvorte prívod plynu a všetky ventily otočte do polohy OFF.2 Počkajte 5 minút, kým unikne všetok naakumulovaný plyn.3 Znovu zapáľte horák(y).4 Ak problém pretrváva, prečítajte si kapitolu "14 Riešenie problémov", kde zistíte príčinu problému.



10 UŽITOČNÉ TIPY

10.1 Predhrievanie grilu

Predhriatím grilu sa zabezpečí, že gril bude dostatočne horúci, keď naň položíte jedlo. Postupujte nasledovne:

- 1 Zapáľte hlavné horák(y) a nastavte ich na vysoký výkon (HIGH).
- 2 Zatvorte veko a nechajte gril horieť desať minút.
- 3 Po desiatich minútach otvorte veko a položte na gril jedlo.
- 4 Ak potrebujete menej tepla, nastavte horáky pomocou regulátorov na nižší výkon.

10.2 Zabránenie prilepeniu jedla


Aby ste zabránili prilepeniu jedla ku grilu:

- Pred položením jedla na gril potrite jedlo jemne olejom. Môžete tiež natrieť olejom samotný gril.
- Gril predhrejte. Čím teplejší bude gril, keď naň položíte jedlo, tým menej sa bude jedlo lepiť.
- Neotáčajte jedlo príliš skoro. Nechajte ho najskôr trochu opiecť.

10.3 Priame a nepriame grilovanie

V závislosti od druhu pripravovaného jedla a požadovaného postupu môžete grilovať priamo alebo nepriamo:


Spôsob	Popis	Využitie
Priame grilovanie	Pokrm umiestnite priamo nad zapálený horák, ten nastavte na vysoký výkon a nechajte veko otvorené.	Opekanie mäsa a zeleniny
Nepriame grilovanie	Pokrm umiestnite do blízkosti zapáleného horáka, ten nastavte na stredný alebo nízky výkon a zatvorte veko.	Ďalšia tepelná úprava opečeného mäsa

 Pri grilovaní pod uzavretým vekom pravidelne kontrolujte teplomer na veku, aby sa zabránilo nadmernému prehriatiu spotrebiča. Pozrite kapitolu "10.5 Sledovanie teploty".

10.4 Grilovanie so zavretým vekom

Zatvorenie veka počas grilovania má určité dôležité výhody:


- Teplota v grile je vyššia a konštantnejšia.
- Skráti sa čas prípravy a jedlo bude šťavnatejšie.
- Znížite riziko vzplanutia a ušetríte plyn.

 Pri grilovaní pod uzavretým vekom pravidelne kontrolujte teplomer na veku, aby sa zabránilo nadmernému prehriatiu spotrebiča. Pozrite kapitolu "10.5 Sledovanie teploty".

10.5 Sledovanie teploty

Váš gril je vybavený výkonnými horákmi, takže sa rýchlo rozohreje a dokáže udržiavať stabilnú teplotu. Pri grilovaní pod zatvoreným vekom však musíte dbať na to, aby sa gril nadmerne neprehrial. Sledujte teplomer na veku grilu a vezmite do úvahy nasledujúce fakty:

- Normálna teplota prípravy jedla je približne 210 °C. Pri vyšších teplotách sa môže kvapkajúci a nahromadený tuk vznietiť.
- Teplota nikdy nesmie presiahnuť 300 °C na viac ako 5 minút. Mohlo by dôjsť k poškodeniu a deformácii spotrebiča.

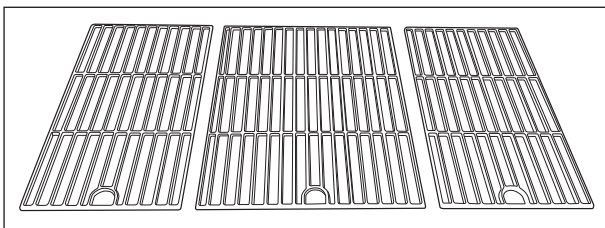
 Ak sa gril nadmerne prehreje, ochladte tak, že otvoríte veko a horáky nastavíte na nižší výkon.

10.6 Optimálne využitie tepla

Stredná časť grilu je najteplejšia. Aby ste využili úplný potenciál najteplejšej časti, je spotrebič vybavený mriežkami rôznej veľkosti. Súčasťou balenia sú takéto mriežky:

- Jedna veľká mriežka určená do stredu grilu.
- Dve menšie mriežky určené do bočných častí grilu.


Ak mriežky umiestnite do správnej polohy a zapálite všetky horáky, celá stredná mriežka sa rozohreje na maximum. Tým sa najhorúcejšia časť grilu rozšíri a vy môžete optimálne využiť celý povrch grilu.



10.7 Využívanie tepelných zón

Keď sú všetky horáky zapálené, kryty horákov rozvádzajú teplo rovnomerne po celom grile. Napriek rovnomernému rozvádzaniu tepla sú niektoré časti o niečo teplejšie než iné. Tieto teplejšie zóny môžete využiť na dosiahnutie dokonalosti jedla:

Zóna	Horúca?	Využitie
Predná	Teplá	Grilovanie jemných pokrmov (krevety, ryby...)
Stredná	Teplejšia	Príprava jedál, ktoré vyžadujú určitý čas (klobásy, kuracie kúsky...)
Zadná	Najteplejšia	Opečenie mäsa a zeleniny

 Tepelné zóny tiež môžete vytvárať pomocou rôznych nastavení horákov. Môžete napríklad nastaviť jeden horák na nižší výkon a zónu nad daným horákom využiť na príprave jemnejších pokrmov alebo pokrmov, ktoré vyžadujú dlhšiu tepelnú úpravu.

10.8 Ako sa vyhnúť vzplanutiu

Počas grilovania môže dôjsť niekoľkokrát k vzplanutiu plameňa. To je normálne. Avšak príliš časté vzplanutie plameňa zvyšuje teplotu vo vnútri grilu a môže spôsobiť vznietenie nahromadeného tuku. Ako sa vyhnúť vzplanutiu:


- Uistite sa, že pred začatím grilovania je gril čistý. Pred každým použitím odporúčame do misy vložiť novú fóliu Leaf®. Pozrite kapitolu "11.2 Čistenie misy".
- Pravidelne kontrolujte, či nie je upchatý otvor na odtekanie tuku a či nádoba na zachytenie tuku nie je plná.
- Pri grilovaní tučných druhov mäsa odrežte nadmerné množstvo tuku a grilujte na strednom alebo nízkom výkone so zatvoreným vekom.

11 ÚDRŽBA GRILU

11.1 Čistenie grilovacieho roštu


Grilovací rošt odporúčame čistiť po každom použití pomocou prostriedku Barbecue cleaner. Postupujte nasledovne:

- 1 Nastriekajte penu na rošt a nechajte chvíľu pôsobiť.
Pena zmení farbu, čo značí, že do seba vsiakla nečistoty a masť.
- 2 Odstráňte penu pomocou mäkkej špongie a vody a rošt dôkladne opláchnite.
- 3 Rošt dôkladne vysušte a odložte na suché miesto. Tým sa zabráni tvorbe korózie.

 Rošt tiež môžete vyčistiť pomocou jemného saponátu alebo sódy bikarbóny. Na rošt nepoužívajte čističe určené na rúry na pečenie.

11.2 Čistenie misy

Odporúčame gril vyčistiť po každom použití. Najjednoduchší spôsob je vloženie fólie Leaf® do misy pred začatím grilovania. Leaf® je fólia, ktorá presne pasuje do misy a zachytí tuk a všetky zvyšky pokrmov. Keď spotrebič vychladne, stačí vybrať fóliu Leaf® a misa zostane čistá.

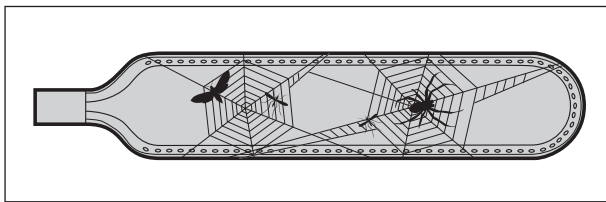
 Zaregistrujte si svoj gril na stránke www.barbecue.com, kde nájdete informácie o tom, ktorú Leaf® fóliu potrebujete.


11.3 Čistenie horákov a Venturiho trubíc

11.3.1 PREČO JE POTREBNÉ ČISTIŤ HORÁKY A VENTURIHO TRUBICE

V horákoch alebo Venturiho trubiciach si môže hmyz vytvoriť hniezdo alebo pavúky pavučinu. To môže brániť prúdeniu plynu do horákov. Následok:

- Horáky sa nebudú dať zapáliť. Ak sa vám ich aj podarí zapáliť, plameň bude dymieť a horieť nežito.
- Plyn môže tiež začať horieť mimo Venturiho trubice, pri otočných ovládačoch. Tento druh plameňa sa nazýva spätný ráz a môže mať za následok vážne zranenie alebo škody na majetku.



 Škody spôsobené upchatými horákmi a Venturiho trubicami sa považujú za nesprávnu údržbu a nie sú kryté zárukou.

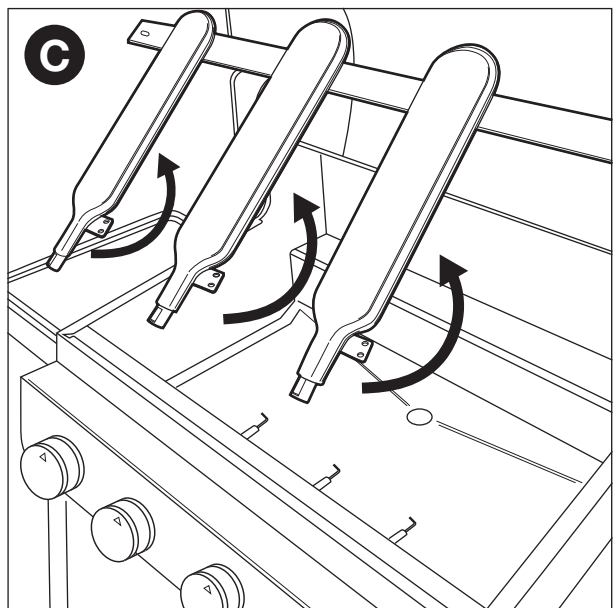
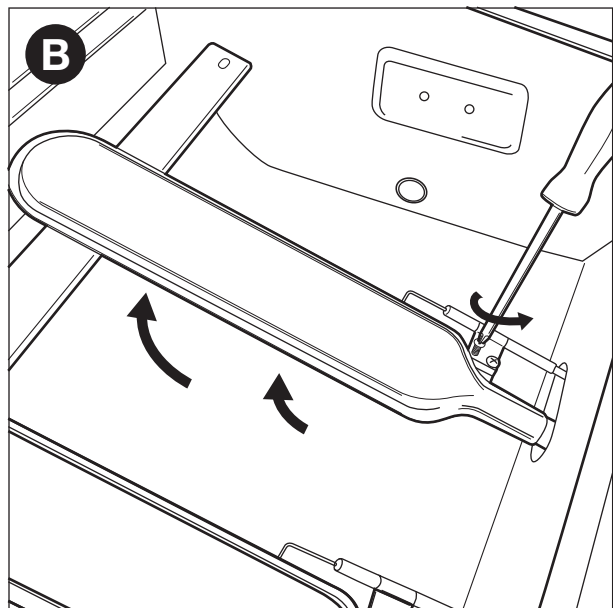
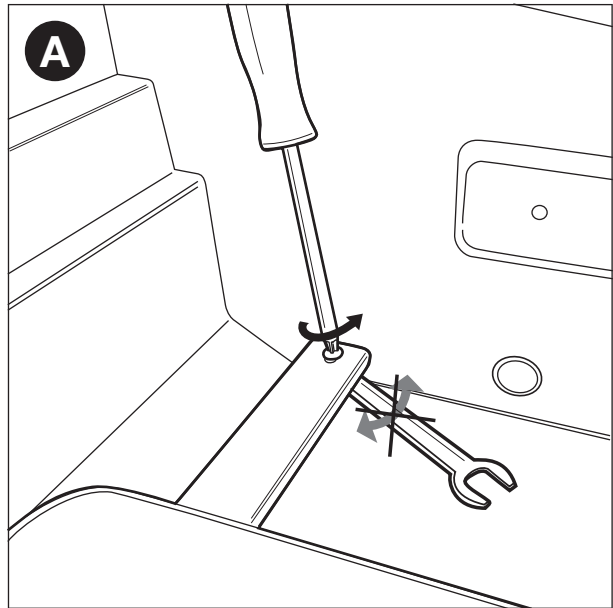
11.3.2 KEDY JE POTREBNÉ VYČISTIŤ HORÁKY A VENTURIHO TRUBICE

Horáky a Venturiho trubice je potrebné vyčistiť v týchto prípadoch:

- Po dlhšom čase nepoužívania.
- Najmenej dvakrát za rok, z toho raz na začiatku sezóny.

11.3.3 ČISTENIE HORÁKOV A VENTURIHO TRUBÍC

- 1 Odmontujte horáky z grilu, ako je znázornené na obrázku. Ak si všimnete, že horák je poškodený, je potrebné ho vymeniť.





- 2 Horáky a Venturiho trubice vyčistíte pomocou malej kefy alebo vlastného čističa na rúrky (rozvinutá sponka na papieri, kefka na hadičky...).
- 3 Namontujte horáky späť. Venturiho trubice musia byť umiestnené nad otvormi plynových ventilov.

11.4 Údržba smaltovaných, a lakovaných častí a častí z nehrdzavejúcej ocele

Výrobok je vyrobený z dielov z nehrdzavejúcej ocele a dielov upravených smaltom, alebo lakom. Každý materiál vyžaduje inú údržbu:

Materiál	Spôsob údržby tohto materiálu
Smalt	<ul style="list-style-type: none"> • Nepoužívajte ostré predmety a vyhnite sa úderom o tvrdý povrch. • Zabráňte kontaktu horúceho materiálu s chladnou kvapalinou. • Na čistenie možno použiť drôtenky a abrazívne čistiace prostriedky.
Nehrdzavejúca oceľ	<ul style="list-style-type: none"> • Nepoužívajte agresívne a abrazívne alebo čistiace prostriedky s obsahom kovov. • Používajte iba jemné čistiace prostriedky a nechajte ich pôsobiť. • Na zotretie použite mäkkú špongiu alebo tkaninu. • Po vyčistení dôkladne opláchnite a pred uskladnením dôkladne osušte.
Lakované diely	<ul style="list-style-type: none"> • Nepoužívajte ostré predmety. Použite jemné čistiace prostriedky a mäkkú špongiu alebo tkaninu. • Po vyčistení dôkladne opláchnite a pred uskladnením dôkladne osušte.

 Aby sa zabránilo tvorbe korózie, zabráňte kontaktu chlóróm, soľou a železom. Odporúčame nepoužívať gril v pobrežných oblastiach, v blízkosti železníc alebo bazénov.

 Škody spôsobené nedodržaním týchto pokynov sa považujú za nesprávnu údržbu a nie sú kryté zárukou.

Pod zvýrazneným zobrazením výrobku (druhá časť príručky) nájdete zoznam všetkých dielov, z ktorých sa výrobok skladá. V zozname nájdete symbol, ktorý označuje materiál jednotlivých dielov. Vďaka tomu si môžete pozrieť, ako sa má daný diel udržiavať. V zozname dielov sú použité tieto symboly:

Symbol	Materiál
●	Smalt
■	Nehrdzavejúca oceľ
★	Lakované diely

11.5 Uskladnenie grilu

Ak nebudete gril dlhší čas používať, uskladnite ho na suchom mieste. Pred uskladnením grilu:

- Odpojte plynovú fľašu. Nikdy neskladujte gril vo vnútorných priestoroch (ani v garáži či kôlni), pokiaľ je pripojený k plynovej fľaši.
- Očistite horáky a potrite ich kuchynským olejom. Zabaľte ich do papiera.

- Ak je váš gril vybavený bočným horákom, vyberte ho a uskladnite na suchom mieste.
- Gril zakryte krytom Barbecue. Zaregistrujte si svoj gril na stránke www.barbecue.com, kde nájdete informácie o tom, ktorý kryt potrebujete.

11.6 Skladovanie plynových fliaš

Tieto pokyny sa vzťahujú na prázdne aj plné plynové fľaše.

- Plynové fľaše skladujte vždy vo vonkajšom, dobre vetranom prostredí. Dbajte na to, aby neboli vystavené nadmernému teplu alebo priamemu slnku.
- Plynové fľaše nikdy neskladujte na miestach s vysokou teplotou (v aute, na lodi...).
- Nikdy neskladujte plynové fľaše (ani náhradné) v úložnom priestore spotrebiča.
- Nikdy neskladujte náhradné plynové fľaše v blízkosti spotrebiča, ktorý je v prevádzke.
- Plynové fľaše skladujte vždy mimo dosahu detí.
- Plynové fľaše skladujte a prepravujte v zvislej polohe.

11.7 Objednávanie náhradných dielov

Časti, ktoré sú priamo vystavené pôsobeniu ohňa alebo intenzívneho tepla, je potrebné z času na čas vymeniť.

Objednávanie náhradných dielov:

- 1 Pozrite si referenčné číslo dielu, ktorý potrebujete. Zoznam všetkých referenčných čísel dielov nájdete pod zvýrazneným zobrazením výrobku (druhá časť príručky) a na stránke www.barbecue.com.



Ak ste si svoj výrobok zaregistrovali online, budete automaticky nasmerovaní na správny zoznam.

- 2 Objednajte si náhradný diel u vášho predajcu. Náhradné diely si môžete objednávať počas platnosti záruky aj po jej skončení.

12 ZÁRUKA

12.1 Vzťahuje sa

Na váš gril sa vzťahuje 2-ročná záruka, ktorej platnosť začína plynúť dňom zakúpenia. Táto záruka kryje všetky výrobné chyby za nasledovného predpokladu:

- Svoj gril ste používali, zmontovali a udržiavali podľa pokynov uvedených v tejto príručke. Poškodenie spôsobené nesprávnym používaním, montážou alebo neadekvátnou údržbou nie sú považované za výrobné chyby.
- Viete predložiť doklad o kúpe a jedinečné sériové číslo výrobku. Sériové číslo sa začína písmenom G, za ktorým nasleduje 15 číslic. Nájdete ho na nasledovných miestach:
 - Na tejto príručke a na štartovacom balíku, v ktorom bola príručka vložená.
 - Na obale výrobku.
 - Na typovom štítku na vnútornej časti dvierok (Quisson, Siesta 4 a Siesta 6) alebo na vnútornej strane v spodnej časti predného panelu (Spring, Siesta 2 a Siesta 3).
- Oddelenie kontroly kvality spoločnosti Barbecue potvrdzuje, že diely sú chybné a ukázali sa ako chybné pri normálnom používaní, správnej montáži a adekvátnej údržbe.

Ak niektorá z vyššie uvedených podmienok nie je splnená, nemôžete žiadať o žiadnu náhradu škody. Záruka je v každom prípade obmedzená na opravu alebo výmenu chybného dielu (dielov).

12.2 Záruka sa nevzťahuje na nasledovné

Na nasledujúce poškodenia alebo chyby sa záruka nevzťahuje:

- Bežné opotrebovanie a poškodenie (korózia, deformácia, zmena farby...) dielov, ktorú sú priamo vystavené ohňu alebo intenzívnemu teplu. Je bežné tieto časti z času na čas vymeniť.
- Vizualne nepravidelnosti vzniknuté pri výrobnom procese. Tieto nepravidelnosti nie sú považované za výrobné chyby.
- Všetky druhy poškodenia spôsobené nesprávnou údržbou, uskladnením, zmontovaním alebo úpravami dielov zmontovaných vo výrobe.
- Všetky druhy poškodenia spôsobené nesprávnym používaním výrobku (nedodržiavanie pokynov na používanie uvedených v tomto návode, používanie na komerčné účely...).
- Všetky následné poškodenia spôsobené nedbanlivosťou alebo nevhodným používaním výrobku.
- Korózia alebo zmena farby spôsobená vonkajšími vplyvmi, používaním agresívnych saponátov, vystaveniu pôsobeniu chlóru a pod. Tieto druhy poškodenia nie sú považované za výrobné chyby.

13 TECHNICKÉ ÚDAJE

13.1 Typový štítok

Typový štítok obsahuje všetky technické údaje grilu. Nájdete ho na nasledovných miestach:

- V druhej časti tejto príručky.
- Na vnútornej strane dvierok.

13.2 Priemery trysiek

- Hlavný horák: 0,991 mm
- Pomocný horák: 0,88 mm

14 RIEŠENIE PROBLÉMOV

Problém	Pravdepodobná príčina	Riešenie
Nedostatočné teplo	<ul style="list-style-type: none"> Nie je otvorený prívod plynu. Venturiho trubice nie sú umiestnené nad otvorní v plynových ventiloch. Otvory horákov sú upchaté. Plynová fľaša je (takmer) prázdna. Regulátor tlaku nie je správne pripojený k fľaši alebo hadici. 	<ul style="list-style-type: none"> Otvorte prívod plynu. Venturiho trubice umiestnite nad otvory v plynových ventiloch. Vyčistite otvory horákov alebo ich vymeňte. Vymeňte plynovú fľašu. Odpojte a znovu pripojte regulátor tlaku k fľaši alebo hadici.
Nadmerné teplo alebo výskyt vzplanutí	<ul style="list-style-type: none"> Jedlo je príliš masťné. Otvor na odtok tuku je upchatý, v mise alebo na horákoch je nahromadený tuk. Nesprávne namontované kryty horákov. Príliš vysoká teplota. 	<ul style="list-style-type: none"> Odrežte z mäsa nadmerné množstvo tuku alebo nastavte horáky na nízky výkon. Vyčistite otvor na odtok tuku, misu a horáky. Namontujte kryty horákov správne. Nastavte horáky na nízku teplotu alebo grilujte nepriamo.
Teplo sa nerozvádza po povrchu grilu rovnomerne	<p>Určité rozdiely v teplote na povrchu sú normálne, pozrite kapitoly "11.6 Optimálne využitie tepla" a "11.7 Využívanie tepelných zón". Možné príčiny pri veľkých rozdieloch:</p> <ul style="list-style-type: none"> Nesprávne namontované kryty horákov. Gril nie je predhriaty. 	<ul style="list-style-type: none"> Namontujte kryty horákov správne. Gril predhrejete.
Žlté plamene	<ul style="list-style-type: none"> Upchaté horáky alebo Venturiho trubice. Soľ na horákoch. Gril je pripojený k čistému butánu. 	<ul style="list-style-type: none"> Vyčistite horáky a Venturiho trubice. Vyčistite horáky. Pripojte gril k propánu a použite vhodný regulátor tlaku.
Horák nehorí po celom obvode	Upchatý, deravý alebo skorodovaný horák.	Vyčistite alebo vymeňte horák.
Spätne rázy (plamene šľahajúce z Venturiho trubice alebo ventilov)	Upchaté horáky alebo Venturiho trubice.	<ol style="list-style-type: none"> Zatvorte prívod plynu a ventily horákov nastavte do polohy OFF. Nechajte gril vychladnúť. Vyčistite horáky a Venturiho trubice.
Plamene presahujú hranu misy	<ul style="list-style-type: none"> Veľký vietor. Plynová fľaša je (takmer) prázdna. Tuk v mise alebo na horákoch. 	<ul style="list-style-type: none"> Otočte spotrebič zadnou časťou proti vetru. Vymeňte plynovú fľašu. Vyčistite misu, horáky a vymeňte fóliu Leaf®.
Regulátor tlaku bzučí	<ul style="list-style-type: none"> Horúce počasie. Nová (plná) plynová fľaša. 	Nepredstavuje riziko ani chybu. Po chvíli by malo bzučanie prestať.
Horák písa pri nastavení na nízky výkon (LOW).	Znečistená tryska, Venturiho trubica alebo horák.	Vyčistite trysku, Venturiho trubicu a horák.
Horák nemožno zapáliť (ani zapalovačom, ani zápalkou)	<ul style="list-style-type: none"> Upchatý horák alebo Venturiho trubica. Nie je plyn. 	<ul style="list-style-type: none"> Vyčistite horák a Venturiho trubicu. Otvorte prívod plynu a stlačte bezpečnostné tlačidlo na regulátore tlaku (nenachádza sa však na všetkých regulátoroch).
Nemožno zapáliť horák pomocou zapalovača	<ul style="list-style-type: none"> Nie je nainštalovaná batéria, alebo je vložená nesprávne. Nesprávne zapojený zapalovač. Poškodená elektróda. Chybné uzemnenie. Chybný zapalovač. 	<ul style="list-style-type: none"> Nainštalujte (znovu) batériu a dbajte na správnu polaritu. Skontrolujte, prípadne znovu zapojte zapalovač. Vymeňte elektródu. Skontrolujte a znovu namontujte elektródy, horáky a zapalovač. Vymeňte zapalovač.
Žiadne iskry ani zvuk po stlačení zapalovača	<ul style="list-style-type: none"> Nie je nainštalovaná batéria, alebo je vložená nesprávne. Vybitá batéria. Tlačidlo zapalovača je zostavené nesprávne. Chybný generátor iskiev. 	<ul style="list-style-type: none"> Nainštalujte (znovu) batériu a dbajte na správnu polaritu. Vymeňte batériu. Rozoberte a znovu zostavte tlačidlo zapalovača. Vymeňte generátor iskiev.

Problém	Pravdepodobná príčina	Riešenie
Po stlačení zapaľovača sa ozve len zvuk (žiadne iskry)	<ul style="list-style-type: none"> • Chybné uzemnenie. • Horák a elektróda sú príliš vzdialené od seba. 	<ul style="list-style-type: none"> • Skontrolujte a nanovo pripojte generátor iskiek a elektródy. • Elektródu mierne ohnite, aby bola bližšie k horáku.
Vyskytujú sa iskry, ktoré nepochádzajú z horáka	Nesprávne zapojenie/káble.	Vymeňte káble/znovu zapojte.
Iskry sa vyskytujú, ale nie na všetkých elektródach a nie dostatočne silné	<ul style="list-style-type: none"> • Chybné uzemnenie. • Vybitá batéria. • Mokré alebo poškodené elektródy. 	<ul style="list-style-type: none"> • Skontrolujte a nanovo pripojte generátor iskiek a elektródy. • Vymeňte batériu. • Vysušte elektródy pomocou papierových obrúskov alebo ich vymeňte.

ET – KASUTUSJUHEND


1	Registreerige oma seade	266	10	Kasulikud soovitused ja nõuanded	272
2	Selle juhendi kohta	266		• Seadme eelsoojendamine	272
3	Olulised ohutusjuhised	266		• Toidu kinni jäämise vältimine	272
	• Lugege ja järgige juhiseid	266		• Otsene ja kaudne grillimine	272
	• Gaasiga seotud ettevaatusabinõud	266		• Grillimine suletud kaanega	272
	• Valige sobiv asukoht	266		• Temperatuuri jälgimine	272
	• Kasutage tervet mõistust	266		• Kuumuse optimaalne kasutamine	273
4	Läbivad mõisted	266		• Kuumuspiirkondade eeliste kasutamine	273
	• Venturi torud	266		• Lahvatuste vältimine	273
	• Põleti kattid	267	11	Seadme hooldamine	273
	• Email	267		• Grillresti puhastamine	273
	• Lahvatused	267		• Kausi puhastamine	273
5	Seadme kokkupanek	267		• Põletite ja Venturi torude puhastamine	273
	• Ohutusjuhised	267		• Emailitud, roostevabast terasest pulberkattega osade hooldamine	274
	• Seadme kokku panemine	267		• Seadme hoiustamine	275
6	Gaasi ühendamine seadmega	267		• Gaasiballoonide hoiustamine	275
	• Milline balloon, voolik ja regulaator valida?	267		• Varuosade tellimine	275
	• Ohutusjuhised	268	12	Garantii	275
	• Vooliku ühendamine seadmega	268		• Kaetud	275
	• Vooliku ja ballooni ühendamine regulaatoriga	269		• Ei ole kaetud	275
	• Ballooni asendamine	269	13	Tehnilised andmed	276
7	Gaasilekete kontrollimine	269		• Tüübisilt	276
	• Miks gaasilekkeid kontrollida?	269		• Injektorite läbimõõdud	276
	• Millal gaasilekkeid kontrollida?	269	14	Tõrkeotsing	277
	• Ohutusjuhised	269			
	• Mida ma vajan?	269			
	• Gaasilekete kontrollimiseks	269			
	• Gaasilekke korral	270			
8	Seadme ettevalmistamine	270			
	• Enne iga kasutust	270			
	• Enne esmakordset kasutamist (pärast pikka aega)	270			
	• Seadme sissetöötamine	270			
9	Põletite süütamine	270			
	• Ohutusjuhised	270			
	• Põhipõletite süütamine	270			
	• Külgpõleti süütamine	271			
	• Põletite välja lülitamine	271			
	• Põletite uuesti süütamine	272			
	• Leekide kontrollimine	272			


1 REGISTREERIGE OMA SEADE

Täname, et otsite Barbecooki seadme! Oleme kindlad, et see toob teile palju toredaid grilliõhtuid.

Oma seadme veelgi paremaks kasutamiseks registreerige toode aadressil www.barbecook.com. See võtab ainult mõned minutid ja annab järgmisi olulisi eeliseid.

- Saate juurdepääsu isiklikule müügijärgsele teenindusele. See võimaldab teil näiteks leida kiirelt oma seadmele varuosasid või kasutada optimaalset garantiiteenindust.
- Me saame teid teavitada huvitavatest tooteuendustest ja suunata teid toodete infoni ja tehniliste andmeteni, mis puudutavad teie seadet.

 Oma seadme registreerimise kohta lugege lisateavet aadressilt www.barbecook.com.

 Barbecook austab teie privaatsust. Teie andmeid ei müüda, levitata ega jagata kolmandatele osapooltele.

2 SELLE JUHENDI KOHTA


See juhend koosneb kahest osast.

- Esimest osa loete praegu. See sisaldab seadme kokkupanekut, kasutamist ja hooldamist puudutavaid juhiseid.
- Teine osa algab leheküljel 379. See sisaldab erinevaid selles juhendis kirjeldatud seadme jooniseid (detailsed vaated, monteerimisjoonised jne).

3 OLULISED OHUTUSJUHISED

3.1 Lugege ja järgige juhiseid


Lugege juhiseid enne seadme kasutamist. Järgige alati juhiseid põhjalikult. Seadme muul viisil kokku panemine või kasutamine võib põhjustada süttimist ja materjali kahjustamist.

 Garantii ei kata kahjustusi, mida on põhjustanud juhiste eiramine (vale kokkupanek, kasutamine, ebapiisav hooldamine).

3.2 Gaasiga seotud ettevaatusabinõud

Gaasiga töötamine on ohutu, kuid nõuab lisatähelepanu.

- Hoidke gaasiballoone alati välistingimustes, hästiventileeritud kohas. Jälgige, et neile ei mõjuks liigne kuumus ega otsene päikesevalgus.
- Ärge hoidke kunagi gaasiballoone ega varuballoone seadme kapis.
- Pange kasutamise ajal gaasiballoon seadme kõrval olevasse balloonikärusse.
- Ärge hoidke kunagi varuballooni kasutatava gaasiseadme läheduses.
- Keerake alati pärast kasutamist gaasiballoonil gaasitoide kinni.
- Ärge kunagi suitsetage töötava gaasiseadme ega gaasiballooni lähedal (täis/tühi).

 Kui tunnete gaasilõhna, sulgege kohe gaasitoide, kustutage kõik leegid ja avage seadme kaas. Kui lõhn püsib, helistage gaasimüüjale või tuletõrjesse.

3.3 Valige sobiv asukoht

Kasutage seadet ainult väliskeskkonnas. Selle kasutamine siseruumides, isegi garaazis või kuuris, võib põhjustada vingumürgitust.

Väljas grillimiskoha valimisel arvestage alati järgmisega.

- Asetage seade vähemalt kolme meetri kaugusele hoonetest avatud ja hästi ventileeritud kohta.
- Veenduge, et alati on olemas takistusteta õhuvool põletitesse ja korpuse õhuavadesse.
- Veenduge, et seade ei oleks katva konstruktsiooni (terrassi katus, varjualune jne) ega puude all.
- Pange seade kindlale ja stabiilsele pinnale. Ärge pange seda kunagi liikuvale sõidukile (paat, haagis jne).

3.4 Kasutage tervet mõistust

Kasutage seadme kasutamisel alati tervet mõistust.

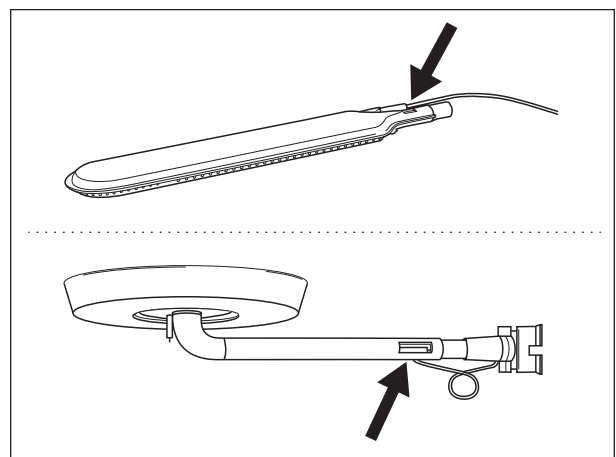
- Kasutage ainult väliskeskkonnas.
- Ärge liigutage seadet kasutamise ajal.
- Ärge jätke seadet kasutamise ajal järelevalveta, eriti laste ja loomade juuresolekul.
- HOIATUS! Mõned ligipääsetavad detailid võivad muutuda väga kuumaks. Hoidke väikesed lapsed eemal.
- Kasutage kuumade osade (kaas, grillrestid jne) käsitlemisel sobivaid kaitsevahendeid.
- Seade tuleb hoida kasutamise ajal eemal süttivatest materjalidest.
- Hoidke süttivad materjalid, vedelikud ja lahustuvad esemed kasutatavast seadmest eemal.
- Ärge kasutage gaasiseadmes puitu, puusütt, laavakive ega keraamilist briketti.
- Ärge kasutage seadet, kui olete tarbinud alkoholi või võtnud ravimeid.
- Ärge ehitage seadet ümber.

4 LÄBIVAD MÕISTED

See osa selgitab mõnesid vähem tuntud mõisteid. Neid mõisteid kasutatakse juhendi erinevates jaotistes.

4.1 Venturi torud

Venturi torud on väikesed torud, mis on kinnitatud põletite gaasi sisenemiskohta. Venturi toru küljel on auk. See on nähtav põhipõletitel ja külgpõletil.



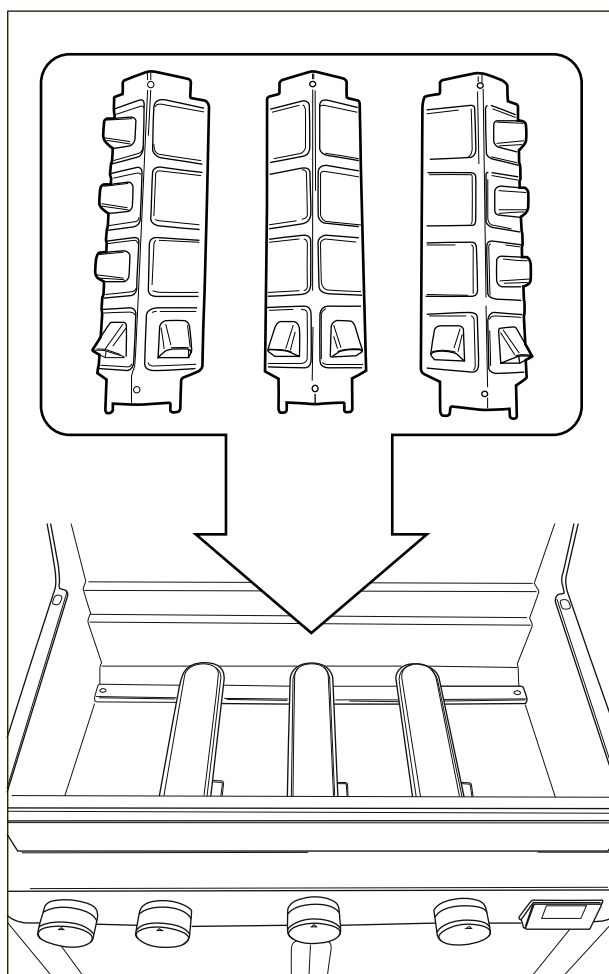
Kui gaas liigub põleti suunas, läbib see Venturi toru. Külgedel olevate aukude abil seguneb gaas õhuga ja seeläbi saab hapnikku. See on vajalik põletite heaks süütamiseks – ainult õige gaasi ja hapniku segu süttib korralikult ja annab hea leegi.

4.2 Põleti katted

Põleti katted on katted, mis paigaldatakse seadme põletite peale. Need kaitsevad põleteid tilkuva rasva eest ja on olulised süsteemis Turbo Heating System. Katete külgedel olevad kaetud augud jaotavad kuumust ühtlaselt üle grilli nii, et see kuumeneb kiiremini ja ühtlasemalt.



Seadme kokkupanekul pöörake erilist tähelepanu põletite katetele. Turbo Heating System töötab korrektselt ainult siis, kui iga kate on paigaldatud õige põleti kohale.



4.3 Email

Mõned seadme osad on kaetud sulatatud klaasi kihiga ehk emailiga. See email kaitseb selle all asuvat metalli roostetamise eest. Email on kõrge kvaliteediga materjal, see on roostekindel, ei tuhm kuumu temperatuuri mõjul ja seda on lihtne hooldada.



Kuna metall on seda katvast emailist painduvam, võivad emaili tükid seadme vales käsitsemisel maha kooruda. Probleemide vältimiseks olge emailiga osade kokkupanekul ettevaatlik ja hooldage emaili vastavalt selles juhendis kirjeldatule.

4.4 Lahvatused

Lahvatused on äkilised leegid, mis süttivad grillimise ajal kausis. Tavaliselt põhjustab neid tilkuv rasv või marinaad.

5 SEADME KOKKUPANEK

5.1 Ohutusjuhised

- Ärge ehitage seadet kokku panemise ajal ümber. See on väga ohtlik ja tootja poolt eelnevalt monteeritud ja/või tihendatud osade muutmine on keelatud.
- Järgige alati kokkupanemisjuhiseid põhjalikult.
- Kasutaja vastutab seadme korrektse kokku panemise eest. Garantii ei kata valest kokku panemisest põhjustatud kahjustusi.

5.2 Seadme kokku panemine

Te vajate ristpeakruvikeerajat, lamepeakruvikeerajat ja AA-akut (elektriline süütaja). Kui teie seadmel on küpsetusvarda põleti, vajate ka kahte D-akut (küpsetusvarda põleti mootor). Akud ei ole seadmega kaasas.

- 1 Pange seade tasasele ja puhtale pinnale.
- 2 Pange seade kokku vastavalt koostejoonistel näidatule. Te leiate need juhendi teisest osast pärast seadme detailset vaadet.



Olge emailosade kokku panemisel ettevaatlik. Tööriistad ja kruvid võivad emailkatet kahjustada. Kasutage kruvide ümber oleva emaili kaitsmiseks kaasasolevaid fiiberseibe.



Mullpakendis võib olla rohkem kruvisid kui tarvis. Kruvisid võib jääda pärast kokkupanekut üle.

6 GAASI ÜHENDAMINE SEADMEGA

6.1 Milline ballooni, voolik ja regulaator valida?

Enne, kui saate ühendada seadme gaasitoitega, peate ostma gaasiballooni, vooliku ja surveregulaatori. Ostke alati seadiseid, mis vastavad riiklikele standarditele ja seadmel toodud gaasi tüübile ja nimirõhule.

Allolevas tabelis on näidatud, millist ballooni, voolikut ja regulaatorit tuleb kasutada. Näiteks Belgias (BE) peate kasutama propaaniballooni, millel on voolik ja 37 mbar regulaator, või butaaniballooni, millel on voolik ja 28–30 mbar regulaator.

Riik	Balloon, voolik ja regulaator
DK, GR, NO, SE, EE, LT, LV, CZ, PL, MT, HU, SI, SK	Propaan, 30 mbar / butaan, 30 mbar
ES, GB, IE, PT, BE, FR, LU, IT	Propaan, 37 mbar / butaan, 28–30 mbar
NL	Propaan, 30 või 50 mbar / butaan, 30 mbar
CY	Propaan, 30 või 37 mbar / butaan, 28–30 mbar



Me soovime ühendada seadmega propaani. Propaan võimaldab kõrge kvaliteediga põlemist ja on külmumise suhtes vähemtundlik.

barbecook®

STELLA 3221
223.9422.000



**GO TO WWW.BARBECOOK.COM,
REGISTER YOUR BARBECOOK AND
YOUR BARBECOOK EXPERIENCE
WILL BE FURTHER IMPROVED!**

THIS IS YOUR UNIQUE SERIAL N°



Ostke rõhuregulaator ja gaasiballoon koos. Kõik regulaatorid ei sobi kõikidele balloonidele.

6.2 Ohutusjuhised

- Ärge ühendage kunagi ballooni otse seadmega. Paigaldage alati esmalt balloonile rõhuregulaator.
- Ärge ehitage kunagi ümber ballooni eelpaigaldatud või tihendatud osi, voolikut ega rõhuregulaatorit.
- Kasutage võimalikult lühikest voolikut (maksimaalselt 500 - 650 mm), et vältida selle lohisemist maapinnal.
- Ballooni, vooliku ja rõhuregulaatori ühendamisel järgige järgmist.
 - Ärge moonutage voolikut.
 - Hoidke balloon alati vertikaalasendis.
 - Ärge avage gaasitoidet.
- Kontrollige lekete suhtes iga kord, kui muudate gaasiühendust. Vt "7 Gaasilekete kontrollimine".

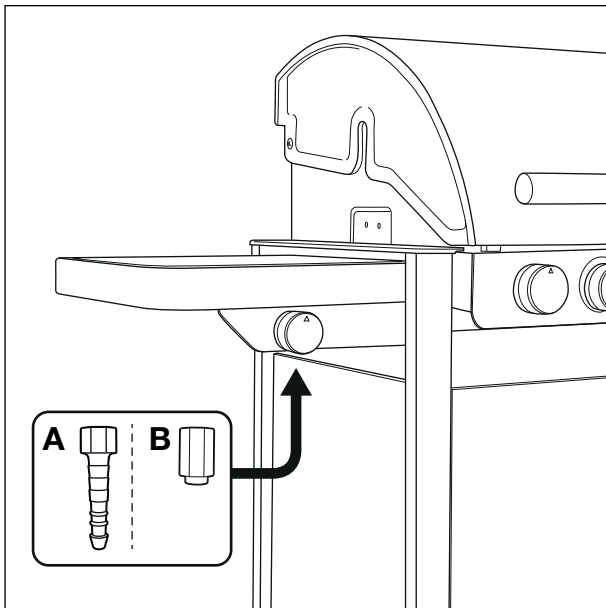
6.3 Vooliku ühendamine seadmega

Gaasivooliku seadmega ühendamiseks peate kinnitama seadme gaasitoru otsa muhvi. Seadmel on kaks muhvi, mis on mõeldud konkreetsetesse riikidesse.

Riik	Muhv
BE, CH, CZ, DK, ES, FI, GB, IE, IT, PT, SI	Muhv A
FR	Muhv B



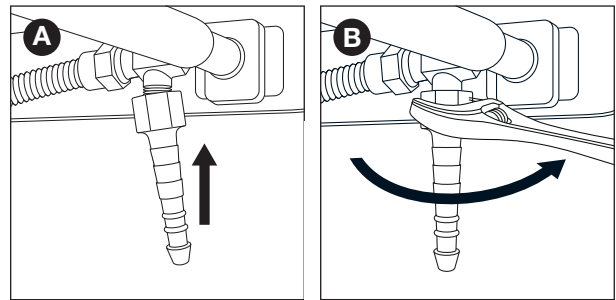
Kui teie riiki ei ole tabelis toodud, kasutage muhvi, mis vastab riiklikult kehtestatud standarditele.



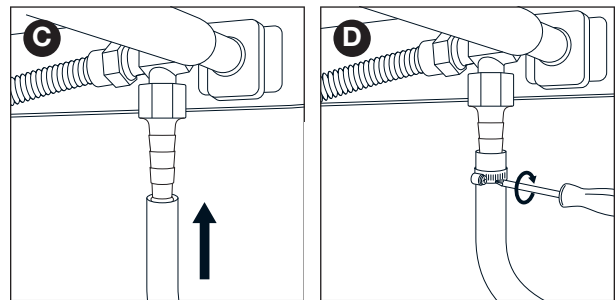
6.3.1 MUHV A

Te vajate 19 mm mutrivõtit ja ristpeaga kruvikeerajat.

- 1 Kruvige muhv seadme (A) gaasitorule ja kinnitage see 19 mm mutrivõtmega (B).



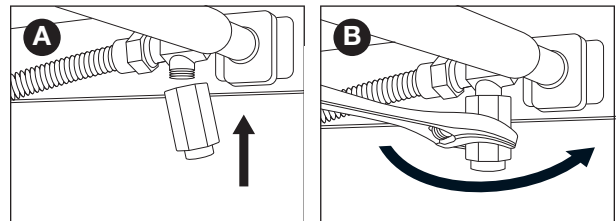
- 2 Libistage voolik üle muhvi (C) ja kinnitage kinnitusrõngas ristpeakruvikeerajaga (D).



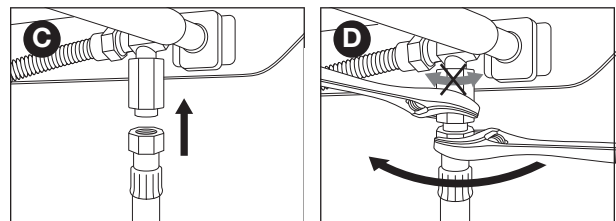
6.3.2 MUHV B

Te vajate 22 mm mutrivõtit ja tellitavat võtit.

- 1 Kruvige muhv seadme (A) gaasitorule ja kinnitage see 22 mm mutrivõtmega (B).



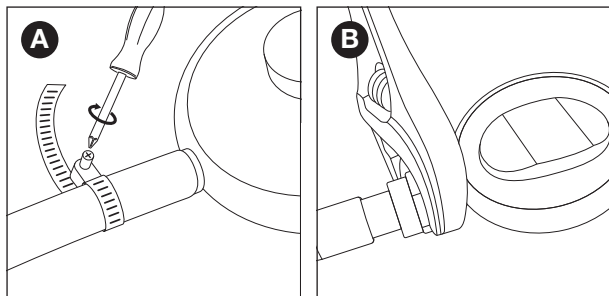
- 2 Kruvige gaasivoolik muhvile (C) ja kinnitage see kahe mutrivõtmega. Hoidke muhvi 22 mm mutrivõtmega ja keerake samal ajal voolikut tellitava võtmega (D).



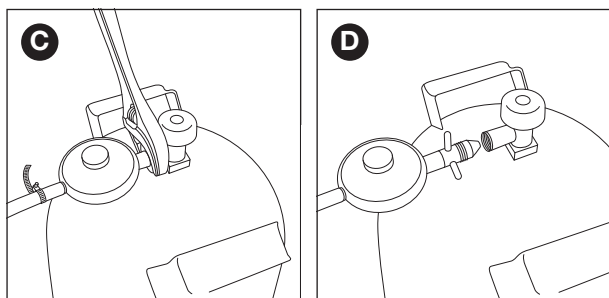
6.4 Vooliku ja ballooni ühendamine regulaatoriga

Sõltuvalt kasutatavast rõhuregulaatori tüübist vajate ristpeaga kruvikeerajat ja/või tellitavat võtit.

- 1 Ühendage voolik rõhuregulaatoriga. Tehke ühte järgmisest.
 - Kui voolikul on kinnitusrõngas, libistage voolik üle regulaatori ja kinnitage kinnitusrõngas ristpeakruvikeerajaga (A).
 - Kui voolikul on mutter, kruvige voolik regulaatorile ja kinnitage mutter tellitava võtmega (B).



- 2 Ühendage rõhuregulaator gaasiballooniga. Tehke ühte järgmisest.
 - Kui regulaatoril on mutter, kruvige regulaator päripäeva ballooni ja kinnitage mutter tellitava võtmega (C).
 - Kui regulaatoril on kruvikeere, kruvige regulaator vastupäeva ballooni (D).



6.5 Ballooni asendamine

- 1 Sulgege gaasitoide ja viige kõik juhtnupud asendisse OFF.
- 2 Ühendage tühi balloon lahti ja ühendage täis balloon.
- 3 Kontrollige ballooni, voolikut ja kõiki gaasiühendusi lekete suhtes. Vt "7 Gaasilekete kontrollimine".


7 GAASILEKETE KONTROLLIMINE

7.1 Miks gaasilekkeid kontrollida?

Propan ja butaan on õhust raskemad. Selle tulemusena ei haju need seadmest lekkimise korral ära. Tuulevaiksetel päevadel võib lekkimine põhjustada gaasi kogunemist seadme ümbrusse. Kogunenud gaas võib seetõttu süttida ja plahvatada.

7.2 Millal gaasilekkeid kontrollida?

- Enne esmakordset kasutamist või pärast pikemat kasutuseta perioodi.

 Kontrollige gaasilekete suhtes ka siis, kui seadme pani kokku müüja.

- Iga kord, kui asendate mõnda gaasikomponenti.
- Vähemalt üks kord aastas, eelistatavalt enne hooaja algust.

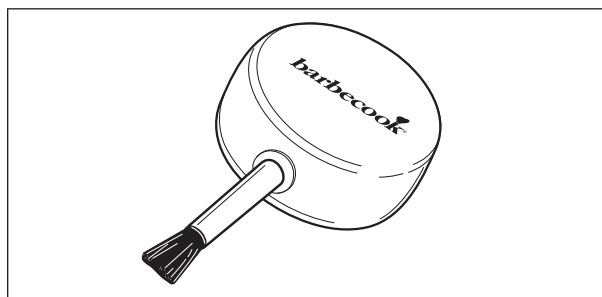
7.3 Ohutusjuhised

- Pange seade väliskeskonda, hästiventileeritavasse kohta. Veenduge, et seadme läheduses ei oleks leeki ega kuumusallikaid.
- Ärge kasutage kunagi gaasilekete kontrollimiseks tulemasinaga ega tikke.
- Ärge suitsetage ega süüdake põleteid gaasilekete kontrollimise ajal.

7.4 Mida ma vajan?

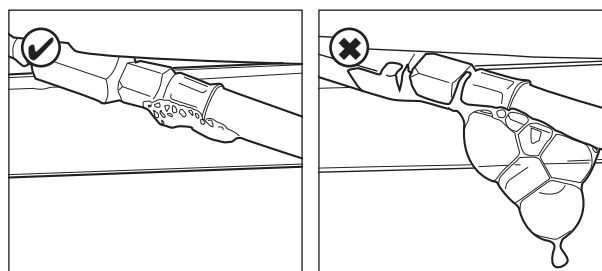
Gaasilekete kontrollimiseks vajate järgmisi vahendeid.

- Kontrollvedelik. Te saate kasutada juba valmis lekkepihustit või vee (50%) ja nõudepesuvahendi (50%) segu.
- Lekke kontrollimise tööriista, mis on seadmega kaasas. Sellega imete kontrollvedeliku sisse ja kannate selle gaasikomponendile või -ühendusele, mida soovite kontrollida.



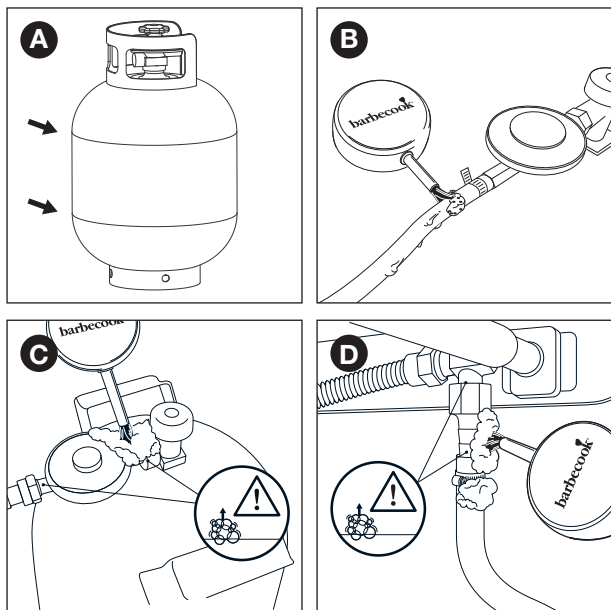
7.5 Gaasilekete kontrollimiseks

Gaasilekete kontrollimiseks kandke kontrollvedelikku kõikidele gaasikomponentidele ja -ühendustele. Kui mõnel komponendil või ühendusel hakkavad tekkima mullid, on tegemist gaasilekkega.



Gaasilekete kontrollimiseks tehke järgmist.

- 1 Viige seade välja.
- 2 Võtke lekke kontrollimise tööriist ja kontrollvedelik (lekkepihustit või seebi-nõudepesuvahendi segu).
- 3 Avage kaas ja viige kõik juhtnupud asendisse OFF.
- 4 Avage gaasitoide. Keerake gaasiballooni ventiili ainult üks kord.
- 5 Imege lekke kontrollimise tööriista natukene kontrollvedelikku ja kandke see alale, mida soovite kontrollida. Kontrollida tuleb järgmisi kohti:
 - gaasiballooni keevisühendused (A);
 - voolik (B);
 - ballooni ja rõhuregulaatori vaheline ja rõhuregulaatori ja vooliku vaheline ühendus (C);
 - vooliku ja seadme vaheline ühendus (D).



i Rõhuregulaator ja muhv võivad olla jooniselt toodust erinevad.

6 Tehke ühte järgmisest.

- Lekke tuvastamisel järgige peatükis "Gaasilekke korral" toodud juhiseid.
- Lekete puudumisel sulgege gaasitoide, loputage kõiki komponente põhjalikult veega ja kuivatage korralikult.

7.6 Gaasilekke korral

1 Sulgege gaasitoide ja tehke ühte järgmisest.

- Kui tuvastate gaasilekke mõnel ühenduskohal, tihendage see ühenduskoht.
- Kui tuvastate lekke balloonil või voolikul, asendage balloon või voolik.

2 Kontrollige uuesti ühenduskohta või komponenti, millel te lekke avastasite.

3 Kui leke on endiselt olemas, võtke ühendust Barbecooki edasimüüjaga. Ärge kasutage seadet enne, kui leke on kõrvaldatud.

i Barbecooki edasimüüjate nimekirjal leiate aadressilt www.barbecook.com.

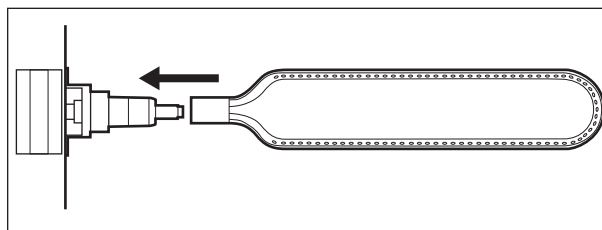
8 SEADME ETTEVALMISTAMINE

8.1 Enne iga kasutust

Igal seadme kasutamisel kontrollige järgmist.

- Seade on sobivas kohas. Vt "3.3 Valige sobiv asukoht".
- Gaasivoolik ei lohise vastu maad ja ei puutu kokku kuumade pindade ega tilkuva rasvaga.
- Kauss on puhas. Me soovitame panna enne iga kasutuskorda kaussi uue Leaf®i. Vt "11.2 Kausi puhastamine".
- Põletid ja Venturi torud ei ole putukate pesade ega ämblikuvõrkude poolt blokeeritud. Vt "11.3 Põletite ja Venturi torude puhastamine".
- Seade on õigesti kokku pandud. Pöörake erilist tähelepanu järgmistele kohtadele.
 - Põleti katted. Iga kate tuleb paigaldada õige põleti kohale. Vt "4.2 Põleti katted".

- Põleti Venturi torud. Need peavad olema pandud gaasiventilide avade kohale.



i Kui soovite veenduda täielikult seadme gaasiühenduste korrasolekust, võite teha enne iga kasutust seadmele gaasilekete kontrolli. Vt "7 Gaasilekete kontrollimine".

8.2 Enne esmakordset kasutamist (pärast pikka aega)

Kui kasutate seadet esimest korda või pärast pikemat kasutuseta perioodi, peate tegema mõned täiendavad kontrollid.

- Veenduge, et olete lugenud, mõistnud ja kontrollinud kõiki selle juhendi juhiseid (ainult enne esmakordset kasutamist).
- Kontrollige seadet gaasilekete suhtes. Vt "7 Gaasilekete kontrollimine".



Kontrollige gaasilekete suhtes ka siis, kui seadme pani kokku müüja.

- Puhastage põletid ja Venturi torud (ainult pärast pikaajalist kasutuseta perioodi). Vt "11.3 Põletite ja Venturi torude puhastamine".
- Põletage enne toidu peale panemist mõnda aega seadet tühjana (ainult enne esmakordset kasutamist). Vt "8.3 Seadme sissetöötamine".

8.3 Seadme sissetöötamine

Seadme sissetöötamisega enne esmakordset kasutamist eemaldate seadmelt tootmisest jäänud määrdeained. Tegutsege järgmiselt.

- 1 Süüdake põhipõletid ja viige nende juhtnupud asendisse HIGH. Vt "9.2 Põhipõletite süütamine".
- 2 Sulgege kaas ja laske seadmelt põleda 15 minutit. Ärge pange grillrestile veel toiduaineid.
- 3 15 minuti pärast avage kaas ja laske seadmelt põleda veel 5 minutit (juhtnupud endiselt asendis HIGH).
- 4 5 minuti pärast on seade kasutamiseks valmis. Nüüd võite panna toiduaineid grillrestile.

9 PÕLETITE SÜÜTAMINE



Põleti süütamiseks elektrilise süütajaga tuleb süütajasse paigaldada AA-aku. See aku ei ole seadmega kaasas. Süütaja akupesa asub seadme kapi sees.

9.1 Ohutusjuhised


- Enne seadme süütamist viige läbi kontrollimised, mis on toodud jaotises "8 Seadme ettevalmistamine".
- Veenduge alati enne põleti süütamist, kas kaas on avatud.
- Ärge kummarduge kunagi süütamisel põleti kohale.

9.2 Põhipõletite süütamine

9.2.1 SÜÜTAJA KASUTAMINE

- 1 Avage kaas ja viige põhipõletite juhtnupud asendisse OFF.

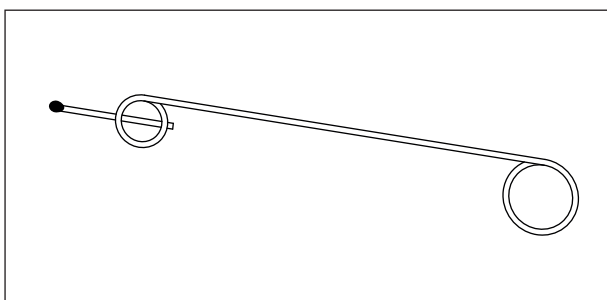
- 2 Kui ükski põleti ei põle veel, avage gaastoide ja oodake kümme sekundit. See võimaldab gaasivoolul stabiliseeruda.
- 3 Lükake sisse ühe põleti juhtnupp ja viige see asendisse HIGH ja hoidke seda natukene aega. Sisseehitatud süütaja tekitab sädemeid, mis süütavad põleti.

 Alustuseks süüdake alati üks põhipõletitest. Ärge süüdake kunagi kõiki põhipõleteid korraga.

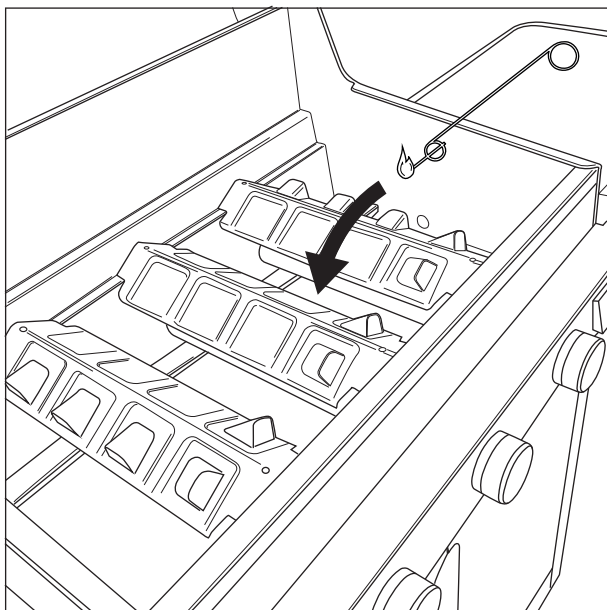
- 4 Kui põleti ei sütti kolme katse jooksul, viige juhtnupp asendisse OFF, sulgege gaasitoide ja oodake 5 minutit. See võimaldab kogunenud gaasil hajuda.
- 5 Proovige põletit uuesti süüdata. Kui see ei sütti ka nüüd, proovige süüdata tikuga või vaadake jaotist "14 Tõrkeotsing", et selgitada välja probleemi põhjus.

9.2.2 TIKU KASUTAMINE


- 1 Pange tikk tikuhoidikusse.



- 2 Avage kaas ja viige põhipõletite juhtnupud asendisse OFF.
- 3 Kui ükski põleti ei põle veel, avage gaastoide ja oodake kümme sekundit. See võimaldab gaasivoolul stabiliseeruda.
- 4 Süüdake tikk ja hoidke seda põletist umbes 13 mm kaugusel.




- 5 Viige ühe põleti juhtnupp asendisse HIGH.

 Alustuseks süüdake alati üks põhipõletitest. Ärge süüdake kunagi kõiki põhipõleteid korraga.

- 6 Kui põleti ei sütti 5 sekundi jooksul, viige juhtnupp asendisse OFF, sulgege gaasitoide ja oodake 5 minutit. See võimaldab kogunenud gaasil hajuda.
- 7 Proovige põletit uuesti süüdata. Kui see ei sütti ka nüüd, vaadake jaotist "14 Tõrkeotsing", et selgitada välja probleemi põhjus.

9.3 Külgpõleti süütamine

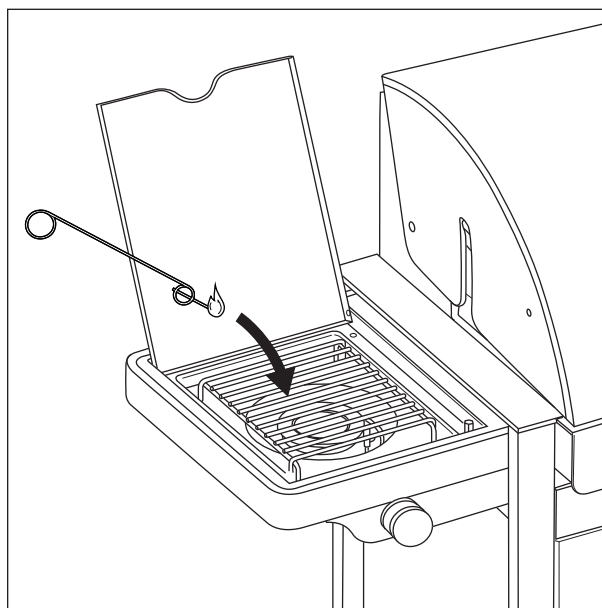
 Külgpõleti suudab kanda ainult anumaid, mille maksimaalne kaal on 9 kg ja läbimõõt kuni 220 mm.

9.3.1 SÜÜTAJA KASUTAMINE

- 1 Avage kaas ja viige külgpõleti juhtnupp asendisse OFF.
- 2 Kui ükski põleti ei põle veel, avage gaastoide ja oodake kümme sekundit. See võimaldab gaasivoolul stabiliseeruda.
- 3 Lükake sisse külgpõleti juhtnupp ja viige see asendisse HIGH ja hoidke seda natukene aega. Sisseehitatud süütaja tekitab sädemeid, mis süütavad külgpõleti.
- 4 Kui põleti ei sütti kolme katse jooksul, viige juhtnupp asendisse OFF, sulgege gaasitoide ja oodake 5 minutit. See võimaldab kogunenud gaasil hajuda.
- 5 Proovige külgpõletit uuesti süüdata. Kui see ei sütti ka nüüd, proovige süüdata tikuga või vaadake jaotist "14 Tõrkeotsing", et selgitada välja probleemi põhjus.

9.3.2 TIKU KASUTAMINE

- 1 Pange tikk tikuhoidikusse.
- 2 Avage kaas ja viige külgpõleti juhtnupp asendisse OFF.
- 3 Kui ükski põleti ei põle veel, avage gaastoide ja oodake kümme sekundit. See võimaldab gaasivoolul stabiliseeruda.
- 4 Süüdake tikk ja hoidke seda külgpõletist umbes 13 mm kaugusel.



- 5 Viige külgpõleti juhtnupp asendisse HIGH.
- 6 Kui külgpõleti ei sütti 5 sekundi jooksul, viige juhtnupp asendisse OFF, sulgege gaasitoide ja oodake 5 minutit. See võimaldab kogunenud gaasil hajuda.
- 7 Proovige külgpõletit uuesti süüdata. Kui see ei sütti ka nüüd, vaadake jaotist "14 Tõrkeotsing", et selgitada välja probleemi põhjus.

9.4 Põletite välja lülitamine

Kui te enam põleteid ei kasuta, tuleb need välja lülitada. Tegutsege järgmiselt.

- 1 Sulgege gaasitoide.
- 2 Viige põletite juhtnupud asendisse OFF.



Kui sulgete esimesena gaasitoite, tagate, et seadmesse ei jää gaasi.

9.5 Põletite uuesti süütamine

Kui põleti kustub kasutamise ajal, toimige vastavalt järgmistele juhistele.

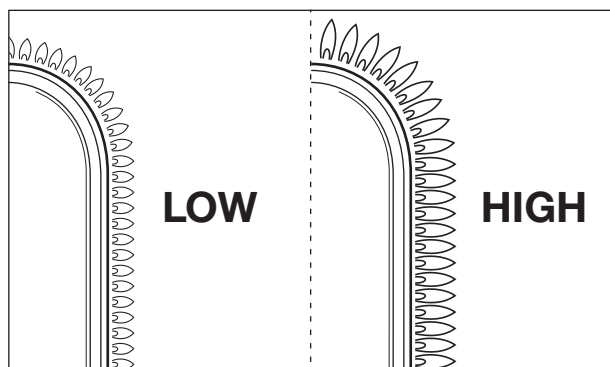
- 1 Avage kaas ja sulgege gaasitoide.
- 2 Viige kõik juhtnupud asendisse OFF ja oodake 5 minutit. See võimaldab kogunenud gaasil hajuda.
- 3 Süüdake põleti(d) uuesti.

9.6 Leekide kontrollimine

Iga kord, kui süütate põleti, peate kontrollima selle leeki. Ideaalne leek on peaaegu täielikult sinine ja sellel on kollakas tipp. Aeg-ajalt kollasena esinev leek on normaalne ja ei ole ohtlik.

Kui leek ei ole normaalne, tehke probleemi lahendamiseks mõnda järgmisest.

Kui leek on...	Tehke järgmist...
Madal ja täielikult kollane	<ol style="list-style-type: none">1 Sulgege viivitamatult gaasitoide ja viige kõik juhtnupud asendisse OFF.2 Vaadake probleemi lahendamiseks jaotist "14 Tõrkeotsing". Tõenäoliselt on Venturi torud ummistunud.
Kausist kõrgem	<ol style="list-style-type: none">1 Sulgege viivitamatult gaasitoide ja viige kõik juhtnupud asendisse OFF.2 Oodake 5 minutit, et lasta kogunenud gaasil hajuda.3 Süüdake põleti(d) uuesti.4 Probleemi püsimisel vaadake jaotist "14 Tõrkeotsing", et selgitada välja probleemi põhjus.



10 KASULIKUD SOOVITUSED JA NÕUANDED

10.1 Seadme eelsoojendamine

Seadme eelsoojendamine tagab, et grill on toidu panemisel piisavalt soe. Tegutsage järgmiselt.

- 1 Süüdake põleti(d) ja viige juhtnupp (juhtnupud) asendisse HIGH.
- 2 Sulgege kaas ja jätke seade kümneks minutiks soojenema.
- 3 Kümne minuti pärast avage kaas ja pange toit grillile.
- 4 Kui vajate väiksemat kuumust, viige juhtnupp (juhtnupud) madalamale kuumusele.

10.2 Toidu kinni jäämise vältimine


Toidu kinni jäämist saate vältida järgmistel viisidel.

- Pintseldage toitu enne grillile asetamist kergelt õliga. Samuti võite kanda õli grillrestile.
- Soojendage seade ette. Mida soojem on grill toidu peale panemise ajal, seda vähem jääb toit kinni.
- Ärge keerake toitu liiga kiiresti ümber. Laske sellel esmalt natukene kuumeneda.

10.3 Otsene ja kaudne grillimine

Sõltuvalt küpsetatava toiduaine tüübist ja valmistamise viisist saate grillida otse või kaudselt.


Meetod	Kirjeldus	Kasutage
Otsene	Pange toit otse põleva põleti kohale, seadistage põleti suurele kuumusele ja hoidke kaas lahti.	Pruunistatud lihale ja aedviljadele
Kaudne	Pange toit põleva põleti kõrvale, seadistage põleti keskmisele/madalale kuumusele ja sulgege kaas.	Pruunistatud liha täiendavaks küpsetamiseks.

 Kui grillite kinnise kaanega, jälgige alati kaanel olevat termomeetrit, et seade ei läheks liiga kuumaks. Vt "10.5 Temperatuuri jälgimine".

10.4 Grillimine suletud kaanega

Grillimise ajal kaane sulgemisel on järgmised olulised eelised:


- grilli temperatuur on kõrgem ja püsib ühtlasem;
- see vähendab toidu küpsemisaega ja toit püsib mahlakam;
- see vähendab lahvatusi ja säästab gaasi.

 Kui grillite kinnise kaanega, jälgige alati kaanel olevat termomeetrit, et seade ei läheks liiga kuumaks. Vt "10.5 Temperatuuri jälgimine".

10.5 Temperatuuri jälgimine

Teie seade on varustatud võimsate põletitega, seega kuumeneb see kiiresti ja te saate hoida temperatuuri stabiilsena. Kui grillite suletud kaanega, peate veenduma, et seade ei muutuks liiga kuumaks. Jälgige kaane termomeetrit ja arvestage järgmiste juhistega.

- Normaalne küpsetustemperatuur on umbes 210 °C. Kõrgemal temperatuuril võib tilkuv või kogunenud rasv süttida.
- Temperatuur ei tohiks olla üle 300 °C rohkem kui viis minutit. See võib seadet kahjustada ja deformeerida.

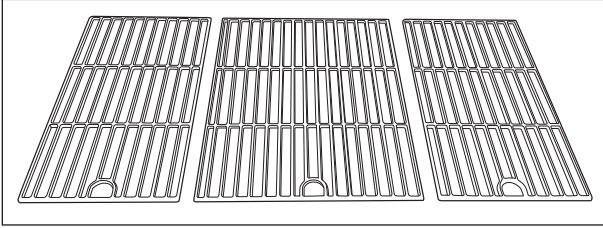
 Kui seade muutub liiga kuumaks, jahutage seda kaane avamisega ja seadistage põletid madalamale kuumusele.

10.6 Kuumuse optimaalne kasutamine

Kausi keskmine osa on servadest kuumem. Selleks, et kasutada maksimaalselt ära kuumemat osa, on seade varustatud erinevas suuruses grillrestidega. Sellega on kaasas:

- üks suur grillrest, mis asetatakse kausi keskele;
- kaks väiksemat grillrest, mis asetatakse kausi servadele.


Kui asetate grillrestid kausis õigesti ja süütate kõik põletid, soojeneb kogu keskmine grillrest maksimumkuumusele. Sellisel laiendate te kausi kuumimat osa ja saate kasutada optimaalselt oma seadme grillimispiinda.



10.7 Kuumuspiirkondade eeliste kasutamine

Kui kõik põletid töötavad, jaotavad põletite katted kuumust võimalikult ühtlaselt üle kogu grilli. Hoolimata ühtlasest kuumusest on mõned piirkonnad teistest kuumemad. Te saate kasutada neid kuumuspiirkondi oma toidu täiuslikuks grillimiseks.

Piirkond	Kuum?	Kasutage...
Ees	Kuum	Õrnade toiduainete grillimine (krevetid, kala jne)
Keskel	Kuumem	Valmistage toitu, mis vajab küpsemiseks aega (nt vorstid, kanarind jne)
Taga	Kuumim	Liha ja aedviljade pruunistamine

 Samuti saate ise põletite erinevate kuumusastmetega luua kuumuspiirkondi. Näiteks saate seadistada põleti madalale kuumusele ja kasutada selle põleti kohal olevat ala õrnade või kaua küpsemist nõudvate toiduainete küpsetamiseks.

10.8 Lahvatuste vältimine

Grillimise ajal on lahvatused tavapärane. Kui aga lahvatusi esineb liiga palju, suureneb sellega seadme temperatuur ja see võib süüdata kogunenud rasva. Lahvatuste vältimiseks tehke järgmist.


- Kontrollige enne grillimist, kas kauss on puhas. Me soovime panna enne iga kasutuskorda kaussi uue Leaf®i. Vt "11.2 Kausi puhastamine".
- Kontrollige regulaarselt, kas rasva äravooluauk on vaba ja rasva tilkumisasutus ja kauss ei ole täis.
- Rasvase liha grillimisel eemaldage liigne rasv, sulgege kaas ja seadistage põletid keskmisele või madalale kuumusele.

11 SEADME HOOLDAMINE

11.1 Grillresti puhastamine


Me soovime puhastada grillresti pärast iga kasutuskorda puhastusvahendiga Barbecook cleaner. Tegutsege järgmiselt.

- 1 Pihustage vaht grillrestile ja laske sellel mõnda aega mõjuda. Vaht muutub mustuse ja määrde lahti leotamisel tuhmimaks.
- 2 Eemaldage vaht pehme pesukäsna ja veega ning loputage grillrest põhjalikult.
- 3 Kuivatage grillrest põhjalikult ja hoidke seda kuivas kohas. See takistab rooste tekkimist.

 Samuti võite grillresti puhastada pehme puhastusvahendiga või söögisoodaga. Ärge kasutage grillrestil ühtegi muud puhastusvahendit.

11.2 Kausi puhastamine

Me soovime puhastada kaussi pärast iga kasutuskorda. Lihtsaim viis selleks on panna enne iga grillimist kaussi uus Leaf®. Leaf® on foolium, mis sobib ideaalselt kaussi ja püüab kinni kõik jäägid ja rasva. Kui seade on jahtunud, eemaldage Leaf® ja kauss on puhas.

 Registreerige oma seade aadressil www.barbecook.com, et leida oma seadmele sobiv Leaf®.

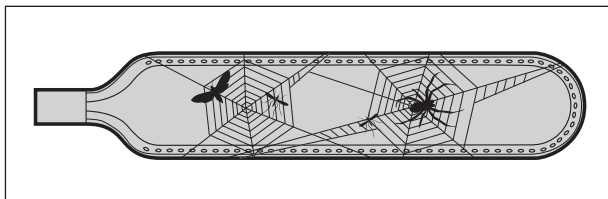
11.3 Põletite ja Venturi torude puhastamine

11.3.1 MIKS TULEB PÕLETEID JA VENTURI TORUSID PUHASTADA?

Ämblikud ja muud putukad võivad teha põletitesse ja Venturi torudesse võrke ja pesasid. See võib blokeerida gaasi liikumist. Selle tulemusena ei saa te:

- süüdata põleteid. Kui teil õnnestub siiski need süüdata, tekitavad need suitsu ja põlevad kollase leegiga;
- gaas võib hakata põlema väljaspool Venturi torusid juhtnuppude juures. Neid leeke kutsutakse tagasilöögi

leekideks ja need võivad põhjustada tõsiseid vigastusi ja materiaalselt kahju.



i Kahjustusi, mida on põhjustanud ummistunud põletid ja Venturi torud, loetakse ebapiisavaks hooldamiseks ja neid ei kata garantii.

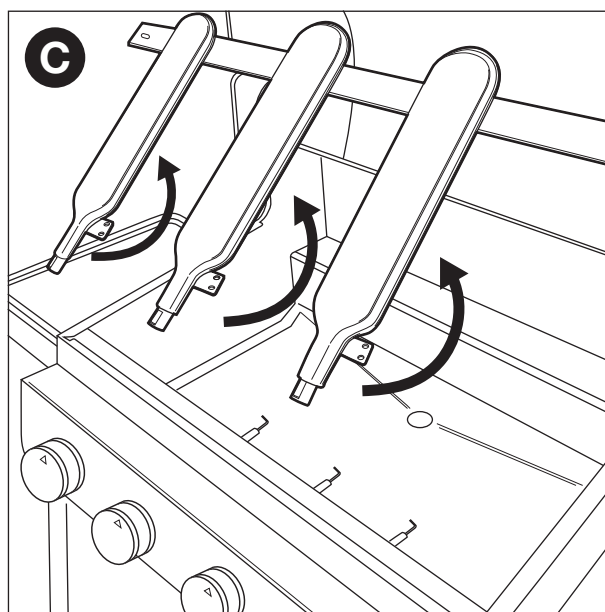
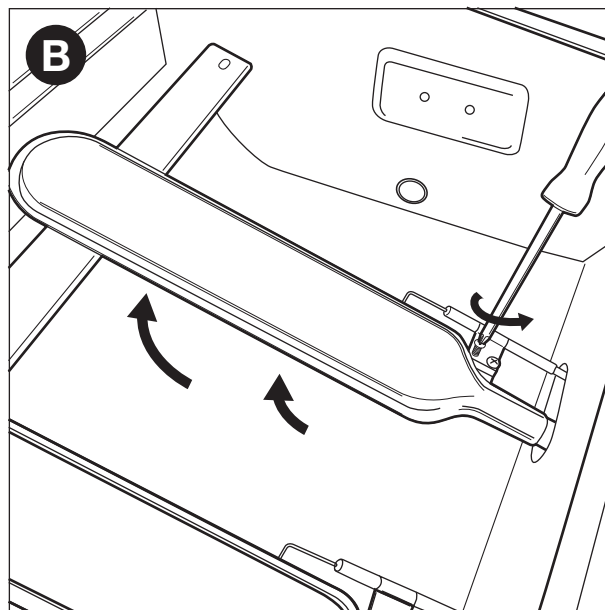
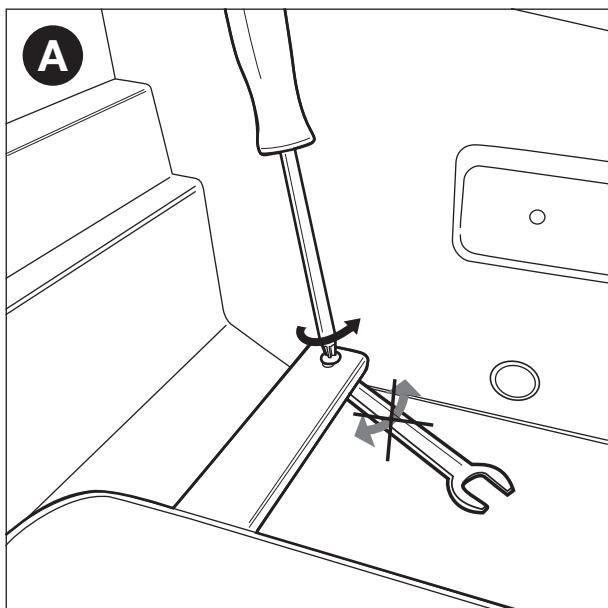
11.3.2 MILLAL TULEB PÕLETEID JA VENTURI TORUSID PUHASTADA?

Te peate puhastama oma seadme põletid ja Venturi torusid järgmiselt:

- enne esmakordset kasutamist pärast pikemat kasutuseta perioodi;
- vähemalt kaks korda aastas, millest üks kord enne hooaja algust.

11.3.3 PÕLETITE JA VENTURI TORUDE PUHASTAMISEKS

- 1 Eemaldage põletid seadmelt, nagu näidatud joonistel. Kui märkate, et põletid on kahjustunud, tuleb see asendada.



- 2 Puhastage põletid ja Venturi torusid väikese harjaga või koduse torupuhastajaga (lahti võetud kirjaklamber, toruhari jne).
- 3 Pange põletid tagasi. Jälgige, et panete Venturi torud gaasiventilide avade kohale.

11.4 Emailitud, roostevabast terasest pulberkattega osade hooldamine

Seade koosneb emailitud, roostevabast terasest ja pulberkattega osadest. Igat materjali tuleb hooldada erinevalt.

Materjal	Kuidas materjali hooldada
Email	<ul style="list-style-type: none"> • Ärge kasutage teravaid esemeid ega koputage vastu kõvasid pindasid. • Kuumana vältige kokkupuudet külmade vedelikega. • Te võite kasutada metallkäsnaid ja abrasiivseid puhastusvahendeid.

Materjal	Kuidas materjali hooldada
Roostevaba teras	<ul style="list-style-type: none"> Ärge kasutage tugevatoimelisi, abrasiivseid puhastusvahendeid ega metalli. Kasutage pehmeid puhastusvahendeid ja laske neil terasel mõjuda. Kasutage pehmet pesukäsna või riidetükki. Pärast puhastamist loputage põhjalikult ja laske enne ära panemist täielikult kuivada.
Pulberkate	<ul style="list-style-type: none"> Ärge kasutage teravaid esemeid. Kasutage nõrka pesuvahendit ja pehmet pesukäsna või riidetükki. Pärast puhastamist loputage põhjalikult ja laske enne ära panemist täielikult kuivada.



Roostevabale terasele rooste tekkimise takistamiseks vältige kokkupuudet kloori, soola ja rauaga. Me ei soovita kasutada seadet rannas, raudteede ega basseinide läheduses.



Kahjustusi, mida on põhjustanud nende juhiste eiramine, loetakse ebapiisavaks hooldamiseks ja neid ei kata garantii.

Seadme detailse vaate (juhendi teine osa) alt leiate loetelu kõikidest osadest, millest seade koosneb. Selles loetelus on toodud sümbolid, mis näitavad iga osa materjali, seega saate sealt kontrollida, kuidas konkreetset osa hooldada. Osade loetelus kasutatakse järgmisi sümboleid.

Sümbol	Materjal
●	Email
■	Roostevaba teras
★	Pulberkate

11.5 Seadme hoistamine

Kui te ei kasuta seadet pikema aja jooksul, hoidke seda kuivas kohas. Enne seadme hoistamist tehke järgmist.

- Ühendage lahti gaasiballoon. Ärge hoidke seadet kunagi siseruumides (isegi mitte garaazhis või kuuris), kui see on ühendatud gaasiballooniga.
- Puhastage põletid ja grillrestid, hõõruge neid õliga ja mähkige paberisse.
- Kui teie seade on varustatud küpsetusvarda põletiga, eemaldage küpsetusvarda põleti mootor ja hoidke seda kuivas kohas.
- Katke seade kattega Barbecook. Registreerige oma seade aadressil www.barbecook.com, et leida oma seadmele sobiv kate.

11.6 Gaasiballoonide hoistamine

Need juhised kehtivad nii tühjajale kui ka täidetud gaasiballoonidele.

- Hoidke gaasiballoone alati välitingimustes, hästiventileeritud kohas. Jälgige, et neile ei mõjuks liigne kuumus ega otsene päikesevalgus.
- Ärge hoidke kunagi gaasiballoone kohas, mis võib muutuda väga kuumaks (autos, paadis jne).
- Ärge hoidke kunagi gaasiballoone ega varuballoone seadme kapis.

- Ärge hoidke kunagi varuballooni kasutatava gaasiseadme läheduses.
- Hoidke gaasiballoone alati lastele kättesaamatus kohas.
- Hoidke ja transportige gaasiballoone alati vertikaalasendis.

11.7 Varuosade tellimine

Osasid, mis puutuvad otse tule või intensiivse kuumusega kokku, tuleb aeg-ajalt vahetada. Tellige varuosi järgmisel viisil.

- Leidke vajaliku osa viitenumber. Viitenumbrite loetelu leiate selle juhendi teise osa detailsete vaadete alt ja aadressilt www.barbecook.com.



Kui registreerisite oma toote internetis, suunatakse teid õige loetelu juurde automaatselt.

- Tellige varuosa oma müügikohast. Varuosasid saate tellida nii garantii raames kui ka väljaspool seda.

12 GARANTII

12.1 Kaetud

Seadmel on alates ostukuupäevast kaheaastane garantii. See garantii katab kõiki tootmisvigu järgmistel eeldustel.

- Te olete seadet kasutanud, kokku pannud ja hooldanud vastavalt selles juhendis toodud juhiste. Valest kasutamisest, kokkupanekust ja ebapiisavast hooldamisest tingitud kahjustusi ei loeta tootmisvigadeks.
- Teil on olemas ostutšekk ja seadme unikaalne seerianumber. See seerianumber algab tähega G, millele järgnevad 15 numbrit. Te leiate selle järgmistest kohtadest:
 - sellest juhendist ja juhendiga kaasas olevast stardipakist;
 - seadme pakendilt;
 - tüübisildilt, mis asub kapiukse siseküljel.
- Barbecooki kvaliteediosakond kinnitab, et osad on vigased ja nende vead on ilmnunud normaalse kasutamise, õige kokkupaneku ja piisava hoolduse korral.

Kui mõni ülaltoodud tingimustest ei ole täidetud, ei saa te taotleda garantiiteenindust. Kõikidel juhtudel on garantii piiratud vigase osa (osade) remontimise või asendamisega.

12.2 Ei ole kaetud

Garantii ei kata järgmisi kahjustusi ja defekte.

- Leekide ja suure kuumusega otse kokku puutuvate osade tavapärane kulumine (roostetamine, moonutused, värvi luitumine jne). Tavapärane on nende osade asendamine aeg-ajalt.
- Visuaalsed erinevused, mis vastavad tootmisprotseduurile. Neid erinevusi ei loeta tootmisvigadeks.
- Kõik kahjustused, mida on põhjustanud ebapiisav hooldamine, vale hoistamine, vale kokkupanek või eelmonteeritud osade ümber ehitamine.
- Kõik kahjustused, mida on põhjustanud seadme väär kasutamine või kuritarvitamine (kasutamine selle juhendi juhiseid eirates, kasutamine kommertseemärkidel jne).
- Kõik tagajärjeks olevad kahjustused, mille on põhjustanud hooletus või seadme ebasihhipärane kasutamine.
- Välismõjudest, agressiivsetest puhastusvahenditest, kokkupuutest klooriga jne tingitud rooste, värvi luitumine... Neid kahjustusi ei loeta tootmisvigadeks.

13 TEHNILISED ANDMED

13.1 Tüübisilt

Tüübisildil on toodud teie seadme kõik tehnilised näitajad. Te leiata selle järgmistest kohtadest:

- juhendi teisest osast;
- kapiukse siseküljelt;

13.2 Injektorite läbimõõdud

- Põhipõleti: 0,991 mm
- Külgpõleti: 0,88 mm

14 TÕRKEOTSING

Probleem	Võimalikud põhjused	Lahendused
Kuumust pole piisavalt	<ul style="list-style-type: none"> • Gaasitoide ei ole avatud • Venturi torud ei paikne gaasiventillide avade kohal • Põleti avad ummistunud • Gaasiballoon (peaaegu) tühi • Rõhuregulaator ei ole õigesti ballooni ja/või voolikuga ühendatud 	<ul style="list-style-type: none"> • Avage gaasitoide • Paigutage Venturi torud gaasiventillide avade kohale • Puhastage gaasipõleti avad või asendage põletid • Asendage gaasiballoon • Ühendage rõhuregulaator uuesti ballooni ja/või voolikuga
Liigne kuumus ja/või lahvatused	<ul style="list-style-type: none"> • Toit on liiga rasvane • Rasva äravooluauk ummistunud, rasv kausis ja/või rasv põletitel • Põleti katted ei ole korrektselt paigaldatud • Temperatuur on liiga kõrge 	<ul style="list-style-type: none"> • Eemaldage liigne rasv ja seadistage põletid madalale kuumusele • Puhastage rasva äravooluava, kauss ja põletid • Paigaldage põleti katted korrektselt • Seadistage põletid madalamale temperatuurile ja/või grillige toitu kaudselt
Kuumus ei ole ühtlaselt üle grillimispinna jaotunud	<p>Mõningased kuumuse erinevused on tavapärane, vaadake "11.6 Kuumuse optimaalne kasutamine" ja "11.7 Kuumuspiirkondade eeliste kasutamine".</p> <p>Võimalikud suure kuumuse erinevuse põhjused:</p> <ul style="list-style-type: none"> • Põleti katted ei ole korrektselt paigaldatud • seade ei ole eelkuumutatud. 	<ul style="list-style-type: none"> • Paigaldage põleti katted korrektselt • Eelsoojendage seade
Kollased leegid	<ul style="list-style-type: none"> • Põletid või Venturi torud ummistunud • Sool põletitel • Seade on ühendatud butaaniga 	<ul style="list-style-type: none"> • Puhastage põletid ja Venturi torud • Puhastage põletid • Ühendage seade propaniga, kasutades sobivat rõhuregulaatorit
Osaline leek	Põleti ummistunud, auklik või roostetanud	Puhastage või asendage põletid
Tagasilöögileegid (leegid Venturi torudest väljas / juhtnuppudel)	Põletid või Venturi torud ummistunud	<ol style="list-style-type: none"> 1 Sulgege gaasitoide ja viige põletid asendisse OFF 2 Laske seadmehel maha jahtuda 3 Puhastage põletid ja Venturi torud.
Leegid on kausi servast kõrgemal	<ul style="list-style-type: none"> • Liiga tuuline • Gaasiballoon (peaaegu) tühi • Kausis ja/või põletitel on rasv 	<ul style="list-style-type: none"> • Paigutage seade nii, et tagaosas oleks tuule suunas • Asendage gaasiballoon • Puhastage kauss, põletid ja asendage Leaf®
Rõhuregulaator viliseb	<ul style="list-style-type: none"> • Kuum ilm • Uus (täis) gaasiballoon 	Ei ole oht ega viga. Peaks lõppema mõne aja pärast automaatselt
Põleti vilistab, kui viidud asendisse LOW	Gaasiinjektor, Venturi toru ja/või põleti määrdunud	Puhastage gaasiinjektor, Venturi toru ja põleti
Põletit ei ole võimalik süüdata (süütajaga või tikuga)	<ul style="list-style-type: none"> • Põleti või Venturi toru ummistunud • Puudub gaasitoide 	<ul style="list-style-type: none"> • Puhastage põleti ja Venturi toru • Avage gaasitoide ja vajutage rõhuregulaatori turvanupule (ei ole kõikidel regulaatoritel)
Põletit ei ole võimalik süütajaga süüdata	<ul style="list-style-type: none"> • Aku ei ole paigaldatud või aku on valesti paigaldatud • Põleti juhtmed ei ole korrektselt paigaldatud • Kahjustunud elektrood • Vigane maandus • Vigane süütaja 	<ul style="list-style-type: none"> • Paigaldage (uuesti) aku nii, et klemmid oleksid õigesti suunatud • Kontrollige ja ühendage kõik süütaja ühendused uuesti • Asendage elektrood • Kontrollige ja paigaldage uuesti elektroodid, põletid ja süütaja • Asendage süütaja
Süütaja vajutamisel ei teki sädemeid ega heli	<ul style="list-style-type: none"> • Aku ei ole paigaldatud või aku on valesti paigaldatud • Tühi aku • Süütaja nupp ei ole korrektselt paigaldatud • Vigane sädemegeneraator 	<ul style="list-style-type: none"> • Paigaldage (uuesti) aku nii, et klemmid oleksid õigesti suunatud • Asendage aku • Paigaldage tagasi süütaja nupp • Asendage sädemegeneraator

Probleem	Võimalikud põhjused	Lahendused
Süütaja vajutamisel tekib heli (aga ei teki sädemeid)	<ul style="list-style-type: none"> • Vigane maandus • Põleti ja elektroodid on üksteisest liiga kaugel 	<ul style="list-style-type: none"> • Ühendage uuesti sädemegeneraator ja elektroodid • Väänake kergelt elektroodi, et viia see põletile lähemale
Esineb sädemeid, mis ei pärine põletitest	Vigased juhtmed	Asendage juhtmed
Sädemed on olemas, kuid mitte kõikidel elektroodidel ja/või ei ole liiga võimsad	<ul style="list-style-type: none"> • Vigane maandus • Aku tühjenemas • Märjad või purunenud elektroodid 	<ul style="list-style-type: none"> • Ühendage uuesti sädemegeneraator ja elektroodid • Asendage aku • Kuivatage elektroodid paberkäterätiga või asendage

LT – NAUDOTOJO VADOVAS

1	Užregistruokite savo prietaisą.....	282	10	Naudingi patarimai ir gudrybės.....	288
2	Apie šį vadovą.....	282		• Prietaiso įkaitinimas	288
3	Svarbūs saugos nurodymai.....	282		• Kad maistas neprisviltų	288
	• Perskaitykite nurodymus ir jų laikykitės.....	282		• Tiesioginis ir netiesioginis kepimas	288
	• Būkite atsargūs su dujomis	282		• Kepimas uždengus dangtį.....	288
	• Pasirinkite tinkamą vietą.....	282		• Maisto temperatūros stebėjimas	289
	• Pasitelkite sveiką nuovoką	282		• Optimalus karščio išnaudojimas	289
4	Pasikartojančios sąvokos.....	282		• Kaitros zonų išnaudojimas	289
	• „Venturi“ vamzdeliai.....	282		• Kaip išvengti liepsnos šokčiojimų	289
	• Degiklių gaubtai.....	283	11	Prietaiso priežiūra	290
	• Emalis.....	283		• Grotelių valymas.....	290
	• Liepsnos šokčiojimai	283		• Taurės valymas.....	290
5	Prietaiso surinkimas	283		• Degiklių ir „Venturi“ vamzdelių valymas	290
	• Saugos nurodymai	283		• Emalio, nerūdijančio plieno ir miltelinio būdu dažytų dalių priežiūra	291
	• Norint surinkti prietaisą.....	283		• Prietaiso laikymas	291
6	Dujų prijungimas prie prietaiso.....	283		• Dujų balionų laikymas	291
	• Kokio baliono, žarnos ir regulatoriaus reikia?	283		• Atsarginių dalių užsakymas.....	291
	• Saugos nurodymai	284	12	Garantija.....	291
	• Žarnos prijungimas prie prietaiso.....	284		• Garantijos taikymas.....	291
	• Žarnos ir baliono prijungimas prie regulatoriaus	284		• Garantijos netaikymas.....	292
	• Baliono keitimas	285	13	Techniniai duomenys	292
7	Dujų nuotėkio tikrinimas.....	285		• Techninių duomenų etiketė	292
	• Kodėl reikia tikrinti, ar nėra dujų nuotėkio?	285		• Purkštuvų matmenys.....	292
	• Kada reikia tikrinti, ar nėra dujų nuotėkio?	285	14	Problemų sprendimas.....	293
	• Saugos nurodymai	285			
	• Kokių priemonių reikia?	285			
	• Norint patikrinti, ar nėra dujų nuotėkio	285			
	• Dujų nuotėkio atveju.....	286			
8	Prietaiso paruošimas naudoti.....	286			
	• Prieš kiekvieną naudojimą.....	286			
	• Prieš naudojant pirmą kartą (arba po ilgos pertraukos) ..	286			
	• Prietaiso nudeginimas	286			
9	Degiklių uždegimas	286			
	• Saugos nurodymai	286			
	• Pagrindinių degiklių uždegimas.....	287			
	• Pasikartojančios sąvokos.....	282			
	• Degiklių užgesinimas.....	288			
	• Degiklių uždegimas iš naujo	288			
	• Liepsnos tikrinimas.....	288			


1 UŽREGISTRUOKITE SAVO PRIETAISĄ

Dėkojame, kad įsigijote „Barbecook“ prietaisą! Neabejojame, kad jis suteiks jums daug malonių akimirų kepant ant kepsninės.

Kad jūsų įspūdžiai naudojant mūsų prietaisą būtų dar geresni, užregistruokite jį adresu www.barbecook.com. Tai užtrunka tik kelias minutes, o jums atneša tokią naudą:

- Gaunate asmeninį aptarnavimą po įsigijimo. Tai jums leidžia, pavyzdžiui, greitai rasti atsargines dalis jūsų prietaisui ar gauti naudos iš optimalios garantinės priežiūros.
- Galime jus informuoti apie įdomius gaminių atnaujinimus ir nukreipti į gaminio informaciją ir specifikacijas, tinkančias jūsų prietaisui.

 Daugiau informacijos, kaip užregistruoti prietaisą, galite rasti adresu www.barbecook.com.

 „Barbecook“ gerbia jūsų privatumą. Jūsų duomenys nebus parduoti, išplatinti ar pasidalyti su trečiosiomis šalimis.

2 APIE ŠĮ VADOVĄ


Šis vadovas sudaro dvi dalys:

- Kaip tik dabar skaitote pirmą dalį. Joje yra jūsų prietaiso surinkimo, naudojimo ir priežiūros nurodymai.
- Antra dalis prasideda 379 psl. Joje yra įvairios šiame vadove aprašytų prietaisų iliustracijos (išskaidyti vaizdai, surinkimo brėžiniai, techninių duomenų etiketės).

3 SVARBŪS SAUGOS NURODYMAI

3.1 Perskaitykite nurodymus ir jų laikykitės


Prieš pradėdami naudoti prietaisą perskaitykite nurodymus. Visada atidžiai jų laikykitės. Surinkus arba naudojant prietaisą ne pagal nurodymus gali būti sukeltas gaisras arba padaryta žala turtui.

 Jei dėl nurodymų nesilaikymo (netinkamai surikus, naudojant, nepakankamai prižiūrint) atsiranda pažeidimų, tokiems pažeidimams garantija netaikoma.

3.2 Būkite atsargūs su dujomis

Dirbti su dujomis yra visiškai saugu, tačiau būtinas tam tikras atsargumas:

- Visada dujų balionus laikykite lauke, gerai vėdinamoje vietoje. Užtikrinkite, kad jų neveiks pernelyg aukšta temperatūra ar tiesioginiai saulės spinduliai.
- Niekada nelaikykite dujų baliono ar atsarginio dujų baliono prietaiso spintoje.
- Naudojamą dujų balioną pastatykite į baliono vežimėlį prietaiso šone.
- Niekada nelaikykite atsarginio dujų baliono šalia naudojamo prietaiso.
- Po naudojimo visada užsukite dujų baliono čiaupą.
- Niekada nerūkykite prie naudojamo dujinio prietaiso arba dujų baliono (pilno ar tuščio).

 Jei užuodžiate dujas, nedelsdami užsukite dujų tiekimą, užgesinkite visas liepsnas ir atidenkite prietaiso dangtį. Jei kvapas nedingsta, skambinkite dujų tiekėjui ar priešgaisrinei tarnybai.

3.3 Pasirinkite tinkamą vietą

Prietaisą naudokite tik lauke. Naudojant patalpose, net garaže arba stoginėje, galima apsinuodyti smalkėmis.

Pasirinkdami vietą lauke, visada:

- Pastatykite prietaisą bent trijų metrų atstumu nuo statinio, atviroje ir gerai vėdinamoje vietoje.
- Įsitinkinkite, kad oras visada gali netrukdomas patekti prie degiklių ir cirkuliuoti per vėdinimo angas spintoje.
- Žiūrėkite, kad prietaisas nebūtų pastatytas po išsikišusia konstrukcija (prieangyje, pastogėje ir pan.) ar po lapija.
- Pastatykite prietaisą ant tvirto ir stabilaus paviršiaus. Niekada nestatykite jo judančioje transporto priemonėje (valtyje, priekaboje ar pan.).

3.4 Pasitelkite sveiką nuovoką

Naudodami prietaisą, visada pasitelkite sveiką nuovoką:

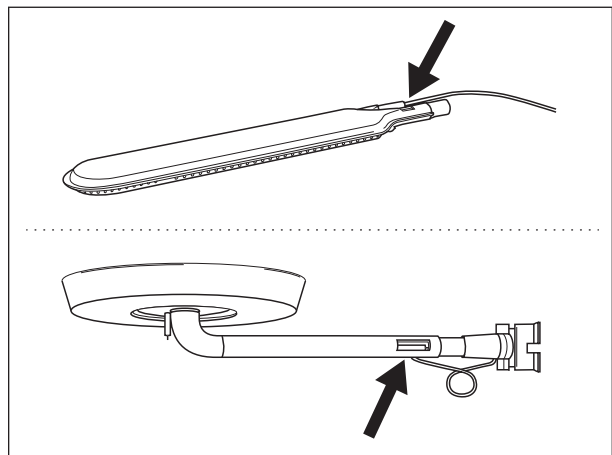
- Naudokite tik lauke.
- Nejudinkite naudojamo prietaiso.
- Nepalikite naudojamo prietaiso be priežiūros, ypač jei yra vaikų ir gyvūnų.
- ĮSPĖJIMAS! Kai kurios pasiekiamos dalys gali būti labai karštos. Laikykite mažus vaikus atokiau.
- Dirbdami su karštomis dalimis (dangčiu, grotelėmis ir kt.) naudokite tinkamas apsaugos priemones.
- Naudojamas prietaisas turi būti atokiau nuo degiųjų medžiagų.
- Laikykite degiąsias medžiagas, degiuosius skysčius ir išsilydančius daiktus atokiau nuo naudojamo prietaiso.
- Ant dujinio prietaiso nedėkite malkų, anglių, lavos akmenų ar keraminių briketų.
- Nenaudokite prietaiso pavartoję alkoholio ar narkotikų.
- Nekeiskite prietaiso.

4 PASIKARTOJANČIOS SĄVOKOS

Šioje dalyje apibūdintos kai kurios mažiau žinomos sąvokos. Šios sąvokos vartojamos keliose vadovo temose.

4.1 „Venturi“ vamzdeliai

„Venturi“ – tai maži vamzdeliai, prijungti prie įleidimo į degiklius. „Venturi“ vamzdelių šone yra kiaurymė. Ji matoma pagrindiniuose degikliuose ir šoniniame degiklyje:



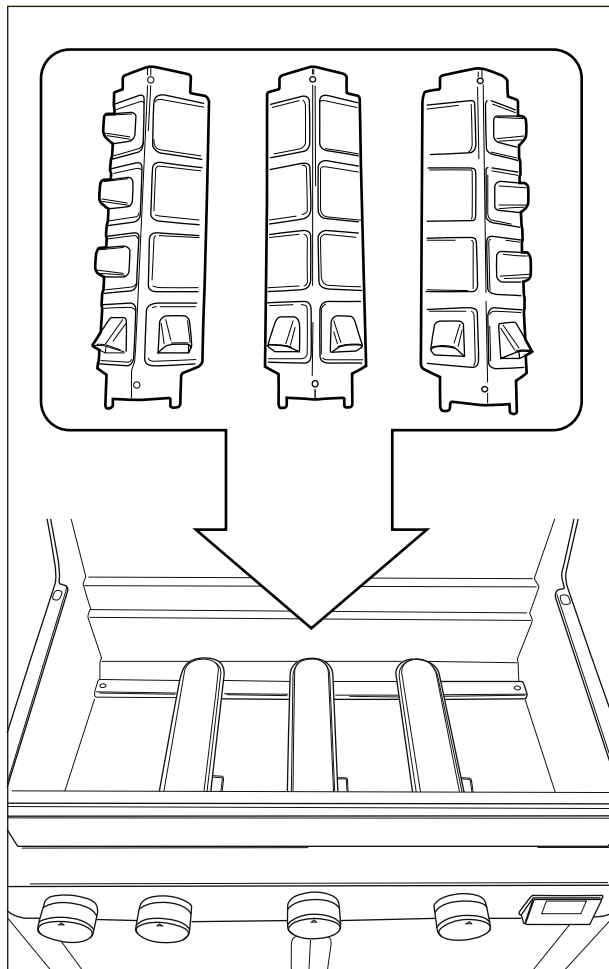
Į degiklius tekančios dujos praeina per „Venturi“ vamzdelius. Dėl šonuose esančių kiaurymių dujos susimaišo su oru, todėl ir su deguonimi. Tai būtina, kad degikliai gerai degtų: tik reikiamos sudėties dujų ir deguonies mišinys gerai užsidega ir dega gražia liepsna.

4.2 Degiklių gaubtai

Degiklių gaubtai montuojami virš jūsų prietaiso degiklių. Jie saugo degiklius nuo lašančių riebalų ir yra esminė „Turbo Heating System“ dalis. Dengtos angos gaubtų šonuose paskirsto kaitrą virš grotelių, todėl jos įkaista greičiau ir tolygiau.



Surinkdami prietaisą, į degiklių gaubtus atkreipkite itin didelį dėmesį. „Turbo Heating System“ gali tinkamai veikti, tik jei kiekvienas gaubtas uždėtas ant reikiamo degiklio.



4.3 Emalis

Kai kurios prietaiso dalys padengtos lydyto stiklo sluoksniu, vadinamu emaliu. Emalis saugo po juo esantį metalą nuo korozijos. Emalis yra aukštos kokybės medžiaga: jis atsparus rūdims, neblunka veikiant aukštai temperatūrai ir jį labai lengva prižiūrėti.



Kadangi emalis mažiau lankstus už metalą, kurį jis dengia, neteisingai naudojant šį prietaisą emalio gabalai gali atšokti. Kad išvengtumėte problemų, būkite atidūs surinkdami emaliuotas dalis ir visada prižiūrėkite emalį, kaip toliau aprašyta šiame vadove.

4.4 Liepsnos šokčiojimai

Tvykstelėjimai yra staigios liepsnos, kurios tvyksteli taurėje kepimo metu. Paprastai jos atsiranda lašant riebalams arba marinatui.

5 PRIETAISO SURINKIMAS

5.1 Saugos nurodymai

- Surinkdami prietaisą jo nekeiskite. Dalis, kurias surinko ir (arba) užsandarino gamintojas, keisti labai pavojinga ir to daryti negalima.
- Visada atidžiai laikykitės surinkimo nurodymų.
- Naudotojas privalo teisingai surinkti prietaisą. Dėl neteisingo surinkimo patirtai žalai garantija netaikoma.

5.2 Norint surinkti prietaisą

Jums reikės kryžminio atsuktuvo, plokščio atsuktuvo ir AA tipo baterijos (elektroninei uždegimo sistemai). Jei jūsų prietaisas turi iešmo degiklį, jums dar reikės dviejų D tipo baterijų (iešmo degiklio varikliui). Baterijos netiekiamos su prietaisu.

- 1 Pastatykite prietaisą ant lygaus ir švaraus paviršiaus.
- 2 Surinkite prietaisą, kaip parodyta surinkimo brėžiniuose. Juos rasite antroje vadovo dalyje, po išskaidyto jūsų prietaiso vaizdo.



Būkite atsargūs surinkdami emaliuotas dalis. Įrankiais ir varžtais galite pažeisti emalį. Naudokite pateiktus veltinio tarpiklius, kurie apsaugos emalį ties aplink varžtus.



Lizdinėse pakuotėse gali būti daugiau varžtų, nei reikia. Surinkus prietaisą, gali likti varžtų.

6 DUJŲ PRIJUNGIMAS PRIE PRIETAISO

6.1 Kokio baliono, žarnos ir reguliatoriaus reikia?

Kad prie prietaiso galėtumėte prijungti dujas, turite įsigyti dujų balioną, žarną ir reguliatorių. Visada pirkime medžiagas ir reikmenis, atitinkančius vietos standartus ir jūsų prietaisui nurodytą dujų tipą ir vardinį slėgį.

Lentelėje toliau nurodyta, kokį balioną, žarną ir reguliatorių reikia naudoti. Pavyzdžiui, Belgijoje (BE) reikia naudoti propano balioną su žarna ir 37 mbar reguliatoriumi arba butano balioną su žarna ir 28–30 mbar reguliatoriumi.

Šalis	Balionas, žarna ir reguliatorius
DK, GR, NO, SE, EE, LT, LV, CZ, PL, MT, HU, SI, SK	Propanas, 30 mbar / butanas, 30 mbar
ES, GB, IE, PT, BE, FR, LU, IT	Propanas, 37 mbar / butanas, 28–30 mbar
NL	Propanas, 30 arba 50 mbar / butanas, 30 mbar
CY	Propanas, 30 arba 37 mbar / butanas, 28–30 mbar



Rekomenduojame prietaisui naudoti propano dujas. Propanas užtikrina aukštos kokybės degimą ir yra mažiau jautrus šalčiui.



Slėgio reguliatorių pirkiu kartu su dujų balionu. Ne visi reguliatoriai tinka kiekvienam balionui.


6.2 Saugos nurodymai

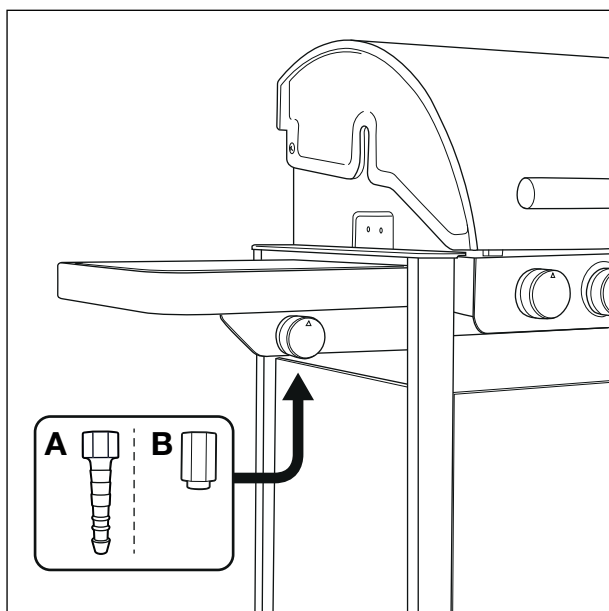
- Niekada nejunkite baliono tiesiai prie prietaiso. Visada pirma sumontuokite slėgio reguliatorių.
- Niekada nekeiskite jau surinktų arba užsandarintų baliono, žarnos ar slėgio reguliatoriaus dalių.
- Žarna turi būti kaip įmanoma trumpesnė (daugiausia 500 - 650 mm), kad nesivilkėtų žeme.
- Jungdami balioną, žarną ir slėgio reguliatorių:
 - Niekada nedeformuokite žarnos.
 - Visada balioną laikykite stačią.
 - Niekada neatsukite dujų.
- Kaskart kaip nors pakeitę dujų prijungimą patikrinkite, ar nėra nuotėkio. Žr. "7 Dujų nuotėkio tikrinimas".

6.3 Žarnos prijungimas prie prietaiso

Norint prie prietaiso prijungti žarną, reikia ant prietaiso dujų vamzdžio sumontuoti sąvaržą. Prietaisas tiekiamas su dviem sąvaržomis, skirtomis atitinkamoms šalims:

Šalis	Sąvaržą
BE, CH, CZ, DK, ES, FI, GB, IE, IT, PT, SI	A mova
FR	B mova

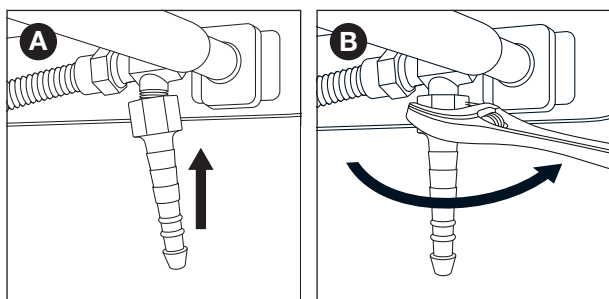
 Jei jūsų šalies nėra lentelėje, naudokite sąvaržą, atitinkančią jūsų šalies standartus.



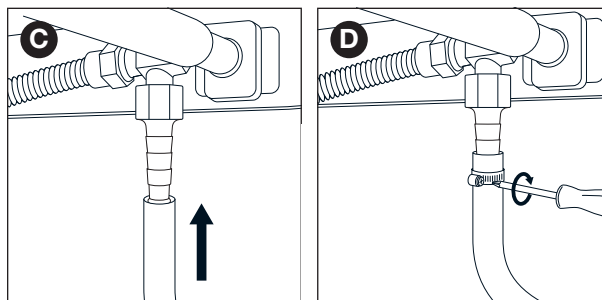
6.3.1 A MOVA

Reikia 19 mm veržliarakčio ir kryžminio atsuktuvo.

- 1 Užsukite movą ant prietaiso dujų vamzdžio (A) ir užveržkite 19 mm veržliarakčiu (B).



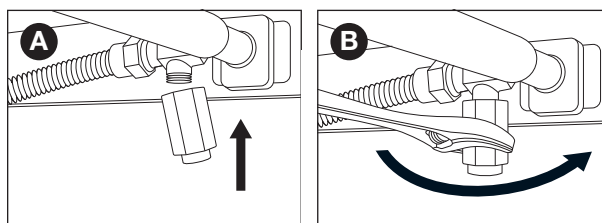
- 2 Užmaukite žarną ant movos (C) ir kryžminiu atsuktuvu užveržkite sąvaržą (D).



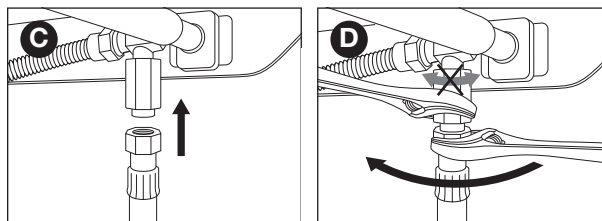
6.3.2 B MOVA

Reikia 22 mm veržliarakčio ir reguliuojamo veržliarakčio.

- 1 Užsukite movą ant prietaiso dujų vamzdžio (A) ir užveržkite 22 mm veržliarakčiu (B).



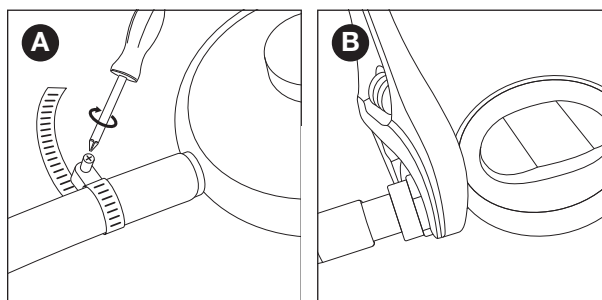
- 2 Užsukite dujų žarną ant movos (C) ir užveržkite dviem veržliarakčiais. Laikykite movą 22 mm veržliarakčiu, sukdami žarną reguliuojamu veržliarakčiu (D).



6.4 Žarnos ir baliono prijungimas prie reguliatoriaus

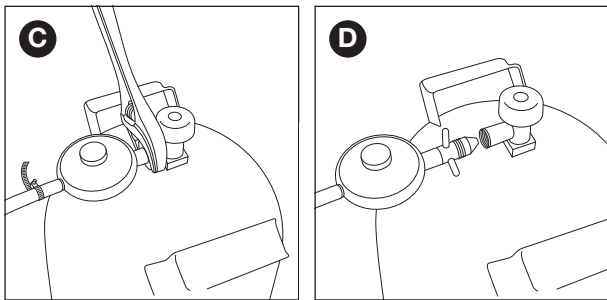
Priklausomai nuo jūsų naudojamo slėgio reguliatoriaus, jums reikės kryžminio atsuktuvo ir (arba) reguliuojamo veržliarakčio.

- 1 Prijunkite žarną prie slėgio reguliatoriaus. Atlikite vieną iš šių veiksmų:
 - Jei žarna turi sąvaržą, užmaukite žarną ant reguliatoriaus ir kryžminiu atsuktuvu užveržkite sąvaržą (A).
 - Jei žarna turi veržlę, užsukite žarną ant reguliatoriaus ir reguliuojamu veržliarakčiu užveržkite veržlę (B).



- 2 Prijunkite slėgio reguliatorių prie dujų baliono. Atlikite vieną iš šių veiksmų:
 - Jei reguliatorius turi veržlę, užsukite reguliatorių ant baliono sukdami laikrodžio rodyklės kryptimi ir reguliuojamu veržliarakčiu užveržkite veržlę (C).

- Jei reguliatorius turi sriegį, užsukite reguliatorių ant baliono sukdami prieš laikrodžio rodyklę (D).



6.5 Baliono keitimas

- 1 Užsukite dujų tiekimą ir visas valdymo rankenėles pasukite į padėtį OFF (išjungta).
- 2 Atjunkite tuščią balioną ir prijunkite pilną.
- 3 Patikrinkite balioną, žarną ir visas dujų jungtis, ar nėra nuotėkio. Žr. "7 Dujų nuotėkio tikrinimas".

7 DUJŲ NUOTĖKIO TIKRINIMAS

7.1 Kodėl reikia tikrinti, ar nėra dujų nuotėkio?

Propanas ir butanas yra sunkesnės už orą dujos. Todėl ištekėjusios iš prietaiso jos neišsisklaido. Ypač dienomis, kai nėra vėjo, dėl nuotėkio dujos gali kauptis prietaise ir aplink jį. Susikaupusios dujos gali užsiliepsnoti ir sprogti.

7.2 Kada reikia tikrinti, ar nėra dujų nuotėkio?

- Prieš naudojant pirmą kartą arba prieš naudojant po ilgos pertraukos.
- ⚠ Jei jūsų prietaisą surinko platintojas, taip pat patikrinkite, ar nėra dujų nuotėkio.
- Kaskart pakeitus dujinės dalies komponentą.
- Bent kartą per metus, pageidautina sezono pradžioje.

7.3 Saugos nurodymai

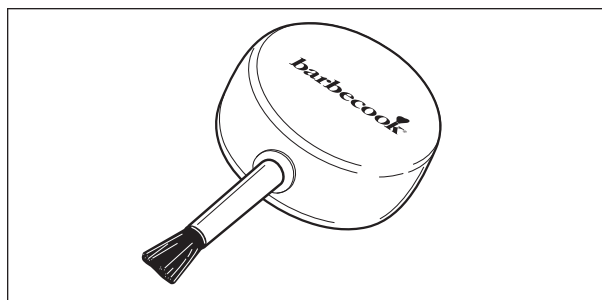
- Pastatykite prietaisą lauke, gerai vėdinamoje vietoje. Žiūrėkite, kad netoliese nebūtų liepsnos ar šilumos šaltinių.
- Niekada nenaudokite žiebtuvėlio ar degtuko, norėdami rasti dujų nuotėkį.
- Tikrindami dėl dujų nuotėkio niekada nerūkykite ir neuždekite degiklių.

7.4 Kokių priemonių reikia?

Norint patikrinti, ar nėra dujų nuotėkio, jums reikės:

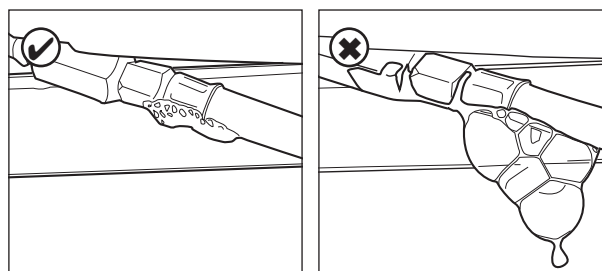
- Bandomojo skysčio. Galite naudoti jau paruoštą nuotėkio purškalą arba vandens (50 %) ir indų ploviklio (50 %) mišinį.

- Su prietaisu tiekiamo nuotėkio bandymo įrankio. Jis naudojamas bandomajam skysčiui įsiurbti ir užtepti ant dujų komponento arba jungties, kurią norite patikrinti.



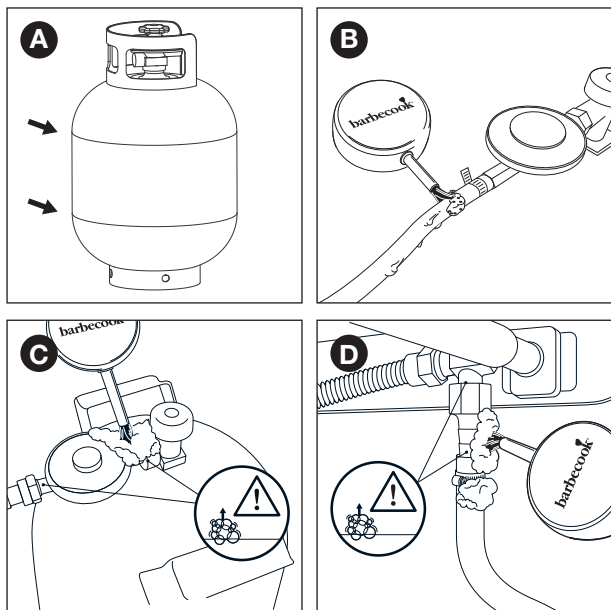
7.5 Norint patikrinti, ar nėra dujų nuotėkio

Ar nėra dujų nuotėkio, tikrinama ant visų dujinės dalies komponentų ir jungčių užtepant bandomojo skysčio. Jei ant kurio nors komponento arba jungties atsiranda burbuliukų, yra dujų nuotėkis:



Norėdami patikrinti, ar nėra dujų nuotėkio, atlikite šiuos veiksmus:

- 1 Išneškite prietaisą į lauką.
- 2 Pasiruoškite nuotėkio bandymo įrankį ir bandomąjį skystį (nuotėkio purškalą arba vandens ir muilo mišinį).
- 3 Atidėkite dangtį ir visas valdymo rankenėles pasukite į padėtį OFF (išjungta).
- 4 Šiek tiek atsukite dujų tiekimą. Dujų baliono čiaupą pasukite tik vieną kartą.
- 5 Įsiurbkite šiek tiek bandomojo skysčio nuotėkio bandymo įrankiu ir užtepkite vietoje, kurią norite patikrinti. Turite patikrinti:
 - Dujų baliono virintines siūles (A)
 - Žarną (B)
 - Jungtis tarp baliono ir slėgio reguliatoriaus ir tarp slėgio reguliatoriaus ir žarnos (C)
 - Žarnos ir prietaiso jungtį (D)



i Jūsų slėgio reguliatorius ir mova gali skirtis nuo pateiktų iliustracijose.

6 Atlikite vieną iš šių veiksmų:

- Jei aptikote nuotėkį, toliau veikite, kaip aprašyta skyriuje „Dujų nuotėkio atveju“.
- Jei dujų nuotėkio nėra, užsukite dujų tiekimą, visus komponentus kruopščiai nuskalaukite vandeniu ir gerai nusausinkite.

7.6 Dujų nuotėkio atveju

1 Užsukite dujų tiekimą ir atlikite vieną iš šių veiksmų:

- Jei aptikote vienos iš jungčių dujų nuotėkį, užveržkite tą jungtį.
- Jei aptikote baliono arba žarnos dujų nuotėkį, pakeiskite balioną arba žarną.

2 Dar kartą patikrinkite jungtį ar komponentą, kuriame buvot aptikę nuotėkį.

3 Jei nuotėkis nedingo, susisieki su „Barbecook“ platintoju. Nenaudokite prietaiso, kol nepašalinsite nuotėkio.

i „Barbecook“ platintoju, esančiu netoli nuo jūsų gyvenamosios vietos, sąrašą rasite adresu www.barbecook.com.

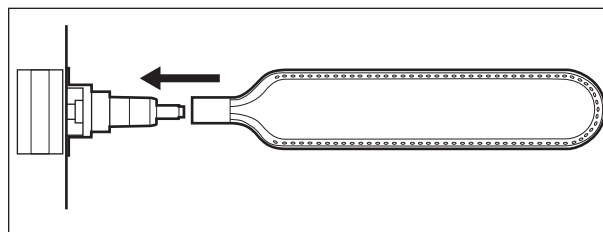
8 PRIETAISO PARUOŠIMAS NAUDOTI

8.1 Prieš kiekvieną naudojimą

Kaskart naudodami prietaisą, būtinai įsitikinkite, kad:

- Prietaisas yra tinkamoje vietoje. Žr. „3.3 Pasirinkite tinkamą vietą“.
- Dujų žarna nesivelka žeme ir negali prisiliesti prie karšto paviršiaus ar lašančių riebalų.
- Taurė švari. Mes rekomenduojame prieš kiekvieną naudojimą į taurę įdėti naują foliją „Leaf®“. Žr. „11.2 Taurės valymas“.
- Degiklių ir „Venturi“ vamzdelių neužkimšo vabzdžių lizdai ir voratinkliai. Žr. „11.3 Degiklių ir „Venturi“ vamzdelių valymas“.
- Prietaisas tinkamai surinktas. Ypač atkreipkite dėmesį į:
 - Degiklių gaubtus. Kiekvienas gaubtas turi būti uždėtas ant reikiamo degiklio. Žr. „4.2 Degiklių gaubtai“.

- Degiklių „Venturi“ vamzdelius. Jie turi būti įstatyti į dujų vožtuvų kiaurymes.



i Jei norite būti visiškai tikri, kad visos prietaiso dujinės dalies jungtys tvarkingos, prieš kiekvieną naudojimą galite patikrinti, ar nėra dujų nuotėkio. Žr. „7 Dujų nuotėkio tikrinimas“.

8.2 Prieš naudojant pirmą kartą (arba po ilgos pertraukos)

Jei prietaisą naudojate pirmą kartą arba po ilgos pertraukos, turite atlikti keletą papildomų patikrinimų:

- Būtinai perskaitykite visus šiame vadove išdėstytus nurodymus, įsitikinkite, kad juos supratote, ir patikrinkite viską, kas nurodyta (tik prieš naudojant pirmą kartą).
- Patikrinkite, ar prietaise nėra dujų nuotėkio. Žr. „7 Dujų nuotėkio tikrinimas“.



Jei jūsų prietaisą surinko platintojas, taip pat patikrinkite, ar nėra dujų nuotėkio.

- Išvalykite degiklius ir „Venturi“ vamzdelius (tik naudodami po ilgos pertraukos). Žr. „12.3 Degiklių ir „Venturi“ vamzdelių valymas“.
- Prieš dėdami maistą nudeginkite prietaisą (tik prieš naudojant pirmą kartą). Žr. „8.3 Prietaiso nudeginimas“.

8.3 Prietaiso nudeginimas

Nudegindami prietaisą prieš naudojimą pirmą kartą, nuo jo pašalinate likusius gamybos tepalus. Veiksmus atlikite tokia tvarka:

- 1 Uždekite pagrindinius degiklius ir valdymo rankenėles pasukite į padėtį HIGH (didelė liepsna). Žr. „9.2 Pagrindinių degiklių uždegimas“.
- 2 Uždenkite dangtį ir palikite prietaisą degti 15 minučių. Dar nedėkite maisto grotelių.
- 3 Po 15 minučių atidenkite dangtį ir leiskite prietaisui degti dar 5 minutes (valdymo rankenėlės vis dar turi būti nustatytos ties padėtimi HIGH).
- 4 Praėjus 5 minutėms, prietaisas paruoštas naudoti. Dabar ant grotelių galima dėti maistą.

9 DEGIKLIŲ UŽDEGIMAS

i Norėdami degiklius uždegti elektronine uždegimo sistema, į ją turite įdėti AA tipo bateriją. Ši baterija netiekama su prietaisu. Elektroninės uždegimo sistemos baterijos skyrelis yra prietaiso spintoje.


9.1 Saugos nurodymai

- Prieš uždegdami prietaisą, atlikite visus skyriuje „8 Prietaiso paruošimas naudoti“ nurodytas patikras.
- Uždegdami degiklį visada laikykite dangtį atidarytą.
- Niekada nesilenkite tiesiogiai virš degiklio, jį uždegdami.

9.2 Pagrindinių degiklių uždegimas

9.2.1 UŽDEGIMO SISTEMOS NAUDOJIMAS

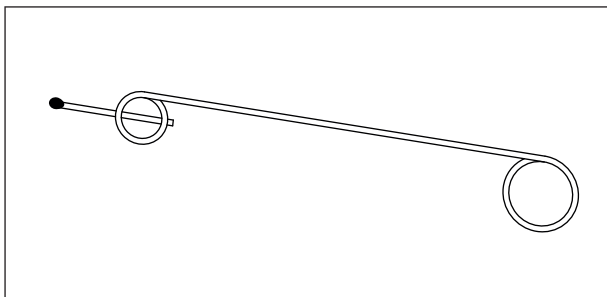
- 1 Atidenkite dangtį ir pagrindinių degiklių valdymo rankenėles pasukite į padėtį OFF (išjungta).
- 2 Jei nedega joks kitas degiklis, atsukite dujų tiekimą ir palaukite dešimt sekundžių. Taip dujos stabilizuosis.
- 3 Įspauskite vieno degiklio valdymo rankenėlę, nustatykite į padėtį HIGH ir šiek tiek ją palaikykite. Įmontuota uždegimo sistema įskels kibirkštis, kurios uždegs degiklį.

 Visada iš pradžių uždekite vieną pagrindinį degiklį. Niekada nedekite visų pagrindinių degiklių vienu metu.

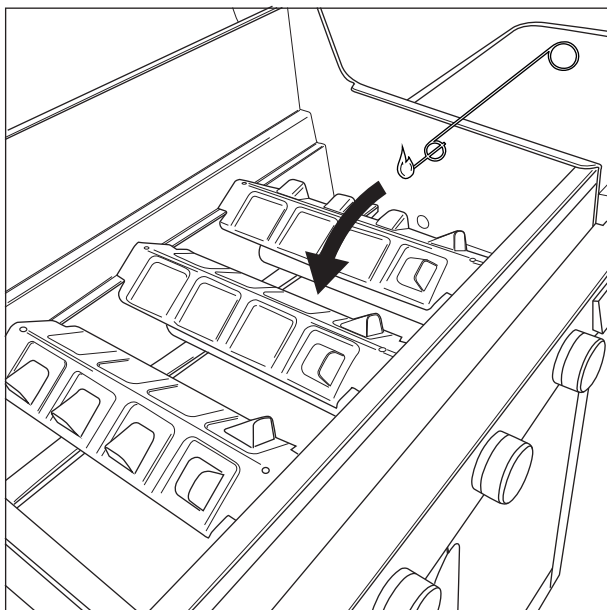
- 4 Jei po trijų bandymų degiklis neužsidega, pasukite jo rankenėlę į padėtį OFF, užsukite dujų tiekimą ir palaukite 5 minutes. Taip išeis visos susikaupusios dujos.
- 5 Pabandykite dar kartą uždegti degiklį. Jei vis tiek neužsidega, pabandykite uždegti degtuku ar žr. "14 Problemų sprendimas", kad galėtumėte nustatyti problemos priežastį.

9.2.2 DEGTUKO NAUDOJIMAS


- 1 Įstatykite degtuką į degtuko laikiklį.



- 2 Atidenkite dangtį ir pagrindinių degiklių valdymo rankenėles pasukite į padėtį OFF (išjungta).
- 3 Jei nedega joks kitas degiklis, atsukite dujų tiekimą ir palaukite dešimt sekundžių. Taip dujos stabilizuosis.
- 4 Uždekite degtuką ir laikykite maždaug 13 mm atstumu nuo degiklio.




- 5 Vieno degiklio valdymo rankenėlę pasukite į padėtį HIGH (didelė liepsna).

 Visada iš pradžių uždekite vieną pagrindinį degiklį. Niekada nedekite visų pagrindinių degiklių vienu metu.

- 6 Jei per 5 sekundes degiklis neužsidega, pasukite jo rankenėlę į padėtį OFF, užsukite dujų tiekimą ir palaukite 5 minutes. Taip išeis visos susikaupusios dujos.

- 7 Pabandykite dar kartą uždegti degiklį. Jei vis tiek neužsidega, žr. "14 Problemų sprendimas", kad galėtumėte nustatyti problemos priežastį.

9.3 Šoninio degiklio uždegimas

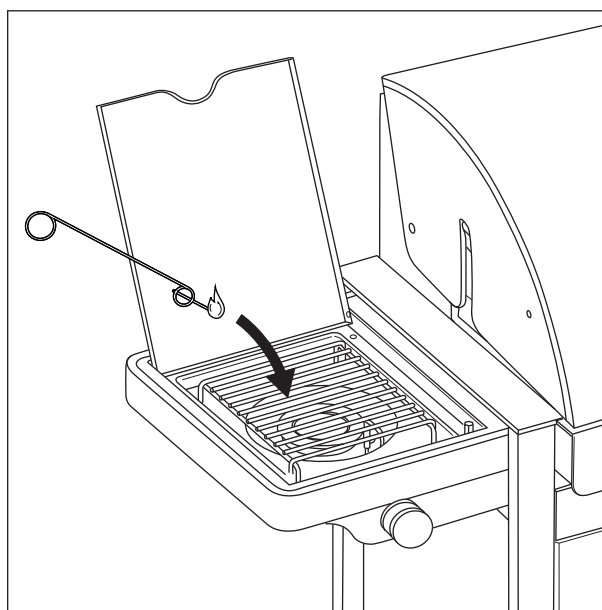
 Ant šoninio degiklio galima statyti tik indus, kurių svoris ne didesnis kaip 9 kg, o skersmuo – ne didesnis kaip 220 mm.

9.3.1 UŽDEGIMO SISTEMOS NAUDOJIMAS

- 1 Atidenkite dangtį ir šoninio degiklio valdymo rankenėlę pasukite į padėtį OFF (išjungta).
- 2 Jei nedega joks kitas degiklis, atsukite dujų tiekimą ir palaukite dešimt sekundžių. Taip dujos stabilizuosis.
- 3 Įspauskite šoninio degiklio valdymo rankenėlę, nustatykite į padėtį HIGH ir šiek tiek ją palaikykite. Įmontuota uždegimo sistema įskels kibirkštis, kurios uždegs šoninį degiklį.
- 4 Jei po trijų bandymų degiklis neužsidega, pasukite jo rankenėlę į padėtį OFF, užsukite dujų tiekimą ir palaukite 5 minutes. Taip išeis visos susikaupusios dujos.
- 5 Pabandykite dar kartą uždegti šoninį degiklį. Jei vis tiek neužsidega, pabandykite uždegti degtuku ar žr. "14 Problemų sprendimas", kad galėtumėte nustatyti problemos priežastį.

9.3.2 DEGTUKO NAUDOJIMAS

- 1 Įstatykite degtuką į degtuko laikiklį.
- 2 Atidenkite dangtį ir šoninio degiklio valdymo rankenėlę pasukite į padėtį OFF (išjungta).
- 3 Jei nedega joks kitas degiklis, atsukite dujų tiekimą ir palaukite dešimt sekundžių. Taip dujos stabilizuosis.
- 4 Uždekite degtuką ir laikykite maždaug 13 mm atstumu nuo šoninio degiklio.



- 5 Šoninio degiklio valdymo rankenėlę pasukite į padėtį HIGH (didelė liepsna).
- 6 Jei per 5 sekundes šoninis degiklis neužsidega, pasukite jo rankenėlę į padėtį OFF, užsukite dujų tiekimą ir palaukite 5 minutes. Taip išeis visos susikaupusios dujos.
- 7 Pabandykite dar kartą uždegti šoninį degiklį. Jei vis tiek neužsidega, žr. "14 Problemų sprendimas", kad galėtumėte nustatyti problemos priežastį.

9.4 Degiklių užgesinimas

Jei degiklių nebenaudojate, juos reikia užgesinti. Veiksmus atlikite tokia tvarka:

- 1 Užsukite dujų tiekimą.
- 2 Degiklių valdymo rankenėles pasukite į padėtį OFF (išjungta).



Pirmiausia užsukdami dujų tiekimą, užtikrinsite, kad prietaise nebeliko dujų.

9.5 Degiklių uždegimas iš naujo

Jeį naudojimo metu degiklis užgęsta, atlikite tokius veiksmus:

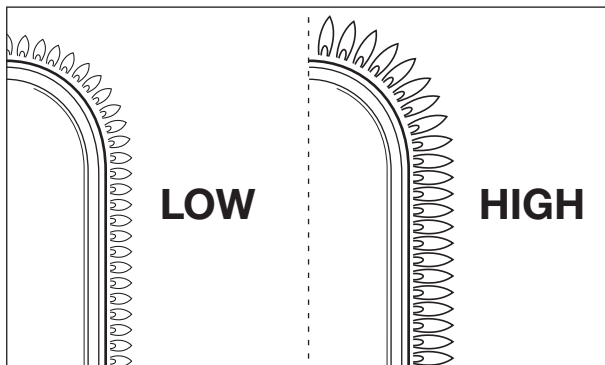
- 1 Atidenkite dangtį ir užsukite dujų tiekimą.
- 2 Visas valdymo rankenėles pasukite į padėtį OFF (išjungta) ir palaukite 5 minutes. Taip išeis visos susikaupusios dujos.
- 3 Vėl uždekte degiklį (-ius).

9.6 Liepsnos tikrinimas

Kaskart uždegus degiklį, reikia patikrinti jo liepsną. Idealu, kai liepsna beveik visiškai mėlyna, su geltonu kraštu viršuje. Pavienės geltonos liepsnos yra normalu ir nepavojinga.

Jeį liepsna ne tokia, kokia turėtų būti, problemą spręskite vienu iš šių būdų:

Jeį liepsna...	Atlikite šiuos veiksmus...
Maža ir visiškai geltona	<ol style="list-style-type: none">1 Nedelsdami užsukite dujų tiekimą ir visas valdymo rankenėles pasukite į padėtį OFF (išjungta).2 Žr. "14 Problemų sprendimas", kad galėtumėte nustatyti problemos priežastį. Greičiausiai užsikimšę „Venturi“ vamzdeliai.
Iškyla virš taurės	<ol style="list-style-type: none">1 Nedelsdami užsukite dujų tiekimą ir visas valdymo rankenėles pasukite į padėtį OFF (išjungta).2 palaukite 5 minutes, kad išeitų visos susikaupusios dujos.3 Vėl uždekte degiklį (-ius).4 Jeį problema išlieka, žr. "14 Problemų sprendimas", kad galėtumėte nustatyti problemos priežastį.



10 NAUDINGI PATARIMAI IR GUDRYBĖS

10.1 Prietaiso įkaitinimas

Įkaitindami prietaisą, užtikrinate, kad grotelės bus pakankamai karštos, kad ant jų būtų galima dėti maistą. Veiksmus atlikite tokia tvarka:

- 1 Uždekte degiklį (-ius) ir valdymo rankenėles pasukite į padėtį HIGH (didelė liepsna).
- 2 Uždenkite dangtį ir palikite prietaisą dešimčiai minučių.
- 3 Po dešimties minučių atidenkite dangtį ir sudėkite maistą ant grotelių.
- 4 Jeį dabar jums reikia mažesnės kaitros, valdymo rankenėlę (-es) pasukite į žemesnę padėtį.

10.2 Kad maistas neprisviltų

Kad maistas neprisviltų prie grotelių:

- Prieš dėdami maistą ant grotelių jį šiek tiek sutepkite aliejumi. Galite sutepti ir pačias grotelles.
- Įkaitinkite prietaisą. Kuo karštesnės grotelės dedant maistą, tuo mažiau maistas prisvils.
- Pernelyg greitai neapverskite maisto. Pirmiausia leiskite jam šiek tiek įkaisti.

10.3 Tiesioginis ir netiesioginis kepimas

Priklausomai nuo jūsų ruošiamo maisto rūšies arba pageidaujama paruošimo būdo, galima kepti tiesiogiai ar netiesiogiai:

Metodas	Aprašymas	Naudokite...
Tiesioginis	Dėkite maistą tiesiai virš degančio degiklio, nustatykite didelę liepsną ir neuždenkite dangčio.	Mėsai ir daržovėms skrudinti
Netiesioginis	Dėkite maistą tiesiai šalia degančio degiklio, nustatykite vidutinę arba mažą liepsną ir uždenkite dangtį.	Toliau kepti paskrudintą mėsą



Kepdami po uždengtu dangčiu visada stebėkite dangčio termometrą, kad prietaisas pernelyg neįkaistų. Žr. "10.5 Maisto temperatūros stebėjimas".

10.4 Kepimas uždengus dangtį

Kepimas uždengus dangtį turi keletą svarbių privalumų:

- Grotelių temperatūra būna aukštesnė ir išlieka pastovesnė.
- Sutrumpėja maisto kepimo laikas, maistas būna sultingesnis.
- Mažiau liepsnos šokčiojimų, mažiau sunaudojama dujų.



Kepdami po uždengtu dangčiu visada stebėkite dangčio termometrą, kad prietaisas pernelyg neįkaistų. Žr. "10.5 Maisto temperatūros stebėjimas".

10.5 Maisto temperatūros stebėjimas

Jūsų prietaisas turi galingus degiklius, todėl jis greitai įkaista ir galima palaikyti pastovią temperatūrą. Tačiau kepdami po uždengtu dangčiu turite užtikrinti, kad prietaisas pernelyg neįkaistų. Stebėkite dangčio termometrą ir atsižvelkite į šias rekomendacijas:

- Įprasta kepsimo temperatūra yra maždaug 210 °C. Esant aukštesnei temperatūrai lašantys ir susirinkę riebalai gali užsidegti.
- Aukštesnė kaip 300 °C temperatūra niekada negali būti ilgiau kaip penkias minutes. Priešingu atveju prietaisas gali būti sugadintas arba deformuotas.



Jeigu prietaisas pernelyg įkaisto, atvėsinkite jį atidengdami

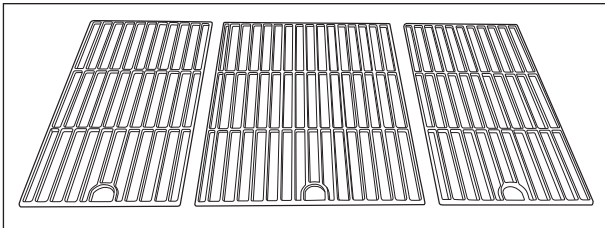
dangtį ir nustatydami mažesnę degiklių liepsną.

10.6 Optimalus karščio išnaudojimas

Centrinė taurės dalis yra karštesnė nei šoninės. Kad galėtumėte išnaudoti visą karščiausios dalies potencialą, prietaisas turi skirtingų dydžių grotelės. Yra:

- Vienerios didelės grotelės, dedamos į taurės centrą.
- Dvejos mažesnės grotelės, dedamos taurės šonuose.

Jeigu taurėje teisingai sudėsite grotelės ir uždegsite visus degiklius, visos centrinės grotelės bus maksimaliai kaitinamos. Taip galite padidinti karščiausią taurės dalį ir optimaliai išnaudoti prietaiso grotelių paviršius.



10.7 Kaitros zonų išnaudojimas

Kai dega visi degikliai, degiklių gaubtai kaip įmanoma tolygiau paskirsto kaitrą virš grotelių. Tačiau kai kurios zonos vis tiek yra karštesnės už kitas. Galite pasinaudoti šiomis kaitros zonomis ir tobulai paruošti savo maistą:

Zona	Karšta?	Naudokite...
Priekinė	Karšta	Lengvam maistui (krevetėms, žuviai...) kepti
Centrinė	Karštesnė	Maistui, kurį reikia kepti ilgiau (pvz., dešrelėms, surištai vištienai...), ruošti
Galinė	Karščiausia	Mėsai ir daržovėms skrudinti



Kaitros zonas galite ir patys sukurti reguliuodami degiklių galingumą. Pavyzdžiui, galite nustatyti mažesnę degiklio liepsną ir virš jo esančioje zonoje kepti lengvesnį maistą arba maistą, kurį reikia ilgiau gaminti.

10.8 Kaip išvengti liepsnos šokčiojimų

Kepant kepsninėje normalu, kad kartais pasitaiko liepsnos šokčiojimų. Tačiau jei liepsna šokčioja per dažnai, gali padidėti prietaiso temperatūra ir užsiliepsnoti susikaupę riebalai. Norėdami išvengti liepsnos šokčiojimų:


- Pradėdami kepti įsitikinkite, kad taurė švari. Mes rekomenduojame prieš kiekvieną naudojimą į taurę įdėti naują foliją „Leaf®“. Žr. „11.2 Taurės valymas“.
- Reguliariai tikrinkite, ar riebalų nutekėjimo anga neužsikimšusi ir ar riebalų lašų surinkimo padėklas ar indelis neužsipildęs.
- Kepdami riebią mėsą, nupjaustykite nereikalingus riebalus, uždenkite dangtį ir nustatykite vidutinę arba mažą degiklių liepsną.

11 PRIETAISO PRIEŽIŪRA

11.1 Grotelių valymas


Mes rekomenduojame po kiekvieno naudojimo grotelles valyti valikliu „Barbecook cleaner“. Veiksmus atlikite tokia tvarka:

- 1 Užpurškite putų ant grotelių ir palikite jas veikti.
Atmirkydamos nešvarumus ir riebalus putos pakeičia spalvą.
- 2 Nuvalykite putas minkšta vandeniu sudrėkinta kempine ir gerai nuplaukite grotelles.
- 3 Kruopščiai nusausinkite grotelles ir laikykite jas sausoje vietoje. Taip neatsiras rūdžių.

 Grotelles galite valyti ir švelnia valymo priemone arba soda. Niekada nevalykite grotelių orkaitių valikliu.

11.2 Taurės valymas

Mes rekomenduojame taurę valyti po kiekvieno naudojimo. Lengviausia tą padaryti, kai prieš pradėdant kepti į taurę įdedamas „Leaf®“. „Leaf®“ – tai folija, idealiai atitinkanti taurę, į kurią susirenka visi likučiai ir riebalai. Kai prietaisas atvėsta, paprasčiausiai išimkite „Leaf®“ – ir taurė švari.

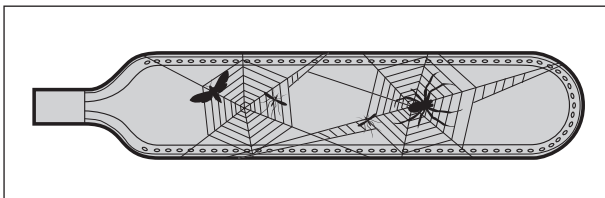
 Užregistruokite savo prietaisą www.barbecook.com ir sužinokite, kokio Leaf® jums reikia.


11.3 Degiklių ir „Venturi“ vamzdelių valymas

11.3.1 KAM VALYTI DEGIKLIUS IR „VENTURI“ VAMZDELIUS?

Vorai ir vabzdžiai degikliuose ir „Venturi“ vamzdeliuose gali primegzti tinklų ir prisidaryti lizdų. Tai gali užblokuoti dujų tiekimą į degiklius. Dėl to:

- Gali nepavykti uždegti degiklių. Jei juos kaip nors uždegsite, jie degs geltona liepsna ir susidarys daug dūmų.
- Dujos gali pradėti degti „Venturi“ vamzdelių išorėje, prie valdymo rankenėlių. Tokios liepsnos vadinamos tvykstelėjimais ir jos gali sukelti sunkių sužalojimų ir stipriai apgadinti prietaisą.



 Dėl užsikimšusių degiklių ir „Venturi“ vamzdelių padaryti pažeidimai laikomi nepakankama priežiūra ir jiems netaikoma garantija.

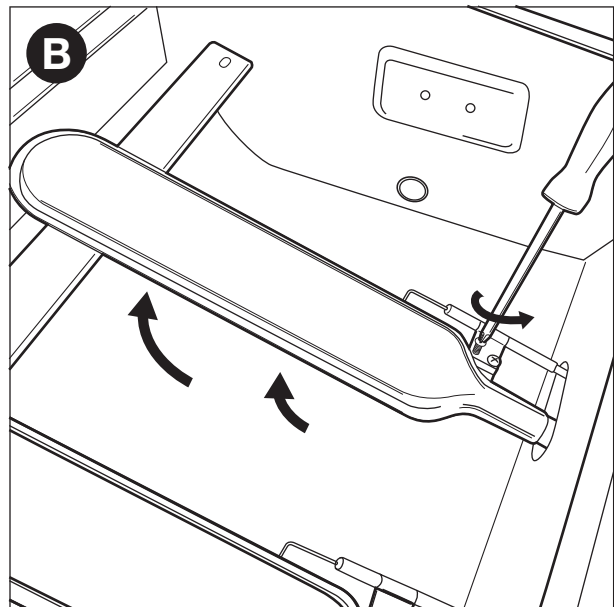
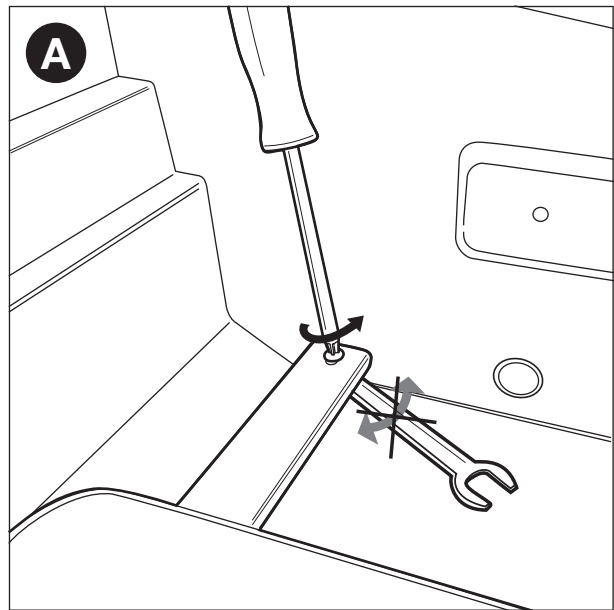
11.3.2 KADA VALYTI DEGIKLIUS IR „VENTURI“ VAMZDELIUS?

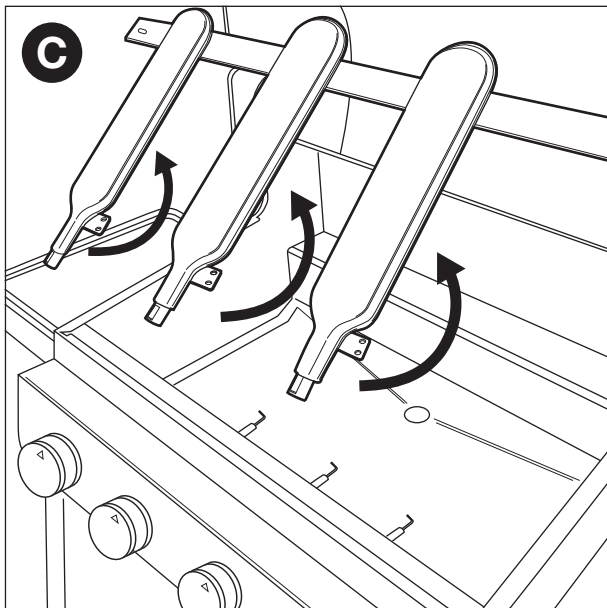
Prietaiso degiklius ir „Venturi“ vamzdelius reikia valyti:

- Prieš naudojant pirmą kartą po ilgos pertraukos.
- Bent du kartus per metus, iš kurių vieną kartą – sezono pradžioje.

11.3.3 NORĖDAMI IŠVALYTI DEGIKLIUS IR „VENTURI“ VAMZDELIUS

- 1 Nuimkite degiklius nuo prietaiso, kaip parodyta iliustracijose. Pastebėjus, kad degiklis pažeistas, jį reikia pakeisti.







- 2 Degiklius ir „Venturi“ vamzdelius valykite mažu šepetėliu ar pačių pasidarytu vamzdžių valymo įtaisu (ištiesinta sąvaržėle, vamzdžių šepetėliu ir kt.).
- 3 Vėl uždėkite degiklius. Būtinai įstatykite „Venturi“ vamzdelius į dujų vožtuvų kiaurymes.

11.4 Emalio, nerūdijančiojo plieno ir miltelinio būdu dažytų dalių priežiūra

Prietaisą sudaro emaliuotos, nerūdijančiojo plieno ir miltelinio būdu dažytos dalys. Kiekvieną medžiagą reikia prižiūrėti skirtingai:

Medžiaga	Kaip prižiūrėti šią medžiagą
Emalis	<ul style="list-style-type: none"> Nenaudokite aštrių daiktų ir netraskykite į kietą paviršių. Venkite karšto emalio sąlyčio su šaltais skysčiais. Galima naudoti metalines kempines ir abrazyvines valymo priemones.
Nerūdijantysis plienas	<ul style="list-style-type: none"> Nenaudokite stiprių, abrazyvinių arba metalinių valymo priemonių. Naudokite švelnias valymo priemones ir palikite ant plieno, kad jos suveiktų. Naudokite minkštą kempinę arba šluostę. Prieš padėdami prietaisą saugoti, gerai jį nuplaukite ir išdžiovinkite.
Miltelinis dažymas	<ul style="list-style-type: none"> Nenaudokite aštrių daiktų. Naudokite švelnius ploviklius ir minkštą kempinę arba šluostę. Prieš padėdami prietaisą saugoti, gerai jį nuplaukite ir išdžiovinkite.

 Kad ant nerūdijančiojo plieno nesusidarytų rūdžių, venkite sąlyčio su chloru, druska ir geležimi. Rekomenduojame nenaudoti šio prietaiso netoli nuo pakrančių, prie geležinkelių ar baseinų.

 Nesilaikant šių nurodymų padaryti pažeidimai laikomi nepakankama priežiūra ir jiems netaikoma garantija.

Po išskaidytu prietaiso vaizdu (antroje vadovo dalyje) rasite dalių, iš kurių sudarytas prietaisas, sąrašą. Šiame sąrašė yra simbolis, nurodantis kiekvienos dalies medžiagą, taigi norėdami

pasitikrinti, kaip prižiūrėti konkrečią dalį, galite pasinaudoti šiuo sąrašu. Dalių sąrašuose naudojami tokie simboliai:

Simbolis	Medžiaga
●	Emalis
■	Nerūdijantysis plienas
★	Miltelinis dažymas

11.5 Prietaiso laikymas

Jei prietaiso ilgiau nenaudosite, padėkite jį į sausą vietą. Prieš padėdami prietaisą saugoti:

- Atjunkite dujų balioną. Niekada nelaikykite prietaiso patalpoje (net garaže ar stoginėje) su prijungtu dujų balionu.
- Išvalykite degiklius ir groteles, išstėpkite aliejumi ir suvyniokite į popierių.
- Jei jūsų prietaisas turi ieško degiklį, nuimkite ieško degiklio variklį ir padėkite į sausą vietą.
- Uždenkite prietaisą „Barbecue“ dangčiu. Užregistruokite savo prietaisą www.barbecue.com ir sužinokite, kokio dangčio jums reikia.

11.6 Dujų balionų laikymas

Šie nurodymai galioja ir tuštiems, ir pilniems dujų balionams.

- Visada dujų balionus laikykite lauke, gerai vėdinamoje vietoje. Užtikrinkite, kad jų neveiks pernelyg aukšta temperatūra ar tiesioginiai saulės spinduliai.
- Niekada nelaikykite dujų baliono vietoje, kurioje gali pasidaryti labai karšta (pvz., automobilyje, valtyje ir t. t.).
- Niekada nelaikykite dujų baliono ar atsarginio dujų baliono prietaiso spintoje.
- Niekada nelaikykite atsarginio dujų baliono šalia naudojamo prietaiso.
- Visada laikykite dujų balionus vaikams nepasiekiamoje vietoje.
- Visada gabenkite dujų balionus stačius.

11.7 Atsarginių dalių užsakymas

Dalis, kurias tiesiogiai veikia liepsna ar didelė kaitra, reikia kartkartėmis pakeisti. Norėdami užsakyti atsarginę dalį:

- 1 Suraskite jums reikalingos dalies katalogo numerį. Visų katalogo numerių sąrašą rasite po išskaidytais vaizdais antroje šio vadovo dalyje ir adresu www.barbecue.com.



Jei savo prietaisą užregistravote internetu, automatiškai būsite nukreipti į teisingą sąrašą.

- 2 Pardavimo vietoje užsisakykite atsarginę dalį. Galite užsisakyti dalis, kurioms taikoma ir netaikoma garantija.

12 GARANTIJA

12.1 Garantijos taikymas

Jūsų prietaisui taikoma dvejų metų garantija skaičiuojant nuo įsigijimo datos. Ši garantija galioja visiems gamybos defektams su sąlyga, kad:

- Jūs naudojote, surinkote ir prižiūrėjote savo prietaisą pagal šiame vadove išdėstytus nurodymus. Pažeidimai, atsiradę dėl netinkamo naudojimo, neteisingo surinkimo arba nepakankamos priežiūros, nelaikomi gamybos defektais.

- Galite pateikti savo prietaiso kvitą ir unikalų serijos numerį. Šis serijos numeris prasideda G, po to eina 15 skaitmenų. Jį galite rasti:
 - Šiame vadove ir jame esančiame pradiniam pakete.
 - Ant prietaiso pakuotės.
 - Techninių duomenų etiketėje, esančioje vidinėje spintos durelių pusėje („Quisson“, „Siesta 4“ ir „Siesta 6“) arba vidinėje apatinio priekinio skydelio pusėje („Spring“, „Siesta 2“ ir „Siesta 3“).
- „Barbecook“ kokybės skyrius patvirtina, kad dalys yra defektuotos ir kad tai išaiškėjo prietaisą įprastai naudojant, tinkamai surinkus ir pakankamai prižiūrint.

Jei viena iš pirmiau paminėtų sąlygų netenkinama, negalite reikalauti jokios kompensacijos. Visais atvejais garantija apsiriboja defektuotos (-ų) dalies (-ių) remontu arba keitimu.

12.2 Garantijos netaikymas

Toliau išvardytiems pažeidimams ir defektams garantija netaikoma:

- Įprastam dalių, kurias tiesiogiai veikia liepsna arba intensyvi kaitra, nusidėvėjimui (rūdijimui, deformavimuisi, spalvos pakitimui ir t. t.). Šias dalis kartkartėmis pakeisti yra normalu.
- Matomiems netolygumams, kurie yra neatsiejami nuo gamybos proceso. Šie netolygumai nelaikomi gamybos defektais.
- Visiems pažeidimams, atsiradusiems dėl nepakankamos priežiūros, neteisingo saugojimo, netinkamo surinkimo ar gamintojo surinktų dalių pakeitimų.
- Visiems pažeidimams, atsiradusiems dėl netinkamo naudojimo, neteisingo elgesio su prietaisu (nenaudojimo pagal šiame vadove išdėstytus nurodymus, naudojimo komerciniais tikslais ir t. t.).
- Visiems pažeidimams, atsiradusiems kaip pasekmė dėl nerūpestingo prietaiso naudojimo arba naudojimo nesilaikant nurodymų.
- Korozijai arba spalvos pakitimui, kurį sukėlė išorinis poveikis, stiprių valymo priemonių ar chloro naudojimas ir t. t. Šie pažeidimai nelaikomi gamybos defektais.

13 TECHNINIAI DUOMENYS

13.1 Techninių duomenų etiketė

Techninių duomenų etiketėje pateikiami visi jūsų prietaiso techniniai duomenys. Jį galite rasti:

- Antroje šio vadovo dalyje.
- Vidinėje spintos durelių pusėje.

13.2 Purkštuvų matmenys

- Pagrindinio degiklio: 0,991 mm
- Šoninio degiklio: 0,88 mm

14 PROBLEMŲ SPRENDIMAS

Problema	Galima (-os) priežastis (-ys)	Sprendimas (-ai)
Nepakankama kaitra	<ul style="list-style-type: none"> • Neatsuktos dujos • „Venturi“ vamzdeliai nėra virš dujų vožtuvų kiaurymių • Užsikimšusios degiklio angos • Dujų balionas (beveik) tuščias • Slėgio regulatorius neteisingai prijungtas prie baliono ir (arba) žarnos 	<ul style="list-style-type: none"> • Atsukite dujų tiekimą. • „Venturi“ vamzdelius patalpinkite virš dujų vožtuvų kiaurymių • Išvalykite degiklių angas arba pakeiskite degiklius • Pakeiskite balioną • Iš naujo prijunkite slėgio regulatorių prie baliono ir (arba) žarnos
Per didelė kaitra ir (arba) liepsnos šokčiojimai	<ul style="list-style-type: none"> • Maistas pernelyg riebus • Užsikimšusi riebalų nutekėjimo anga, riebalai taurėje ir (arba) riebalai ant degiklių • Netinkamai uždėti degiklių gaubtai • Temperatūra per aukšta 	<ul style="list-style-type: none"> • Nupjaustykite nereikalingus riebalus arba nustatykite mažą degiklių liepsną • Išvalykite riebalų nutekėjimo angą, taurę ir degiklius • Teisingai uždėkite degiklių gaubtus • Nustatykite žemesnę degiklių temperatūrą ir (arba) kepkite maistą netiesiogiai
Kaitra netolygiai pasiskirsto grotelių paviršiuje	<p>Tam tikri kaitros skirtumai yra normalu, žr. “11.6 Optimalus karščio išnaudojimas” ir “11.7 Kaitros zonų išnaudojimas”. Galima (-os) didelių kaitros skirtumų priežastis (-ys):</p> <ul style="list-style-type: none"> • Netinkamai uždėti degiklių gaubtai • Prietaisas nebuvo įkaitintas 	<ul style="list-style-type: none"> • Teisingai uždėkite degiklių gaubtus • Įkaitinkite prietaisą
Geltonos liepsnos	<ul style="list-style-type: none"> • Užsikimšę degikliai arba „Venturi“ vamzdeliai • Druska ant degiklių • Prietaise naudojamas butanas 	<ul style="list-style-type: none"> • Išvalykite degiklius ir „Venturi“ vamzdelius • Išvalykite degiklius • Prijunkite prietaisą prie propano, naudodami atitinkamą slėgio regulatorių
Ne visa liepsna	Degiklis užsikimšęs, nesandarus arba surūdijęs	Išvalykite arba pakeiskite degiklį
Tvykstelėjimai (liepsnos „Venturi“ vamzdelių išorėje arba prie valdymo rankenėlių)	Užsikimšę degikliai arba „Venturi“ vamzdeliai	<ol style="list-style-type: none"> 1 Užsukite dujų tiekimą ir nustatykite degiklius į padėtį OFF (išjungta). 2 Leiskite prietaisui atvėsti. 3 Išvalykite degiklius ir „Venturi“ vamzdelius.
Virš taurės krašto išskylančios liepsnos	<ul style="list-style-type: none"> • Stiprus oras • Dujų balionas (beveik) tuščias • Riebalai taurėje ir (arba) ant degiklių 	<ul style="list-style-type: none"> • Pastatykite prietaisą taip, kad vėjas į jį pūstų iš galo. • Pakeiskite balioną • Išvalykite taurę, išvalykite degiklius ir pakeiskite „Leaf®“
Pašaliniai slėgio regulatoriaus garsai	<ul style="list-style-type: none"> • Karštas oras • Naujas (pilnas) dujų balionas 	Tai nepavojingai ir tai nėra defektas. Turi praeiti savaime po kurio laiko.
Degiklį nustačius į padėtį LOW (maža liepsna), jis švilpia	Nešvarus dujų purkštukas, „Venturi“ vamzdelis ir (arba) degiklis	Išvalykite dujų purkštuvą, „Venturi“ vamzdelį ir degiklį
Neįmanoma uždegti degiklio (naudojant uždegimo sistemą arba degtukus)	<ul style="list-style-type: none"> • Užsikimšęs degiklis arba „Venturi“ vamzdelis • Neateina dujos 	<ul style="list-style-type: none"> • Išvalykite degiklį ir „Venturi“ vamzdelį • Atsukite dujų tiekimą ir paspauskite apsauginę rankenėlę ant slėgio regulatoriaus (būna ne ant visų regulatorių)
Neįmanoma uždegti degiklio naudojant uždegimo sistemą	<ul style="list-style-type: none"> • Neįdėta baterija arba įdėta neteisingai • Netinkamai sujungti uždegimo sistemos laidai • Pažeistas elektrodas • Nėra įžeminimo • Sugedusi uždegimo sistema 	<ul style="list-style-type: none"> • (Iš naujo) įdėkite bateriją, atsižvelgdami į poliškumą • Patikrinkite ir iš naujo sujunkite visas uždegimo sistemos jungtis • Pakeiskite elektrodą • Patikrinkite ir iš naujo sujunkite elektrodus, degiklius ir uždegimo sistemą • Pakeiskite uždegimo sistemą

Problema	Galima (-os) priežastis (-ys)	Sprendimas (-ai)
Paspaudus uždegimo sistemos jungiklį, nesimato ir nesigirdi kibirkščių	<ul style="list-style-type: none"> • Neįdėta baterija arba įdėta neteisingai • Išsekusi baterija • Netinkamai sujungtas uždegimo sistemos mygtukas • Sugedęs kibirkščių generatorius 	<ul style="list-style-type: none"> • (Iš naujo) įdėkite bateriją, atsižvelgdami į poliškumą • Pakeiskite bateriją • Iš naujo prijunkite uždegimo sistemos mygtuką • Pakeiskite kibirkščių generatorių
Paspaudus uždegimo sistemos jungiklį, girdisi tik kibirkščių garsas (kibirkščių nėra)	<ul style="list-style-type: none"> • Nėra žeminimo • Degiklis ir elektrodas per toli vienas nuo kito 	<ul style="list-style-type: none"> • Iš naujo sujunkite kibirkščių generatorių ir elektrodus • Šiek tiek palenkite elektrodą, kad jis būtų arčiau degiklio
Yra kibirkščių, einančių ne iš degiklių	Pažeisti laidai	Pakeiskite laidus
Yra kibirkščių, bet ne visuose elektroduose ir (arba) jos per silpnos	<ul style="list-style-type: none"> • Nėra žeminimo • Baigia išsekti baterija • Sudrėkę arba pažeisti elektrodai 	<ul style="list-style-type: none"> • Iš naujo sujunkite kibirkščių generatorių ir elektrodus • Pakeiskite bateriją • Nusausinkite elektrodus popieriniu rankšluosčiu arba pakeiskite elektrodus

LV – LIETOŠANAS PAMĀCĪBA


1	Reģistrējiet savu ierīci	298	10	Noderīgi padomi un ieteikumi	304
2	Par šo rokasgrāmatu	298		• Ierīces iesildīšana	304
3	Svarīgi drošības norādījumi	298		• Kā nepieļaut produktu pieķepšanu	304
	• Izlasiet un izpildiet norādījumus	298		• Tiešā un netiešā grilēšana	304
	• Esiet uzmanīgs ar gāzi	298		• Gāzes balona nomaiņa	304
	• Piemērotas vietas izvēle	298		• Temperatūras uzraudzība	304
	• Rīkojieties saprātīgi	298		• Karstuma optimāla izmantošana	305
4	Atkārtoti jēdzieni	298		• Gāzes balona nomaiņa	305
	• Venturi caurules	298		• Kā izvairīties no uzliesmojumiem	305
	• Degļu pārsegi	299	11	Ierīces apkope	305
	• Emalja	299		• Restu tīrīšana	305
	• Uzliesmojumi	299		• Metāla bļodas tīrīšana	305
5	Ierīces montāža	299		• Degļu vai Venturi cauruļu tīrīšana	305
	• Drošības norādījumi	299		• Gāzes balona nomaiņa	306
	• Ierīces montāža	299		• Ierīces uzglabāšana	307
6	Ierīces pieslēgums gāzes avotam	299		• Gāzes balonu uzglabāšana	307
	• Kāds gāzes balons, šļūtene un regulators ir vispiemērotākais	299		• Rezerves daļu pasūtīšana	307
	• Drošības norādījumi	300	12	Garantija	307
	• Šļūtenes pievienošana ierīcei	300		• Uz ko attiecas garantija	307
	• Šļūtenes un balona pievienošana regulatoram	300		• Uz ko garantija neattiecas	307
	• Gāzes balona nomaiņa	301	13	Tehniskie dati	307
7	Gāzes noplūdes pārbaude	301		• Tipa plāksnīte	307
	• Kādēļ jāpārbauda, vai nav gāzes noplūdes?	301		• Iesmidzinātāja diametri	307
	• Kad jāpārbauda, vai nav gāzes noplūdes?	301	14	Kļūmju novēršana	308
	• Drošības norādījumi	301			
	• Kādi materiāli nepieciešami	301			
	• Lai pārbaudītu, vai nav gāzes noplūdes	301			
	• Ja ir radusies gāzes noplūde	302			
8	Ierīces sagatavošana lietošanai	302			
	• Pirms katras lietošanas	302			
	• Gāzes balona nomaiņa	301			
	• Ierīces sagatavošana darbam	302			
9	Degļu aizdegšana	302			
	• Drošības norādījumi	302			
	• Galveno degļu aizdegšana	303			
	• Gāzes balona nomaiņa	301			
	• Degļu izslēgšana	304			
	• Degļu atkārtota aizdegšana	304			
	• Liesmu pārbaude	304			


1 REĢISTRĒJIET SAVU IERĪCI

Paldies, ka iegādājāties Barbecue ierīci! Mēs esam pārliecināti, ka tā sagādās jums daudz prieka grilējot.

Lai iespējami uzlabotu ierīces izmantošanu, reģistrējiet savu ierīci vietnē www.barbecue.com. Reģistrācijai nepieciešamas tikai dažas minūtes, taču tas nodrošina ievērojamus ieguvumus:

- Jums tiks nodrošināta pieeja personalizētai pēcpārdošanas apkalpošanai. Tas ļaus, piemēram, ātri atrast rezerves daļas savai ierīcei vai arī izmantot labāko garantijas apkalpošanu.
- Mēs varam informēt jūs par interesantiem izstrādājuma atjauninājumiem un parādīt izstrādājuma informāciju un tehniskos datus, kas attiecas tieši uz jūsu ierīci.

 Plašāku informāciju par ierīces reģistrēšanu skatiet vietnē www.barbecue.com.

 Barbecue ievēro jūsu privātumu. Jūsu dati netiks pārdoti, izplākti vai nodoti trešajām pusēm.

2 PAR ŠO ROKASGRĀMATU


Šajā rokasgrāmatā ir divas daļas.

- Pirmā daļa ir tā, kuru pašreiz lasāt. Tajā ir iekļauti norādījumi par ierīces montāžu, lietošanu un apkopi.
- Otrā daļa sākas 379. lpp. Tajā ir visu veidu šajā rokasgrāmatā aprakstīto ierīču attēli (izvērsti skati, montāžas rasējumi, tipa plāksnītes).

3 SVARĪGI DROŠĪBAS NORĀDĪJUMI

3.1 Izlasiet un izpildiet norādījumus


Pirms ierīces izmantošanas izlasiet norādījumus. Vienmēr rūpīgi izpildiet norādījumus. Ierīces nepareiza montāža vai izmantošana var radīt aizdegšanos vai materiālos zaudējumus.

 Uz bojājumiem, kas radušies, neievērojot norādījumus (nepareiza montāža, lietošana, apkope) garantija neattieksies.

3.2 Esiet uzmanīgs ar gāzi

Gāzes lietošana ir pilnīgi droša, tomēr nepieciešama papildu piesardzība:

- Uzglabājiet gāzes balonus tikai ārpus telpām, labi vēdināmā vietā. Pārliecinieties, ka tie netiek pakļauti pārmērīgam karstumam vai tiešiem saules stariem.
- Nekad neuzglabājiet gāzes balonu vai rezerves gāzes cilindru ierīces korpusā.
- Lietojot ierīci, ievietojiet savu gāzes balonu tam paredzētajos ratiņos ierīces sānos.
- Neuzglabājiet rezerves gāzes balonu gāzes ierīces tuvumā, kas to lietojat.
- Pēc lietošanas vienmēr noslēdziet gāzes pievadi no gāzes balona.
- Nesmēķējiet gāzes ierīces vai gāzes balona (pilna vai tukša) tuvumā.

 Ja konstatējat gāzes smardu, nekavējoties noslēdziet gāzes pievadu, nodzēsiet visas liesmas un atveriet ierīces vāku. Ja gāzes smarods vēl arvien jūtams, sazinieties ar gāzes piegādātāju vai ugunsdzēsības dienestu.

3.3 Piemērotas vietas izvēle

Lietojiet šo ierīci tikai ārpus telpām. Izmantojot to telpās, kaut vai garāžā vai šķūnītī, var tikt izraisīta saindēšanās ar tvana gāzi.

Izvēloties vietu ārpus telpām, vienmēr:

- Novietojiet ierīci vismaz trīs metru attālumā no jebkādas ēkas, atklātā un labi vēdinātā vietā.
- Pārliecinieties, ka degļiem un ierīces ventilācijas atverēm tiek nodrošināta netraucēta gaisa pieplūde.
- Pārbaudiet, vai ierīce neatrodas zem pārkāres (lieveņa, nojumes u.c.) vai zem lapotnes.
- Novietojiet ierīci uz stingras un stabilas virsmas. Nekad nenovietojiet ierīci uz kustīga transportlīdzekļa (laivas, piekabes u.c.).

3.4 Rīkojieties saprātīgi

Vienmēr rīkojieties ar ierīci saprātīgi:

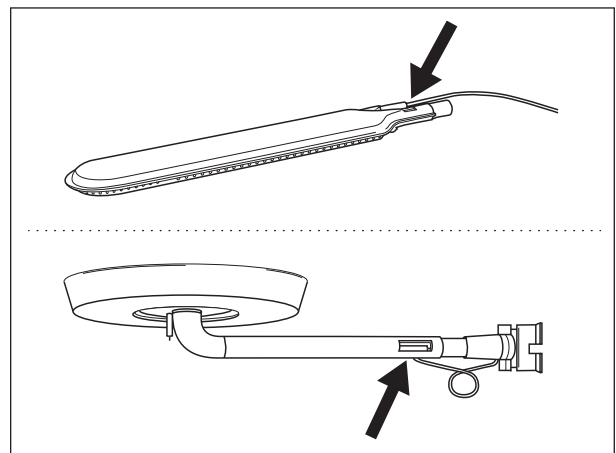
- Lietojiet ierīci tikai ārpus telpām.
- Lietošanas laikā nepārvietojiet ierīci.
- Neatstājiet ierīci bez uzraudzības tās lietošanas laikā, it īpaši tad, ja ierīces tuvumā atrodas bērni un dzīvnieki.
- BRĪDINĀJUMS Dažas pieejamas ierīces daļas var ievērojami sakarst. Neļaujiet maziem bērniem tuvuoties ierīcei.
- Rīkojoties ar karstām ierīces daļām (vāku, restēm u.c.), izmantojiet piemērotus aizsarglīdzekļus.
- Ierīces lietošanas laikā nenovietojiet to ugunsdrošu materiālu tuvumā.
- Turiet ugunsdrošus materiālus un šķidrumus, kā arī kustošus priekšmetus drošā attālumā no izmantojamās ierīces.
- Neizmantojiet gāzes ierīcē koka malku, kokogles, lavas akmeņus un keramikas briķetes.
- Nelietojiet ierīci, ja esat alkoholisko dzērienu vai zāļu iespaidā.
- Nepārveidojiet ierīci.

4 ATKĀRTOTI JĒDZIENI

Šajā daļā ir iekļautas dažu mazāk pazīstamu jēdzienu definīcijas. Šie jēdzieni tiek izmantoti vairākos rokasgrāmatas tekstos.

4.1 Venturi caurules


Venturi caurules ir mazas caurulītes, kas piestiprinātas pie degļu ievadiem. Caurulišu sānos ir atvere. Tā ir redzama galvenajos degļos un sānu deglī:

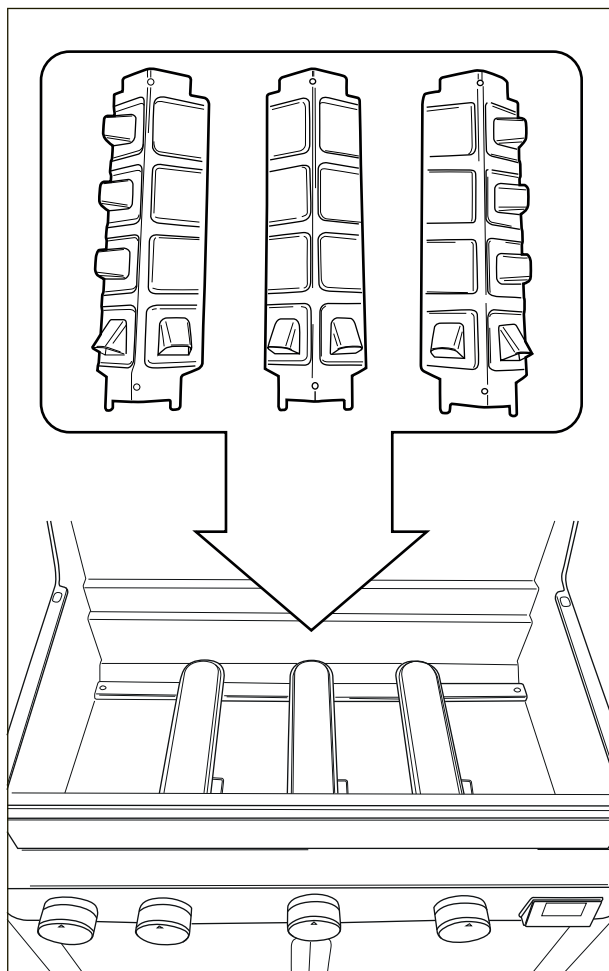


Kad gāze plūst uz degļiem, tā virzās pa Venturi caurulēm. Tā kā atveres ir sānos, gāze sajaucas ar gaisu un tādējādi ar skābekli. Tas nepieciešams, lai panāktu degļu atbilstošu aizdegšanu: tikai gāzes un skābekļa maisījums aizdegēsies pareizi un nodrošinās piemērotu liesmu.

4.2 Degļu pārsegi


Degļu pārsegi ir pārsegi, kurus uzliekat uz savas ierīces degļiem. Tie aizsargā degļus no pilošiem taukiem; tiem ir būtiska loma Turbo karsēšanas sistēmā – Turbo Heating System. Pārsegu sānos esošās piesegtās atveres izplata siltumu pa restēm, tādējādi tās sakarsējot daudz ātrāk un vienmērīgāk.

 Montējot ierīci, pievērsiet īpašu uzmanību degļu pārsegiem. Turbo Heating System var darboties pareizi tikai tad, ja katrs pārsegs ir uzstādīts uz atbilstošā degļa.



4.3 Emalja

Dažas ierīces daļas ir pārklātas ar izkausēta stikla slāni, kas tiek dēvēts par emalju. Šī emalja aizsargā zem tās esošo metālu pret koroziju. Emalja ir augstas kvalitātes materiāls: tā ir izturīga pret rūsu, neizballo augstā temperatūrā, ir vienkārši apkopjama.

 Tā kā emalja ir mazāk elastīga nekā metāls, ko tā pārklāj, ierīci lietojot nepareizi, emalja var atdalīties. Lai nepieļautu kļūmes, esiet uzmanīgs, montējot emaljētās daļas, un vienmēr apkopiet emaljas pārklājumu, kā tas aprakstīts šajā rokasgrāmatā.

4.4 Uzliesmojumi

Uzliesmojumi ir pēkšņa liesma, kas paceļas no metāla bļodas grilējot. To parasti izraisa piloši tauki vai marināde.

5 IERĪCES MONTĀŽA


5.1 Drošības norādījumi


- Saliekot ierīci, nepārveidojiet to. Ir ļoti bīstami un nav atļauts pārveidot ražotāja jau samontētās un/vai fiksētās ierīces daļas.
- Vienmēr rūpīgi izpildiet montāžas norādījumus.
- Lietotājs ir atbildīgs par ierīces pareizu montāžu. Uz nepareizas montāžas radītiem bojājumiem garantija neattiecas.

5.2 Ierīces montāža

Jums būs nepieciešams krusta skrūvgriezis, plakanais skrūvgriezis un AA baterija (elektriskajai aizdegšanas ierīcei). Ja jūsu ierīce aprīkota ar iesma degli, nepieciešamas arī divas D izmēra baterijas (iesma degļa motoram). Baterijas nav iekļautas ierīces komplektācijā.

- 1 Novietojiet ierīci uz plakanas un tīras virsmas.
- 2 Samontējiet ierīci, kā parādīts montāžas zīmējumos. Zīmējumi atrodami šīs rokasgrāmatas otrajā daļā pēc jūsu ierīces izvērstā skata.

 Saliekot emaljētās daļas, esiet uzmanīgs. Darbarīki un skrūves var sabojāt emalju. Emaljas aizsardzībai ap skrūvēm lietojiet komplektā iekļautās šķiedras starplikas.

 Komplektācijā var būt iekļauts vairāk skrūvju, nekā tas nepieciešams. Pēc montāžas skrūves var palikt pāri.


6 IERĪCES PIESLĒGUMS GĀZES AVOTAM


6.1 Kāds gāzes balons, šļūtene un regulators ir vispiemērotākais

Pirms pievienojat gāzes pievadu ierīcei, jums jāiegādājas gāzes balons, šļūtene un spiediena regulators. Iegādājieties izstrādājumus, kas atbilst visiem valsts normatīviem, gāzes veidam un nominālā spiediena parametriem, kas norādīti uz ierīces.

Tālāk redzamā tabula norāda, kāds balons, šļūtene un regulators jāizmanto. Beļģijā (BE), piemēram, jālieto propāna gāzes balons ar šļūteni un regulatoru, kas piemērots 37 mbar, vai butāna gāzes balons ar šļūteni un regulatoru, kas piemērots 28–30 mbar.

Valsts	Balons, šļūtene un regulators
DK, GR, NO, SE, EE, LT, LV, CZ, PL, MT, HU, SI, SK	Propāns, 30 mbar/butāns, 30 mbar
ES, GB, IE, PT, BE, FR, LU, IT	Propāns, 37 mbar/butāns, 28–30 mbar
NL	Propāns, 30 vai 50 mbar/butāns, 30 mbar
CY	Propāns, 30 vai 37 mbar/butāns, 28–30 mbar

 Ieteicams pieslēgt ierīci propāna gāzes avotam. Propāns nodrošina augsti kvalitatīvu sadegšanas procesu; tas ir arī aukstumizturīgāks.

 Iegādājieties spiediena regulatoru un gāzes balonu vienlaikus. Ne visi regulatori ir piemēroti visiem baloniem.


6.2 Drošības norādījumi

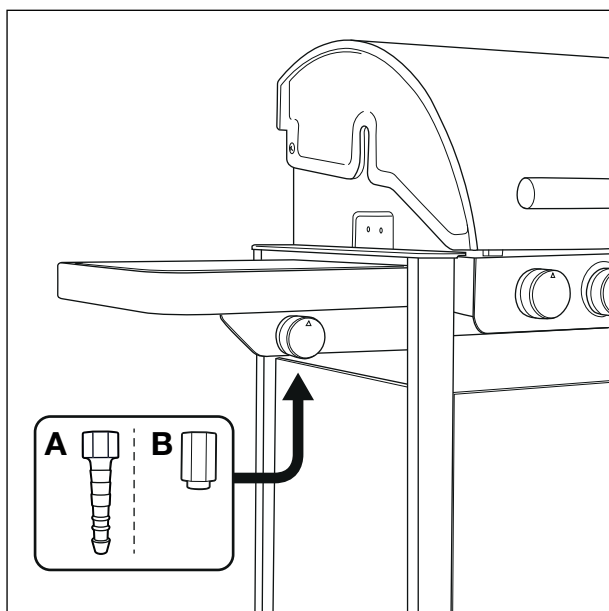
- Nekad nepievienojiet gāzes balonu tieši ierīcei. Vispirms uz balona vienmēr uzstādiat spiediena regulatoru.
- Nepārveidojiet iepriekš uzstādītās vai noslēgtās balona, šļūtenes vai spiediena regulatora daļas.
- Pēc iespējas samaziniet šļūtenes garumu (maksimālais – 500 - 650 mm), lai nepieļautu tās saskari ar zemi.
- Pievienojot balonu, šļūteni un spiediena regulatoru:
 - Nesabojājiet šļūteni.
 - Vienmēr turiet balonu stateniski.
 - Neatveriet gāzes pievadu.
- Pēc gāzes pieslēguma maiņas pārbaudiet, vai nav gāzes noplūdes. Skatiet “7 Gāzes noplūdes pārbaude”.

6.3 Šļūtenes pievienošana ierīcei

Lai pievienotu gāzes šļūteni ierīcei, uz ierīces gāzes caurules jāuzstāda savienojums. Ierīces komplektācijā ir divi savienojumi, kas paredzēti konkrētām valstīm:

Valsts	Savienojums
BE, CH, CZ, DK, ES, FI, GB, IE, IT, PT, SI	A savienojums
FR	B savienojums

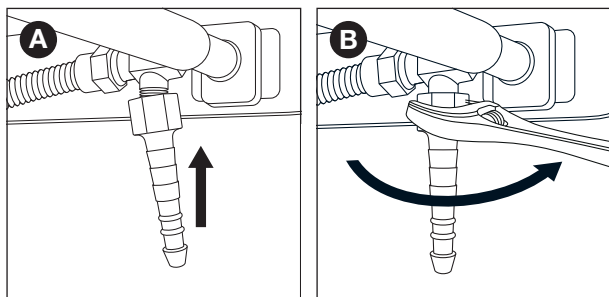
 Ja tabulā jūsu valsts nav norādīta, izmantojiet savienojumu, kas atbilst jūsu valsts normatīviem.



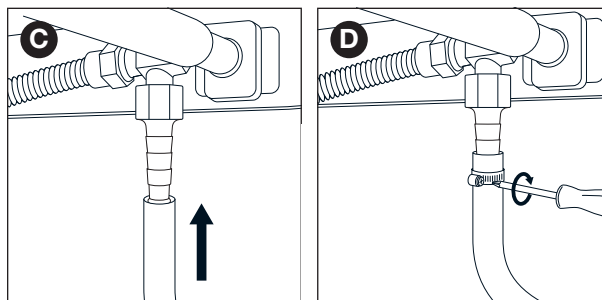
6.3.1 A SAVIENOJUMS

Nepieciešama 19 mm uzgriežņatslēga un krusta skrūvgriezis.

- 1 Uzskrūvējiet savienojumu uz ierīces gāzes caurules (A) un pievelciet savienojumu ar 19 mm uzgriežņatslēgu (B).



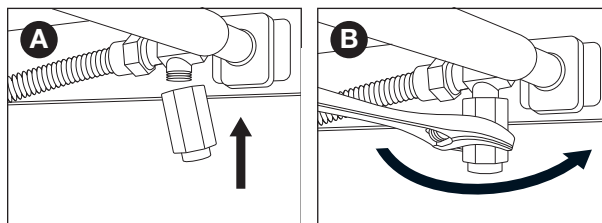
- 2 Uzbīdiat šļūteni uz savienojuma (C) un pievelciet fiksācijas gredzenu ar krusta skrūvgriezi (D).



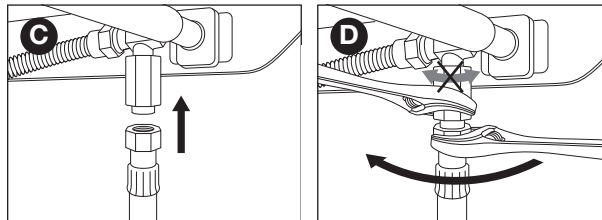
6.3.2 B SAVIENOJUMS

Nepieciešama 22 mm uzgriežņatslēga un bīdatslēga.

- 1 Uzskrūvējiet savienojumu uz ierīces gāzes caurules (A) un pievelciet savienojumu ar 22 mm uzgriežņatslēgu (B).



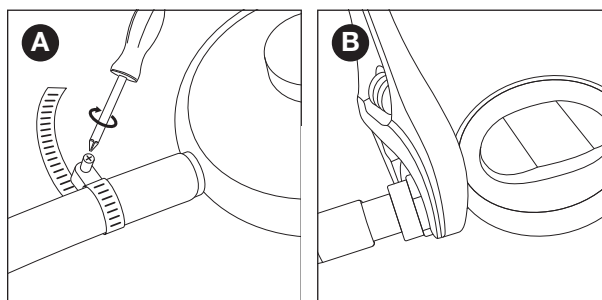
- 2 Uzskrūvējiet gāzes šļūteni uz savienojuma (C) un pievelciet ar abām uzgriežņatslēgām. Turiet savienojumu ar 22 mm uzgriežņatslēgu, vienlaikus griežot šļūteni ar bīdatslēgu (D).



6.4 Šļūtenes un balona pievienošana regulatoram

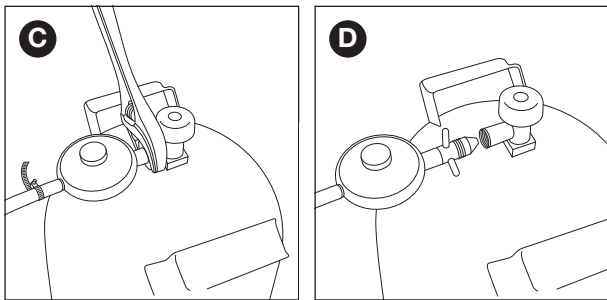
Atkarībā no izmantojamā spiediena regulatora, nepieciešams krusta skrūvgriezis un/vai bīdatslēga.

- 1 Pievienojiet šļūteni pie spiediena regulatora. Rīkojieties šādi:
 - Ja šļūtenei ir fiksācijas gredzens, uzbīdiat šļūteni uz regulatora un pievelciet fiksācijas gredzenu ar krusta skrūvgriezi (A).
 - Ja šļūtenei ir uzgrieznis, uzskrūvējiet šļūteni uz regulatora un pievelciet uzgriezni ar bīdatslēgu (B).



- 2 Pievienojiet spiediena regulatoru gāzes balonam. Rīkojieties šādi:
 - Ja regulatoram ir uzgrieznis, uzskrūvējiet regulatoru pulksteņrādītāju kustības virzienā uz balona un pievelciet uzgriezni ar bīdatslēgu (C).

- Ja regulatoram ir skrūves vītne, uzskrūvējiet regulatoru uz balona pretēji pulksteņrādītāju kustības virzienam (D).



6.5 Gāzes balona nomaiņa

- 1 Aizgrieziet gāzes pievadu un pārslēdziet visus vadības regulatorus uz OFF (Izslēgt).
- 2 Atvienojiet tukšo balonu un pievienojiet pilnu.
- 3 Pārbaudiet, vai cilindrā, šļūtenē un visos gāzes savienojumos nav noplūdes. Skatiet “7 Gāzes noplūdes pārbaude”.

7 GĀZES NOPLŪDES PĀRBAUDE

7.1 Kādēļ jāpārbauda, vai nav gāzes noplūdes?

Propāna un butāna gāze ir smagāka par gaisu. Tādēļ, gāzēm noplūstot, tās neizplūst no ierīces. It īpaši tad, kad nav vēja, noplūde var izraisīt gāzes uzkrāšanos ap ierīci un tajā. Sakrājušies gāze tad var aizdegties un sprāgt.

7.2 Kad jāpārbauda, vai nav gāzes noplūdes?

- Pirms ierīces pirmās lietošanas reizes vai pēc ilgstošas neizmantošanas.



Ja ierīci samontējis izplatītājs, pārbaudiet arī, vai nav gāzes noplūdes.

- Katru reizi, kad tiek nomainīts kāds gāzes mezgls.
- Vismaz reizi gadā, vēlams sezonas sākumā.

7.3 Drošības norādījumi

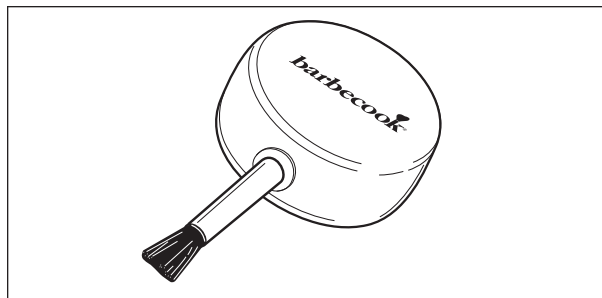
- Novietojiet ierīci ārpus telpām, labi vēdināmā vietā. Pārliecinieties, ka ierīces tuvumā nav liesmu un siltuma avotu.
- Lai konstatētu gāzes noplūdi, nekad neizmantojiet šķiltavas un sērskociņus.
- Pārbaudot, vai nav gāzes noplūdes, nesmēķējiet un neaizdedziniet degļus.

7.4 Kādi materiāli nepieciešami

Lai pārbaudītu, vai nav gāzes noplūdes, nepieciešams:

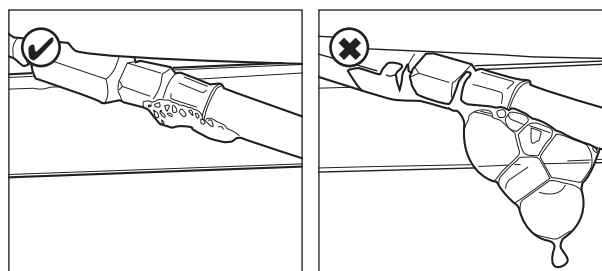
- Pārbaudes šķidrums. Varat izmantot jau gatavu aerosolu noplūžu noteikšanas vai ūdens (50%) un trauku mazgāšanas ziepju (50%) maisījumu.

- Noplūžu noteikšanas rīks, kas iekļauts ierīces komplektācijā. Izmantojiet to, lai savāktu pārbaudes šķidrumu; lietojiet to tam gāzes mezglam vai savienojumam, kas jāpārbauda.



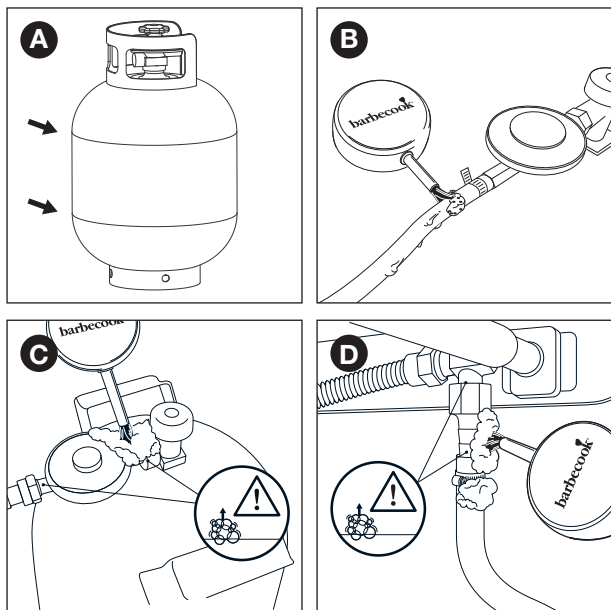
7.5 Lai pārbaudītu, vai nav gāzes noplūdes

Pārbaudiet, vai nav gāzes noplūdes, uzsmērējot pārbaudes šķidrumu visiem gāzes mezgliem un savienojumiem. Ja uz konkrēta mezgla vai savienojuma parādās burbuļi, notiek gāzes noplūde:



Lai pārbaudītu, vai nav gāzes noplūdes, izpildiet turpmāk norādītās darbības.

- 1 Nogādājiet ierīci ārpus telpām.
- 2 Paņemiet noplūdes pārbaudes rīku un pārbaudes šķidrumu (pārbaudes aerosolu vai ziepjūdeni).
- 3 Atveriet vāku un iestatiet visus vadības regulatorus uz OFF (Izslēgt).
- 4 Nedaudz atveriet gāzes pievada vārstu. Pagrieziet gāzes balona vārstu tikai vienu reizi.
- 5 Izmantojot noplūdes pārbaudes rīku, iesūknējiet nedaudz šķidruma un izsmidziniet to pārbaudāmajā vietā. Jums jāpārbauda:
 - Gāzes balona metinājumu vietas (A)
 - Šļūtene (B)
 - Savienojums starp balonu un spiediena regulatoru, kā arī savienojums starp spiediena regulatoru un šļūteni (C)
 - Savienojums starp šļūteni un ierīci (D)



i Jūsu spiediena regulators un savienojumi var atšķirties no attēlā redzamajiem.

6 Rīkojieties šādi:

- Ja konstatējat noplūdi, veiciet darbības, kā aprakstīts nodaļā “Ja ir radusies gāzes noplūde”.
- Ja noplūdes nav, noslēdziet gāzes pievadu, kārtīgi noskalojiet visus mezglus ar ūdeni un rūpīgi nosusiniet.

7.6 Ja ir radusies gāzes noplūde

- 1 Aizgrieziet gāzes pievadu un veiciet kādu no turpmāk norādītajām darbībām.
 - Ja kādā no savienojumiem konstatējat gāzes noplūdi, pievelciet savienojumu.
 - Ja konstatējat noplūdi balonā vai šļūtenē, nomainiet balonu vai šļūteni.
- 2 Vēlreiz pārbaudiet savienojumu vai komponentu, kurā konstatēta noplūde.
- 3 Ja noplūdi neizdodas novērst, sazinieties ar Barbecook izplatītāju. Nelietojiet ierīci, kamēr noplūde nav novērsta.

i Sarakstu ar tuvākajiem Barbecook izplatītājiem skatiet www.barbecook.com.

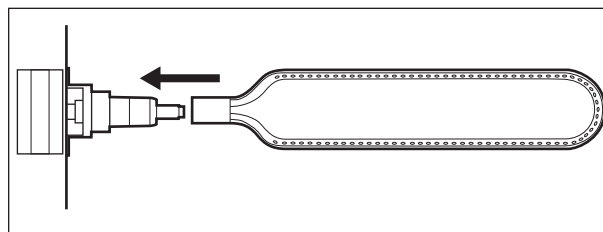
8 IERĪCES SAGATAVOŠANA LIETOŠANAI

8.1 Pirms katras lietošanas

Katru reizi lietojot ierīci, pārliedzinieties, ka:

- Ierīce atrodas piemērotā vietā. Skatiet “3.3 Piemērotas vietas izvēle”.
- Gāzes šļūtene nesaskaras ar zemi un ar karstu virsmu vai pilošiem taukiem.
- Metāla bļoda ir tīra. Pirms katras lietošanas ieteicams ievietot metāla bļodā jaunu Leaf® (Loksne). Skatiet “11.2 Metāla bļodas tīršana”.
- Degļus un Venturi caurules nav nosprostojuši kukaiņi vai zirnekļu tīkli. Skatiet “11.3 Degļu vai Venturi cauruļu tīršana”.
- Ierīce ir samontēta pareizi. Pievērsiet īpašu uzmanību:
 - Degļu pārsegiem. Katrs pārsegs jāuzliek atbilstošam deglim. Skatiet “4.2 Degļu pārsegi”.

- Degļu Venturi caurulēm. Tām jābūt novietotām virs gāzes vārstu atverēm.



i Ja vēlaties būt pilnībā pārliecināts, ka gāzes savienojums ir atbilstošs, pirms katras lietošanas pārbaudiet, vai nav gāzes noplūdes. Skatiet “7 Gāzes noplūdes pārbaude”.

8.2 Pirms pirmās lietošanas reizes (pēc ilgstošas neizmantošanas)

Ja lietojat ierīci pirmo reizi vai pēc ilgstošas neizmantošanas, jums jāveic papildu pārbaude.

- Noteikti izlasiet un izprotiet visus šīs rokasgrāmatas norādījumus (tikai pirms pirmās lietošanas reizes).
- Pārbaudiet, vai nav gāzes noplūdes. Skatiet “7 Gāzes noplūdes pārbaude”.
- ⚠ Ja ierīci samontējis izplatītājs, pārbaudiet arī, vai nav gāzes noplūdes.
- Izfīriet degļus un Venturi caurules (tikai pirms pirmās izmantošanas pēc ilga pārtraukuma) Skatiet “12.3 Degļu vai Venturi cauruļu tīršana”.
- Aizdedziet degļus un ļaujiet ierīcei sakarst pirms produktu novietošanas uz tās (tikai pirms pirmās lietošanas reizes). Skatiet “8.3 Ierīces sagatavošana darbam”.

8.3 Ierīces sagatavošana darbam

Izdedzinot ierīci pirms pirmās ierīces izmantošanas reizes, jūs attīrāt ierīci no ražošanas smērvielu atliekām. Rīkojieties šādi:

- 1 Aizdedziet galvenos degļus un iestatiet to vadības regulatorus uz HIGH (Liela jauda). Skatiet “9.2 Galveno degļu aizdegšana”.
- 2 Aizveriet vāku un ļaujiet ierīcei degt 15 minūtes. Šajā laikā uz restēm nenovietojiet produktus.
- 3 Pēc 15 minūtēm atveriet vāku un ļaujiet ierīcei degt vēl 5 minūtes (vadības regulatori vēl arvien iestatīti uz HIGH (Liela jauda)).
- 4 Kad arī šīs 5 minūtes pagājušas, ierīce ir gatava lietošanai. Tagad varat novietot uz restēm produktus.

9 DEGĻU AIZDEGŠANA

i Lai aizdegtu degļus ar elektrisko aizdegšanas ierīci, aizdegšanas ierīcē jāievieto AA baterija. Šī baterija nav iekļauta ierīces komplektācijā. Aizdegšanas ierīces bateriju nodaļums atrodams ierīces korpusā.


9.1 Drošības norādījumi

- Pirms ierīces degļu aizdegšanas veiciet nodaļā “8 Ierīces sagatavošana lietošanai” minētās pārbaudes.
- Aizdedzot degli, pārliedzinieties, ka vāks ir atvērts.
- Aizdedzot degli, nekad neliecieties tam pāri.

9.2 Galveno degļu aizdegšana

9.2.1 AIZDEGŠANAS IERĪCES LIETOŠANA

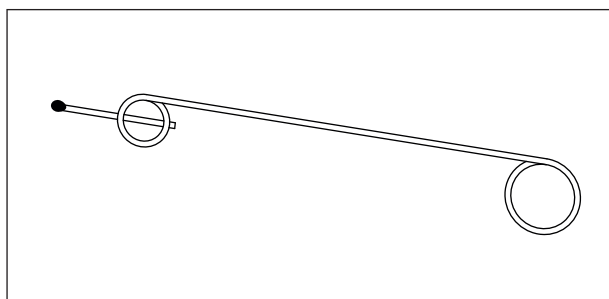
- 1 Atveriet vāku un iestatiet galveno degļu vadības regulatorus uz OFF (Izslēgt).
- 2 Ja neviens cits deglis vēl nav aizdegts, atveriet gāzes pievadu un uzgaidiet desmit sekundes. Tas ļaus stabilizēt gāzes plūsmu.
- 3 Iespiediet viena degļa vadības regulatoru, iestatiet to uz HIGH (Liela jauda) un turiet iespiestu dažas sekundes. Iebūvētā aizdegšanas ierīce radīs dzirksteles, kas aizdeg degli.

 Vienmēr sāciet tikai ar viena galvenā degļa aizdegšanu. Nekad neaizdedziet visus galvenos degļus vienlaikus.

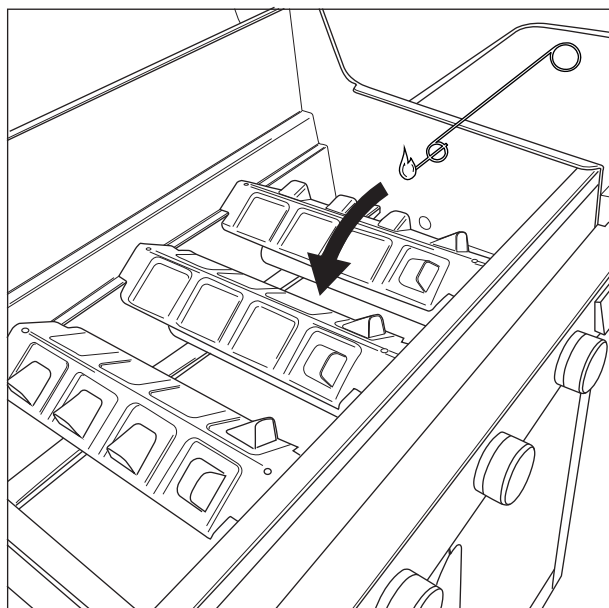
- 4 Ja degli neizdodas aizdegt ar trīs mēģinājumiem, iestatiet degļa vadības regulatoru uz OFF (Izslēgt), aizgrieziet gāzes pievadu un uzgaidiet 5 minūtes. Tas atbrīvos sakrājušos gāzi.
- 5 Vēlreiz mēģiniet aizdegt degli. Ja tas tomēr neizdodas, mēģiniet aizdegt degli ar sērkociņu vai skatiet "14 Kļūmju novēršana", lai noteiktu kļūmes iemeslu.

9.2.2 SĒRKOCIŅU IZMANTOŠANA


- 1 Ievietojiet sērkociņu sērkociņa turētājā.



- 2 Atveriet vāku un iestatiet galveno degļu vadības regulatorus uz OFF (Izslēgt).
- 3 Ja neviens cits deglis vēl nav aizdegts, atveriet gāzes pievadu un uzgaidiet desmit sekundes. Tas ļaus stabilizēt gāzes plūsmu.
- 4 Aizdedziet sērkociņu un turiet to aptuveni 13 mm attālumā no degļa.




- 5 Iestatiet viena degļa vadības regulatoru uz HIGH (Liela jauda).

 Vienmēr sāciet tikai ar viena galvenā degļa aizdegšanu. Nekad neaizdedziet visus galvenos degļus vienlaikus.

- 6 Ja degli neizdodas aizdegt 5 sekunžu laikā, iestatiet degļa vadības regulatoru uz OFF (Izslēgt), aizgrieziet gāzes pievadu un uzgaidiet 5 minūtes. Tas atbrīvos sakrājušos gāzi.
- 7 Vēlreiz mēģiniet aizdegt degli. Ja degli neizdodas aizdegt, skatiet "14 Kļūmju novēršana", lai noteiktu kļūmes cēloni.

9.3 Sānu degļa aizdegšana

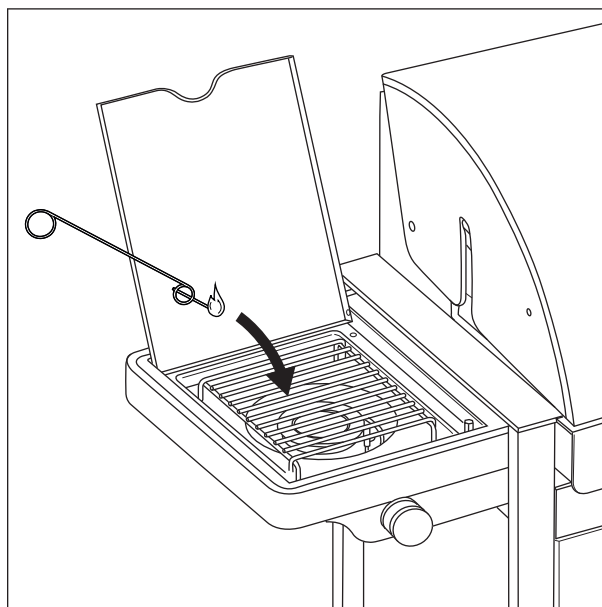
 Uz sānu degļa drīkst novietot tikai tādus virtuves piederumus, kuru svars nepārsniedz 9 kg un diametrs — 220 mm.

9.3.1 AIZDEGŠANAS IERĪCES LIETOŠANA

- 1 Atveriet vāku un iestatiet sānu degļa vadības regulatoru uz OFF (Izslēgt).
- 2 Ja neviens cits deglis vēl nav aizdegts, atveriet gāzes pievadu un uzgaidiet desmit sekundes. Tas ļaus stabilizēt gāzes plūsmu.
- 3 Iespiediet sānu degļa vadības regulatoru, iestatiet to uz HIGH (Liela jauda) un turiet iespiestu dažas sekundes. Iebūvētā aizdegšanas ierīce radīs dzirksteles, kas aizdeg sānu degli.
- 4 Ja degli neizdodas aizdegt ar trīs mēģinājumiem, iestatiet degļa vadības regulatoru uz OFF (Izslēgt), aizgrieziet gāzes pievadu un uzgaidiet 5 minūtes. Tas atbrīvos sakrājušos gāzi.
- 5 Vēlreiz mēģiniet aizdegt sānu degli. Ja tas tomēr neizdodas, mēģiniet aizdegt degli ar sērkociņu vai skatiet "14 Kļūmju novēršana", lai noteiktu kļūmes iemeslu.

9.3.2 SĒRKOCIŅU IZMANTOŠANA

- 1 Ievietojiet sērkociņu sērkociņa turētājā.
- 2 Atveriet vāku un iestatiet sānu degļa vadības regulatoru uz OFF (Izslēgt).
- 3 Ja neviens cits deglis vēl nav aizdegts, atveriet gāzes pievadu un uzgaidiet desmit sekundes. Tas ļaus stabilizēt gāzes plūsmu.
- 4 Aizdedziet sērkociņu un turiet to aptuveni 13 mm attālumā no sānu degļa.



- 5 Iestatiet sānu degļa vadības regulatoru uz HIGH (Liela jauda).
- 6 Ja sānu degli neizdodas aizdegt 5 sekunžu laikā, iestatiet degļa vadības regulatoru uz OFF (Izslēgt), aizgrieziet gāzes pievadu un uzgaidiet 5 minūtes. Tas atbrīvos sakrājušos gāzi.
- 7 Vēlreiz mēģiniet aizdegt sānu degli. Ja degli neizdodas aizdegt, skatiet "14 Kļūmju novēršana", lai noteiktu kļūmes cēloni.

9.4 Degļu izslēgšana

Ja degļus vairs neizmantojat, tie jāizslēdz. Rīkojieties šādi:

- 1 Aizgrieziet gāzes pievadu.
- 2 Iestatiet degļu vadības regulatorus uz OFF (Izslēgt).



Pēc gāzes pievada aizgriešanas pārliecinieties, ka ierīcē vairs nav gāzes.

9.5 Degļu atkārtota aizdegšana

Ja pēc degļa aizdegšanas, tas nodziest, rīkojieties šādi:

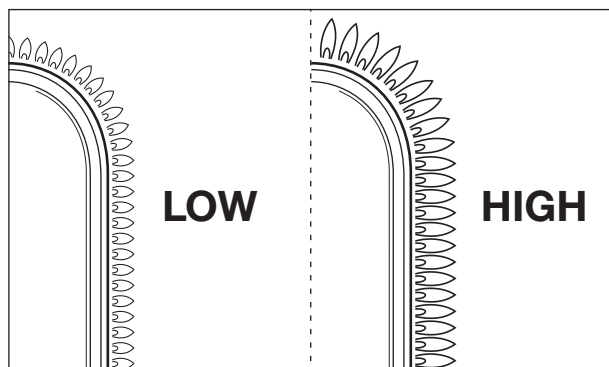
- 1 Atveriet vāku un aizgrieziet gāzes pievadu.
- 2 Iestatiet visus vadības regulatorus uz OFF (Izslēgt) un uzgaidiet 5 minūtes. Tas atbrīvos sakrājušos gāzi.
- 3 Vēlreiz aizdedziet degli(-ļus).

9.6 Liesmu pārbaude

Ik reizi aizdedzot degli, jāpārbauda degļa liesma. Pareiza liesma būs gandrīz pilnībā zilā krāsā ar dzeltenu maliņu augšpusē. Periodiska dzeltenu liesmu parādīšanās ir parasta parādība un nav kaitīga.

Ja liesmas nešķīst atbilstoši, veiciet kādu no turpmāk norādītajām darbībām.

Ja liesma ir...	Rīkojieties šādi...
Zema un pilnībā dzeltēna	<ol style="list-style-type: none"> 1 Nekavējoties noslēdziet gāzes pievadu un pārslēdziet visus vadības regulatorus uz OFF (Izslēgt). 2 Lai noteiktu kļūmes cēloni, skatiet "14 Kļūmju novēršana". Visdrīzāk ir nosprostotas Venturi caurules.
Augstāka par metāla bļodu	<ol style="list-style-type: none"> 1 Nekavējoties noslēdziet gāzes pievadu un pārslēdziet visus vadības regulatorus uz OFF (Izslēgt). 2 Uzgaidiet 5 minūtes, lai ļautu izkļūt akumulētajai gāzei. 3 Vēlreiz aizdedziet degli(-ļus). 4 Ja kļūmi neizdodas novērst, skatiet "14 Kļūmju novēršana", lai noteiktu kļūmes cēloni.



10 NODERĪGI PADOMI UN IETEIKUMI

10.1 Ierīces iesildīšana

Iesildot ierīci, pārliecinieties, ka pirms produktu novietošanas, restes ir pietiekami sakarsuša. Rīkojieties šādi:

- 1 Aizdedziet degli(-ļus) un iestatiet to vadības regulatoru(-us) uz HIGH (Liela jauda).
- 2 Aizveriet vāku un ļaujiet ierīcei darboties desmit minūtes.
- 3 Pēc desmit minūtēm atveriet vāku un novietojiet uz restēm produktus.
- 4 Ja tagad nepieciešams mazāks karstums, iestatiet vadības regulatoru(-us) zemākas jaudas stāvoklī.

10.2 Kā nepieļaut produktu pieķepšanu

Lai nepieļautu, ka produkti pieķep grilam:

- Pirms produktu novietošanas uz grila nedaudz uzklājiet tiem eļļu ar otiņu. Varat uzklāt eļļu arī pašam grilam.
- Uzkaršējiet ierīci. Jo karstāks būs grils, jo mazāka būs iespēja, ka produkti pieķeps.
- Neapgrieziet produktus par ātru. Ļaujiet tiem vispirms nedaudz apcepties.

10.3 Tiešā un netiešā grilēšana

Atkarībā no pagatavojamā ēdiena un tā pagatavošanas veida ir iespējama tiešā vai netiešā grilēšana:

Paņēmiens	Apraksts	Lietošana
Tiešā grilēšana	Novietojiet produktus tieši uz aizdegtā degļa, iestatiet šo degli jaudīgas liesmas režīmā un neaizveriet ierīci vāku.	Gaļas un dārzeņu apcepšanai.
Netiešā grilēšana	Novietojiet produktus blakus aizdegtam deglim, iestatiet šo degli vidējas/zemas liesmas režīmā un aizveriet ierīces vāku.	Apceptās gaļas turpmāka cepšana.



Veicot grilēšanu zem aizvērtā vāka, sekojiet vāka termometra rādījumam, lai pārliecinātos, ka ierīce pārmērīgi nesakarst. Skatiet "10.5 Temperatūras uzraudzība".

10.4 Grilēšana ar aizvērtu vāku

Grilēšanai ar aizvērtu vāku ir dažas būtiskas priekšrocības:

- Restu temperatūra ir augstāka un vienmērīgāka.
- Tiek samazināts ēdiena gatavošanas laiks, taču nemazinās tā sulīgums.
- Ir mazāk uzliesmojumu un mazāks gāzes patēriņš.




Veicot grilēšanu zem aizvērtā vāka, sekojiet vāka termometra rādījumam, lai pārliecinātos, ka ierīce pārmērīgi nesakarst. Skatiet "10.5 Temperatūras uzraudzība".

10.5 Temperatūras uzraudzība

Jūsu ierīce ir aprīkota ar jaudīgiem degļiem, tādēļ ierīce ātri sakarst un ļauj uzturēt vienmērīgu temperatūru. Tomēr, grilējot zem aizvērtā vāka, jums jāpārliecinās, ka ierīce nesakarst pārmērīgi. Uzraugiet vāka termometru un ievērojiet šādas vadlīnijas:

- Parastā produktu gatavošanas temperatūra ir aptuveni 210 °C. Ja temperatūra ir augstāka, pilošie un sakrājušies tauki var uzliesmot.
- Neizmantojiet temperatūru, kas augstāka par 300 °C, ilgāk par piecām minūtēm. Tādā temperatūrā ierīce var tikt sabojāta un deformēta.

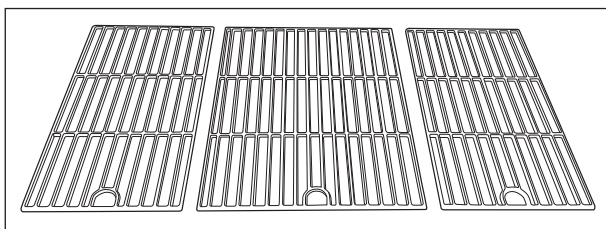
 Ja ierīce pārmērīgi sakarst, atdzesējiet to, atverot vāku un iestatot degļus zemākas jaudas režīmā.

10.6 Karstuma optimāla izmantošana

Metāla bļodas vidusdaļa ir karstākā nekā malas. Lai izmantotu visu karstākās daļas potenciālu, ierīce ir aprīkota ar dažādu lielumu restēm. Ierīces komplektā ir:

- Vienas lielas restes, kas novietojamas bļodas vidusdaļā.
- Divas mazākas restes, kas novietojamas bļodas malās.


Ja restes ievietotas bļodā pareizi un visi degļi aizdegti, vidējās restes tiks maksimāli sakarsētas. Tādējādi varēsīt paplašināt bļodas karstāko daļu un optimāli izmantot restu virsmu.



10.7 Karstuma zonu priekšrocību izmantošana

Pēc degļu aizdegšanas degļu pārsegi vienmērīgi izplata karstumu pa visu grilu. Tomēr dažas zonas ir karstākas nekā pārējās. Jūs varat izmantot šīs karstās zonas, lai pilnībā izceptu produktus:

Zona	Vai karsta?	Izmantojiet, lai...
Priekšpuse	Karsta	Grilējiet jutīgus produktus (garneles, zivis u.c.)
Centrā	Karstāka	Sagatavojiet produktus, kuru pagatavošanai nepieciešams zināms laiks (piemēram, desiņas, vista u.c.)
Aizmugure	Karstākā	Gaļas un dārzeņu apcepšanai

 Varat arī izveidot karstuma zonas, izmēģinot degļu jaudas iespējas. Ir iespējams, piemēram, iestatīt degļi zemākas jaudas režīmā un izmantot zonu virs degļa jutīgiem produktiem vai produktiem, kuru gatavošanai nepieciešams zināms laiks.

10.8 Kā izvairīties no uzliesmojumiem

Grilēšanas laikā daži uzliesmojumi ir parasta parādība. Taču pārāk bieži uzliesmojumi paaugstinās ierīces temperatūru un var aizdedzināt uzkrājušos taukus. Lai nepieļautu uzliesmojumus:

- Sākot grilēšanu, pārliecinieties, ka metāla bļoda ir tīra. Pirms katras lietošanas ieteicams ievietot metāla bļodā jaunu Leaf® (Loksne). Skatiet "11.2 Metāla bļodas tīrīšana".
- Regulāri pārbaudiet, vai tauku izliešanas atvere nav aizsērējusi, un tauku savākšanas paplāte vai kauss jau nav pilns.
- Grilējot taukainu gaļu, atdaliet liekos taukus, aizveriet vāku un iestatiet degļus vidējās vai zemas liesmas režīmā.

11 IERĪCES APKOPE

11.1 Restu tīrīšana

Ieteicams pēc katras lietošanas tīrīt restes ar Barbecue cleaner. Tīrījieties šādi:

- 1 Izsmidziniet uz restēm putas un ļaujiet tām kādu laiku iedarboties.
Kad putas atmieksē netīrumus un taukvielas, tās zaudē krāsu.
- 2 Notīriet putas ar mīkstu sūkli un ūdeni, tad kārtīgi noskalojiet restes.
- 3 Pilnībā nosusiniet restes un uzglabājiet tās sausā vietā. Tas nepieļaus rūsas veidošanos.



Varat tīrīt restes arī ar saudzīgu mazgāšanas līdzekli vai dzeramo sodu. Restu tīrīšanai neizmantojiet cepeškrāsns tīrītājus.

11.2 Metāla bļodas tīrīšana

Ieteicams tīrīt metāla bļodu pēc katras grilēšanas. Ērtākais veids, kā to izdarīt, ir pirms grilēšanas ievietot bļodā Leaf® (Loksne). Leaf® (Loksne) ir folija, kas pilnībā ieguļas bļodā un uztver visas ēdiena atliekas un taukus. Kad ierīce atdzisusi, vienkārši noņemiet Leaf® (Loksne) un bļoda ir tīra.



Reģistrējiet ierīci vietnē www.barbecue.com, lai uzzinātu, kāda veida Leaf® (Loksne) jums nepieciešama.

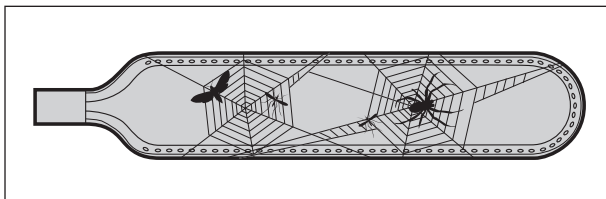
11.3 Degļu vai Venturi cauruļu tīrīšana

11.3.1 KĀDĒĻ JĀTĪRA DEGĻI UN VENTURI CAURULES

Degļos un Venturi caurulēs var izveidoties zirnekļu tīkli vai kukaiņu ligzdas. Tās var nosprostot gāzes piegādi degļiem. Rezultātā:

- Nevarēsīt aizdegt degļus. Ja tomēr mēģināsīt tos aizdegt, sāksies dūmošana un parādīsies dzeltenas liesmas.
- Gāze var aizdegties ārpus Venturi caurulēm pie vadības regulatoriem. Šādu aizdegšanos mēdz dēvēt par

uzliesmojumiem; tie var izraisīt smagas traumas un materiālos zaudējumus.



i Bojājumi, kas radušies aizsērējušu degļu un Venturi cauruļu dēļ, tiks uzskatīti par neatbilstošu apkopi un uz tiem neattieksies garantija.

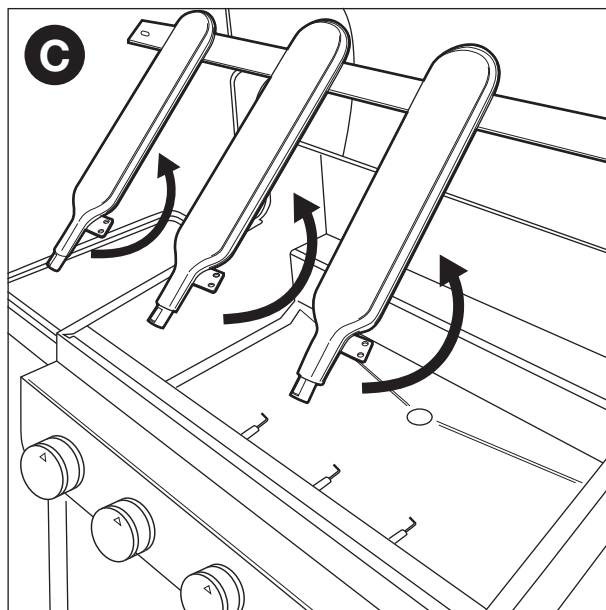
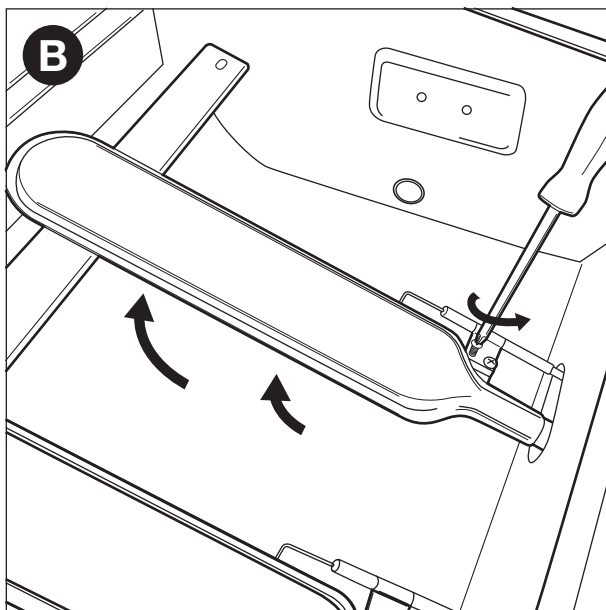
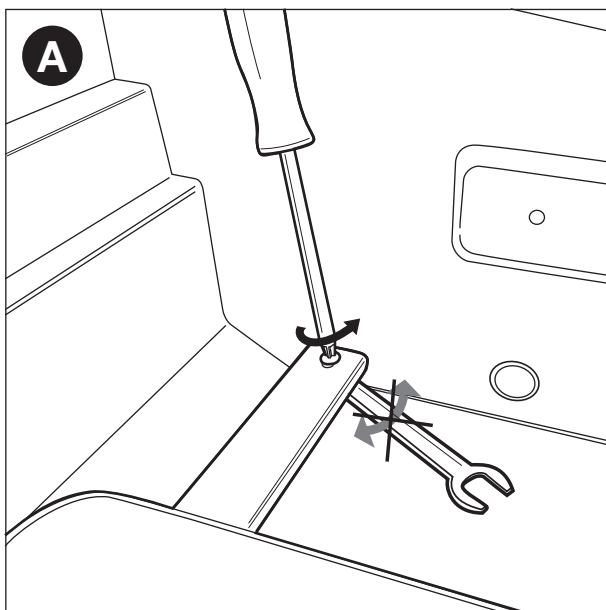
11.3.2 KAD JĀTĪRA DEGLĪ UN VENTURI CAURULES

Ierīces degļi un Venturi caurules jātīra:

- Ja lietojat ierīci pirmo reizi pēc ilgstoša pārtraukuma.
- Vismaz divas reizes gadā; vienu — sezonas sākumā.

11.3.3 LAI IZTĪRĪTU DEGLĪS VAI VENTURI CAURULES

1 Izņemiet degļus no ierīces, kā parādīts attēlos. Ja konstatējat, ka deglis bojāts, nomainiet to.



- 2 Tīriet degļus un Venturi caurules ar mazu suku vai paštaisītu cauruļu tīrītāju (atlocītu saspraudi, cauruļu suku u.c.).
- 3 Novietojiet degļus atpakaļ paredzētajā vietā. Sekojiet, lai Venturi caurules būtu novietotas virs gāzes vārstu atverēm.

11.4 Emaljas, nerūsējošā tērauda un ar pulveri klāto daļu uzturēšana

Ierīci veido emaljas, nerūsējošā tērauda un ar pulveri klātas daļas. Katrs materiāls jāapkopj citādi:

Materiāls	Kā uzturēt šo materiālu
Emalja	<ul style="list-style-type: none"> • Neizmantojiet asus priekšmetus un sargieties to atsist pret cietu virsmu. • Nepakļaujiet sakarsušu emaljas pārklājumu aukstu šķidrums iedarbībai. • Varat izmantot metāla sūkļus un abrazīvus mazgāšanas līdzekļus.
Nerūsējošais tērauds	<ul style="list-style-type: none"> • Nelietojiet agresīvus, abrazīvus un metāla tīrīšanas līdzekļus. • Tērauda tīrīšanai izmantojiet saudzīgus mazgāšanas līdzekļus. • Lietojiet mīkstu sūkli vai drānu. • Pēc tīrīšanas kārtīgi noskalojiet un pirms uzglabāšanas rūpīgi nosusiniet.
Ar pulveri pārklātās	<ul style="list-style-type: none"> • Neizmantojiet asus priekšmetus. Lietojiet saudzīgus mazgāšanas līdzekļus, mīkstu sūkli vai drānu. • Pēc tīrīšanas kārtīgi noskalojiet un pirms uzglabāšanas rūpīgi nosusiniet.

⚠ Lai nepieļautu rūsas veidošanos uz nerūsējošā tērauda, nepieļaujiet saskari ar hlору, sāli vai dzelzi. Ieteicams neizmantojot ierīci ūdens tilpņu, dzelzceļu un peldbaseinu tuvumā.

⚠ Bojājumi, kas radušies, neievērojot šos norādījumus, tiks uzskatīti par nepiemērotu apkopi un uz tiem neattieksies garantija.

Zem jūsu ierīces izvērstā skata (otra rokasgrāmatas daļa) atradīsiet visu ierīces sastāvdaļu sarakstu. Šajā sarakstā ir iekļauts simbols, kas norāda katras daļas materiālu, tādēļ varat to

izmantojot, lai noteiktu, kā uzturēt attiecīgo detaļu. Daļu sarakstā ir šādi simboli:

Simbols	Materiāls
●	Emalja
■	Nerūsējošais tērauds
★	Ar pulveri pārklātās

11.5 Ierīces uzglabāšana

Ja ilgstoši neizmantos ierīci, novietojiet to sausā vietā. Pirms ierīces novietošanas uzglabāšanai:

- Atvienojiet gāzes balonu. Neuzglabāiet ierīci telpās (pat ne garāžā vai šķūnītī), ja tai pievienots gāzes balons.
- Izīriet degļus un grilu, noberziet tos ar eļļu un ietiniet papīrā.
- Ja jūsu ierīce ir aprīkota ar iesma degli, izņemiet iesma degļa motoru un uzglabāiet to sausā vietā.
- Pārsedziet ierīci ar Barbecue pārsegu. Lai uzzinātu, kāds pārsegs nepieciešams, reģistrējiet ierīci vietnē www.barbecue.com.

11.6 Gāzes balonu uzglabāšana

Šie norādījumi attiecas gan uz tukšiem, gan pilniem gāzes baloniem.

- Uzglabāiet gāzes balonus tikai ārpus telpām, labi vēdināmā vietā. Pārļiecinieties, ka tie netiek pakļauti pārmērīgam karstumam vai tiešiem saules stariem.
- Neuzglabāiet gāzes balonu vietā, kas var sakarst līdz augstai temperatūrai (automašīnā, laivā u.c.).
- Nekad neuzglabāiet gāzes balonu vai rezerves gāzes cilindru ierīces korpusā.
- Neuzglabāiet rezerves gāzes balonu gāzes ierīces tuvumā, kas to lietojat.
- Uzglabāiet gāzes balonus bērniem nesasniedzamā vietā.
- Vienmēr uzglabāiet un transportējiet gāzes balonus stateniski.

11.7 Rezerves daļu pasūtīšana

Daļas, kas pakļautas tiešai uguns vai intensīva karstuma iedarbībai periodiski jānomaina. Lai pasūtītu rezerves daļu:

- 1 Sameklējiet vajadzīgās daļas atsauces numuru. Visu atsauces numuru sarakstu var atrast zem izvērstajiem skatiem šīs rokasgrāmatas otrajā daļā un vietnē www.barbecue.com.



Ja reģistrējāt savu ierīci tiešsaistē, tiks automātiski parādīts atbilstošais saraksts.

- 2 Pasūtiet rezerves daļu ierīces pārdošanas vietā. Rezerves daļas ir iespējams pasūtīt gan garantijas periodā, gan pēc tā beigām.

12 GARANTIJA

12.1 Uz ko attiecas garantija

Jūsu ierīcei ir divu gadu garantijas termiņš, kas sākas no iegādes dienas. Šī garantija attiecas uz visiem izgatavošanas defektiem, ar nosacījumu, ka:

- Ierīce tiek izmantota, samontēta un uzturēta saskaņā ar šīs rokasgrāmatas norādījumiem. Nepareizas montāžas vai apkopes radīti bojājumi netiek uzskatīti par izgatavošanas defektiem.
- Varat uzrādīt ierīces iegādes čeku un unikālo sērijas numuru. Šis sērijas numurs sākas ar burtu G, kuram seko 15 cipari. To var atrast:
 - Šajā rokasgrāmatā un uz darba sākšanas pakotnes, kurā ietilpst šī rokasgrāmata.
 - Uz ierīces iepakojuma.
 - Uz veida uzlīmes ierīces durvju iekšpusē (Quisson, Siesta 4 un Siesta 6) vai priekšējā apakšējā paneļa iekšpusē (Spring, Siesta 2 un Siesta 3).
- Barbecue kvalitātes nodaļa apstiprina, ka daļas ir bojātas un ka tās izrādījušās bojātas parastā darbības režīmā, lietojot pareizi samontētu un apkoptu ierīci.

Ja kāds no iepriekš minētajiem nosacījumiem nav izpildīts, jūs nevarat pieprasīt nekādu kompensāciju. Jebkurā gadījumā garantija attiecas tikai uz bojātās daļas(-u) remontu un nomaiņu.

12.2 Uz ko garantija neattiecas

Garantija neattiecas uz tālāk aprakstītiem bojājumiem un defektiem:

- Parasts tieši ugunij vai intensīva karstuma iedarbībai pakļauto daļu nodilums un nolietojums (rūsēšana, deformēšanās, krāsas zudējums...). Šīm daļām nepieciešama regulāra nomaņa parasta darba apstākļos.
- Vizuālas nepilnības, no kurām nav iespējams izvairīties ražošanas procesā. Šīs nepilnības nav uzskatāmas par ražošanas defektiem.
- Visi nepiemērotas apkopes, nepareizas uzglabāšanas, montāžas vai iepriekš salikto daļu pārveidošanas radītie bojājumi.
- Visi ierīces nepareizas lietošanas un nevērīgas attieksmes radītie bojājumi (ierīce netiek lietota saskaņā ar šīs rokasgrāmatas norādījumiem; to izmanto komerciāliem nolūkiem...).
- Visi ierīces nevērīgas un neatbilstošas lietošanas radītie bojājumi.
- Rūsa vai krāsas zudums, ko rada ārēja ietekme, agresīvu mazgāšanas līdzekļu lietošana, hlora iedarbība... Šie bojājumi netiek uzskatīti par ražošanas defektiem.

13 TEHNISKIE DATI

13.1 Tipa plāksnīte

Tipa plāksnītē ietverti visi jūsu ierīces tehniskie dati. To var atrast:

- Šīs rokasgrāmatas otrajā sadaļā.
- Ierīces korpusa lūkas iekšpusē.

13.2 Iesmidzinātāja diametri

- Galvenais deglis: 0,991 mm
- Sānu deglis: 0,88 mm

14 KĻŪMJU NOVĒRŠANA

Kļūme	Iespējamais iemesls(-i)	Risinājums(-i)
Nepietiek karstuma	<ul style="list-style-type: none"> Nav atvērts gāzes pievads Virs gāzes vārstu atverēm nav novietotas Venturi caurules Aizsērējušas degļu atveres Tukšs (vai gandrīz tukšs) gāzes balons Spiediena regulators nav pareizi pievienots gāzes balonam un/vai šļūtenei 	<ul style="list-style-type: none"> Atveriet gāzes pievadu Novietojiet virs gāzes vārstu atverēm Venturi caurules Iztīriet degļu atveres vai nomainiet degļus Nomainiet gāzes balonu Atkārtoti pievienojiet spiediena regulatoru gāzes balonam un/vai šļūtenei
Pārmērīgs karstums un/vai uzliesmojumi	<ul style="list-style-type: none"> Produkti ir pārāk taukaini Aizsērējusi tauku izliešanas atvere, tauki ir bļodā un/vai uz degļiem Nav pareizi uzstādīti degļu pārsegi Temperatūra ir par augstu 	<ul style="list-style-type: none"> Atdaliet liekos taukus un iestatiet degļus zemas jaudas režīmā Iztīriet tauku izliešanas atveri, bļodu un degļus Uzstādiet degļu pārsegus pareizi Iestatiet degļus zemas jaudas līmenī un/vai grīlējiet produktus netiešā režīmā
Karstums neizplatās vienmērīgi pa visu grila virsmu	Neliela karstuma atšķirība ir parasta parādība; skatiet "11.6 Karstuma optimāla izmantošana" un "11.7 Karstuma zonu priekšrocību izmantošana". Iespējamie lielu karstuma izplatīšanās atšķirību iemesli: <ul style="list-style-type: none"> Nav pareizi uzstādīti degļu pārsegi Ierīce nav iepriekš uzsildīta 	<ul style="list-style-type: none"> Uzstādiet degļu pārsegus pareizi Iesildiet ierīci
Dzeltena liesma	<ul style="list-style-type: none"> Aizsērējuši degļi vai Venturi caurules Uz degļiem ir sāls Ierīce pieslēgta butāna gāzes avotam 	<ul style="list-style-type: none"> Iztīriet degļus vai Venturi caurules Iztīriet degļus Pievienojiet ierīci propāna gāzes avotam, izmantojot atbilstošu spiediena regulatoru
Liesma nav visā deglī	Aizsērējis, saplaisājis vai sarūsējis deglis	Iztīriet vai nomainiet degli
Uzliesmojumi (liesmas ārpus Venturi caurulēm/pie vadības regulatoriem)	Aizsērējuši degļi vai Venturi caurules	<ol style="list-style-type: none"> Noslēdziet gāzes pievadu un iestatiet degļus uz OFF (Izslēgts). Ļaujiet ierīcei atdzist Iztīriet degļus vai Venturi caurules
Liesmas augstākas par bļodas malu	<ul style="list-style-type: none"> Daudz vēja Tukšs (vai gandrīz tukšs) gāzes balons Tauki bļodā un/vai uz degļiem 	<ul style="list-style-type: none"> Novietojiet ierīci ar aizmuguri pret vēju Nomainiet gāzes balonu Iztīriet bļodu, degļus un nomainiet Leaf® (Loksni)
Spiediena regulators dūc	<ul style="list-style-type: none"> Augsta apkārtējā gaisa temperatūra Jauns (pilns) gāzes balons 	Nav jāuzskata par apdraudējumu vai kļūmi Pēc kāda brīža jāapkļūst bez palīdzības
Iestatot uz LOW (Zema jauda), degļi rada svilpošu skaņu	Netīrs gāzes iesmidzinātājs, Venturi caurule un/vai deglis	Iztīriet gāzes iesmidzinātāju, Venturi cauruli un degli
Nevar aizdegt degli (izmantojot aizdegšanas ierīci vai sērkokciņu)	<ul style="list-style-type: none"> Aizsērējis deglis vai Venturi caurule Nav gāzes 	<ul style="list-style-type: none"> Iztīriet degli un Venturi cauruli Atveriet gāzes pievadu un nospiediet spiediena regulatora drošības pogu (nav visiem regulatoriem)
Nevar aizdegt degli ar aizdegšanas ierīci	<ul style="list-style-type: none"> Nav ievietota baterija vai arī tā ievietota nepareizi Nepareizi uzstādīts aizdegšanas ierīces vadojums Bojāts elektrods Bojāts zemējums Bojāta aizdegšanas ierīce 	<ul style="list-style-type: none"> Vēlreiz ievietojiet bateriju ar pareizi vēršiem kontaktiem Pārbaudiet un atkārtoti savienojiet visus aizdegšanas ierīces savienojumus Nomainiet elektrodu Pārbaudiet un atkārtoti salieciet elektrodus, degļus un aizdegšanas ierīci Nomainiet aizdegšanas ierīci

Kļūme	Iespējamais iemesls(-i)	Risinājums(-i)
Nospiežot aizdegšanas ierīci, nav nedz dzirksteļu, nedz skaņas	<ul style="list-style-type: none"> Nav ievietota baterija vai arī tā ievietota nepareizi Tukša baterija Nepareizi salikta aizdegšanas ierīces poga Bojāts dzirksteļu ģenerators 	<ul style="list-style-type: none"> Vēlreiz ievietojiet bateriju ar pareizi vēršiem kontaktiem Nomainiet bateriju No jauna salieciet aizdegšanas ierīces pogu Nomainiet dzirksteļu ģeneratoru
Nospiežot aizdegšanas ierīci, dzirdama tikai skaņa (nav dzirksteļu)	<ul style="list-style-type: none"> Bojāts zemējums Deglis un elektrods atrodas pārāk tālu viens no otra 	<ul style="list-style-type: none"> Vēlreiz pievienojiet dzirksteļu ģeneratoru un elektrodus Pielieciet elektrodu nedaudz tuvāk deglim
Redzamas dzirksteles, kuru izcelšanās avots nav degļi	Bojāts vadojums	Nomainiet vadojumu
Redzamas dzirksteles, taču ne no visiem elektrodiem un/vai tās nav pietiekami spēcīgas	<ul style="list-style-type: none"> Bojāts zemējums Baterijā nepietiek enerģijas Mitri vai bojāti elektrodi 	<ul style="list-style-type: none"> Vēlreiz pievienojiet dzirksteļu ģeneratoru un elektrodus Nomainiet bateriju Nosusiniet elektrodus ar papīra dvieļiem vai nomainiet elektrodus

PL – INSTRUKCJA UŻYTKOWNIKA


1	Zarejestruj swoje urządzenie.....	314	10	Przydatne wskazówki i porady	321
2	O niniejszej instrukcji.....	314		• Podgrzewanie urządzenia	321
3	Ważne instrukcje dot. bezpieczeństwa.....	314		• Zapobieganie przywieraniu żywności	321
	• Zapoznanie się i przestrzeganie instrukcji.....	314		• Grillowanie bezpośrednio i pośrednio	321
	• Zachować ostrożność podczas obchodzenia się z gazem.....	314		• Grillowanie z zamkniętą pokrywą.....	321
	• Wybór odpowiedniej lokalizacji	314		• Kontrolowanie temperatury	321
	• Kierowanie się zdrowym rozsądkiem	314		• Optymalne wykorzystanie ciepła.....	322
4	Powtarzające się pojęcia.....	315		• Korzystanie ze stref ciepła	322
	• Zwężki Venturiego	315		• Unikanie wybuchów płomieni	322
	• Pokrywy palnika	315	11	Konserwacja urządzenia	322
	• Emalia.....	315		• Czyszczenie kratki.....	322
	• Wybuchy płomieni.....	315		• Czyszczenie kotła.....	322
5	Montaż urządzenia.....	315		• Czyszczenie palników i zwęzek Venturiego	323
	• Instrukcje dot. bezpieczeństwa	315		• Konserwacja części pokrytych emalią, stalą nierdzewną oraz malowanych proszkowo.....	323
	• Montaż urządzenia	316		• Przechowywanie urządzenia	324
6	Podłączanie gazu do urządzenia	316		• Przechowywanie butli z gazem	324
	• Która butla, wąż i regulator?.....	316		• Zamawianie części zamiennych.....	324
	• Instrukcje dot. bezpieczeństwa.....	316	12	Gwarancja.....	324
	• Podłączanie węża do urządzenia	316		• Zakres gwarancji	324
	• Podłączanie węża i butli do regulatora.....	317		• Wyłączenie gwarancji.....	324
	• Wymiana butli.....	317	13	Specyfikacje techniczne	325
7	Sprawdzanie pod kątem nieszczelności gazu	317		• Tabliczka znamionowa	325
	• Dlaczego przeprowadzać kontrolę pod kątem nieszczelności gazu?.....	317		• Średnice dyfuzora	325
	• Kiedy należy przeprowadzić kontrolę pod kątem nieszczelności gazu?.....	317	14	Wykrywanie i usuwanie usterek.....	326
	• Instrukcje dot. bezpieczeństwa.....	317			
	• Potrzebne materiały.....	318			
	• W celu przeprowadzenia kontroli pod kątem nieszczelności gazu.....	318			
	• W przypadku nieszczelności gazu	318			
8	Przygotowanie urządzenia do użytku	318			
	• Przed każdym użyciem.....	318			
	• Przed pierwszym użyciem (po długim okresie przechowywania).....	319			
	• Przepalanie urządzenia.....	319			
9	Zapalanie palników	319			
	• Instrukcje dot. bezpieczeństwa.....	319			
	• Zapalanie palników głównych	319			
	• Zapalanie palnika bocznego.....	320			
	• Zachować ostrożność podczas obchodzenia się z gazem.....	314			
	• Ponowne zapalanie palników	321			
	• Kontrola płomieni	321			


1 ZAREJESTRUJ SWOJE URZĄDZENIE

Dziękujemy za zakup urządzenia Barbecook! Mamy nadzieję, że dzięki niemu mile spędzą Państwo czas podczas grillowania.

W celu zwiększenia satysfakcji z korzystania zarejestruj swoje urządzenie na stronie www.barbecook.com. Zajmie to zaledwie kilka minut i zapewni wiele korzyści:

- Zyskasz dostęp do naszych spersonalizowanych usług posprzedażnych. Umożliwią one na przykład szybkie wyszukanie części zamiennych do urządzenia lub skorzystanie z optymalnej usługi gwarancyjnej.
- Możemy poinformować o interesujących aktualizacjach produktu oraz skierować do informacji dot. produktu oraz specyfikacji, które odnoszą się do danego urządzenia.

 W celu uzyskania dodatkowych informacji dot. rejestracji urządzenia należy odwiedzić stronę www.barbecook.com.

 Barbecook szanuje prywatność danych. Dane nie będą sprzedawane, przekazywane ani udostępniane stronom trzecim.

2 O NINIEJSZEJ INSTRUKCJI


Instrukcja ta składa się z dwóch części.

- Pierwszą część właśnie Państwo czytają. Obejmuje ona instrukcje montażu, korzystania i konserwacji urządzenia.
- Drugą część zaczyna się na stronie 379. Obejmuje ona wszystkie rodzaje rysunków dot. urządzenia (widoki urządzenia rozłożonego na części, rysunki montażowe, tabliczki znamionowe), które są opisane w niniejszej instrukcji.

3 WAŻNE INSTRUKCJE DOT. BEZPIECZEŃSTWA

3.1 Zapoznanie się i przestrzeganie instrukcji

Należy przeczytać instrukcje przed rozpoczęciem korzystania z urządzenia. Należy zawsze przestrzegać dokładnie instrukcji. Montaż lub korzystanie z urządzenia w inny sposób mogą spowodować pożar lub uszkodzenie materiału.

 Uszkodzenia spowodowane nieprzebraniem instrukcji (nieprawidłowy montaż, niewłaściwe użycie, niewystarczająca konserwacja) nie są objęte gwarancją.

3.2 Zachować ostrożność podczas obchodzenia się z gazem

Praca z gazem jest całkowicie bezpieczna, jednak wymaga dodatkowej ostrożności:

- Zawsze przechowywać butle gazowe na zewnątrz w dobrze wentylowanym miejscu. Upewnić się, że nie są one wystawione na działanie nadmiernego ciepła lub bezpośrednich promieni słonecznych.
- Nigdy nie przechowywać butli gazowej lub zapasowej butli gazowej w szafce urządzenia.
- Podczas korzystania umieścić butlę gazową na wózku na butlę z boku urządzenia.
- Nigdy nie przechowywać zapasowej butli gazowej w pobliżu urządzenia podczas korzystania z niego.
- Zawsze zakręcać zasilanie gazowe w butli gazowej po każdym użyciu.

- Nigdy nie palić w pobliżu używanego urządzenia gazowego lub w pobliżu butli gazowej (pełnej/pustej).



W przypadku wyczuwania gazu niezwłocznie zamknąć zasilanie gazowe, zgasić wszystkie płomienie i otworzyć pokrywę urządzenia. Jeśli zapach się utrzymuje, skontaktować się z dostawcą gazu lub strażą pożarną.

3.3 Wybór odpowiedniej lokalizacji

Z urządzenia należy korzystać wyłącznie na zewnątrz. Korzystanie wewnątrz, nawet w garażu lub szopie, może spowodować zatrucie tlenkiem węgla.

Podczas wyboru lokalizacji na zewnątrz należy zawsze:

- Umieścić urządzenie w odległości co najmniej trzech metrów od budynku, w otwartym i dobrze wentylowanym obszarze.
- Należy upewnić się, że zapewniony jest swobodny przepływ powietrza do palników oraz otworów dopływu powietrza w kotle przez cały czas.
- Upewnić się, że urządzenie nie znajduje się pod konstrukcją podwieszaną (ganeł, zadaszenie...) lub pod listowiem.
- Umieścić urządzenie na twardej i stabilnej powierzchni. Nigdy nie umieszczać urządzenia na poruszającym się pojeździe (łódź, przyczepa...).

3.4 Kierowanie się zdrowym rozsądkiem

Podczas korzystania z urządzenia należy zawsze kierować się zdrowym rozsądkiem:

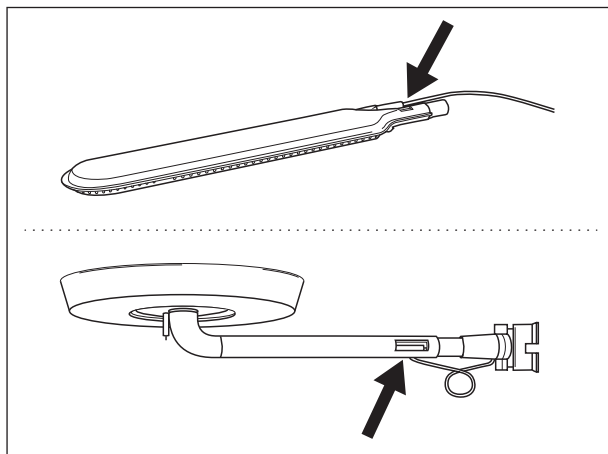
- Użytkować urządzenie wyłącznie na zewnątrz.
- Nie przenosić urządzenia podczas korzystania.
- Nie pozostawiać urządzenia bez nadzoru podczas korzystania, szczególnie w obecności dzieci i zwierząt.
- **OSTRZEŻENIE!** Niektóre dostępne części mogą stać się bardzo gorące. Trzymać poza zasięgiem dzieci.
- Podczas obchodzenia się z gorącymi częściami (pokrywa, grill...) należy stosować odpowiednią ochronę.
- Urządzenie musi być przechowywane z dala od palnych materiałów podczas korzystania.
- Należy przechowywać palne materiały, ciecze oraz obiekty rozpuszczalne z dala od używanego urządzenia.
- Nie stosować drewna, węgla drzewnego, kamienia wulkanicznego lub brykietu ceramicznego w urządzeniu gazowym.
- Nie stosować urządzenia po spożyciu alkoholu lub substancji odurzających.
- Nie modyfikować urządzenia.

4 POWTARZAJĄCE SIĘ POJĘCIA

Niniejsza część obejmuje definicje niektórych mniej popularnych pojęć. Pojęcia te są stosowane w różnych tematach niniejszej instrukcji.

4.1 Zwężki Venturiego

Zwężki Venturiego to niewielkie rurki dołączone do wejścia palników. Z boku zwężek Venturiego znajduje się otwór. Jest on widoczny po stronie głównych palników oraz palnika bocznego:



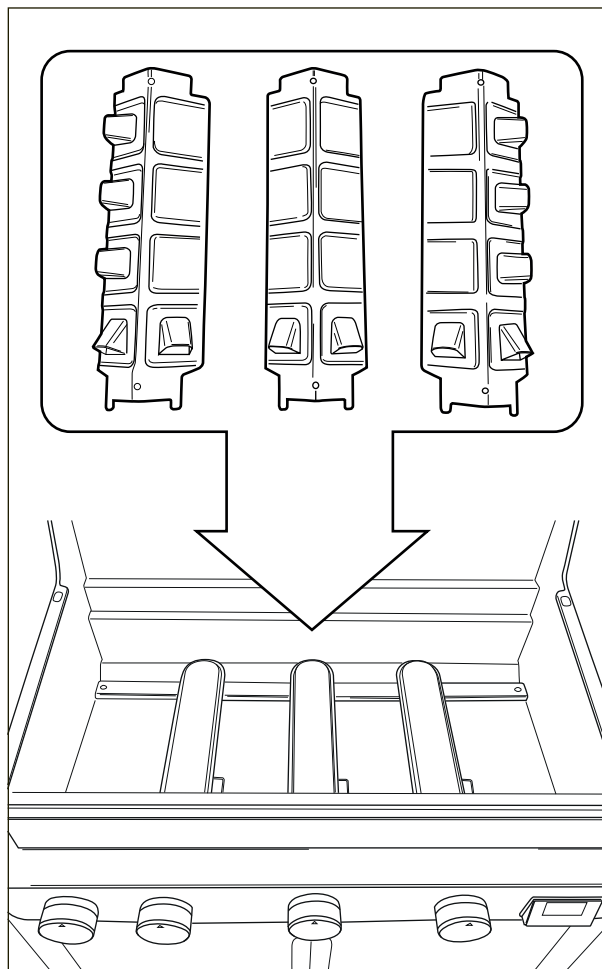
Gaz docierający do palników przechodzi przez zwężki Venturiego. Dzięki otworom po bokach gaz jest mieszany z powietrzem i – w rezultacie – z tlenem. Jest to niezbędne w celu umożliwienia dobrego zapłonu w palnikach: wyłącznie prawidłowa mieszanina gazu i tlenu zapewnia prawidłowy zapłon i będzie skutkować odpowiednim płomieniem.

4.2 Pokrywy palnika

Pokrywy palnika to pokrywy montowane nad palnikami urządzenia. Zabezpieczają one palniki przed kapiącym tłuszczem i odgrywają kluczową rolę w systemie Turbo Heating System. Przykryte otwory znajdujące się z boków pokryw rozpraszają ciepło po grillu, dzięki czemu nagrzewa się on szybciej i bardziej równomiernie.



Należy zwrócić szczególną uwagę na pokrywy palników podczas montażu urządzenia. System Turbo Heating System będzie działał prawidłowo, wyłącznie jeśli każda pokrywa zostanie zamontowana nad odpowiednim palnikiem.



4.3 Emalia

Niektóre części urządzenia są pokryte warstwą stopionego szkła, zwanego emalią. Emalia zabezpiecza znajdujący się pod nią metal przed korozją. Emalia jest materiałem o wysokiej jakości: jest odporna na rdzę, nie blaknie pod wpływem działania wysokiej temperatury i jest bardzo łatwa w konserwacji.



Ze względu na to, że emalia jest mniej elastyczna niż metal, który został nią pokryty, fragmenty emalii mogą odprysnąć w przypadku nieprawidłowego obchodzenia się z urządzeniem. W celu uniknięcia problemów należy zachować ostrożność podczas montażu emaliowanych części i zawsze konserwować emalię w sposób opisany w dalszej części tej instrukcji.

4.4 Wybuchy płomieni

Wybuchy płomieni to nagłe płomienie, które wystrzelają z kotta podczas grillowania. Są one zazwyczaj powodowane przez kapiący tłuszcz lub marynatę.

5 MONTAŻ URZĄDZENIA


5.1 Instrukcje dot. bezpieczeństwa


- Nie należy modyfikować urządzenia podczas jego montażu. Jest to bardzo niebezpieczne i z tego względu zabronione jest modyfikowanie części, które są wstępnie zamontowane i/lub uszczelnione przez producenta.
- Należy zawsze dokładnie przestrzegać instrukcji montażu.
- Użytkownik jest odpowiedzialny za prawidłowy montaż urządzenia. Uszkodzenia spowodowane w wyniku nieprawidłowego montażu nie są objęte gwarancją.

5.2 Montaż urządzenia

Niezbędny jest wkrętak krzyżakowy, śrubokręt płaski oraz bateria AA (zapalnik elektryczny). Jeśli urządzenie zostanie dostarczone z palnikiem rusztu, niezbędne są również dwie baterie D (silnik palnika rusztu). Baterie nie zostały dostarczone wraz z urządzeniem.

- 1 Umieścić urządzenie na płaskiej i czystej powierzchni.
- 2 Zmontować urządzenie w sposób przedstawiony na rysunkach montażowych. Można je znaleźć w drugiej części instrukcji, pod widokiem urządzenia rozebranego na części.

 Należy zachować ostrożność podczas montażu części emaliowanych. Narzędzia i śruby mogą uszkodzić emalię. Należy użyć dostarczonych w zestawie podkładek z materiału w celu zabezpieczenia emalii wokół śrub.

 W opakowaniach typu blister może znajdować się więcej śrub niż jest wymagane. Śruby można pozostawić po montażu.


6 PODŁĄCZANIE GAZU DO URZĄDZENIA


6.1 Która butla, wąż i regulator?

Przed podłączeniem gazu do urządzenia należy zakupić butlę gazową, wąż i regulator ciśnienia. Należy zawsze kupować materiały zgodne z normami krajowymi, rodzajem/-ami gazu oraz ciśnieniem/-nami nominalnym(i) podanym(i) na urządzeniu.

Poniższa tabela określa, którą butlę, wąż i regulator należy stosować. Na przykład w Belgii (BE) należy używać butli z propanem, z węzłem i regulatorem na 37 mbarów lub butli z butanem, z węzłem i regulatorem na 28-30 mbarów.

Kraj	Butla, wąż i regulator
DK, GR, NO, SE, EE, LT, LV, CZ, PL, MT, HU, SI, SK	Propan, 30 mbarów / butan, 30 mbarów
ES, GB, IE, PT, BE, FR, LU, IT	Propan, 37 mbarów / butan, 28-30 mbarów
NL	Propan, 30 lub 50 mbarów / butan, 30 mbarów
CY	Propan, 30 lub 37 mbarów / butan, 28-30 mbarów

 Zalecamy podłączenie urządzenia do propanu. Propan zapewnia wysokiej jakości spalanie i jest mniej podatny na zamarzanie.

 Należy kupować regulator ciśnienia oraz butlę gazową razem. Nie wszystkie regulatory pasują do wszystkich butli.

6.2 Instrukcje dot. bezpieczeństwa


- Nigdy nie podłączać butli bezpośrednio do urządzenia. Zawsze w pierwszej kolejności zamontować regulator ciśnienia na butli.
- Nigdy nie modyfikować wstępnie zmontowanych lub uszczelnionych części butli, węża lub regulatora ciśnienia.
- Utrzymywać minimalną długość węża (maks. 500 - 650 mm), aby zapobiec jego ciągnięciu po ziemi.

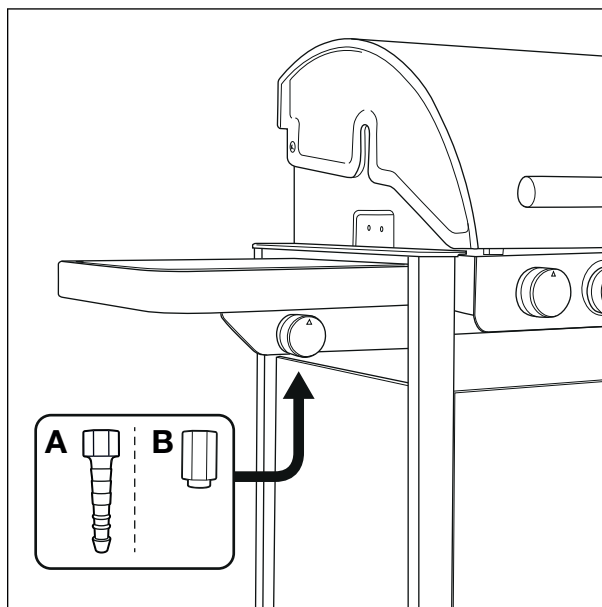
- Podczas podłączania butli gazowej, węża i regulatora ciśnienia:
 - Nigdy nie odkształcać węża.
 - Zawsze trzymać butlę w położeniu pionowym.
 - Nigdy nie otwierać zasilania gazowego.
- Sprawdzić pod kątem nieszczelności za każdym razem po przeprowadzeniu modyfikacji połączenia gazowego. Patrz "7 Sprawdzanie pod kątem nieszczelności gazu".

6.3 Podłączanie węża do urządzenia

W celu podłączenia węża do urządzenia należy zamontować złączkę na rurze gazowej urządzenia. Urządzenie jest dostarczone z dwoma złączkami, obydwooma przeznaczonymi do poszczególnych krajów:

Kraj	Złączka
BE, CH, CZ, DK, ES, FI, GB, IE, IT, PT, SI	Złączka A
FR	Złączka B

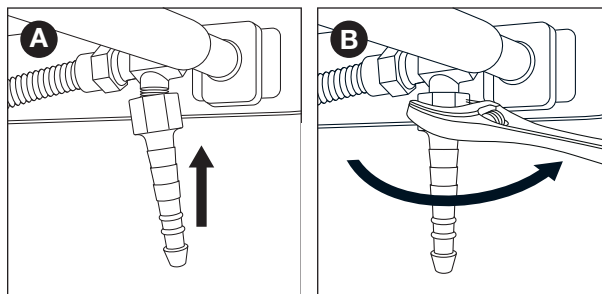
 Jeśli kraj nie znajduje się w tabeli, korzystać ze złączki zgodnej z krajowymi normami.



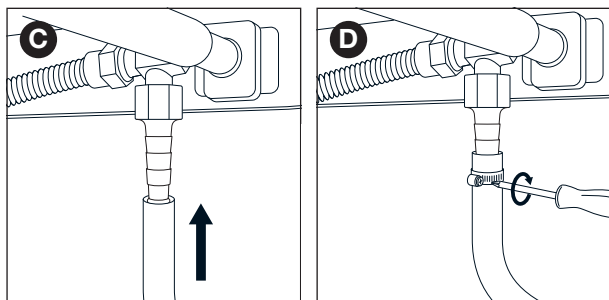
6.3.1 ZŁĄCZKA A

Wymagany jest klucz 19 mm oraz wkrętak krzyżakowy.

- 1 Wkręcić złączkę na rurę gazową urządzenia (A) i dokręcić ją kluczem 19 mm (B).



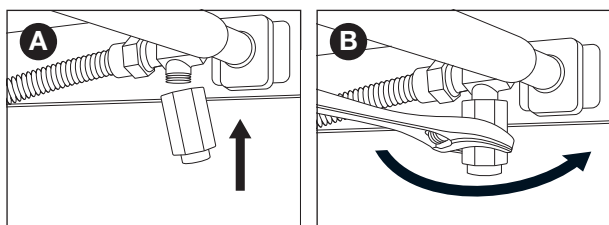
- Nasunąć wąż na złączkę (C) i dokręcić pierścień zaciskowy przy użyciu wkrętaka krzyżakowego.



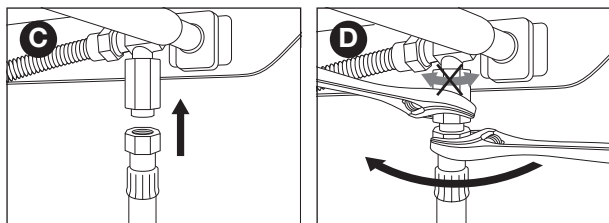
6.3.2 ZŁĄCZKA B

Wymagany jest klucz 22 mm oraz klucz nastawny.

- Wkręcić złączkę na rurę gazową urządzenia (A) i dokręcić ją kluczem 22 mm (B).



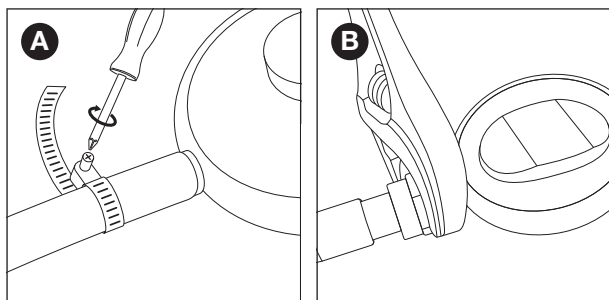
- Wkręcić wąż gazowy na złączkę (C) i dokręcić przy użyciu dwóch kluczy. Przytrzymać złączkę kluczem 22 mm, dokręcając wąż kluczem nastawnym (D).



6.4 Podłączanie węża i butli do regulatora

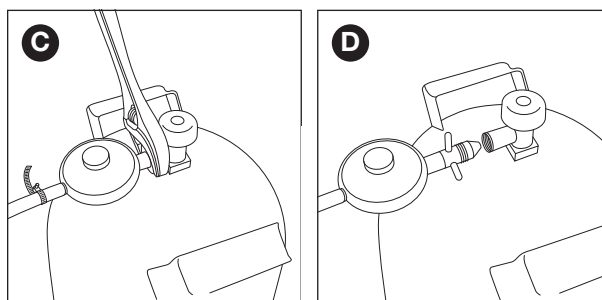
W zależności od rodzaju stosowanego regulatora ciśnienia niezbędny będzie wkrętak krzyżakowy i/lub klucz nastawny.

- Podłączyć wąż do regulatora ciśnienia. Należy wykonać jedną z poniższych czynności:
 - Jeśli na wężu znajduje się pierścień zaciskowy, nasunąć wąż na regulator i dokręcić pierścień zaciskowy przy użyciu wkrętaka krzyżakowego (A).
 - Jeśli na wężu znajduje się nakrętka, wkręcić wąż na regulator i dokręcić nakrętkę przy użyciu klucza nastawnego (B).



- Podłączyć regulator ciśnienia do butli gazowej. Należy wykonać jedną z poniższych czynności:

- Jeśli regulator posiada nakrętkę, wkręcić regulator w prawo na butlę i dokręcić nakrętkę przy użyciu klucza nastawnego (C).
- Jeśli regulator posiada gwint, wkręcić regulator w lewo na butlę (D).



6.5 Wymiana butli

- Zamknąć zasilanie gazowe i ustawić wszystkie pokrętki sterujące w położeniu OFF (WYŁ.).
- Odłączyć pustą butlę i podłączyć pełną.
- Sprawdzić butlę, wąż i połączenia gazowe pod kątem nieszczelności. Patrz "7 Sprawdzanie pod kątem nieszczelności gazu".

7 SPRAWDZANIE POD KĄTEM NIESZCZELNOŚCI GAZU

7.1 Dlaczego przeprowadzać kontrolę pod kątem nieszczelności gazu?

Propan i butan są cięższe od powietrza. Z tego względu nie unoszą się w przypadku ulatniania się z urządzenia. W szczególności w bezwietrzne dni nieszczelność może spowodować gromadzenie się gazu w pobliżu urządzenia. Nagromadzony gaz może następnie zapalić się i wybuchnąć.

7.2 Kiedy należy przeprowadzić kontrolę pod kątem nieszczelności gazu?

- Przed pierwszym użyciem lub po długim okresie nieużywania urządzenia.
- Należy również sprawdzić urządzenie pod kątem nieszczelności gazu w przypadku jego montażu przez dealera.
- Podczas każdej wymiany podzespołu gazowego.
- Co najmniej raz w roku, najlepiej na początku sezonu.

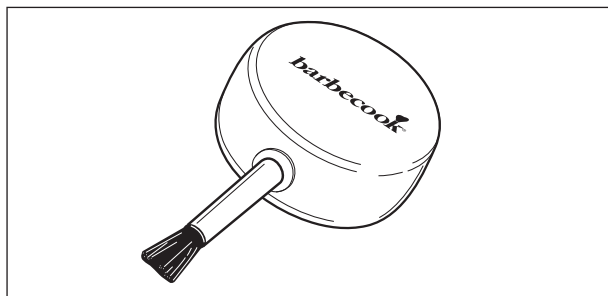
7.3 Instrukcje dot. bezpieczeństwa

- Umieścić urządzenie na zewnątrz w dobrze wentylowanym miejscu. Upewnić się, że w pobliżu urządzenia nie znajdują się płomienie ani źródła ciepła.
- Nigdy nie używać zapalniczki ani zapatek w celu sprawdzenia występowania nieszczelności gazu.
- Nie palić papierosów ani nie zapalać palników podczas sprawdzania występowania nieszczelności gazu.

7.4 Potrzebne materiały

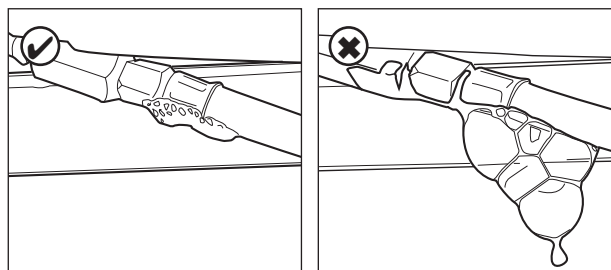
W celu sprawdzenia pod kątem nieszczelności gazu potrzebne są:

- Ciecz testowa. Można skorzystać z gotowego sprayu do wykrywania nieszczelności lub mieszaniny wody (50%) z płynem do mycia naczyń (50%).
- Narzędzie do wykrywania nieszczelności dostarczone z urządzeniem. Stosuje się je do wyssania cieczy testowej i naniesienia jej na sprawdzane podzespoły lub połączenia gazowe.



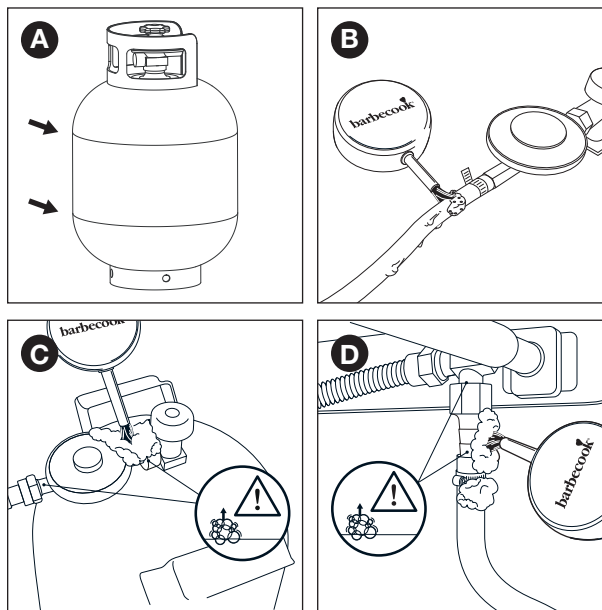
7.5 W celu przeprowadzenia kontroli pod kątem nieszczelności gazu

Sprawdzić pod kątem nieszczelności gazu, nanosząc ciecz testową na wszystkie podzespoły oraz połączenia gazowe. Powstawanie pęcherzyków powietrza na poszczególnych podzespołach lub połączeniach oznacza nieszczelność gazu:



Aby sprawdzić, czy występuje nieszczelność gazu, należy przeprowadzić poniższą procedurę:

- 1 Umieścić urządzenie na zewnątrz.
- 2 Przygotować narzędzie do badania nieszczelności oraz ciecz testową (spray do wykrywania nieszczelności lub mieszaninę wody z mydłem).
- 3 Otworzyć pokrywę i ustawić wszystkie pokrętki sterujące w położeniu OFF (WYŁ.).
- 4 Otworzyć delikatnie zasilanie gazowe. Obrócić zawór butli gazowej o jeden obrót.
- 5 Wyssać niewielką ilość cieczy testowej przy użyciu narzędzia do wykrywania nieszczelności i nanieść ją na obszar poddawany kontroli. Należy sprawdzić:
 - Spoiny na butli gazowej (A)
 - Wąż (B)
 - Połączenia pomiędzy butlą a regulatorem ciśnienia oraz pomiędzy regulatorem ciśnienia a wężem (C)
 - Połączenia pomiędzy wężem a urządzeniem (D)



i Regulator ciśnienia oraz złączki mogą się różnić od tych przedstawionych na rysunku.

- 6 Należy wykonać jedną z poniższych czynności:
 - W przypadku wykrycia nieszczelności kontynuować w sposób opisany w “W przypadku nieszczelności gazu”.
 - W przypadku braku nieszczelności zamknąć zasilanie gazowe, dokładnie przepłukać wszystkie podzespoły wodą oraz dobrze je osuszyć.

7.6 W przypadku nieszczelności gazu

- 1 Zamknąć zasilanie gazowe i wykonać jedną z poniższych czynności:
 - W przypadku wykrycia nieszczelności jednego z połączeń dokręcić to połączenie.
 - W przypadku wykrycia nieszczelności butli lub węża wymienić butlę lub wąż.
- 2 Ponownie sprawdzić połączenie lub podzespół, w którym wykryto nieszczelność.
- 3 Jeśli nie można usunąć nieszczelności, skontaktować się z dealerem Barbecue. Nie używać urządzenia aż do czasu usunięcia nieszczelności.

💡 W celu znalezienia listy dealerów Barbecue należy odnieść się do www.barbecue.com.

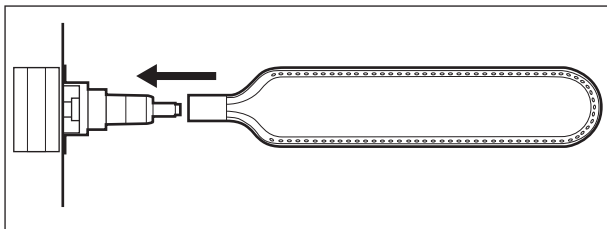
8 PRZYGOTOWANIE URZĄDZENIA DO UŻYTKU

8.1 Przed każdym użyciem

Podczas każdego korzystania z urządzenia należy upewnić się, że:

- Urządzenie znajduje się w odpowiednim miejscu. Patrz “3.3 Wybór odpowiedniej lokalizacji”.
- Wąż gazowy nie ciągnie się po ziemi i nie styka się z gorącą powierzchnią lub kapiącym tłuszczem.
- Kocioł jest czysty. Zalecamy umieszczenie nowej Leaf® w kotle przed każdym użyciem. Patrz “11.2 Czyszczenie kotła”.
- Palniki i zwężki Venturiego nie są zablokowane przez gniazda owadów lub sieci pająków. Patrz “11.3 Czyszczenie palników i zwężek Venturiego”.

- Urządzenie jest prawidłowo zmontowane. Należy zwrócić szczególną uwagę na:
 - Pokrywy palników. Każda pokrywa musi być umieszczona nad odpowiednim palnikiem. Patrz "4.2 Pokrywy palnika".
 - Zwęźki Venturiego palników. Muszą być umieszczone nad otworami zaworów gazowych.




- W celu uzyskania całkowitej pewności, że połączenia gazowe są prawidłowe, należy sprawdzić urządzenie pod kątem nieszczelności gazu przed każdym użyciem. Patrz "7 Sprawdzanie pod kątem nieszczelności gazu".

8.2 Przed pierwszym użyciem (po długim okresie przechowywania)

W przypadku pierwszego użycia lub po długim okresie nieużywania urządzenia należy wykonać dodatkowe kontrole:

- Należy przeczytać ze zrozumieniem i sprawdzić wszystkie instrukcje w niniejszej instrukcji obsługi (wyłącznie w przypadku pierwszego użycia).
- Sprawdzić urządzenie pod kątem nieszczelności gazu. Patrz "7 Sprawdzanie pod kątem nieszczelności gazu".

-  Należy również sprawdzić urządzenie pod kątem nieszczelności gazu w przypadku jego montażu przez dealera.

- Oczyszczyć palniki i zwężki Venturiego (wyłącznie w przypadku pierwszego użycia po długim okresie przechowywania). Patrz "11.3 Czyszczenie palników i zwężek Venturiego".
- Zapalić urządzenie przed umieszczeniem na nim żywności (wyłącznie w przypadku pierwszego użycia). Patrz "8.3 Przepalanie urządzenia".

8.3 Przepalanie urządzenia

Dzięki przepalaniu urządzenia przed pierwszym użyciem usuwane są z niego pozostałości smarów produkcyjnych. Należy wykonać poniższe kroki:

- 1 Zapalić palniki główne i ustawić pokrętła sterujące w położeniu HIGH (WYSOKIM). Patrz "9.2 Zapalanie palników głównych".
- 2 Zamknąć pokrywę i pozostawić urządzenie na 15 minut. Nie należy jeszcze umieszczać żywności na urządzeniu.
- 3 Po 15 minutach otworzyć pokrywę i pozostawić urządzenie palące się przez kolejne 5 minut (pokrętła sterujące nadal w położeniu HIGH (WYSOKIM)).
- 4 Po 5 minutach urządzenie jest gotowe do użytku. Można teraz umieścić żywność na grillu.

9 ZAPALANIE PALNIKÓW



W celu zapalenia palników przy użyciu zapłonika elektrycznego należy zamontować baterię AA w zapalniku. Bateria nie została dostarczona wraz z urządzeniem. Przedział na baterie zapłonika znajduje się wewnątrz kotła urządzenia.

9.1 Instrukcje dot. bezpieczeństwa

- Przed zapaleniem urządzenia wykonać wszystkie czynności kontrolne wymienione w "8 Przygotowanie urządzenia do użytku".
- Upewnić się, że pokrywa jest zawsze otwarta podczas zapalania palnika.
- Nigdy nie pochylać się nad palnikiem podczas jego zapalania.

9.2 Zapalanie palników głównych

9.2.1 KORZYSTANIE Z ZAPŁONNIKA

- 1 Otworzyć pokrywę i ustawić pokrętła sterujące palników głównych w położeniu OFF (WYŁ.).
- 2 Jeśli nie jest zapalony żaden inny palnik, otworzyć zasilanie gazowe i odczekać dziesięć sekund. Umożliwi to ustabilizowanie się gazu.
- 3 Nacisnąć pokrętło sterujące jednego palnika, ustawić je w położeniu HIGH (WYSOKIM) i przytrzymać przez chwilę. Wbudowany zapłonik wytworzy iskry, które spowodują zapalenie się palnika.

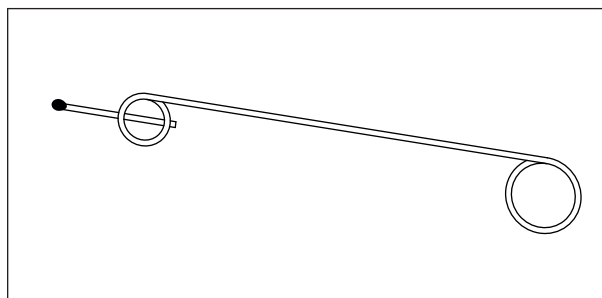


Należy zawsze zapalać jeden palnik główny, aby od niego rozpocząć. Nigdy nie zapalać jednocześnie wszystkich palników głównych.

- 4 Jeśli palnik nie zapali się po trzech próbach, ustawić jego pokrętło sterujące w położeniu OFF (WYŁ.), zamknąć zasilanie gazowe i odczekać 5 minut. Umożliwi to ujęcie nagromadzonego gazu.
- 5 Ponowić próbę zapalenia palnika. Jeśli palnik nadal się nie zapala, spróbować zapalić go przy użyciu zapałki lub odnieść się do "14 Wykrywanie i usuwanie usterek" w celu określenia przyczyny problemu.

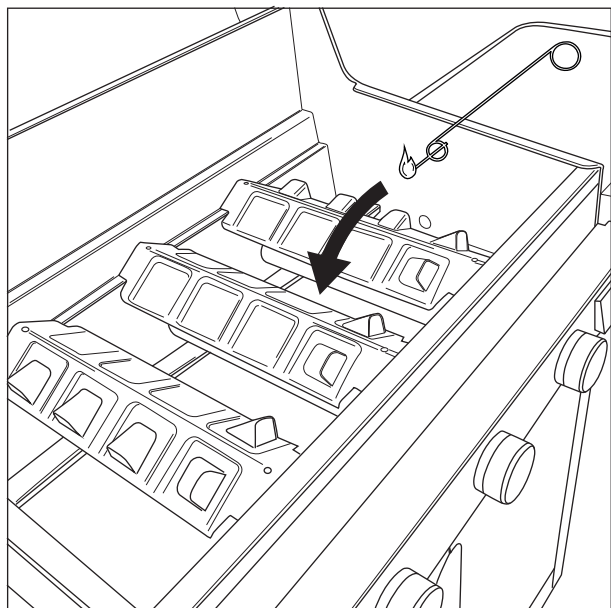
9.2.2 KORZYSTANIE Z ZAPALEK

- 1 Umieścić zapałkę w uchwycie na zapałkę.




- 2 Otworzyć pokrywę i ustawić pokrętła sterujące palników głównych w położeniu OFF (WYŁ.).
- 3 Jeśli nie jest zapalony żaden inny palnik, otworzyć zasilanie gazowe i odczekać dziesięć sekund. Umożliwi to ustabilizowanie się gazu.

- 4 Zapalić zapałkę i przytrzymać ją w odległości 13 mm od palnika.




- 5 Ustawić pokrętkę sterującą palnika w położeniu HIGH (WYSOKIM).

 Należy zawsze zapalać jeden palnik główny, aby od niego rozpocząć. Nigdy nie zapalać jednocześnie wszystkich palników głównych.

- 6 Jeśli palnik nie zapali się w ciągu 5 sekund, ustawić jego pokrętkę sterującą w położeniu OFF (WYŁ.), zamknąć zasilanie gazowe i odczekać 5 minut. Umożliwi to ujęcie nagromadzonego gazu.
- 7 Powtórzyć próbę zapalenia palnika. Jeśli palnik nadal się nie zapala, należy odnieść się do "14 Wykrywanie i usuwanie usterek" w celu określenia przyczyny problemu.

9.3 Zapalenie palnika bocznego

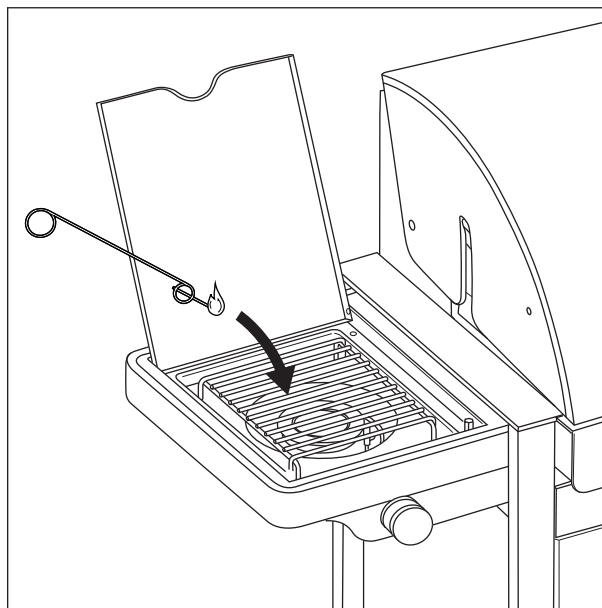
 Palnik boczny może utrzymać wyłącznie naczynia o maksymalnej wadze 9 kg oraz maksymalnej średnicy 220 mm.

9.3.1 KORZYSTANIE Z ZAPŁONNIKA

- 1 Otworzyć pokrywę i ustawić pokrętkę sterującą palnika bocznego w położeniu OFF (WYŁ.).
- 2 Jeśli nie jest zapalony żaden inny palnik, otworzyć zasilanie gazowe i odczekać dziesięć sekund. Umożliwi to ustabilizowanie się gazu.
- 3 Nacisnąć pokrętkę sterującą palnika bocznego, ustawić je w położeniu HIGH (WYSOKIM) i przytrzymać przez chwilę. Wbudowany zapłonnik wytworzy iskry, które spowodują zapalenie się palnika bocznego.
- 4 Jeśli palnik nie zapali się po trzech próbach, ustawić jego pokrętkę sterującą w położeniu OFF (WYŁ.), zamknąć zasilanie gazowe i odczekać 5 minut. Umożliwi to ujęcie nagromadzonego gazu.
- 5 Powtórzyć próbę zapalenia palnika bocznego. Jeśli palnik nadal się nie zapala, spróbować zapalić go przy użyciu zapałki lub odnieść się do "14 Wykrywanie i usuwanie usterek" w celu określenia przyczyny problemu.

9.3.2 KORZYSTANIE Z ZAPALEK

- 1 Umieścić zapałkę w uchwycie na zapałkę.
- 2 Otworzyć pokrywę i ustawić pokrętkę sterującą palnika bocznego w położeniu OFF (WYŁ.).
- 3 Jeśli nie jest zapalony żaden inny palnik, otworzyć zasilanie gazowe i odczekać dziesięć sekund. Umożliwi to ustabilizowanie się gazu.
- 4 Zapalić zapałkę i przytrzymać ją w odległości 13 mm od palnika bocznego.



- 5 Ustawić pokrętkę sterującą palnika bocznego w położeniu HIGH (WYSOKIM).
- 6 Jeśli palnik boczny nie zapali się w ciągu 5 sekund, ustawić jego pokrętkę sterującą w położeniu OFF (WYŁ.), zamknąć zasilanie gazowe i odczekać 5 minut. Umożliwi to ujęcie nagromadzonego gazu.
- 7 Powtórzyć próbę zapalenia palnika bocznego. Jeśli palnik nadal się nie zapala, należy odnieść się do "14 Wykrywanie i usuwanie usterek" w celu określenia przyczyny problemu.

9.4 Wyłączanie palników

W przypadku zaprzestania korzystania z palników należy je wyłączyć. Należy wykonać poniższe kroki:

- 1 Zamknąć zasilanie gazowe.
- 2 Ustawić pokrętki sterujące palników w położeniu OFF (WYŁ.).



Odłączenie w pierwszej kolejności zasilania gazowego gwarantuje, że w urządzeniu nie ma gazu.

9.5 Ponowne zapalenie palników

W przypadku zgaśnięcia palników podczas korzystania należy wykonać poniższe kroki:

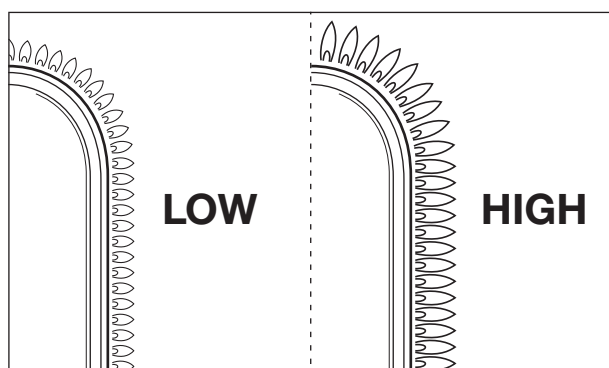
- 1 Otworzyć pokrywę i zamknąć zasilanie gazowe.
- 2 Ustawić wszystkie pokrętki sterujące w położeniu OFF (WYŁ.) i odczekać 5 minut. Umożliwi to ujście nagromadzonego gazu.
- 3 Ponownie zapalić palnik(i).

9.6 Kontrola płomieni

Podczas każdego zapalenia palnika należy sprawdzić jego płomienie. Idealny płomień jest niemal całkowicie niebieski, z niewielką ilością koloru żółtego w górnej części. Sporadyczne żółte płomienie są zjawiskiem normalnym i nie są szkodliwe.

W przypadku problemów z płomieniami należy wykonać jedną z poniższych czynności, aby je rozwiązać:

Jeśli płomienie są...	Należy...
Niskie i w całości żółte	<ol style="list-style-type: none">1 Natychmiast zamknąć zasilanie gazowe i ustawić wszystkie pokrętki sterujące w położeniu OFF (WYŁ.).2 Należy odnieść się do "14 Wykrywanie i usuwanie usterek" w celu określenia przyczyny problemu. Prawdopodobnie zwężki Venturiego są zablokowane.
Wyższe niż kociot	<ol style="list-style-type: none">1 Natychmiast zamknąć zasilanie gazowe i ustawić wszystkie pokrętki sterujące w położeniu OFF (WYŁ.).2 Odczekać 5 minut, aby umożliwić ujście nagromadzonego gazu.3 Ponownie zapalić palnik(i).4 Jeśli problem się utrzymuje, należy odnieść się do "14 Wykrywanie i usuwanie usterek" w celu określenia przyczyny problemu.



10 PRZYDATNE WSKAZÓWKI I PORADY

10.1 Podgrzewanie urządzenia

Podgrzewanie urządzenia gwarantuje, że grill jest wystarczająco gorący w momencie umieszczania w nim żywności. Należy wykonać poniższe kroki:

- 1 Zapalić palnik(i) i ustawić jego/ich pokrętko/-a sterujące w położeniu HIGH (WYSOKIM).
- 2 Zamknąć pokrywę i pozostawić urządzenie na dziesięć minut.

- 3 Po dziesięciu minutach otworzyć pokrywę i umieścić żywność na kratce.
- 4 Jeśli potrzebna jest mniejsza ilość ciepła, ustawić pokrętko/-a sterujące w niższym położeniu.

10.2 Zapobieganie przywieraniu żywności

Aby zapobiec przywarciu żywności do grilla:

- Należy pokryć żywność delikatnie olejem przy pomocy pędzla przed umieszczeniem jej na grillu. Można również pokryć olejem sam grill.
- Należy podgrzać urządzenie. Im cieplejszy jest grill przed umieszczeniem na nim żywności, tym mniej żywności przywrze.
- Nie odwracać zbyt szybko żywności. Należy poddać ją najpierw działaniu ciepła.

10.3 Grillowanie bezpośrednie i pośrednie

W zależności od rodzaju przygotowywanej żywności oraz sposobu jej przygotowania, można grillować bezpośrednio lub pośrednio:

Metoda	Opis	Zastosowanie
Bezpośrednia	Umieścić żywność bezpośrednio nad zapalonym palnikiem, ustawić palnik w położeniu wysokim i zostawić otwartą pokrywę.	Do obsmażenia mięsa i warzyw
Pośrednia	Umieścić żywność obok zapalonego palnika, ustawić palnik w położeniu średnim/niskim i zamknąć pokrywę.	Do dalszego gotowania obsmażonego mięsa

- ⚠ Podczas grillowania pod zamkniętą pokrywą zawsze sprawdzać termometr pokrywy, aby upewnić się, że urządzenie nie stanie się zbyt gorące. Patrz "10.5 Kontrolowanie temperatury".

10.4 Grillowanie z zamkniętą pokrywą

Zamykanie pokrywy podczas grillowania ma ważne zalety:

- Temperatura grilla jest wyższa i utrzymuje się.
- Czas gotowania skraca się, a żywność jest bardziej wilgotna.
- Ogranicza wybuchy płomieni i oszczędza gaz.

- ⚠ Podczas grillowania pod zamkniętą pokrywą zawsze sprawdzać termometr pokrywy, aby upewnić się, że urządzenie nie stanie się zbyt gorące. Patrz "10.5 Kontrolowanie temperatury".

10.5 Kontrolowanie temperatury

Urządzenie jest wyposażone w potężne palniki, szybko się więc nagrzewa i istnieje możliwość utrzymywania stałej temperatury. Podczas grillowania pod zamkniętą pokrywą należy się jednak upewnić, że urządzenie nie stanie się zbyt gorące. Należy obserwować termometr znajdujący się na pokrywie i uwzględnić następujące wytyczne:

- Normalna temperatura gotowania wynosi około 210°C. W przypadku wyższych temperatur wytopiony oraz nagromadzony tłuszcz mogą się zapalić.
- Temperatura nie powinna nigdy przekraczać 300°C przez czas dłuższy niż pięć minut. Może to spowodować uszkodzenie i odkształcenie urządzenia.



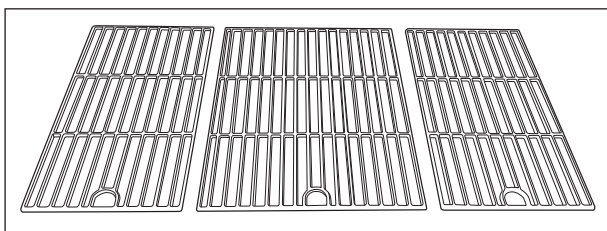
Jeśli urządzenie stanie się zbyt gorące, należy je schłodzić, otwierając pokrywę i ustawiając palniki w najmniejszym położeniu.

10.6 Optymalne wykorzystanie ciepła

Środkowa część kotła jest bardziej gorąca niż boczne. Aby umożliwić pełne wykorzystanie potencjału tej najcieplejszej części, urządzenie jest wyposażone w kratki o różnej wielkości. Jest ono dostarczane z:

- Jedną dużą kratką do umieszczenia na środku kotła.
- Dwoma mniejszymi kratkami do umieszczenia po bokach kotła.

W przypadku prawidłowego umieszczenia krately w kotle i zapaleniu wszystkich palników cała środkowa część grilla zostanie nagrzana do maksymalnej temperatury. Dzięki temu można rozszerzyć najbardziej gorącą część kotła i maksymalnie wykorzystać powierzchnię kratki urządzenia.



10.7 Korzystanie ze stref ciepła

W przypadku zapalenia wszystkich palników pokrywa palników rozprzodkują ciepło równomiernie po całym grillu. Pomimo tego równego ogrzewania niektóre strefy są nadal cieplejsze niż inne. Można skorzystać z zalet tych stref ciepła w celu grillowania żywności i uzyskania doskonałego efektu:

Strefa	Gorąca?	Zastosowanie
Przód	Ciepła	Grillowanie delikatnej żywności (krewetki, ryby...)
Środek	Gorąca	Przygotowanie żywności wymagającej dłuższego czasu gotowania (np. kielbasa, kurczak...)
Tył	Najbardziej gorąca	Obsmażanie mięsa i warzyw



Można również utworzyć strefy ciepła, regulując moc palników. Można ustawić palnik w położeniu dolnym i korzystać ze strefy nad nim w celu przygotowania żywności delikatnej lub żywności wymagającej dłuższego czasu gotowania.

10.8 Unikanie wybuchów płomieni

Podczas grillowania pojedyncze wybuchy płomieni są zjawiskiem normalnym. Jednakże zbyt wiele wybuchów zwiększa temperaturę w urządzeniu i może spowodować zapalenie się nagromadzonego tłuszczu. Aby uniknąć wybuchów płomieni:

- Należy upewnić się, że kocioł jest czysty przed rozpoczęciem grillowania. Zalecamy umieszczenie nowej Leaf® w kotle przed każdym użyciem. Patrz "11.2 Czyszczenie kotła".
- Należy regularnie sprawdzać, czy otwór spustowy oleju nie jest zablokowany oraz czy taca lub miska na kapiący tłuszcz nie jest pełna.
- Podczas grillowania tłustego mięsa odciąć nadmiar tłuszczu, zamknąć pokrywę i ustawić palniki w położeniu średnim lub niskim.

11 KONSERWACJA URZĄDZENIA

11.1 Czyszczenie kratki

Zalecamy czyszczenie kratki po każdym użyciu przy pomocy środka czyszczącego Barbecue cleaner. Należy wykonać poniższe kroki:

- 1 Rozpylić pianę na kratce i pozostawić na chwilę, aby zaczęła działać.
Piana odbarwia się w miarę pochłaniania brudu i tłuszczu.
- 2 Usunąć pianę przy użyciu miękkiej łyżki oraz wody i dokładnie splukać kratkę.
- 3 Osuszyć kratkę i przechowywać go w suchym miejscu. Zapobiega to powstawaniu rdzy.



Kratkę można również oczyścić przy użyciu łagodnego detergentu lub wodorowęglanu sodu. Do czyszczenia kratki nie należy nigdy stosować środków czyszczących do piekarnika.

11.2 Czyszczenie kotła

Zalecamy czyszczenie kotła po każdym użyciu. Najlepszym sposobem jest umieszczenie Leaf® w kotle przed rozpoczęciem grillowania. Leaf® jest folią, która doskonale pasuje do kotła i przechwytyje wszystkie pozostałości oraz tłuszcz. Po ostygnięciu urządzenia wystarczy usunąć folię® i kocioł będzie czysty.



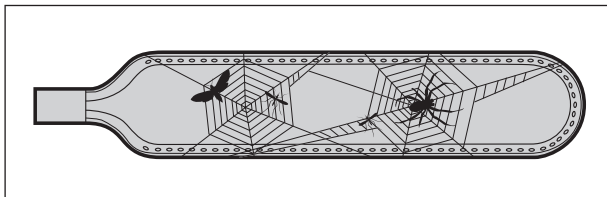
Zarejestruj swoje urządzenie na stronie www.barbecue.com, aby dowiedzieć się, jakiej Leaf® potrzebujesz.

11.3 Czyszczenie palników i zwężek Venturiego

11.3.1 DLACZEGO CZYŚCIĆ PALNIKI I ZWĘŻKI VENTURIEGO?

Pająki i owady mogą tworzyć sieci i gniazda w palnikach i zwężkach Venturiego. Mogą one zablokować zasilanie gazu do palników. W rezultacie.

- Zapalenie palników będzie niemożliwe. Jeśli mimo wszystko uda się je zapalić, będą produkować wyłącznie dymiące i żółte płomienie.
- Gaz może zacząć się spalać na zewnątrz zwężek Venturiego, przy pokrętkach sterujących. Ten ogień jest nazywany cofnięciem się płomienia i może skutkować poważnymi obrażeniami i uszkodzeniem materiału.



- i** Uszkodzenia spowodowane przez zablokowane palniki i zwężki Venturiego są uznawane jako nieodpowiednia konserwacja i nie są objęte gwarancją.

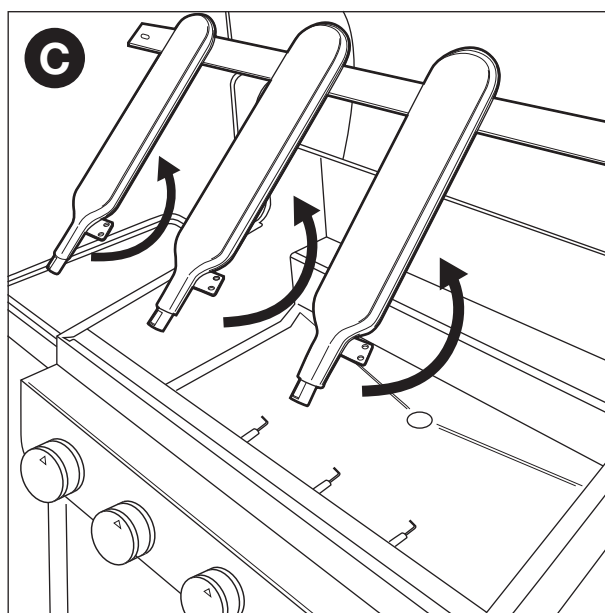
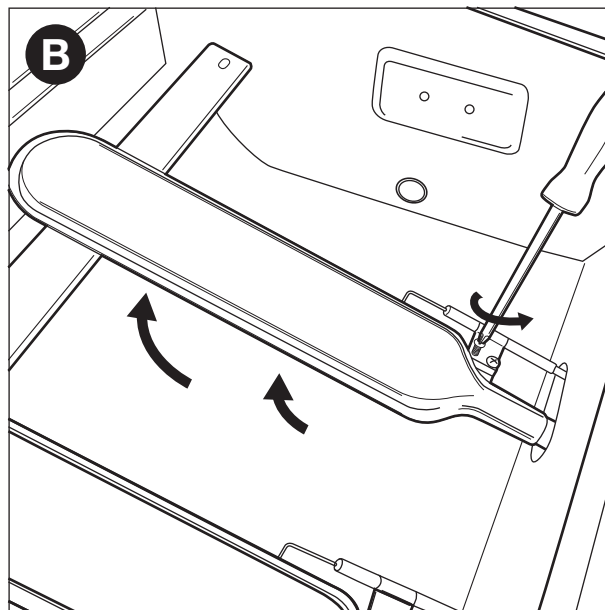
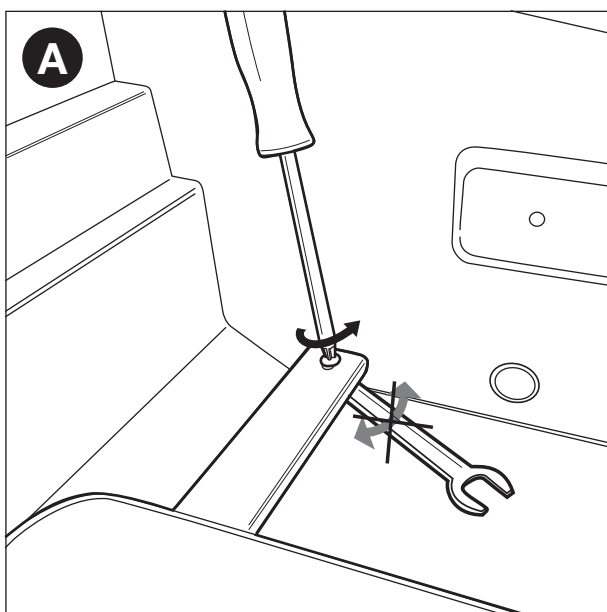
11.3.2 KIEDY CZYŚCIĆ PALNIKI I ZWĘŻKI VENTURIEGO?

Należy oczyścić palniki i zwężki Venturiego urządzenia:

- Przed pierwszym użyciem po długim okresie nieużywania urządzenia.
- Co najmniej dwa razy w roku, z czego jeden raz na początku sezonu.

11.3.3 W CELU OCZYSZCZENIA PALNIKÓW I ZWĘŻEK VENTURIEGO

- 1 Zdemontować palniki z urządzenia w sposób przedstawiony na rysunkach. W przypadku dostrzeżenia uszkodzenia palnika należy go wymienić.



- 2 Należy oczyścić palniki i zwężki Venturiego niewielką szczotką lub wykonanym ręcznie wyciorem do rur (rozłożony spinacz, szczotka do rury...).
- 3 Ponownie zamontować palniki. Umieścić zwężki Venturiego nad otworami zaworów gazowych.

11.4 Konserwacja części pokrytych emalią, stalą nierdzewną oraz malowanych proszkowo

Urządzenie składa się z części emaliowanych, ze stali nierdzewnej i malowanych proszkowo. Każdy materiał należy konserwować w inny sposób:

Materiał	Sposób konserwacji materiału
Emalia	<ul style="list-style-type: none">• Nie używać ostrych obiektów ani nie uderzać o twardą powierzchnię.• Unikać kontaktu gorącego kotła z zimnymi płynami.• Można korzystać z metalowych łyżek i żrących detergentów.

Material	Sposób konserwacji materiału
Stal nierdzewna	<ul style="list-style-type: none"> Nie stosować ostrych, żrących detergentów lub środków do metalu. Korzystać z łagodnych detergentów i pozostawić je na stali. Używać miękkiej gąbki lub szmatki. Splukać dokładnie po czyszczeniu i dobrze osuszyć przed przechowywaniem.
Części malowane proszkowo	<ul style="list-style-type: none"> Nie używać ostrych przedmiotów. Używać łagodnych detergentów, miękkiej gąbki lub szmatki. Splukać dokładnie po czyszczeniu i dobrze osuszyć przed przechowywaniem.



W celu zapobiegania powstawania rdzy na stali nierdzewnej unikać kontaktu z chlorem, solą i żelazem. Zalecamy nie stosować urządzenia w pobliżu wybrzeża, torów kolejowych lub basenów.



Uszkodzenia spowodowane nieprzestrzeganiem niniejszych instrukcji są uznawane jako nieodpowiednia konserwacja i nie są objęte gwarancją.

Poniżej widoku urządzenia rozebranego na części (druga część instrukcji) znajduje się lista wszystkich części, z których składa się urządzenie. Lista ta obejmuje symbol, który określa materiał, z którego wykonana jest każda część, można więc z niej skorzystać w celu sprawdzenia sposobu konserwacji poszczególnych części. Na liście części stosowane są następujące symbole:

Symbol	Material
●	Emalia
■	Stal nierdzewna
★	Części malowane proszkowo

11.5 Przechowywanie urządzenia

W przypadku niekorzystania z urządzenia przez dłuższy czas przechowywać je w suchym miejscu. Przed przechowywaniem urządzenia:

- Odłączyć butlę gazową. Nigdy nie przechowywać urządzenia wewnątrz (nawet w garażu lub w szopie), jeśli jest ono podłączone do butli gazowej.
- Oczyszczyć palniki i kratki, nasmarować je olejem i owinąć je w papier.
- Jeśli urządzenie jest wyposażone w palnik rusztu, wyjąć silnik palnika rusztu i przechowywać go w suchym miejscu.
- Przykryć urządzenie pokrywą Barbecook. Zarejestruj swoje urządzenie na stronie www.barbecook.com, aby dowiedzieć się, jakiego pokrowca potrzebujesz.

11.6 Przechowywanie butli z gazem

Niniejsze instrukcje mają zastosowanie zarówno do pustych, jak i pełnych butli gazowych.

- Zawsze przechowywać butle gazowe na zewnątrz w dobrze wentylowanym miejscu. Upewnić się, że nie są one wystawione na działanie nadmiernego ciepła lub bezpośrednich promieni słonecznych.
- Nigdy nie przechowywać butli gazowej w miejscu, które może stać się bardzo gorące (w samochodzie, na łodzi...)

- Nigdy nie przechowywać butli gazowej lub zapasowej butli gazowej w szafce urządzenia.
- Nigdy nie przechowywać zapasowej butli gazowej w pobliżu urządzenia podczas korzystania z niego.
- Zawsze przechowywać butle gazowe poza zasięgiem dzieci.
- Zawsze przechowywać i przewozić butle gazowe w położeniu pionowym.

11.7 Zamawianie części zamiennych

Części, które są wystawione na bezpośrednie działanie ognia lub intensywnego ciepła muszą być od czasu do czasu wymieniane. Aby zamówić części zamienne:

- Należy wyszukać numer referencyjny potrzebnej części. Listę wszystkich numerów referencyjnych można znaleźć poniżej widoku urządzenia rozebranego na części w drugiej części niniejszej instrukcji oraz na stronie www.barbecook.com.



W przypadku zarejestrowania urządzenia online użytkownik zostanie automatycznie skierowany do odpowiedniej listy.

- Części zamienne można zamówić w punkcie sprzedaży. Części zamienne można zamówić w ramach i poza gwarancją.

12 GWARANCJA

12.1 Zakres gwarancji

Urządzenie posiada dwuletnią gwarancję rozpoczynającą się od daty zakupu. Gwarancja ta obejmuje wszystkie wady produkcyjne pod warunkiem, że:

- Urządzenie jest stosowane, montowane i konserwowane zgodnie z instrukcjami zawartymi w niniejszej instrukcji. Uszkodzenia spowodowane przez niewłaściwe użycie, nieprawidłowy montaż lub niewystarczającą konserwację nie są uznawane za wady produkcyjne.
- Właściciel jest w stanie przedstawić rachunek oraz unikalny numer seryjny urządzenia. Numer seryjny rozpoczyna się od litery G, po której następuje 15 cyfr. Można go znaleźć:
 - W niniejszej instrukcji obsługi oraz w pakiecie startowym obejmującym instrukcję.
 - Na opakowaniu urządzenia.
 - Na tabliczce znamionowej znajdującej się wewnątrz drzwiczek kotła (Quisson, Siesta 4 i Siesta 6) lub wewnątrz dolnego panelu przedniego (Spring, Siesta 2 i Siesta 3).
- Barbecook Dział jakości potwierdza, że części są wadliwe i okazały się wadliwe podczas normalnego użytkowania, prawidłowego montażu oraz wystarczającej konserwacji.

Jeśli jeden z powyższych warunków nie zostanie spełniony, nie można ubiegać się o żadną formę rekompensaty. We wszystkich przypadkach gwarancja jest ograniczona do naprawy lub wymiany wadliwej/-ych części.

12.2 Wyłączenie gwarancji

Następujące uszkodzenia oraz wady nie są objęte gwarancją:

- Normalne zużycie (rdzewienie, odkształcenie, odbarwienie) części, które są bezpośrednio wystawione na działanie ognia lub intensywnego ciepła. Wymiana tych części jest normalna od czasu do czasu.
- Nieregularności wizualne, które są nieodłączną częścią procesu produkcji. Nieregularności te nie są uznawane za wady produkcyjne.

13 SPECYFIKACJE TECHNICZNE

13.1 Tabliczka znamionowa

Tabliczka znamionowa zawiera wszystkie specyfikacje techniczne urządzenia. Można ją znaleźć:

- W drugiej części niniejszej instrukcji.
- Po wewnętrznej stronie drzwiczek kotła.

13.2 Średnice dyfuzora

- Palnik główny: 0,991 mm
- Palnik boczny: 0,88 mm

14 WYKRYWANIE I USUWANIE USTEREK

Problem	Możliwa/-e przyczyna/-y	Rozwiązanie/-a
Brak wystarczającej ilości ciepła	<ul style="list-style-type: none"> Zamknięte zasilanie gazowe Zwężki Venturiego nie są umieszczone nad otworami zaworów gazowych Zablokowane otwory palnika Butla gazowa (prawie) pusta Regulator ciśnienia nie jest prawidłowo podłączony do butli gazowej i/lub węża 	<ul style="list-style-type: none"> Otworzyć zasilanie gazowe Umieścić zwężki Venturiego nad otworami zaworów gazowych Oczyścić otwory palnika lub wymienić palniki Wymienić butlę gazową Podłączyć ponownie regulator ciśnienia bo butli gazowej i/lub węża
Nadmierne ciepło i/lub wybuchy płomieni	<ul style="list-style-type: none"> Zbyt tłusta żywność Zablokowany otwór spustowy tłuszczu, tłuszcz w kotle i/lub na palnikach Pokrywy palników nie są prawidłowo zamontowane Zbyt wysoka temperatura 	<ul style="list-style-type: none"> Odciąć nadmiar tłuszczu lub ustawić palniki w położeniu niskim Oczyścić otwór spustowy tłuszczu, kocioł i palniki Prawidłowo zamontować pokrywy palników Ustawić palniki na niższą temperaturę i/lub grillować żywność pośrednio
Ciepło nie jest rozprowadzane równomiernie po powierzchni grilla	<p>Niektóre różnice ciepła są zjawiskiem normalnym, patrz "11.6 Optymalne wykorzystanie ciepła" i "11.7 Korzystanie ze stref ciepła". Możliwa/-e przyczyna/-y dużych różnic ciepła:</p> <ul style="list-style-type: none"> Pokrywy palników nie są prawidłowo zamontowane Urządzenie nie zostało podgrzane 	<ul style="list-style-type: none"> Prawidłowo zamontować pokrywy palników Podgrzać urządzenie
Żółte płomienie	<ul style="list-style-type: none"> Zablokowane palniki lub zwężki Venturiego Sól na palnikach Urządzenie podłączone do butanu 	<ul style="list-style-type: none"> Oczyścić palniki i zwężki Venturiego Oczyścić palniki Podłączyć urządzenie do propanu przy użyciu odpowiedniego regulatora ciśnienia
Niepełny płomień	Zablokowany, przedziurawiony lub przypalony palnik	Oczyścić lub wymienić palnik
Cofanie się płomienia (płomienie na zewnątrz zwężek Venturiego / przy pokrętkach sterujących)	Zablokowane palniki lub zwężki Venturiego	<ol style="list-style-type: none"> Zamknąć zasilanie gazowe i ustawić palniki w położeniu OFF (WYŁ.). Pozostawić urządzenie do ostygnięcia. Oczyścić palniki i zwężki Venturiego.
Płomienie wychodzące poza krawędź kotła	<ul style="list-style-type: none"> Za duży wiatr Butla gazowa (prawie) pusta Tłuszcz w kotle i/lub na palnikach 	<ul style="list-style-type: none"> Ustawić urządzenie tylną stroną w kierunku wiatru Wymienić butlę gazową Oczyścić kocioł, palniki i wymienić Leaf®
Buczenie z regulatora ciśnienia	<ul style="list-style-type: none"> Upał Nowa (pełna) butla gazowa 	Nie jest to zagrożenie ani wada. Powinno minąć automatycznie po upływie chwili.
Palniki gwizdzą po ustawieniu w położeniu LOW (NISKIM)	Zabrudzony dyfuzor gazu, zwężki Venturiego i/lub palnik	Oczyścić dyfuzor gazu, zwężki Venturiego i palnik
Nie można zapalić palnika (ani przy użyciu zapłonika ani zapatek)	<ul style="list-style-type: none"> Zablokowany palnik lub zwężki Venturiego Brak zasilania gazowego 	<ul style="list-style-type: none"> Oczyścić palnik i zwężki Venturiego Otworzyć zasilanie gazowe i nacisnąć pokrętkę bezpieczeństwa na regulatorze ciśnienia (nie jest obecne na wszystkich regulatorach)
Nie można zapalić palnika przy użyciu zapłonika	<ul style="list-style-type: none"> Brak baterii lub baterie zamontowane nieprawidłowo Okablowanie zapłonika nie jest prawidłowo zamontowane Uszkodzona elektroda Wadliwe uziemienie Wadliwy zapłonnik 	<ul style="list-style-type: none"> Zamontować (ponownie) baterię z prawidłowo ustawionymi ogniwami Sprawdzić i ponownie zamontować wszystkie połączenia zapłonika Wymienić elektrodę Sprawdzić i ponownie zamontować elektrody, palniki i zapłonnik Wymienić zapłonnik

Problem	Możliwa/-e przyczyna/-y	Rozwiązanie/-a
Brak iskier oraz dźwięku po naciśnięciu zapłonika	<ul style="list-style-type: none"> • Brak baterii lub baterie zamontowane nieprawidłowo • Wyładowana bateria • Przycisk zapłonika nie jest prawidłowo zamontowany • Wadliwy generator iskier 	<ul style="list-style-type: none"> • Zamontować (ponownie) baterię z prawidłowo ustawionymi ogniwami • Wymienić baterię • Ponownie zamontować przycisk zapłonika • Wymienić generator iskier
Po naciśnięciu zapłonika słychać wyłącznie dźwięk (bez iskier)	<ul style="list-style-type: none"> • Wadliwe uziemienie • Palnik i elektroda zbyt daleko od siebie 	<ul style="list-style-type: none"> • Ponownie podłączyć generator iskier i elektrody • Delikatnie ugiąć elektrodę, aby zbliżyć ją do palnika
Obecność iskier nie pochodzących z palników	Wadliwe okablowanie	Wymienić okablowanie
Obecność iskier, jednak nie na wszystkich elektrodach i/lub o niewystarczającej mocy	<ul style="list-style-type: none"> • Wadliwe uziemienie • Niski poziom baterii • Mokre lub uszkodzone elektrody 	<ul style="list-style-type: none"> • Ponownie podłączyć generator iskier i elektrody • Wymienić baterię • Osuszyć elektrody ręcznikiem papierowym lub wymienić elektrody

ВГ - РЪКОВОДСТВО ЗА ПОТРЕБИТЕЛЯ

1	Регистрирайте своя уред	330	10	Важни инструкции за безопасност	337
2	За това ръководство.....	330		• Предварително затопляне на уреда.....	337
3	Важни инструкции за безопасност.....	330		• Предотвратяване на залепването на храната	337
	• Важни инструкции за безопасност	330		• Директно и не директно печене на скара	338
	• Важни инструкции за безопасност	330		• Печене на скара със затворен капак	338
	• Важни инструкции за безопасност	330		• Следене на температурата.....	338
4	Важни инструкции за безопасност.....	330		• Важни инструкции за безопасност.....	338
	• Тръби на Вентури	331		• Важни инструкции за безопасност.....	339
	• Козирки на горелката	331	11	Важни инструкции за безопасност	339
	• Емайл.....	331		• Почистване на скарата	339
	• Пламъци	331		• Почистване на купата	339
5	Сглобяване на уреда.....	332		• Почистване на горелките и тръбите на Вентури ..	339
	• Инструкции за безопасност	332		• Важни инструкции за безопасност.....	340
	• За да сглобите уреда	332		• Съхранение на уреда.....	340
6	Важни инструкции за безопасност.....	330		• Съхраняване на газови бутилки	341
	• Важни инструкции за безопасност	330		• Поръчка на резервни части	341
	• Инструкции за безопасност	332	12	Гаранция	341
	• Важни инструкции за безопасност	330		• Какво се покрива от гаранцията.....	341
	• Важни инструкции за безопасност	330		• Какво не се покрива от гаранцията.....	341
	• Подмяна на бутилката.....	333	13	Технически спецификации	341
7	Важни инструкции за безопасност.....	330		• Етикет за тип.....	341
	• Защо да проверявате за течове на газ?	333		• Важни инструкции за безопасност.....	341
	• Кога да проверите за течове на газ?.....	333	14	Важни инструкции за безопасност	342
	• Инструкции за безопасност	334			
	• Важни инструкции за безопасност	330			
	• За да проверите за течове на газ	334			
	• В случай на теч на газ	334			
8	Подготовка на уреда за използване.....	334			
	• Важни инструкции за безопасност	334			
	• Важни инструкции за безопасност	335			
	• Важни инструкции за безопасност	335			
9	Важни инструкции за безопасност.....	335			
	• Инструкции за безопасност	335			
	• Важни инструкции за безопасност	335			
	• Важни инструкции за безопасност	336			
	• Изключване на горелките	336			
	• Важни инструкции за безопасност	337			
	• Важни инструкции за безопасност	337			

1 РЕГИСТРИРАЙТЕ СВОЯ УРЕД

Благодарим ви за покупката на уреда Barbecook! Сигурни сме, че той ще ви донесе много приятни моменти край барбекюто.

За да оптимизирате своето изживяване, регистрирайте уреда на www.barbecook.com. Това отнема само няколко минути и носи някои големи предимства:

- Можете да получите достъп до нашата персонализирана следпродажбена услуга. Това ви позволява например бързо да намерите резервни части за своя уред или да се възползвате от оптимална гаранционна услуга.
- Можем да ви информираме за интересни продуктови актуализации и да ви насочим към продуктова информация и спецификации, които засягат вашия уред.



За повече информация относно регистрирането на вашия уред посетете www.barbecook.com.



Barbecook зачита поверителността на вашите лични данни. Вашите лични данни няма да бъдат продадени, разпространени или споделени с трети страни.

2 ЗА ТОВА РЪКОВОДСТВО

Това ръководство се състои от две части:

- Първата част е частта, която четете в момента. Тя включва инструкции за сглобяването, използването и поддръжката на вашия уред.
- Втората част започва на страница 379. Тя включва всички видове илюстрации (разгърнати чертежи, монтажни чертежи...) на уреда, които са описани в това ръководство.

3 ВАЖНИ ИНСТРУКЦИИ ЗА БЕЗОПАСНОСТ

3.1 Прочетете и следвайте инструкциите

Прочетете инструкциите, преди да използвате уреда. Винаги следвайте внимателно инструкциите. Сглобяването или използването на уреда по различен начин, може да причини пожар и повреда на материала.



Повредите, причинени от неспазване на инструкциите (неправилно сглобяване, неправилна употреба, недостатъчна поддръжка и др.) не се покриват от гаранцията.

3.2 Бъдете внимателни с газа

Работата с газ е съвсем безопасна, но изисква известна степен на повишено внимание:

- Винаги съхранявайте газовите бутилки на открито проветриво място. Уверете се, че не са изложени на прекалена горещина и директна слънчева светлина.
- Никога не съхранявайте газовата бутилка или резервната газова бутилка в шкафа на вашия уред.
- Докато се използва, поставете газовата бутилка в количката за бутилката отстрани на уреда.
- Никога не съхранявайте вашата резервна газова бутилка близо до газов уред, който се използва.

- Винаги изключвайте газоподаването при газовата бутилка след употреба.
- Никога не пушете близо до газов уред, който се използва, или близо до газова бутилка (пълна/празна).



Ако усетите газ, незабавно изключете газоподаването, като угасите всички пламъци, и отворете капака на уреда. Ако миризмата на газ продължава, се свържете с доставчика си на газ или с противопожарната служба.

3.3 Изберете подходящо място

Използвайте уреда само на открито. Използването му на закрито, дори в гараж или навес, може да причини натравяне с въглероден окис.

Когато избирате местоположение на открито, винаги:

- Поставете уреда на поне три метра от каквито и да е сгради, на отворено и проветриво място.
- Осигурявайте свободен приток на въздух до горелките и вентилационните отвори в шкафа по всяко време.
- Избягвайте поставянето на уреда под надвесена структура (веранда, навес и др.) или под растителност.
- Поставете уреда на твърда и стабилна повърхност. Никога не го поставяйте в движещо се превозно средство (лодка, каравана и др.).

3.4 Бъдете разумни

Бъдете разумни винаги, когато работите с уреда:

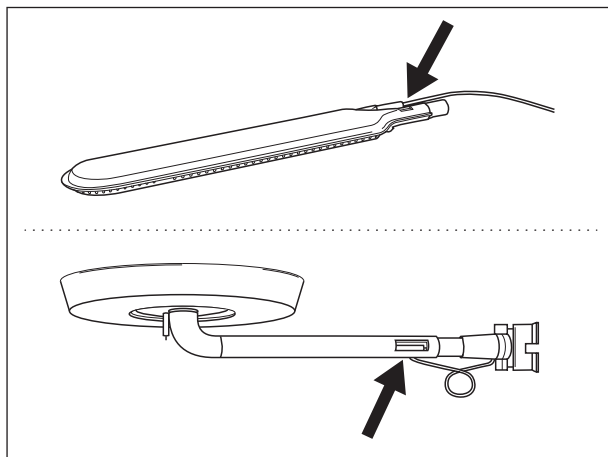
- Използвайте само на открито.
- Не местете уреда по време на употреба.
- Не оставяйте уреда без надзор по време на употреба, особено в присъствието на деца и животни.
- ПРЕДУПРЕЖДЕНИЕ! Някои принадлежности могат да станат много горещи. Не позволявайте достъпа на деца.
- Използвайте подходяща защита, когато боравите с горещи части (капак, скара и др.).
- Уредът трябва да бъде държан настрана от запалими материали по време на употреба.
- Не допускайте уред, който се използва, да има контакт със запалими материали, запалими течности или разтворими предмети.
- Не използвайте дърво, въглища, вулканични камъни или керамични брикети при газови уреди.
- Не използвайте уреда, когато сте консумирали алкохол или сте взимали наркотици.
- Не променяйте структурата на уреда.

4 ПОВТАРЯЩИ СЕ КОНЦЕПЦИИ

Тази част включва дефиниции на някои по-непознати концепции. Тези концепции се използват в няколко теми от това ръководство.

4.1 Тръби на Вентури

Тръбите на Вентури са малки тръбички, закрепени за входа на горелките. От страни на тръбите има отвор. Това е видимо на главните горелки и страничната горелка:



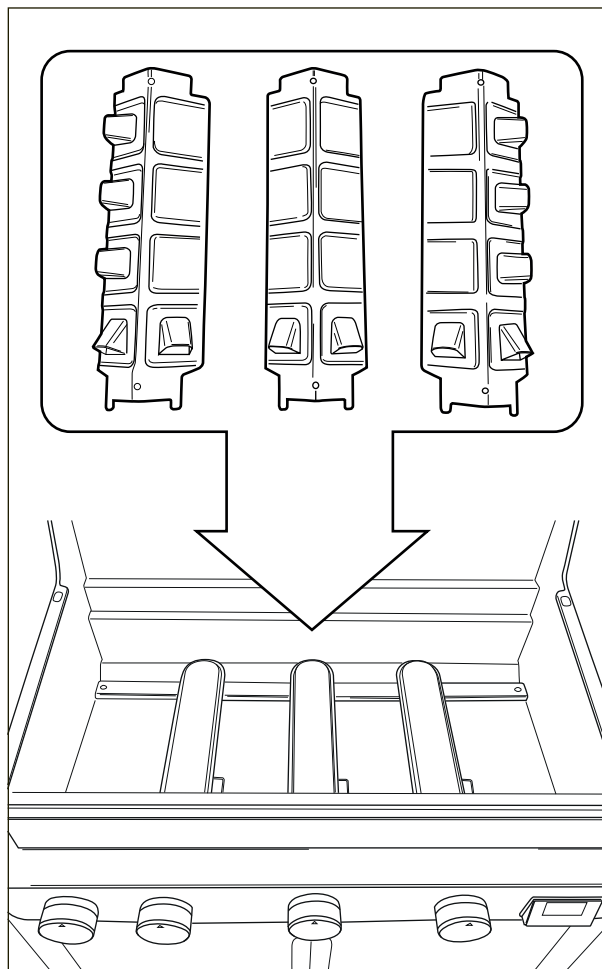
Когато газта протича към горелките, тя преминава през тръбите. Благодарение на отворите от страни, газта се смесва с въздух и в резултат на това - с кислород. Това е необходимо за доброто запалване в горелките: само правилната смес от газ и кислород ще се запали правилно и ще се получат хубави пламъци.

4.2 Козирки на горелката

Козирките на горелката са козирките, които се монтират над горелките на вашия уред. Те предпазват горелките от капеща мазнина и играят ключова роля в Turbo Heating System. Отворите с покрив от страни на козирките разпределят топлината по скарата, което позволява много по-бързо и по-равномерно нагряване.



Обърнете специално внимание на козирките, когато сглобявате уреда. Turbo Heating System може да функционира правилно само ако всяка козирка е монтирана над точната горелка.



4.3 Емайл

Някои части на уреда са покрити с пласт разтопено стъкло, наречено емайл. Този емайл предпазва метала под него от корозия. Емайлът е висококачествен материал: той е устойчив на ръжда, не избледнява под влиянието на високи температури и е лесен за поддръжка.



Тъй като емайлът не е толкова гъвкав, колкото метала, който покрива, парчета от емайла могат да се откъснат при неправилно боравене с уреда. За да избегнете проблеми, бъдете внимателни при сглобяване на емайлираните части и винаги поддържайте емайла, както е описано в това ръководство.

4.4 Пламъци

Искрите са внезапни пламъци, които излизат от купата, когато печете на скара. Те обикновено са причинени от капеща мазнина или марината.

5 СГЛОБЯВАНЕ НА УРЕДА


5.1 Инструкции за безопасност


- Не модифицирайте уреда при сглобяването му. Много опасно е и не е позволено да се променят частите, които са предварително сглобени и/или запечатани от производителя.
- Винаги следвайте внимателно инструкциите за сглобяване.
- Потребителят носи отговорност за правилното сглобяване на уреда. Повредите, причинени от неправилно сглобяване, не се покриват от гаранцията.

5.2 За да сглобите уреда

Необходима ви е кръстата отвертка, права отвертка и AA батерия (електрически запалител). Ако уредът ви включва горелка за шишове, ще са ви необходими и две D батерии (двигател на горелката за шишове). С уреда не се доставят батерии.

- 1 Поставете уреда на равна и чиста повърхност.
- 2 Сглобете уреда, както е показано на чертежите за сглобяване. Можете да ги намерите във втората част на това ръководство след разглобеният изглед на уреда.

 Внимавайте при сглобяване на емайлираните части. Инструментите и винтовете могат да повредят емайла. Използвайте предоставените влакнести шайби, за да предпазите емайла около винтовете.

 Пакетчето с винтове може да съдържа повече винтове, отколкото са необходими. След сглобяване може да останат винтове.

6 СВЪРЗВАНЕ НА ГАЗТА С УРЕДА

6.1 Каква бутилка, маркуч и регулатор?

Преди да свържете газта към уреда, трябва да купите газова бутилка, маркуч и регулатор на налягането. Винаги купувайте материал, който отговаря на всички национални стандарти на типа(овете) газ и номинално налягане, указани по уреда.

Таблицата по-долу показва кои бутилки, маркучи и регулатори трябва да използвате. В Белгия (BE) например трябва да използвате пропанова бутилка с маркуч и регулатор за 37 mbar или бутанова бутилка с маркуч и регулатор за 28-30 mbar.

Държава	Бутилка, маркуч и регулатор
DK, GR, NO, SE, EE, LT, LV, CZ, PL, MT, HU, SI, SK	Пропан, 30 mbar / Бутан, 30 mbar
ES, GB, IE, PT, BE, FR, LU, IT	Пропан, 37 mbar / Бутан, 28-30 mbar
NL	Пропан, 30 или 50 mbar / Бутан, 30 mbar
CY	Пропан, 30 или 37 mbar / Бутан, 28-30 mbar



Препоръчваме ви да свържете уреда към пропан. Пропанът предлага висококачествено запалване и е по-слабо чувствителен на скреж.



Купете регулатор и газова бутилка заедно. Не всички регулатори пасват на всички бутилки.

6.2 Инструкции за безопасност

- Никога не свързвайте бутилката директно към уреда. Винаги първо монтирайте регулатор на налягането на бутилката.
- Никога не променяйте предварително сглобени или запечатани части на бутилката, маркуча или регулатора на налягането.
- Поддържайте маркуча възможно най-къс (максимум 500 - 650 мм), за да предотвратите влаченето му по земята.
- Докато свързвате бутилката, маркуча и регулатора на налягането:
 - Никога не изкривявайте маркуча.
 - Винаги дръжте бутилката в изправено положение.
 - Никога не отваряйте газоподаването.
- Проверявайте за течове на газ винаги, когато правите промени по свързването на газта. Вижте "7 Проверка за течове на газ".

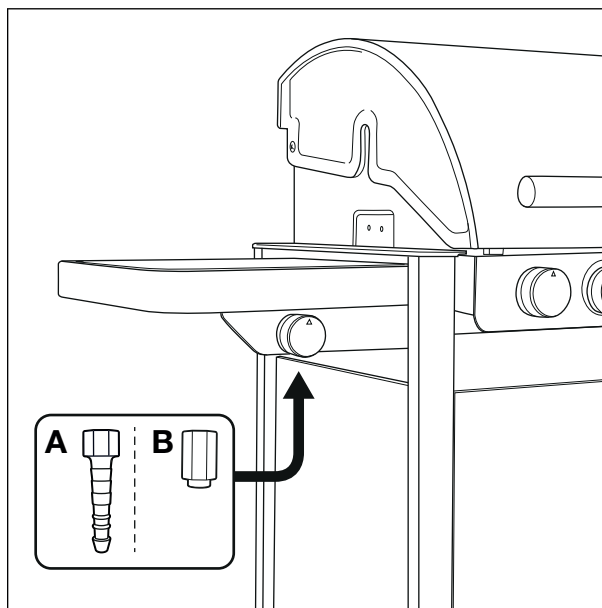
6.3 Свързване на маркуча към уреда

За да свържете маркуча за газта към уреда, трябва да монтирате куплунг на тръбата за газта на уреда. Уредът се доставя с два куплунга, които са предназначени за определени държави:

Държава	Куплунг
BE, CH, CZ, DK, ES, FI, GB, IE, IT, PT, SI	Куплунг А
FR	Куплунг В



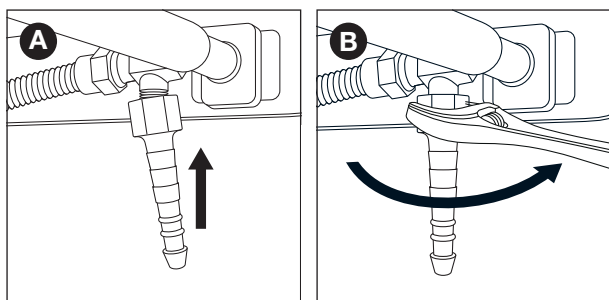
Ако вашата държава не е в списъка, използвайте куплунга, който отговаря на вашите национални стандарти.



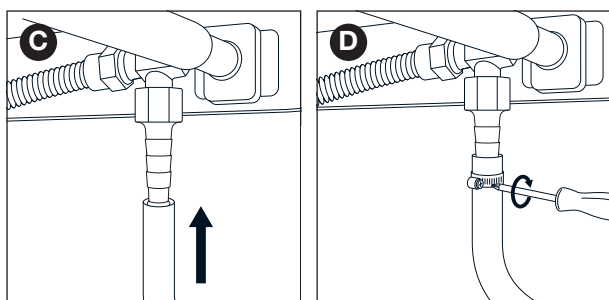
6.3.1 Куплунг А

Необходим ви е 19-мм гаечен ключ и кръстата отвертка.

- 1 Завинтете куплунга към газовата тръба на уреда (А) и го затегнете с 19-мм гаечен ключ (В).



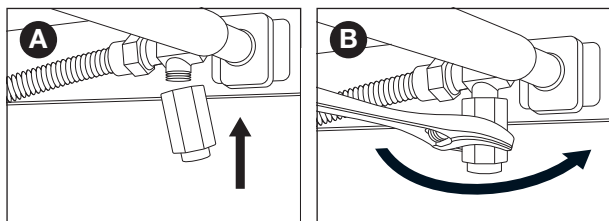
- 2 Плъзнете маркуча над куплунга (С) и затегнете стягащия пръстен с кръстата отвертка (D).



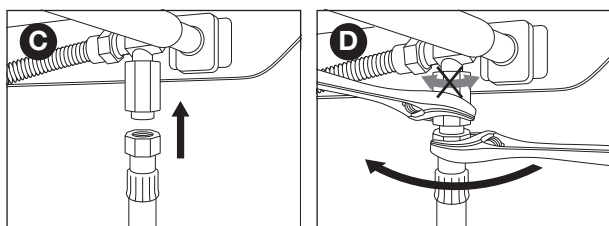
6.3.2 Куплунг В

Необходим ви е 22-мм гаечен ключ и регулируем гаечен ключ.

- 1 Завинтете куплунга към газовата тръба на уреда (А) и го затегнете с 22-мм гаечен ключ (В).



- 2 Завинтете маркуча за газа за куплунга (С) и го затегнете с двата гаечни ключа. Задръжте куплунга с 22-мм гаечен ключ, докато завъртате маркуча с регулирания гаечен ключ (D).

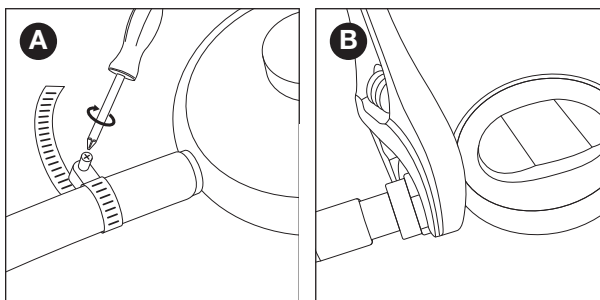


6.4 Свързване на маркуча и бутилката към регулатора

В зависимост от типа на регулатора на налягането, който използвате, са ви необходими кръстата отвертка и/или регулируем гаечен ключ.

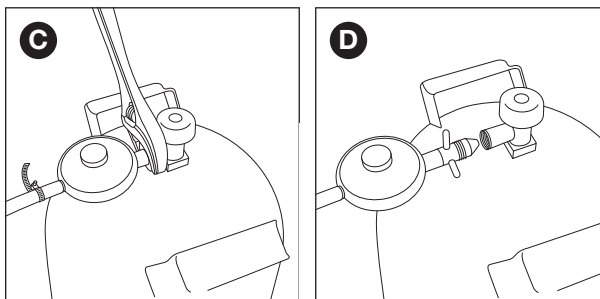
- 1 Свържете маркуча към регулатора на налягането. Извършете едно от следните действия:

- Ако маркучът има стягащ пръстен, плъзнете маркуча над регулатора и затегнете стягащия пръстен с кръстата отвертка (А).
- Ако маркучът има гайка, завинтете маркуча за регулатора и затегнете гайката с регулируем гаечен ключ (В).



- 2 Свържете регулатора на налягането към газовата бутилка. Извършете едно от следните действия:

- Ако регулаторът има гайка, завинтете регулатора за бутилката по посока на часовниковата стрелка и затегнете гайката с регулируем гаечен ключ (С).
- Ако регулаторът има винтова резба, завинтете регулатора за бутилката по посока, обратна на часовниковата стрелка (D).



6.5 Подмяна на бутилката

- 1 Прекъснете газоподаването и поставете всички контролни копчета в положение OFF (Изкл.).
- 2 Разкачете празната бутилка и свържете пълната бутилка.
- 3 Проверете бутилката, маркуча и всички газови връзки за течове. Вижте "7 Проверка за течове на газ".

7 ПРОВЕРКА ЗА ТЕЧОВЕ НА ГАЗ

7.1 Защо да проверявате за течове на газ?

Пропанът и бутанът са по-тежки от въздуха. В резултат на това те не се разсейват при изтичане от уреда. Особено в безветрени дни течът може да причини събиране на газ в уреда и около него. Тази натрупана газ може да се запали и да се взриви.

7.2 Кога да проверите за течове на газ?

- Преди първата употреба или преди първата употреба след продължителен период на неизползване.



Проверете също за течове на газ ако уредът е бил сглобен от търговеца.

- Всеки път, когато подмените газов компонент.
- Поне веднъж годишно, за предпочитане в началото на сезона.

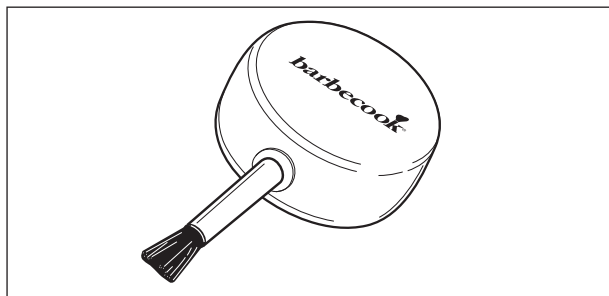
7.3 Инструкции за безопасност

- Поставете уреда на открито проветриво място. Уверете се, че покрай уреда няма пламъци или източници на топлина.
- Никога не използвайте запалка или кибрит за проверка за течове на газ.
- Не пушете и не запалвайте горелките, когато проверявате за течове на газ.

7.4 Какъв материал ми е необходим?

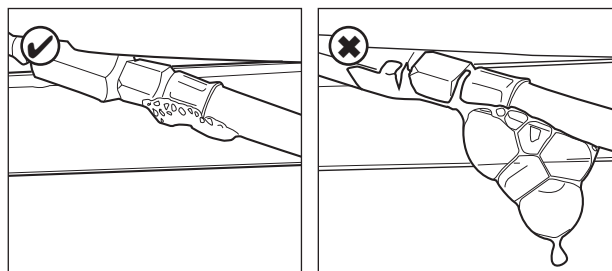
За да проверите за течове на газ, се нуждаете от:

- Течност за тестове. Можете да използвате готов спрей за течове или смес от вода (50%) и препарат за миене на чинии (50%).
- Инструментът за проверка за течове, доставен с вашия уред. Той се използва за засмукване на течност за тестове и прилагането ѝ към газовия компонент или връзка, които искате да проверите.



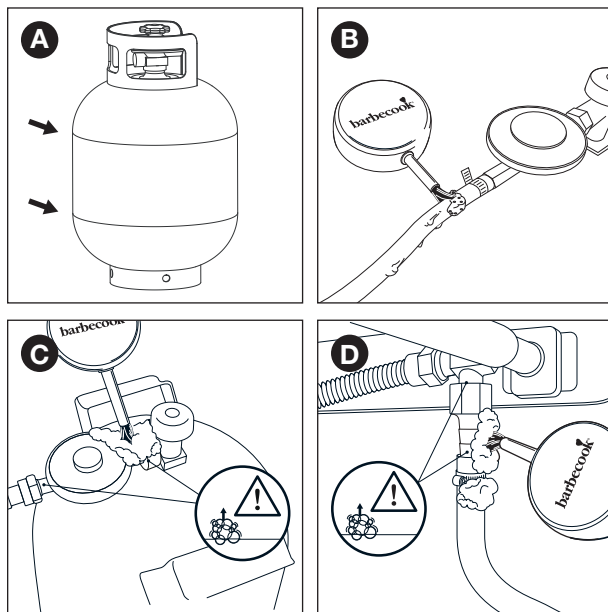
7.5 За да проверите за течове на газ

Проверката за теч на газ се осъществява чрез прилагане на течност за тест по всички газови компоненти и конектори. Ако мехурчетата по определен компонент или конектор нараснат, има теч на газ:



За да проверите за течове на газ, направете следното:

- 1 Поставете уреда на открито.
- 2 Вземете своя инструмент за тестване на течове и течност за тестване (спрей за теч или смес от вода/сапун).
- 3 Отворете капака и настройте всички контролни копчета до положение OFF (Изкл.).
- 4 Отворете леко газоподаването. Завъртете клапана на газовата бутилка само веднъж.
- 5 Засмучете малко течност за тестване с инструмента за тестване на течове и я приложете към областта, която искате да проверите. Трябва да проверите:
 - Заварките на газовата бутилка (A)
 - Маркуча (B)
 - Връзките между бутилката и регулатора на налягането и между регулатора на налягането и маркуча (C)
 - Връзката между маркуча и уреда (D)



i Вашият регулатор на налягането и куплунгът може да са различни от показаните на илюстрациите.

6 Извършете едно от следните действия:

- Ако забележите теч, продължете според инструкциите в "В случай на теч на газ".
- Ако няма течове, прекъснете газоподаването, изплакнете всички компоненти обилно с вода и ги изсушете добре.

7.6 В случай на теч на газ

- 1 Прекъснете газоподаването и предприемете едно от следните действия:
 - Ако сте открили теч на газ от някоя от връзките, затегнете тази връзка.
 - Ако сте открили теч на газ от бутилката или маркуча, подменете бутилката или маркуча.
- 2 Проверете отново връзката или компонентите, от които сте открили теч на газ.
- 3 Ако не сте в състояние да коригирате теча, се свържете с търговец на Barbecue. Не използвайте уреда, докато течът не бъде коригиран.



За списък на търговци на Barbecue посетете www.barbecue.com.

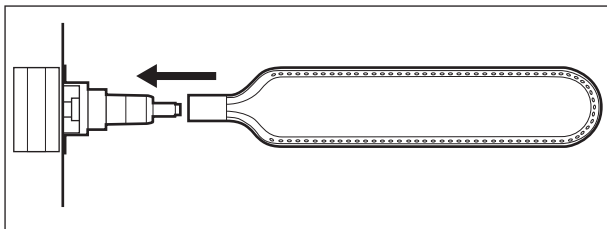
8 ПОДГОТОВКА НА УРЕДА ЗА ИЗПОЛЗВАНЕ

8.1 Преди всяка употреба

При всяка употреба на уреда, проверявайте за следното:

- Уредът е на подходящо място. Вижте "3.3 Изберете подходящо място".
- Маркучът за газ не се влачи по земята и не влиза в контакт с гореща повърхност или капеща мазнина.
- Купата е чиста. Препоръчваме ви да поставяте нов Leaf® в купата преди всяка употреба. Вижте "11.2 Почистване на купата".
- Горелките и тръбите на Вентури не са запушени от гнезда на насекоми или паяжини. Вижте "11.3 Почистване на горелките и тръбите на Вентури".

- Уредът е правилно сглобен. Обърнете специално внимание на:
 - Козирките на горелката. Всяка козирка трябва да бъде поставена над правилната горелка. Вижте "4.2 Козирки на горелката".
 - Тръбите на Вентури на горелките. Те трябва да са поставени над отворите на клапаните за газ.



- Ако искате да сте абсолютно сигурни, че газта е правилно свързана, можете да проверявате уреда за течове на газ преди всяка употреба. Вижте "7 Проверка за течове на газ".

8.2 Преди първата употреба (след дълъг период на съхранение)

Ако използвате уреда за пръв път или за пръв път след дълъг период на неупотреба, трябва да направите няколко допълнителни проверки:

- Задължително прочетете, вникнете и проверете всички инструкции в това ръководство (само преди първата употреба).
- Проверете уреда за течове на газ. Вижте "7 Проверка за течове на газ".

- ⚠ Проверете също за течове на газ ако уредът е бил сглобен от търговеца.

- Почистете горелките и тръбите на Вентури (само преди първата употреба след дълъг период на съхранение). Вижте "11.3 Почистване на горелките и тръбите на Вентури".
- Нагрейте уреда, преди да слагате храна върху него (само преди първата употреба). Вижте "8.3 Обгаряне на уреда".

8.3 Обгаряне на уреда

Чрез обгаряне на уреда преди първата му употреба ще отстраните останалите производствени мазнини от уреда. Направете следното:

- 1 Запалете главните горелки и настройте контролните им копчета на HIGH (Високо). Вижте "9.2 Запалване на главните горелки".
- 2 Затворете капака и оставете уреда да гори 15 минути. Все още не поставяйте храна върху скарата.
- 3 След 15 минути отворете капака и оставете уреда да гори още 5 минути (с контролното копче все още в позиция HIGH).
- 4 След 5 минути уредът е готов за употреба. Сега можете да поставите храна върху скарата.

9 ЗАПАЛВАНЕ НА ГОРЕЛКИТЕ



За да запалите горелките с електрическия запалител, трябва да поставите AA батерия в запалителя. Тази батерия не се доставя с уреда. Ще намерите кутията за батерията на запалителя в шкафа на вашия уред.

9.1 Инструкции за безопасност

- Преди да запалите уреда, извършете всички проверки, изброени в "8 Подготовка на уреда за използване".
- Капакът трябва винаги да е отворен, когато запалвате горелка.
- Никога не се навеждайте директно над горелка, когато я запалвате.

9.2 Запалване на главните горелки

9.2.1 ИЗПОЛЗВАНЕ НА ЗАПАЛИТЕЛЯ

- 1 Отворете капака и поставете контролните копчета на главните горелки в положение OFF (Изкл.).
- 2 Ако все още не е запалена друга горелка, отворете газоподаването и изчакайте десет секунди. Това позволява стабилизирането на газта.
- 3 Натиснете контролното копче на една горелка, настройте го до положение HIGH (Високо) и го задръжте за момент. Вграденият запалител ще предизвика искри, които ще запалят горелката.

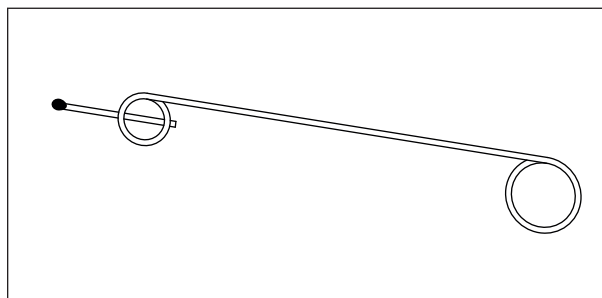


Винаги запалвайте първо една главна горелка. Никога не запалвайте всички главни горелки едновременно.

- 4 Ако горелката не се запали след три опита, настройте контролното ѝ копче на положение OFF (Изкл.), прекъснете газоподаването и изчакайте 5 минути. Това позволява на натрупаната газ да се изпари.
- 5 Опитайте отново да запалите горелката. Ако горелката все още не може да се запали, опитайте да я запалите с кибрит или вижте "14 Откриване и отстраняване на неизправности", за да определите причината за проблема.

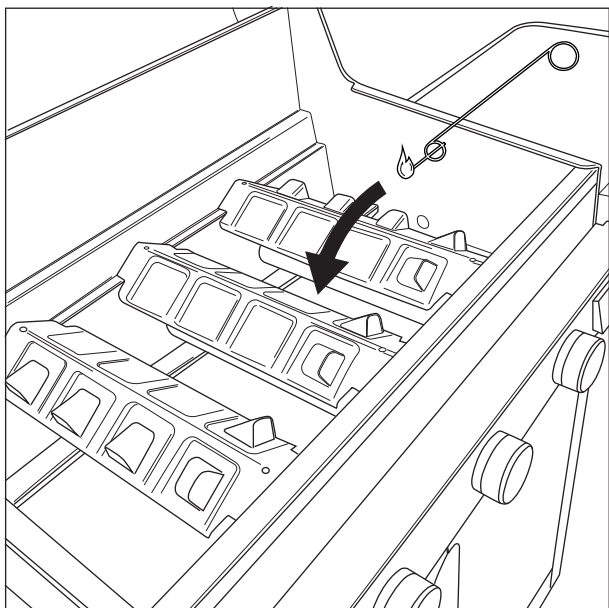
9.2.2 ИЗПОЛЗВАНЕ НА КИБРИТ

- 1 Поставете клечка кибрит в стойката за кибрит.




- 2 Отворете капака и поставете контролните копчета на главните горелки в положение OFF (Изкл.).
- 3 Ако все още не е запалена друга горелка, отворете газоподаването и изчакайте десет секунди. Това позволява стабилизирането на газта.

- 4 Запалете клечката кибрит и я задръжете на около 13 мм от горелката.




- 5 Настройте контролното копче на горелката до положение HIGH (Високо).

 Винаги запалвайте първо една главна горелка. Никога не запалвайте всички главни горелки едновременно.

- 6 Ако горелката не се запали в рамките на 5 секунди, настройте контролното ѝ копче на положение OFF (Изкл.), прекъснете газоподаването и изчакайте 5 минути. Това позволява на натрупаната газ да се изпари.
- 7 Опитайте отново да запалите горелката. Ако все още не се пали, вижте "14 Откриване и отстраняване на неизправности", за да определите причината за проблема.

9.3 Запалване на страничната горелка

 Страничната горелка може да издържи съдове с максимално тегло 9 кг и максимален диаметър 220 мм.

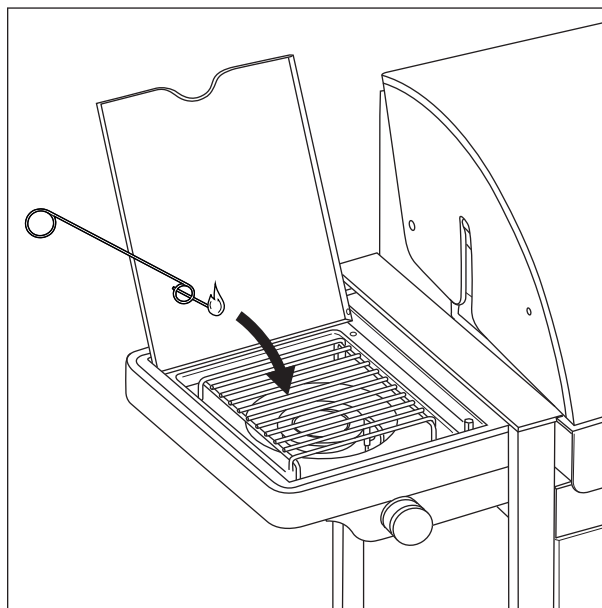
9.3.1 ИЗПОЛЗВАНЕ НА ЗАПАЛИТЕЛЯ

- 1 Отворете капака и поставете контролното копче на страничната горелка в положение OFF (Изкл.).
- 2 Ако все още не е запалена друга горелка, отворете газоподаването и изчакайте десет секунди. Това позволява стабилизирането на газа.
- 3 Натиснете контролното копче на страничната горелка, настройте го до положение HIGH (Високо) и го задръжете за момент. Вграденият запалител ще предизвика искри, които ще запалят страничната горелка.
- 4 Ако горелката не се запали след три опита, настройте контролното ѝ копче на положение OFF (Изкл.), прекъснете газоподаването и изчакайте 5 минути. Това позволява на натрупаната газ да се изпари.
- 5 Опитайте отново да запалите страничната горелка. Ако горелката все още не може да се запали, опитайте да я запалите с кибрит или вижте "14 Откриване и отстраняване на неизправности", за да определите причината за проблема.

9.3.2 ИЗПОЛЗВАНЕ НА КИБРИТ

- 1 Поставете клечка кибрит в стойката за кибрит.

- 2 Отворете капака и поставете контролното копче на страничната горелка в положение OFF (Изкл.).
- 3 Ако все още не е запалена друга горелка, отворете газоподаването и изчакайте десет секунди. Това позволява стабилизирането на газа.
- 4 Запалете клечката кибрит и я задръжете на около 13 мм от страничната горелка.



- 5 Настройте контролното копче на страничната горелка до положение HIGH (Високо).
- 6 Ако страничната горелка не се запали в рамките на 5 секунди, настройте контролното ѝ копче на положение OFF (Изкл.), прекъснете газоподаването и изчакайте 5 минути. Това позволява на натрупаната газ да се изпари.
- 7 Опитайте отново да запалите страничната горелка. Ако все още не се пали, вижте "14 Откриване и отстраняване на неизправности", за да определите причината за проблема.

9.4 Изключване на горелките

Ако вече не използвате горелките, трябва да ги изключите. Направете следното:

- 1 Прекъснете газоподаването.
- 2 Настройте контролните копчета на горелките до положение OFF (Изкл.).



Чрез прекъсването на газоподаването първо, осигурявате липсата на останала газ в уреда.

9.5 Повторно запалване на горелките

Ако някоя горелка изгасне по време на използване, направете следното:

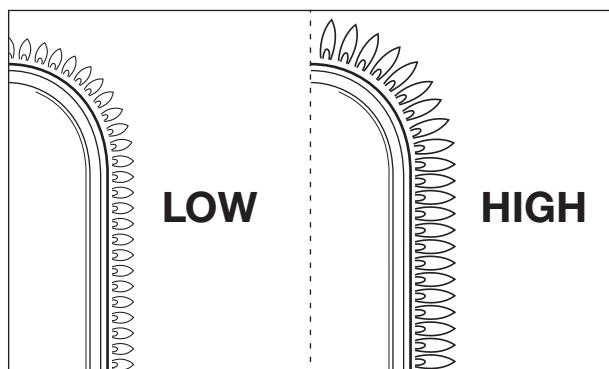
- 1 Отворете капака и прекъснете газоподаването.
- 2 Настройте контролните копчета до положение OFF (Изкл.) и изчакайте 5 минути. Това позволява на натрупаната газ да се изпари.
- 3 Запалете отново горелката(ите)

9.6 Проверка на пламъците

При всяко запалване на горелка трябва да проверите нейните пламъци. Идеалният пламък е почти напълно син с малко жълто отгоре. Случайните жълти пламъци са нормални и не са вредни.

Ако има нещо нередно с пламъците, извършете едно от следните действия, за да разрешите проблема:

Ако пламъците са...	Направете следното...
Ниски и изцяло жълти	<ol style="list-style-type: none">1 Незабавно прекъснете газоподаването и настройте всички контролни копчета в положение OFF (Изкл.).2 Вижте "14 Откриване и отстраняване на неизправности", за да определите причината за проблема. Най-вероятно тръбите на Вентури са запушени.
По-високи от купата	<ol style="list-style-type: none">1 Незабавно прекъснете газоподаването и настройте всички контролни копчета в положение OFF (Изкл.).2 Изчакайте 5 минути, за да позволите на натрупаната газ да се изпари.3 Запалете отново горелката(ите)4 Ако проблемът продължава, вижте "14 Откриване и отстраняване на неизправности", за да определите причината за проблема.



10 ПОЛЕЗНИ СЪВЕТИ И ПРЕПОРЪКИ

10.1 Предварително затопляне на уреда

Чрез предварителното затопляне на уреда осигурявате достатъчното нагряване на скарата в момента, в който поставите храна върху нея. Направете следното:

- 1 Запалете главната(ите) горелка(и) и настройте контролното(ите) копче(та) на HIGH (Високо).
- 2 Затворете капака и оставете уреда десет минути.
- 3 След десет минути отворете капака и поставете храната върху скарата.
- 4 Ако сега желаете по-малко топлина, настройте контролното(ите) копче(та) до по-ниско положение.

10.2 Предотвратяване на залепването на храната

За да предотвратите залепването на храната към скарата:

- Намажете по храната малко мазнина с четка, преди да я поставите на скарата. Можете също да намажете самата скара.
- Затоплете предварително уреда. Колкото по-топла е скарата, когато поставите храна върху нея, толкова по-малко ще залепва храната.
- Не обръщайте храната прекалено бързо. Първо я оставете да се затопли.

10.3 Директно и неди­ректно печене на скара

В зависи­мост от типа на храната, която приготвяте, и това как искате да я при­готвите, можете да печете на скара директно и неди­ректно:

Метод	Описание	Използване
Директно	Поставете храната директно над запалена горелка, настройте горелката на високо положение и оставете капака отворен.	За обжарване на месо и зеленчуци
Недиректно	Поставете храната до запалена горелка, настройте горелката на средно/ниско положение и затворете капака.	За допълнително готвене на обжарено месо



Когато печете на скара под затворен ка­пак, винаги следете термометъра на капака, за да сте сигурни, че уредът няма да прегрее. Вижте "10.5 Следене на температурата".

10.4 Печене на скара със затворен ка­пак

Затварянето на капака, докато печете на скара, има някои важни предимства:

- Температурата на скарата е по-висока и остава по-постоянна.
- Намаляват времето за готвене на храната и поддържат храната по-сочна.
- Намаляват внезапните пламъци и спестяват газ.



Когато печете на скара под затворен ка­пак, винаги следете термометъра на капака, за да сте сигурни, че уредът няма да прегрее. Вижте "10.5 Следене на температурата".

10.5 Следене на температурата

Вашият уред е снабден с мощни горелки и затова се на­грива бързо и можете да поддържате температурата постоянна. Когато печете на скара под затворен ка­пак, обаче, трябва да следите уредът да не се на­грее прекалено много. Наблюдавайте термометъра на капака и вземете под внимание следните указания:

- Нормалната температура на готвене е около 210 °С. При по-висока температура капещата и натрупаната мазнина могат да се запалят.
- Температурата никога не трябва да превишава 300 °С за повече от пет минути. Това може да повреди или деформира уреда.



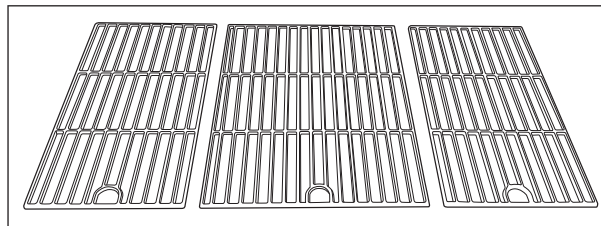
Ако уредът се на­грее прекалено, го охладете, като отворите капака и настройте горелките на по-ниска мощност.

10.6 Оптимално въз­ползване от топлината

Централната част на купата е по-гореща от страните. За да ви позволи да се възползвате от най-горещите части максимално, уредът е снабден със скари с различни размери. Той се доставя с:

- Една голяма скара, която се поставя в центъра на купата.
- Две по-малки скари, които се поставят от страни на купата.

Ако поставите скарите правилно в купата и запалите всички горелки, цялата централна скара грил ще бъде на­грята максимално. По този начин можете да разширите най-горещата част на купата и да се възползвате максимално от повърхността на скарите на вашия уред.



10.7 Извличане на полза от зоните на топлина

Когато всички горелки са запалени, козирките на горелките разпределят топлината възможно най-равномерно по скарата. Въпреки това, равномерно затопляне, някои зони са по-горещи от други. Можете да се възползвате от тези зони на топлина, за да сготвите храната си до съвършенство:

Зона	Гореща?	Използвайте, за да...
Отпред	Гореща	Печете фина храна (скарриди, риба и др.)
В центъра	По-гореща	Пригответе храна, която се нуждае от известно време за готвене (например наденички, пилешки кълки и др.)
Отзад	Най-гореща	Обжарете месо и зеленчуци



Можете също да създадете зони на топлина, като настроите силата на горелките. Например можете да настроите горелка на ниска позиция и да използвате зоната над тази горелка за фина храна или храна, която се нуждае от известно време за готвене.

10.8 Избягване на внезапни пламъци:

По време на печене на скара е нормално да се появят внезапни пламъци. Прекалено многото внезапни пламъци, обаче, увеличават температурата в уреда и могат да запалят натрупаната мазнина. За да избегнете внезапните пламъци:

- Проверявайте дали купата е чиста, когато започвате да печете на скара. Препоръчваме ви да поставяте нов Leaf® в купата преди всяка употреба. Вижте "11.2 Почистване на купата".
- Проверявайте редовно дали отворът за изтичане на мазнина не е запушен и дали тавата или чашката за капеща мазнина не е пълна.
- Когато печете мазно месо, изрежете излишната мазнина, затворете капака и настройте горелките на средно или ниско положение.

11 ПОДДРЪЖКА НА УРЕДА

11.1 Почистване на скарата

Препоръчваме ви да почиствате скарата след всяко използване с Barbecook cleaner. Направете следното:

- 1 Разпръскайте пяната по скарата и я оставете да действа известно време.
Пяната се обезцветява, тъй като муква замърсяванията и мазнините.
- 2 Отстранете пяната с мека гъба и вода и изплакнете скарата обилно.
- 3 Изсушете скарата добре и я съхранете на сухо място. Това предотвратява образуването на ръжда.



Можете също да почистите скарата с мек миещ препарат или със сода бикарбонат. Никога не използвайте препарати за почистване на фурни върху скарата.

11.2 Почистване на купата

Препоръчваме ви да почиствате купата след всяко използване. Най-лесният начин да направите това е да поставите Leaf® в купата, преди да започнете да печете на грил. Leaf® е фолио, което пасва идеално на купата и улавя всички остатъци и мазнини. Когато уредът се охлади, просто отстранете Leaf®, което ще остави купата чиста.



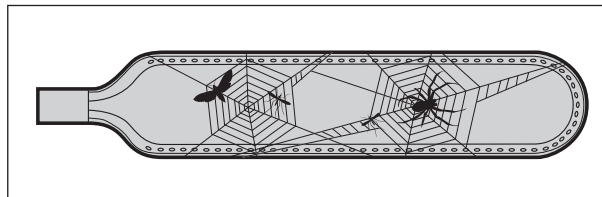
Регистрирайте вашия уред на www.barbecook.com, за да откриете какъв тип Leaf® ви е необходим.

11.3 Почистване на горелките и тръбите на Вентури

11.3.1 ЗАЩО ТРЯБВА ДА ПОЧИСТВАТЕ ГОРЕЛКИТЕ И ТРЪБИТЕ НА ВЕНТУРИ?

Паяците и насекомите може да си направят паяжини и гнезда в горелките и тръбите на Вентури. Това може да запуши газоподаването към горелките. В резултат на това:

- Няма да можете да запалите горелките. Ако все пак успеете да ги запалите, те ще произведат само димни и жълти пламъци.
- Газта може да започне да гори извън тръбите на Вентури при контролните копчета. Тези огънове се наричат обратни пламъци и могат да доведат до сериозни наранявания и повреда на материала.



Повредите, причинени от запушени горелки и тръби на Вентури, се считат за недостатъчна поддръжка и не се покриват от гаранцията.

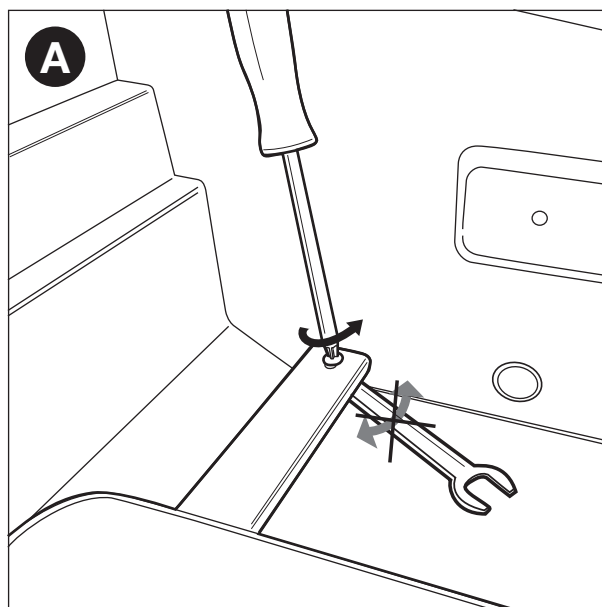
11.3.2 КОГА ТРЯБВА ДА ПОЧИСТВАТЕ ГОРЕЛКИТЕ И ТРЪБИТЕ НА ВЕНТУРИ?

Трябва да почиствате горелките и тръбите на Вентури на вашия уред:

- Преди първата употреба след продължителен период на неизползване.
- Поне два пъти годишно, от които единият в началото на сезона.

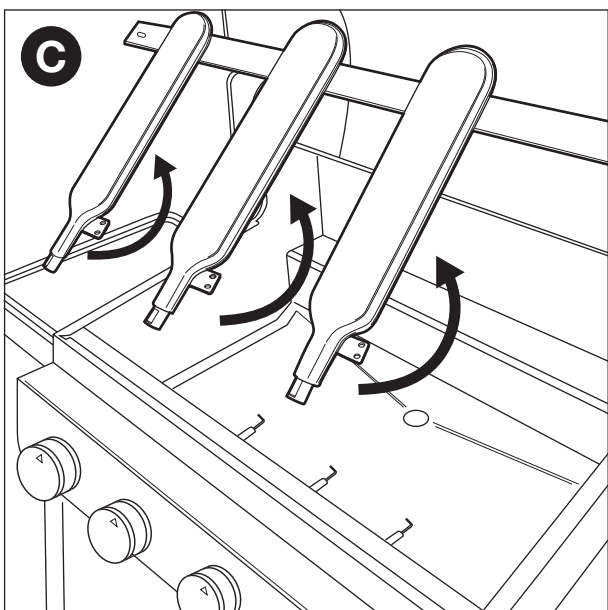
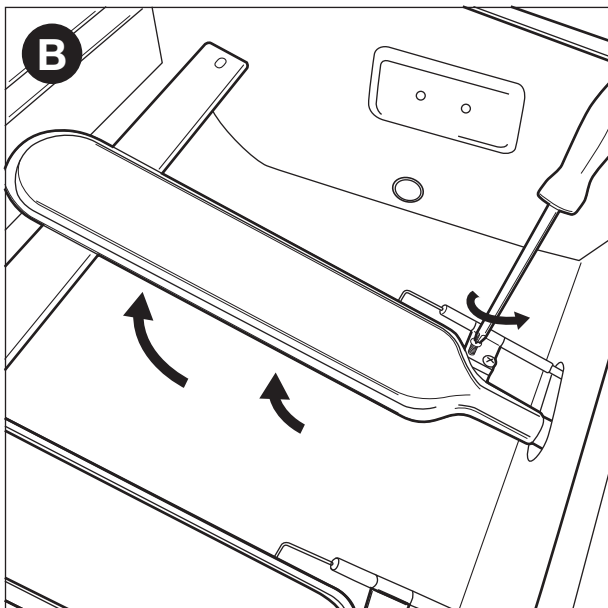
11.3.3 За да почиствате горелките и тръбите на Вентури

- 1 Отстранете горелките от уреда, както е показано на илюстрациите. Ако забележите, че някоя горелка е повредена, трябва да я подмените.



11.4 Поддръжка на части с покритие от емайл, неръждаема стомана и части с прахово покритие

Уредът е съставен от части с покритие от емайл, неръждаема стомана и части с прахово покритие. Всеки материал трябва да се поддържа по различен начин:



Материал	Как да поддържате този материал
Емайл	<ul style="list-style-type: none"> • Не използвайте остри предмети и не удряйте в твърда повърхност. • Избягвайте контакта със студени течности, докато уредът все още е горещ. • Можете да използвате метални гъби и абразивни миещи препарати.
Неръждаема стомана	<ul style="list-style-type: none"> • Не използвайте агресивни, абразивни или метални миещи препарати. • Използвайте меки миещи препарати и ги оставете да действат по стоманата. • Използвайте мека гъба или кърпа. • Изплакнете обилно след почистване и изсушете добре преди съхранение.
Прахово покритие	<ul style="list-style-type: none"> • Не използвайте остри предмети. Използвайте меки почистващи препарати и мека гъба или кърпа. • Изплакнете обилно след почистване и изсушете добре преди съхранение.



За да предотвратите образуването на ръжда по неръждаемата стомана, избягвайте контакта с хлор, сол и желязо. Препоръчваме ви да не използвате уреда близо до брега, близо до железопътни релси или близо до плувни басейни.



Повредите, причинени от неспазване на тези инструкции, се считат за недостатъчна поддръжка и не се покриват от гаранцията.

Под разглобения вид на вашия уред (втората част на ръководството) ще намерите списък с всички части, съставляващи уреда. Този списък включва символ, който посочва материала на всяка част, така че можете да го използвате, за да проверите как да поддържате определена част. Списъкът с части използва следните символи:

Символ	Материал
●	Емайл
■	Неръждаема стомана
★	Прахово покритие

11.5 Съхранение на уреда

Ако не използвате уреда дълъг период от време, го съхранете на сухо място. Преди да съхраните уреда:

- Разкачете газовата бутилка. Никога не съхранявайте уреда на закрито (дори в гараж или навес), докато е свързан с газовата бутилка.
- Почистете горелките и гриловете, намажете ги с масло и ги обвийте в хартия.
- Ако вашият уред е снабден с горелка за шишове, отстранете двигателя на горелката за шишове и я съхранете на сухо място.

2 Почистете горелките и тръбите на Вентури с малка четка или домашно направен почистващ уред за тръби (разгънат кламер, четка за тръби и др.)

3 Поставете горелката обратно. Трябва да поставите тръбите над отворите на клапаните за газ.

- Покрийте уреда с Barbecook капак. Регистрирайте своя уред на www.barbecook.com, за да разберете какъв капак ви е необходим.

11.6 Съхраняване на газови бутилки

Тези инструкции се отнасят както за празни, така и за пълни газови бутилки.

- Винаги съхранявайте газовите бутилки на открито проветриво място. Уверете се, че не са изложени на прекалена горещина и директна слънчева светлина.
- Никога не съхранявайте газова бутилка на място, където може да стане много горещо (в автомобил, на лодка и др.).
- Никога не съхранявайте газовата бутилка или резервната газова бутилка в шкафа на вашия уред.
- Никога не съхранявайте вашата резервна газова бутилка близо до газов уред, който се използва.
- Винаги съхранявайте газовите бутилки далеч от достъпа на деца.
- Винаги съхранявайте и транспортирайте газовите бутилки в изправено положение.

11.7 Поръчка на резервни части

Частите, директно изложени на огън или силна топлина, трябва от време на време да се заменят. За да поръчате резервна част:

- 1 Вижте справочния номер на необходимата част. Списък с всички справочни номера можете да намерите под разглобените изгледи във втората част на това ръководство или на www.barbecook.com.



Ако регистрирате своя уред онлайн, автоматично ще бъдете насочени към правилния списък.

- 2 Поръчайте резервната част на избраното място за покупка. Можете да поръчвате резервни части както в гаранционни, така и в извънгаранционни условия.

12 ГАРАНЦИЯ

12.1 Какво се покрива от гаранцията

Вашият уред се продава с двегодишна гаранция от датата на покупка. Тази гаранция включва всички производствени дефекти, при условие, че:

- Сте използвали, сглобили и поддържали своя уред в съответствие с инструкциите в това ръководство. Повредите, причинени от неправилна употреба, неправилно сглобяване или недостатъчна поддръжка, не се считат за производствени дефекти.
- Можете да предоставите квитанцията и уникалния сериен номер на вашия уред. Този сериен номер започва с G, последвано от 15 цифри. Можете да го намерите:
 - В това ръководство и в краткото упътване, включено в ръководството.
 - На опаковката на уреда.
 - На етикета за тип от вътрешната страна на вратата на шкафа.

- Отделът по качеството на Barbecook потвърди, че частите са дефектни и са дефектирали при нормалната употреба, правилно сглобяване и достатъчна поддръжка.

Ако едно от горните условия не е изпълнено, не можете да претендирате за каквато и да е форма на компенсация. Във всички случаи гаранцията е ограничена до ремонта или подмяната на дефектната(ите) част(и).

12.2 Какво не се покрива от гаранцията

Следните повреди и дефекти не се покриват от гаранцията:

- Нормално износване (ръждясване, изкривяване, обезцветяване и др.) на частите, които са директно изложени на огън или силна топлина. Подмяната на тези части от време на време е нормална.
- Визуални несъответствия, които са присъщи за производствения процес. Тези несъответствия не се считат за производствени дефекти.
- Всички повреди, причинени от недостатъчна поддръжка, неправилно съхранение, неправилно сглобяване или модификации, направени по предварително сглобените части.
- Всички повреди, причинени от неправилно използване или злоупотреба с уреда (ако не се използва според инструкциите в това ръководство, ако се използва за търговски цели и др.).
- Всички повреди вследствие на невнимателно използване или използване на уреда не по предназначение.
- Ръжда или обезцветяване, причинени от външни влияния, използването на агресивни миешки препарати, излагането на хлор и др. Тези повреди не се считат за производствени дефекти.

13 ТЕХНИЧЕСКИ СПЕЦИФИКАЦИИ

13.1 Етикет за тип

Етикетът за тип изброява всички технически спецификации на вашия уред. Можете да го намерите:

- Във втората част на това ръководство.
- На вътрешната страна на вратата на шкафа.

13.2 Диаметри на инжекторите

- Главна горелка: 0,991 мм
- Странична горелка: 0,88 мм

14 ОТКРИВАНЕ И ОТСТРАНЯВАНЕ НА НЕИЗПРАВНОСТИ

Проблем	Вероятна(и) причина(и)	Решение(я)
Няма достатъчно топлина	<ul style="list-style-type: none"> Газоподаването не е отворено Тръбите на Вентури не са поставени над отворите на клапаните за газта Отворите на горелките са запушени Газовата бутилка е (почти) празна Регулаторът на налягането не е свързан правилно към бутилката и/или маркуча 	<ul style="list-style-type: none"> Отворете газоподаването Поставете тръбите на Вентури над отворите на клапаните за газта Почистете отворите на горелките или подменете горелките Подменете газовата бутилка Свържете отново регулатора на налягането към бутилката и/или маркуча
Прекалена топлина и/или внезапни пламъци	<ul style="list-style-type: none"> Храната е прекалено мазна Отворът за изтичане на мазнината е запушен, мазнина в купата и/или мазнина по горелките Козирките на горелката не са монтирани правилно Температурата е твърде висока 	<ul style="list-style-type: none"> Изрежете излишната мазнина или настройте горелките на ниско положение Почистете отвора за изтичане на мазнината, купата и горелките Монтирайте козирките на горелките правилно Настройте горелките на по-ниска температура и/или печете храната непряко върху скарата
Топлината не е разпределена равномерно по повърхността на скарата	<p>Нормално е да има известна разлика в топлината; вижте “11.6 Оптимално възползване от топлината” и “11.7 Извличане на полза от зоните на топлина”. Вероятна(и) причина(и) за големи разлики в топлината:</p> <ul style="list-style-type: none"> Козирките на горелките не са монтирани правилно Уредът не е предварително нагрят 	<ul style="list-style-type: none"> Монтирайте козирките на горелките правилно Нагрейте уреда предварително
Жълти пламъци	<ul style="list-style-type: none"> Запушени горелки или тръби на Вентури Сол по горелките Уредът е свързан към бутан 	<ul style="list-style-type: none"> Почистете горелките и тръбите на Вентури Почистете горелките Свържете уреда към пропан, използвайки подходящия регулатор на налягането
Непълен пламък	Запушена, пробита или ръждясала горелка	Почистете или подменете горелката
Обратни пламъци (пламъци извън тръбите на Вентури/при контролните копчета)	Запушени горелки или тръби на Вентури	<ol style="list-style-type: none"> Прекъснете газоподаването и настройте горелките в положение OFF (Изкл.). Оставете уреда да се охлади. Почистете горелките и тръбите на Вентури.
Пламъците са по-високи от ръба на купата	<ul style="list-style-type: none"> Силен вятър Газовата бутилка е (почти) празна Мазнина в купата и/или по горелките 	<ul style="list-style-type: none"> Поставете уред със задната страна към вятъра Подменете газовата бутилка Почистете купата, почистете горелките и подменете Leaf®
Регулаторът на налягането бръмчи	<ul style="list-style-type: none"> Горещо време Нова (пълна) газова бутилка 	Това не е опасност или дефект. Би трябвало автоматично да спре след известно време.
Горелката свисти, когато е в положение LOW (Ниско)	Замърсен газов инжектор, тръба на Вентури и/или горелка	Почистете газовия инжектор, тръбата на Вентури и горелката
Горелката не може да се запали (нито със запалител, нито с кибрит)	<ul style="list-style-type: none"> Запушена горелка или тръба на Вентури Няма газоподаване 	<ul style="list-style-type: none"> Почистете горелката и тръбата на Вентури Отворете газоподаването и натиснете копчето за безопасност на регулатора на налягането (не присъства на всички регулатори)

Проблем	Вероятна(и) причина(и)	Решение(я)
Горелката не може да се запали със запалител	<ul style="list-style-type: none"> • Не е поставена батерията или батерията е поставена неправилно • Запалителят не е окабелен правилно • Повреден електрод • Грешно заземяване • Повреден запалител 	<ul style="list-style-type: none"> • Поставете (отново) батерията, като позиционирате правилно клемите • Проверете и осъществете отново всички връзки на запалителя • Подменете електрода • Проверете и сглобете отново електродите, горелките и запалителя • Подменете запалителя
При натискане на запалителя не излизат искри и не се чува звук	<ul style="list-style-type: none"> • Не е поставена батерията или батерията е поставена неправилно • Изчерпана батерия • Бутонът на запалителя не е сглобен правилно • Повреден искрогенератор 	<ul style="list-style-type: none"> • Поставете (отново) батерията, като позиционирате правилно клемите • Подменете батерията • Сглобете отново бутона на запалителя • Подменете искрогенератора
При натискане на запалителя се чува само звук (не се виждат искри)	<ul style="list-style-type: none"> • Грешно заземяване • Твърде отдалечени един от друг горелка и електрод 	<ul style="list-style-type: none"> • Свържете отново искрогенератора и електродите • Леко огънете електрода, за да го приблизите до горелката
Има искри, които не излизат от горелките	Грешно окабеляване	Подменете окабеляването
Има искри, но не при всички електроди и/или не са достатъчно силни	<ul style="list-style-type: none"> • Грешно заземяване • Изтощена батерия • Мокри или счупени електроди 	<ul style="list-style-type: none"> • Свържете отново искрогенератора и електродите • Подменете батерията • Изсушете електродите с хартиена кърпа или ги подменете

SI – PRIROČNIK ZA UPORABO

1	Registrirajte vašo napravo.....	348	10	Koristni nasveti in namigi	354
2	O tem priročniku	348		• Predhodno segrevanje naprave	354
3	Pomembna varnostna navodila.....	348		• Preprečevanje sprijemanja hrane	354
	• Branje in upoštevanje navodil.....	348		• Neposredno in posredno pečenje.....	354
	• Bodite previdni s plinom.....	348		• Pečenje z zaprtim pokrovom.....	354
	• Izbiranje primerne mesta uporabe.....	348		• Spremljanje temperature	354
	• Uporabite razum	348		• Optimalno izkoriščanje toplote.....	354
				• Izkoristite vroča območja	355
4	Ponavljajoči se koncepti.....	348		• Preprečevanje vzplamtitve ognja	355
	• Venturijeve cevi.....	348	11	Vzdrževanje naprave.....	355
	• Pokrovi gorilnikov	349		• Čiščenje rešetke	355
	• Emajl.....	349		• Čiščenje kurišča	355
	• Vzplamtitve ognja	349		• Čiščenje gorilnikov in venturijevih cevi.....	355
5	Sestavljanje naprave	349		• Vzdrževanje delov iz emajla, nerjavečega jekla in delov s praškastim premazom	356
	• Varnostna navodila	349		• Shranjevanje naprave	356
	• Sestavljanje naprave.....	349		• Shranjevanje plinskih jeklenk	357
6	Priklop plina na napravo.....	349		• Naročanje nadomestnih delov	357
	• Katero jeklenko, cev in regulator?	349	12	Garancija.....	357
	• Varnostna navodila	350		• Vključeno v garancijo	357
	• Priklučitev cevi na napravo	350		• Izvzeto iz garancije	357
	• Priklučitev cevi in jeklenke na regulator.....	350	13	Tehnične specifikacije.....	357
	• Zamenjava jeklenke	351		• Tipska nalepka	357
7	Preverjanje uhajanja plina	351		• Premeri vbrizgalnika	357
	• Zakaj preveriti uhajanje plina?	351	14	Odpravljanje težav	358
	• Kdaj preveriti uhajanje plina	351			
	• Varnostna navodila	351			
	• Katere materiale potrebujem?	351			
	• Kako preveriti uhajanje plina	351			
	• V primeru uhajanja plina	352			
8	Pripravljanje naprave za uporabo.....	352			
	• Pred vsako uporabo	352			
	• Pred prvo uporabo (po dolgem času).....	352			
	• Gorenje v napravi	352			
9	Prižiganje gorilnikov	352			
	• Varnostna navodila	352			
	• Prižiganje glavnih gorilnikov	352			
	• Prižiganje stranskega gorilnika.....	353			
	• Ugašanje gorilnikov	353			
	• Ponovno prižiganje gorilnikov.....	353			
	• Preverjanje plamena	353			

1 REGISTRIRAJTE VAŠO NAPRAVO

Zahvaljujemo se vam za nakup naprave Barbecue! Prepričani smo, da boste z njo imeli veliko veselja.

Za še boljše izkušnjo registrirajte vašo napravo na spletnem naslovu www.barbecue.com. Vzelo vam bo le nekaj minut in vam prineslo številne prednosti:

- Na voljo vam bo dostop do individualnih storitev za kupce. To pomeni, da boste npr. lahko hitro našli nadomestne dele ali izkoristili optimalne garancijske storitve.
- Obveščali vas bomo o zanimivih posodobitvah izdelkov in vas usmerili do informacij in specifikacij o izdelkih, ki so relevantni za vašo napravo.



Za več informacij o registriranju vaše naprave glejte www.barbecue.com.



Barbecue spoštuje vašo zasebnost. Vaših podatkov ne bomo prodali, posredovali ali delili s tretjimi osebami.

2 O TEM PRIROČNIKU

Ta priročnik je sestavljen iz dveh delov:

- Del, ki ga pravkar berete, je prvi del. Ta vsebuje navodila za sestavljanje, uporabo in vzdrževanje vaše naprave.
- Drugi del se začne na strani 379. Vsebuje različne slike (povečane prikaze, sezname delov, tipske nalepke) naprav, ki so opisane v tem priročniku.

3 POMEMBNA VARNOSTNA NAVODILA

3.1 Branje in upoštevanje navodil

Pred uporabo naprave preberite navodila. Vedno natančno upoštevajte navodila. Drugačno sestavljanje ali uporaba naprave lahko povzroči požar in materialno škodo.



Garancija ne velja za poškodbe, ki nastanejo zaradi neupoštevanja navodil (nepravilno sestavljanje, zloraba, neprimerno vzdrževanje itd.).

3.2 Bodite previdni s plinom

Delo s plinom je povsem varno, a je treba biti posebej previden:

- Plinske jeklenke vedno hranite na prostem in v dobro prezračenem območju. Poskrbite, da ne bodo izpostavljene prekomerni vročini ali neposredni sončni svetlobi.
- Plinske jeklenke ali rezervne plinske jeklenke nikoli ne hranite v omarici vaše naprave.
- Ko je plinska jeklenka v uporabi, jo postavite na voziček za jeklenke ob strani naprave.
- Rezervne plinske jeklenke nikoli ne hranite v bližini plinske naprave, ki je v uporabi.
- Po uporabi dovajanje plina zmeraj zaprite na plinski jeklenki.
- V bližini plinske naprave, ki je v uporabi, ali v bližini plinske jeklenke (polne/prazne) nikoli ne kadite.



Če zavohate plin, takoj zaprite dovajanje plina, pogasite vse plamene in odprite pokrov naprave. Če vonj po plinu ne izgine, pokličite vašega dobavitelja plina ali gasilce.

3.3 Izbiranje primernege mesta uporabe

Napravo je dovoljeno uporabljati samo na prostem. Če napravo uporabljate v notranjih prostorih, tudi v garaži ali uti, lahko pride do zastrupitve z ogljikovim monoksidom.

Pri izbiranju mesta uporabe na prostem vedno:

- postavite napravo vsaj tri metre vstran od kakršnih koli zgradb na odprto in dobro prezračeno območje.
- Zagotovite, da bo vedno zagotovljen prost dotok zraka do gorilnikov in prezračevalnih odprtin v omarici.
- Prepričajte se, da naprava ni nameščena pod visečo konstrukcijo (verando, nadstreškom itd.).
- Napravo postavite na trdno in stabilno površino. Nikoli je ne postavljajte na premikajoče se vozilo (ladjo, prikolico itd.).

3.4 Uporabite razum

Pri uporabi naprave vedno uporabite razum:

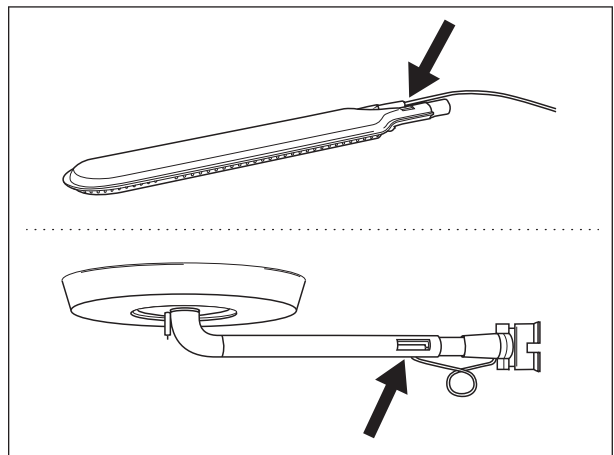
- Uporabljajte samo na prostem.
- Naprave med uporabo ne premikajte.
- Naprave med uporabo ne puščajte brez nadzora, zlasti ne v prisotnosti otrok ali živali.
- POZOR! Nekateri dostopni deli lahko postanejo zelo vroči. Ne dovolite, da bi se jim otroci približali.
- Pri rokovanju z vročimi deli (pokrov, rešetka) uporabite primerno zaščito.
- V bližini naprave med uporabo naj ne bo vnetljivih materialov.
- Vnetljivih materialov, vnetljivih tekočin in topljivih predmetov ne približujte napravi, ko jo uporabljate.
- Na plinski napravi ne uporabljajte lesa, oglja, vulkanskega kamenja ali keramičnih briketov.
- Naprave ne uporabljajte, če ste pili alkohol ali jemali poživila.
- Naprave ne spreminjajte.

4 PONAVLJAJOČI SE KONCEPTI

Ta del vsebuje definicije nekaterih manj znanih konceptov. Ti koncepti so uporabljeni v več poglavjih priročnika.

4.1 Venturijeve cevi

Venturijeve cevi so majhne cevi, ki so pritrjene na vstopne odprtine gorilnikov. Ob strani venturijevih cevi je odprtina. Videti jo je mogoče na glavnih gorilnikih in na stranskem gorilniku:



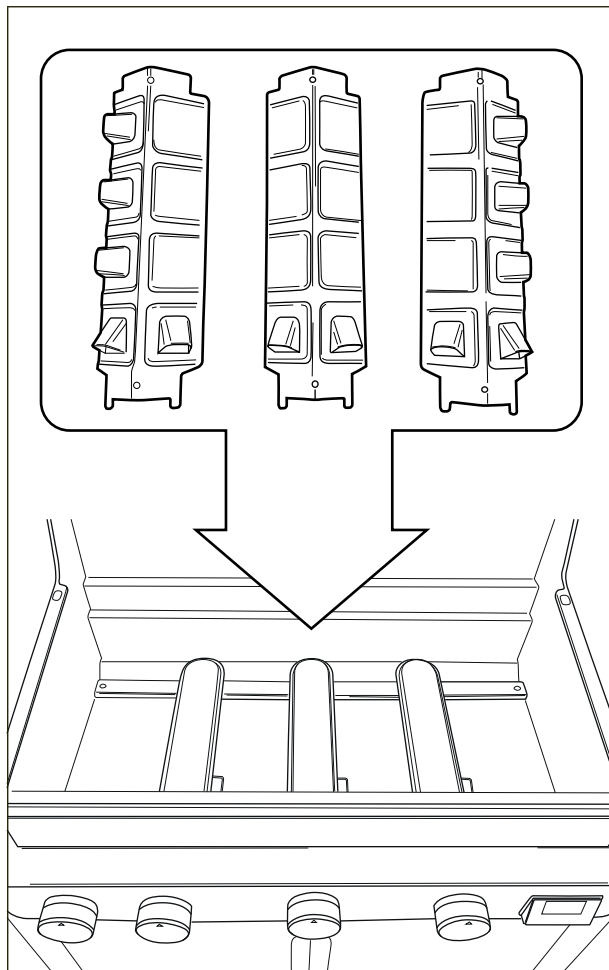
Ko se plin dovaja do gorilnikov, teče skozi venturijeve cevi. Zahvaljujoč odprtinam ob strani se plin meša z zrakom in posledično tudi s kisikom. To je potrebno za dober vžig gorilnikov: samo pravilna zmes plina in kisika se bo pravilno vnela, plameni pa bodo posledično dobri.

4.2 Pokrovi gorilnikov

Pokrovi gorilnikov so pokrovi, ki jih namestite nad gorilnike vaše naprave. Gorilnike ščitijo pred kapljajočo maščobo in so ključnega pomena za Turbo Heating System. Prekrite odprtine ob straneh pokrovov razporejajo toploto čez celotno rešetko, ki se tako segreje veliko hitreje in bolj enakomerno.



Na pokrove gorilnikov bodite posebej pozorni med sestavljanjem naprave. Turbo Heating System lahko pravilno deluje le, če je vsak pokrov nameščen čez ustrezen gorilnik.



4.3 Emajl

Nekateri deli naprave so prevlečeni s plastjo staljenega stekla, ki se imenuje emajl. Ta emajl ščiti kovino pred korozijo. Emajl je visokokakovosten material: odporen je na rjo, ne zbledi pod vplivom visokih temperatur in je preprost za vzdrževanje.



Ker je emajl manj prožen od kovine, ki jo prekriva, se lahko delci emajla v primeru nepravilne uporabe naprave odlomijo. Da bi preprečili težave, bodite pazljivi pri sestavljanju emajliranih delov in emajl vedno vzdržujte, kot je opisano v nadaljevanju tega priročnika.

4.4 Vzplamtitev ognja

Vzplamtitev ognja pomeni, da med pečenjem na žaru iz kurišča nenadoma zagorijo plameni. Običajno do njih pride zaradi kapljanja maščobe ali marinade.

5 SESTAVLJANJE NAPRAVE

5.1 Varnostna navodila

- Naprave med sestavljanjem ne spreminjajte. Spreminjanje delov, ki so vnaprej sestavljeni in/ali jih je zapečatil proizvajalec, je zelo nevarno in ni dovoljeno.
- Vedno natančno upoštevajte navodila za sestavljanje.
- Uporabnik je odgovoren za pravilno sestavljanje naprave. Garancija ne vključuje poškodb, ki so posledica nepravilnega sestavljanja.

5.2 Sestavljanje naprave

Potrebujete križni izvijač, ploščati izvijač in baterijo tipa AA (električni vžigalnik). Če ima naprava gorilnik za raženj, boste potrebovali še bateriji tipa D (motorček gorilnika za raženj). Baterije napravi niso priložene.

- 1 Namestite napravo na ravno in čisto površino.
- 2 Napravo sestavite, kot prikazujejo skice za sestavljanje. Najdete jih v drugem delu tega priročnika, za povečanim prikazom vaše naprave.



Bodite pazljivi pri sestavljanju emajliranih delov. Orodja in vijaki lahko poškodujejo emajl. Uporabite priložene vlaknene podložke, da zaščitite emajl okoli vijakov.



Pretisni omoti lahko vsebujejo več vijakov, kot jih boste potrebovali. Vijaki vam lahko po sestavljanju ostanejo.

6 PRIKLOP PLINA NA NAPRAVO

6.1 Katero jeklenko, cev in regulator?

Preden lahko plin priklopite na napravo, morate kupiti plinsko jeklenko, cev in regulator tlaka. Vedno kupujte izdelke, ki izpolnjujejo vse nacionalne standarde in ki so v skladu z vrsto plina in nazivnim tlakom, kot sta navedena na napravi.

Spodnja preglednica prikazuje, katero jeklenko, cev in regulator morate uporabiti. V Belgiji (BE), na primer, je treba uporabiti propansko jeklenko s cevjo in regulatorjem za 37 mbar ali butansko jeklenko s cevjo in regulatorjem za 28-30 mbar.

Država	Jeklenka, cev in regulator
DK, GR, NO, SE, EE, LT, LV, CZ, PL, MT, HU, SI, SK	Propan, 30 mbar / butan, 30 mbar
ES, GB, IE, PT, BE, FR, LU, IT	Propan, 37 mbar / butan, 28-30 mbar
NL	Propan, 30 ali 50 mbar / butan, 30 mbar
CY	Propan, 30 ali 37 mbar / butan, 28-30 mbar



Priporočamo priklop naprave na propan. Propan zagotavlja visokokakovosten vžig in je manj občutljiv na mraz.



Regulator tlaka in plinsko jeklenko kupite skupaj. Vsi regulatorji niso primerni za vse jeklenke.


6.2 Varnostna navodila

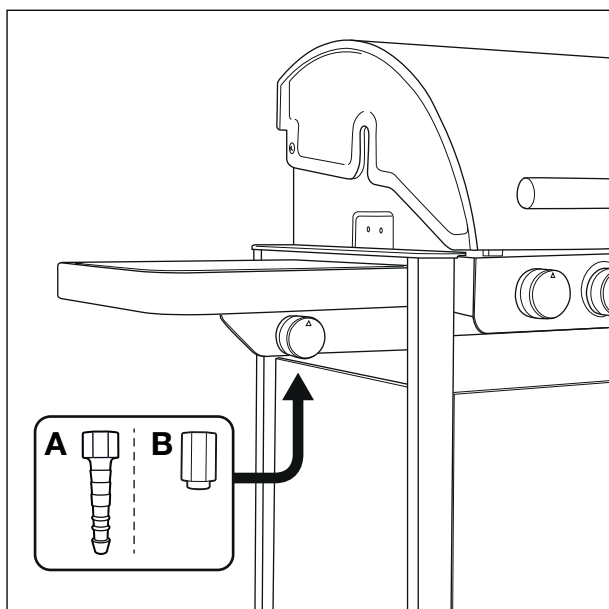
- Jeklenke nikoli ne priklopite neposredno na napravo. Na jeklenko vedno najprej namestite regulator tlaka.
- Nikoli ne spreminjajte predhodno sestavljenih ali zapečatenih delov jeklenke, cevi ali regulatorja tlaka.
- Cev naj bom čim krajša (največ 500 - 650 mm), s čimer preprečite, da bi se vlekla po tleh.
- Ko odklapljate jeklenko, cev in regulator tlaka:
 - Cevi nikoli ne upogibajte.
 - Jeklenka naj bo zmeraj v pokončnem položaju.
 - Ne odpirajte dovajanja plina.
- Vsakič ko spremenite priklop plina, preverite, ali plin kje uhaja. Glejte "7 Preverjanje uhajanja plina".

6.3 Priklučitev cevi na napravo

Da bi cev priklučili na napravo, morate na plinsko cev naprave najprej namestiti spojko. Napravi sta priloženi dve spojki, ki sta namenjeni za uporabo v določenih državah:

Država	Spojka
BE, CH, CZ, DK, ES, FI, GB, IE, IT, PT, SI	Spojka A
FR	Spojka B

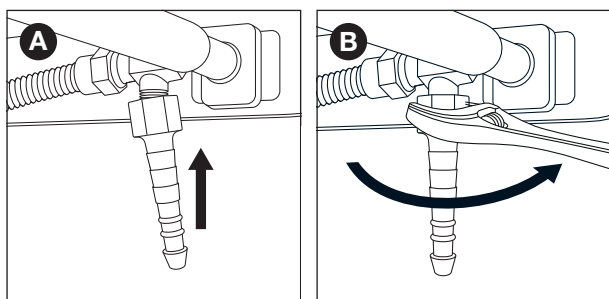
 Če vaše države ni v preglednici, uporabite spojko, ki izpolnjuje standarde v vaši državi.



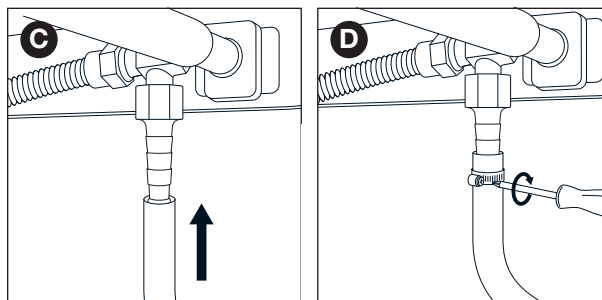
6.3.1 SPOJKA A

Potrebujete 19 mm ključ in križni izvijač.

- 1 Spojko privijte na plinsko cev naprave (A) in jo zategnete z 19 mm ključem (B).



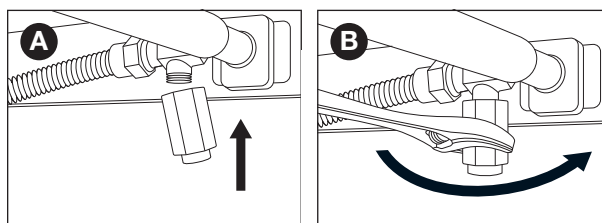
- 2 Cev potisnite čez spojko (C) in vpenjalni obroč nato zategnite s križnim izvijačem (D).



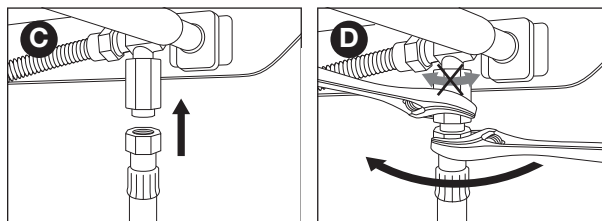
6.3.2 SPOJKA B

Potrebujete 22 mm ključ in francoz.

- 1 Spojko privijte na plinsko cev naprave (A) in jo zategnete z 22 mm ključem (B).



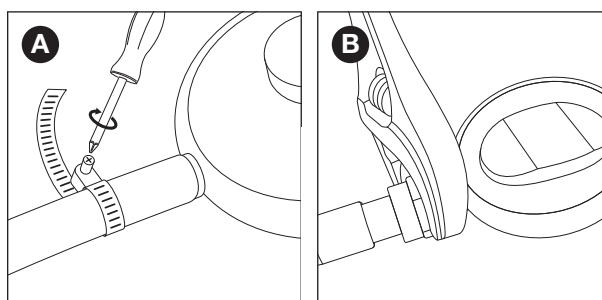
- 2 Plinsko cev privijte na spojko (C) in jo zategnete z dvema ključema. Spojko držite z 22 mm ključem in medtem cev privijate s francozom (D).



6.4 Priklučitev cevi in jeklenke na regulator

Potrebujete križni izvijač in/ali francoz, odvisno od tega, katero vrsto regulatorja tlaka uporabljate.

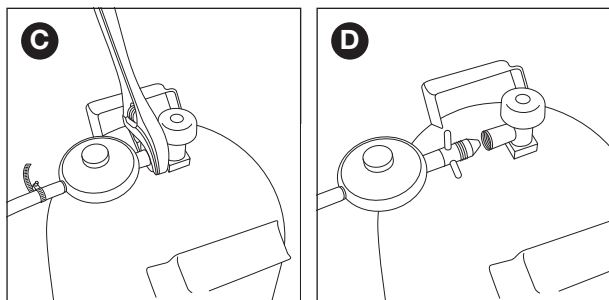
- 1 Cev priklučite na regulator tlaka. Storite eno od naslednjega:
 - Če ima cev vpenjalni obroč, potisnite cev čez regulator in privijte vpenjalni obroč s križnim izvijačem (A).
 - Če ima cev matico, cev privijte na regulator in matico zategnete s francozom (B).



- 2 Regulator tlaka priklučite na plinsko jeklenko. Storite eno od naslednjega:

- Če ima regulator matico, ga na jeklenko privijte v desno in matico zategnete s francozom (C).

- Če ima regulator vijačno glavo, ga na jeklenko privijte v levo (D).



6.5 Zamenjava jeklenke

- 1 Zaustavite dovajanje plina in vse upravljalne gumbje nastavite na OFF (Izklop).
- 2 Odklopite prazno jeklenko in priključite polno jeklenko.
- 3 Preverite jeklenko, cev in vse plinske priključke, če kje morda uhaja plin. Glejte "7 Preverjanje uhajanja plina".


7 PREVERJANJE UHAJANJA PLINA

7.1 Zakaj preveriti uhajanje plina?

Propan in butan sta težja od zraka. Ko uhajata iz naprave, tako ne uideata proč. Zlasti v dneh brez vetra lahko uhajanje povzroči, da se plin nabere v in okrog naprave. Nakopičeni plin se nato lahko vžge in eksplodira.

7.2 Kdaj preveriti uhajanje plina

- Pred prvo uporabo ali pred prvo uporabo po daljšem obdobju neuporabe.

 Uhajanje plina preverite tudi, če je napravo sestavil trgovec.

- Vsakič ko zamenjate kak plinski sestavni del.
- Vsaj enkrat letno, po možnosti pred pričetkom sezone.

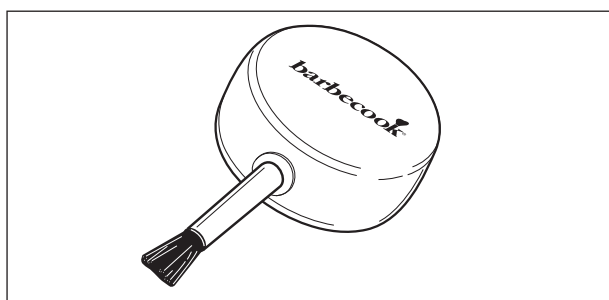
7.3 Varnostna navodila

- Napravo postavite na prosto na dobro prezračevano območje. Poskrbite, da v bližini naprave ne bo plamenov ali virov toplote.
- Uhajanja plina nikoli ne preverjajte z vžigalnikom ali vžgalico.
- Ne kadite in gorilnikov ne prižigajte, ko preverjate, ali plin kje uhaja.

7.4 Katere materiale potrebujem?

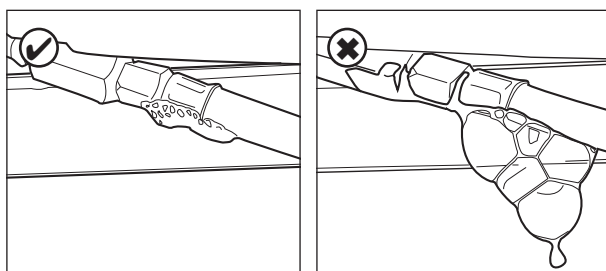
Za preverjanje uhajanja plina potrebujete:

- Preizkuševalno tekočino. Uporabite lahko tudi vnaprej pripravljeno razpršilo za preverjanje uhajanja ali mešanico vode (50 %) in detergenta za pomivanje posode (50 %).
- Orodje za preverjanje uhajanja, ki ste ga dobili skupaj z napravo. Uporabite ga, da posesate preizkuševalno tekočino, ki jo nato nanesete na plinski sestavni del oz. priključek, ki ga želite preveriti.



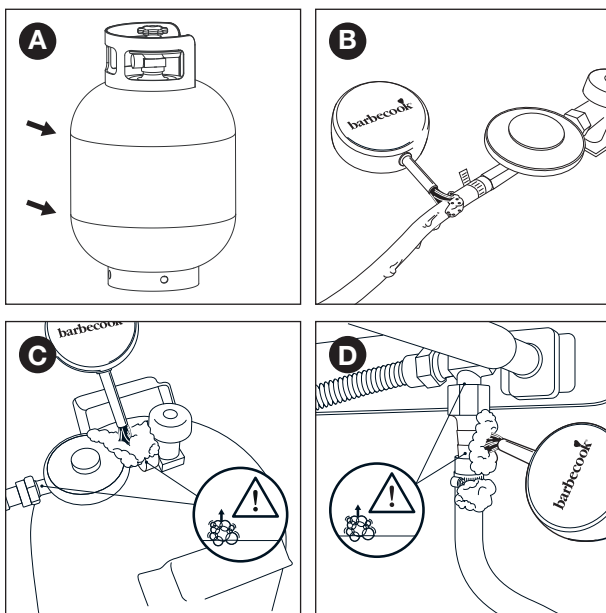
7.5 Kako preveriti uhajanje plina

Uhajanje plina preverite tako, da preizkuševalno tekočino nanesete na vse plinske dele in priključke. Če se mehurčki na določenem delu ali priključku povečujejo, potem plin uhaja:



Za preverjanje uhajanja plina upoštevajte naslednji postopek:

- 1 Napravo postavite na odprt prostor.
- 2 Vzemite orodje za preverjanje uhajanja in preizkuševalno tekočino (razpršilo za preverjanje uhajanja ali mešanico vode/mila).
- 3 Odprite pokrov in vse upravljalne gumbje nastavite na OFF (Izklop).
- 4 Nekoliko odprite dovajanje plina. Ventil plinske jeklenke zavrtite samo za en obrat.
- 5 Nekaj preizkuševalne tekočine posesajte z orodjem za preverjanje uhajanja in jo nanesite na območje, ki ga želite preveriti. Preveriti je treba:
 - Zvare na plinski jeklenki (A)
 - Cev (B)
 - Priključke med jeklenko in regulatorjem tlaka ter med regulatorjem tlaka in cevjo (C)
 - Priključek med cevjo in napravo (D)



 Vaš regulator tlaka in spojka se lahko razlikujeta od tistih na slikah.

- 6 Storite eno od naslednjega:
 - Če zaznate uhajanje, nadaljujte, kot je opisano v "V primeru uhajanja plina".
 - Če plin ne uhaja, zaprite dovajanje plina, vse dele temeljito sperite z vodo in jih dobro posušite.

7.6 V primeru uhajanja plina

- 1 Zaprite dovajanje plina in storite eno od naslednjega:
 - Če ste na katerem od priključkov zaznali uhajanje, ta priključek zategnite.
 - Če ste uhajanje zaznali na jeklenki ali cevi, jeklenko oz. cev zamenjajte.
- 2 Ponovno preglejte priključek oz. del, na katerem ste zaznali uhajanje.
- 3 Če uhajanja ne popravite, se obrnite na trgovca Barbecue. Naprave ne uporabljajte, dokler uhajanje ni popravljeno.



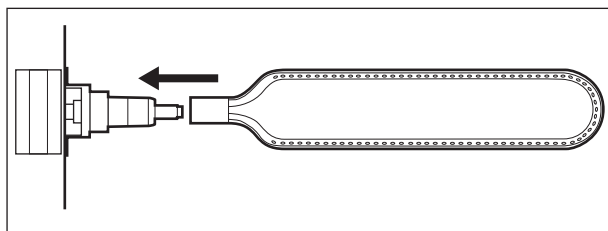
Za seznam trgovcev Barbecue v vaši bližini obiščite www.barbecue.com.

8 PRIPRAVLJANJE NAPRAVE ZA UPORABO

8.1 Pred vsako uporabo

Vsakič ko uporabljate napravo, poskrbite, da:

- Bo postavljena na ustreznem mestu. Glejte "3.3 Izbiranje primerne mesta uporabe".
- Plinska cev se ne vleče po tleh in ne more priti v stik z vročo površino ali kapljajočo maščobo.
- Kurišče je čisto. Priporočamo, da pred vsako uporabo v kurišče daste nov Leaf®. Glejte "11.2 Čiščenje kurišča".
- Gorilniki in venturijeve cevi niso zamašeni z insekti ali pajčevino. Glejte "11.3 Čiščenje gorilnikov in venturijevih cevi".
- Naprava je pravilno sestavljena. Posebej pozorni bodite na:
 - Pokrove gorilnikov. Vsak pokrov je treba namestiti na ustrezen gorilnik. Glejte "4.2 Pokrovi gorilnikov".
 - Venturijeve cevi za gorilnike. Nameščene morajo biti čez odprtine na plinskih ventilih.



Če želite biti povsem prepričani, da je s plinskim prikljopom vse v redu, lahko pred vsako uporabo preverite, ali plin na vaši napravi kje pušča. Glejte "7 Preverjanje uhajanja plina".

8.2 Pred prvo uporabo (po dolgem času)

Če napravo uporabljate prvič ali prvič po dolgem času neuporabe, je treba opraviti nekaj dodatnih pregledov:

- Poskrbite, da boste prebrali, razumeli in preverili vsa navodila v tem priročniku (velja samo pred prvo uporabo).
- Preverite, ali plin na napravi kje uhaja. Glejte "7 Preverjanje uhajanja plina".



Uhajanje plina preverite tudi, če je napravo sestavil trgovec.

- Očistite gorilnike in venturijeve cevi (samo pred prvo uporabo po dolgem času). Glejte "12.3 Čiščenje gorilnikov in venturijevih cevi".
- Zakurite ogenj v napravi, preden nanjo daste hrane (samo pred prvo uporabo). Glejte "8.3 Gorenje v napravi".

8.3 Gorenje v napravi

Z gorenjem v kurišču naprave pred prvo uporabo boste z naprave odstranili maščobo, ki je ostala od proizvodnje. Storite naslednje:

- 1 Prižgite glavne gorilnike in upravljalne gumb nastavite na HIGH (Visoko). Glejte "9.2 Prižiganje glavnih gorilnikov".
- 2 Zaprite pokrov in pustite ogenj v napravi goreti 15 minut. Hrane še ne dajajte na rešetko.
- 3 Po 15 minutah odprite pokrov in pustite ogenj v napravi goreti še 5 minut (upravljalni gumbi so še vedno nastavljeni na HIGH (Visoko)).
- 4 Po teh 5 minutah je naprava pripravljena za uporabo. Zdaj lahko hrano položite na rešetko.

9 PRIŽIGANJE GORILNIKOV



Da bi gorilnike prižgali z električnim vžigalnikom, morate v vžigalnik vstaviti baterijo tipa AA. Baterija napravi ni priložena. Ohišje baterije za vžigalnik najdete v omarici vaše naprave.

9.1 Varnostna navodila

- Pred vžigom naprave opravite vse preglede, ki so navedeni v "8 Pripravljanje naprave za uporabo".
- Poskrbite, da bo pokrov odprt, vsakič ko vžigate gorilnik.
- Med vžiganjem gorilnika se nikoli ne nagibajte neposredno čezenj.

9.2 Prižiganje glavnih gorilnikov

9.2.1 UPORABA VŽIGALNIKA

- 1 Odprite pokrov in upravljalne gumb glavnih gorilnikov nastavite na OFF (Izklop).
- 2 Če ni prižgan še noben drug gorilnik, odprite dovajanje plina in počakajte deset sekund. Na ta način se plin stabilizira.
- 3 Pritisnite na upravljalni gumb gorilnika, nastavite ga na HIGH (Visoko) in ga za trenutek pridržite. Vgrajeni vžigalnik bo povzročil iskre, ki bodo prižgale gorilnik.

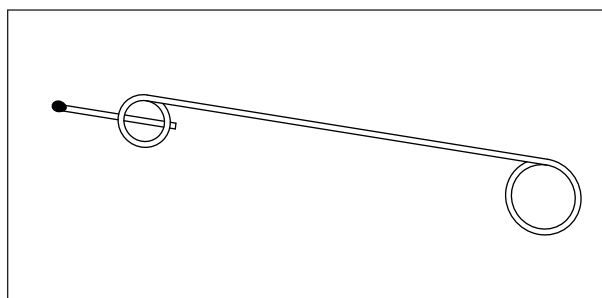


Vedno najprej prižgite en glavni gorilnik. Nikoli hkrati ne prižgite vseh glavnih gorilnikov.

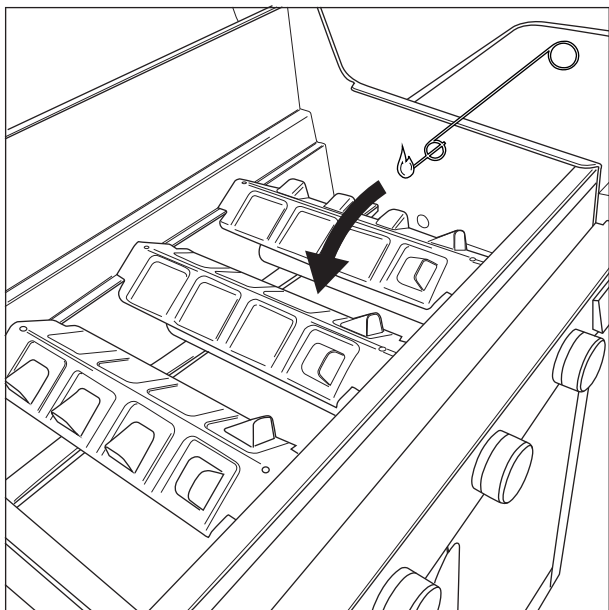
- 4 Če se gorilnik po treh poskusih ne prižge, njegov upravljalni gumb nastavite na OFF (Izklop), zaprite dovajanje plina in počakajte 5 minut. Na ta način lahko se nakopičeni plin sprosti.
- 5 Ponovno poskusite prižgati gorilnik. Če se še vedno ne prižge, ga poskusite prižgati z vžigalico ali glejte "14 Odpravljanje težav", da ugotovite vzrok težave.

9.2.2 UPORABA VŽIGALICE

- 1 Vžigalico dajte v nosilec za vžigalice.



- 2 Odprite pokrov in upravljalne gumbе glavnih gorilnikov nastavite na OFF (Izklop).
- 3 Če ni prižgan še noben drug gorilnik, odprite dovajanje plina in počakajte deset sekund. Na ta način se plin stabilizira.
- 4 Prižgite vžigalico in jo držite približno 13 mm proč od gorilnika.



- 5 Upravljalni gumb enega gorilnika nastavite na HIGH (Visoko).

! Vedno najprej prižgite en glavni gorilnik. Nikoli hkrati ne prižgite vseh glavnih gorilnikov.

- 6 Če se gorilnik v 5 sekundah ne prižge, njegov upravljalni gumb nastavite na OFF (Izklop), zaprite dovajanje plina in počakajte 5 minut. Na ta način lahko se nakopičeni plin sprosti.
- 7 Ponovno poskusite prižgati gorilnik. Če se še vedno ne prižge, glejte "14 Odpravljanje težav", da ugotovite vzrok težave.

9.3 Prižiganje stranskega gorilnika

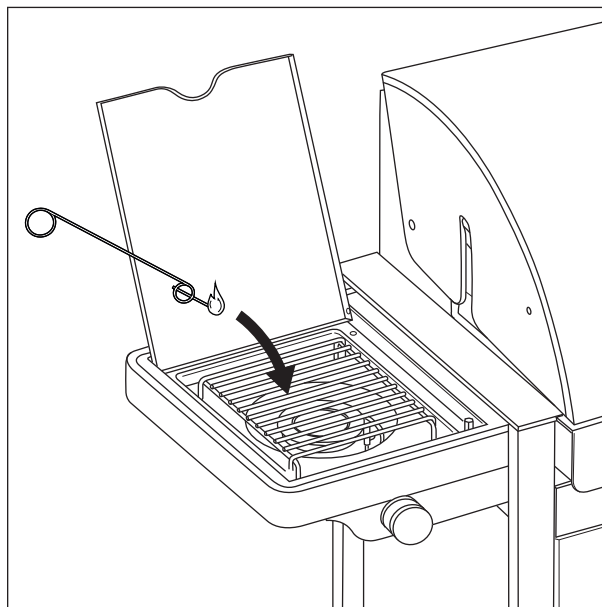
! Na stranski gorilnik lahko položite samo posodo z največjo skupno težo 9 kg in največjim premerom 220 mm.

9.3.1 UPORABA VŽIGALNIKA

- 1 Odprite pokrov in upravljalni gumb stranskega gorilnika nastavite na OFF (Izklop).
- 2 Če ni prižgan še noben drug gorilnik, odprite dovajanje plina in počakajte deset sekund. Na ta način se plin stabilizira.
- 3 Pritisnite na upravljalni gumb stranskega gorilnika, nastavite ga na HIGH (Visoko) in ga za trenutek pridržite. Vgrajeni vžigalnik bo povzročil iskre, ki bodo prižgale stranski gorilnik.
- 4 Če se gorilnik po treh poskusih ne prižge, njegov upravljalni gumb nastavite na OFF (Izklop), zaprite dovajanje plina in počakajte 5 minut. Na ta način lahko se nakopičeni plin sprosti.
- 5 Ponovno poskusite prižgati stranski gorilnik. Če se še vedno ne prižge, ga poskusite prižgati z vžigalico ali glejte "14 Odpravljanje težav", da ugotovite vzrok težave.

9.3.2 UPORABA VŽIGALICE

- 1 Vžigalico dajte v nosilec za vžigalico.
- 2 Odprite pokrov in upravljalni gumb stranskega gorilnika nastavite na OFF (Izklop).
- 3 Če ni prižgan še noben drug gorilnik, odprite dovajanje plina in počakajte deset sekund. Na ta način se plin stabilizira.
- 4 Prižgite vžigalico in jo držite približno 13 mm proč od stranskega gorilnika.



- 5 Upravljalni gumb stranskega gorilnika nastavite na HIGH (Visoko).
- 6 Če se stranski gorilnik v 5 sekundah ne prižge, njegov upravljalni gumb nastavite na OFF (Izklop), zaprite dovajanje plina in počakajte 5 minut. Na ta način lahko se nakopičeni plin sprosti.
- 7 Ponovno poskusite prižgati stranski gorilnik. Če se še vedno ne prižge, glejte "14 Odpravljanje težav", da ugotovite vzrok težave.

9.4 Ugašanje gorilnikov

Če gorilnikov več ne boste uporabljali, jih morate ugasniti. Storite naslednje:

- 1 Ustavite dovajanje plina.
- 2 Upravljalne gumbе gorilnikov nastavite na OFF (Izklop).



S tem ko najprej zaprete dovajanje plina, boste poskrbeli, da plina ne bo v napravi.

9.5 Ponovno prižiganje gorilnikov

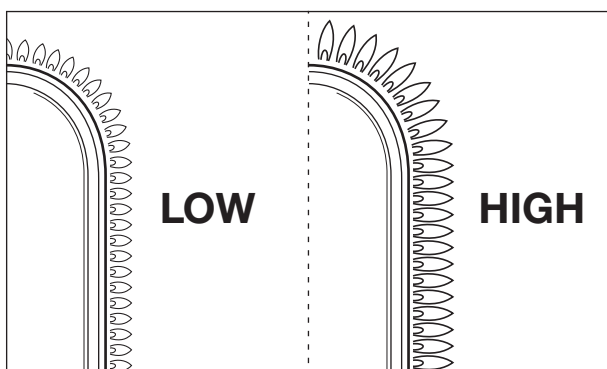
Če gorilnik med uporabo ugasne, storite naslednje:

- 1 Odprite pokrov in zaprite dovajanje plina.
- 2 Upravljalne gumbе nastavite na OFF (Izklop) in počakajte 5 minut. Na ta način lahko se nakopičeni plin sprosti.
- 3 Ponovno prižgite gorilnik(-e).

9.6 Preverjanje plamena

Vsakič ko prižgete gorilnik, je treba preveriti plamen. Idealen plamen gori skoraj popolnoma modro, le konica je nekoliko rumene barve. Občasno rumeni plamen je običajen in neškodljiv. Če je s plamenom kaj narobe, storite eno od naslednjega, da odpravite težavo:

Če je plamen ...	Storite naslednje ...
Slab in popolnoma rumen	<ol style="list-style-type: none"> 1 Takoj zaustavite dovajanje plina in vse upravljalne gumb(e) nastavite na OFF (Izklop). 2 Glejte "14 Odpravljanje težav", da ugotovite vzrok težave. Najverjetneje so zamašene venturijeve cevi.
Sega čez rob kurišča	<ol style="list-style-type: none"> 1 Takoj zaustavite dovajanje plina in vse upravljalne gumb(e) nastavite na OFF (Izklop). 2 Počakajte 5 minut, da se nakopičeni plin sprosti. 3 Ponovno prižgite gorilnik(-e). 4 Če težave niste odpravili, glejte "14 Odpravljanje težav", da ugotovite vzrok težave.



10 KORISTNI NASVETI IN NAMIGI

10.1 Predhodno segrevanje naprave

S predhodnim segrevanjem naprave boste poskrbeli, da bo rešetka dovolj vroča, ko boste nanjo začeli polagati hrano. Storite naslednje:

- 1 Prižgite gorilnik(-e) in upravljalni(-e) gumb(-e) nastavite na HIGH (Visoko).
- 2 Zaprite pokrov in pustite napravo tako delovati deset minut.
- 3 Po desetih minutah odprite pokrov in položite hrano na rešetko.
- 4 Če zdaj potrebujete manj toplote, upravljalni(-e) gumb(-e) nastavite na nižji položaj.

10.2 Preprečevanje sprijemanja hrane

Da se hrana ne bi sprijela na rešetko:

- Preden hrano položite na rešetko, jo s čopičem rahlo premažite z oljem. Z oljem lahko namažete tudi rešetko.
- Napravo predhodno segrejte. Čim bolj topla bo rešetka, ko položite hrano na njo, manj se bo hrana sprijela na rešetko.
- Hrane ne obračajte prehitro. Počakajte, da se segreje.

10.3 Neposredno in posredno pečenje

Pečete lahko neposredno ali posredno, odvisno od tega, katero vrsto hrane pripravljate in kako jo želite pripraviti:

Metoda	Opis	Uporaba
Neposredno	Hrano postavite neposredno nad prižgani gorilnik, gorilnik nastavite na visok položaj in pustite pokrov odprt.	Za popečenje mesa in zelenjave
Posredno	Hrano postavite ob prižgani gorilnik, gorilnik nastavite na srednji/nizek položaj in zaprite pokrov.	Za nadaljnje pečenje popečenega mesa



Ko pečete ob zaprtem pokrovu, bodite pozorni na termometer na pokrovu in tako poskrbite, da se naprava ne bo preveč segrela. Glejte "10.5 Spremljanje temperature".

10.4 Pečenje z zaprtim pokrovom

Pečenje z zaprtim pokrovom ima nekatere pomembne prednosti:

- Temperatura rešetke je višja in ostane enakomernjša.
- Zmanjšate čas pečenja hrane, hrana pa ostane sočnejša.
- Zmanjšate število vzplamtitev ognja in privarčujete plin.



Ko pečete ob zaprtem pokrovu, bodite pozorni na termometer na pokrovu in tako poskrbite, da se naprava ne bo preveč segrela. Glejte "10.5 Spremljanje temperature".

10.5 Spremljanje temperature

Vaša naprava je opremljena z zmogljivimi gorilniki, zato se hitro segreje, temperaturo pa lahko ohranjate enakomerno. Toda ko pečete pod zaprtim pokrovom, morate poskrbeti, da se naprava ne bo preveč segrela. Bodite pozorni na termometer na pokrovu in upoštevajte naslednje napotke:

- Normalna temperatura pečenja je približno 210 °C. Pri višjih temperaturah se kapljajoča in nakopičena maščoba lahko vname.
- Temperatura ne sme nikoli za več kot pet minut presežati 300 °C. Na ta način lahko namreč napravo poškodujete in deformirate.



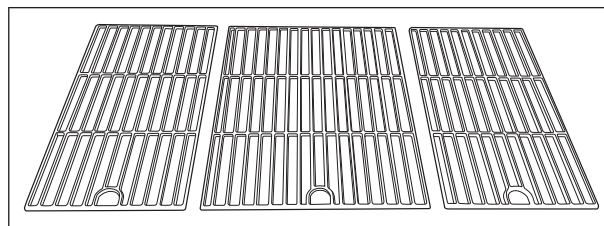
Če se naprava preveč segreje, jo ohladite, tako da odprete pokrov, gorilnike pa nastavite na nižji položaj.

10.6 Optimalno izkoriščanje toplote

Sredinski del kurišča je bolj vroč kot ob straneh. Da bi v celoti izkoristili najbolj vroči del, je naprava opremljena z rešetkami različnih velikosti. Na voljo so:

- Ena velika rešetka, ki jo namestite na sredino kurišča.
- Dve manjši rešetki, ki ju namestite ob straneh kurišča.


Če rešetke pravilno namestite v kurišče in prižgete vse gorilnike, se bo celotna sredinska rešetka segrela do najvišje temperature. Na ta način razširite najbolj vroči del kurišča in lahko optimalno izkoristite površino rešetke na vaši napravi.



10.7 Izkoristite vroča območja

Ko so vsi gorilniki prižgani, pokrovi gorilnikov toploto čim bolj enakomerno porazdelijo čez rešetko. Tudi kljub enakomernemu segrevanju so nekatera območja bolj vroča od drugih. Ta vroča območja lahko izkoristite, da hrano zares dobro spečete:

Območje	Vroče?	Izkoristite za ...
Spredaj	Vroče	Pečenje nežnih kosov hrane (rakci, ribe itd.)
Sredina	Bolj vroče	Priprava hrane, ki se peče dlje časa (npr. klobase, piščančja bedra itd.)
Zadaj	Najbolj vroče	Popečenje mesa in zelenjave

 Vročna območja lahko ustvarite tudi s prilagajanjem moči gorilnikov. Tako lahko, na primer, gorilnik nastavite na nižji položaj in območje nad tem gorilnikom uporabite za pečenje nežnih kosov hrane ali hrane, ki se peče dlje časa.

10.8 Preprečevanje vzplamtive ognja

Med pečenjem na žaru je določena mera vzplamtive ognja običajna. Zaradi premočne vzplamtive ognja pa lahko naraste temperatura v napravi in nakopičena maščoba se lahko vname. Da bi preprečili vzplamtive ognja:


- Ko pričnete z uporabo žara, se prepričajte, da je kurišče čisto. Priporočamo, da pred vsako uporabo v kurišče daste nov Leaf®. Glejte "11.2 Čiščenje kurišča".
- Redno preverjajte, ali je odprtina za izpuščanje maščobe morda zamašena in ali je prestrezna posoda oz. skodelica za maščobo že polna.
- Ko na žaru pečete mastno meso, odvečne mastne kose odrežite, zaprite pokrov, gorilnike pa nastavite na srednji oz. nizek položaj.

11 VZDRŽEVANJE NAPRAVE

11.1 Čiščenje rešetke


Priporočamo, da rešetko po vsaki uporabi očistite s čistilom Barbecue cleaner. Storite naslednje:

- 1 Napršite peno na rešetko in jo pustite nekaj časa delovati. Pena spremeni barvo, ko vpije umazanijo in maščobo.
- 2 Odstranite peno z mehko krpo in vodo ter temeljito sperite rešetko.
- 3 Rešetko dobro posušite in shranite na suhem mestu. S tem preprečite nastajanje rje.

 Rešetko lahko očistite tudi z blagim detergentom ali sodo bikarbono. Za čiščenje rešetke ne uporabljajte čistil za čiščenje kuhinjskih pečic.

11.2 Čiščenje kurišča

Priporočamo, da kurišče očistite po vsaki uporabi. To najlažje storite tako, da pred uporabo žara v kurišče daste nov Leaf®. Leaf® je folija, ki se idealno prilega kurišču in ki prestreza vse ostanke in maščobo. Ko se naprava ohladi, odstranite Leaf® in kurišče bo čisto.

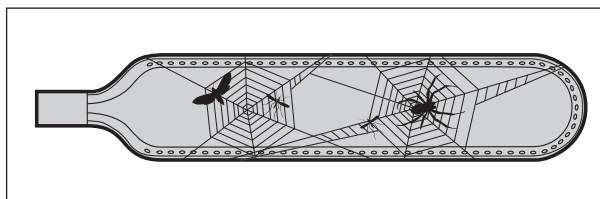
 Registrirajte vašo napravo na spletnem naslovu www.barbecue.com in poiščite pravo vrsto folije Leaf®, ki jo potrebujete.


11.3 Čiščenje gorilnikov in venturijevih cevi

11.3.1 ZAKAJ ČISTITI GORILNIKE IN VENTURIJEVE CEVI?

Pajki in insekti lahko v gorilnikih in venturijevih cevih spleto mreže ter postavijo gnezda. Te lahko blokirajo dovajanje plina do gorilnikov. Posledično:

- Ne boste mogli prižgati gorilnikov. Če vam gorilnike kljub temu uspe prižgati, bodo plameni rumeni z veliko dima.
- Plin lahko prične goreti zunaj venturijevih cevi na upravljalnih gumbih. Tak ogenj se razširi in lahko povzroči resne telesne poškodbe ter materialno škodo.



 Poškodbe, ki nastanejo zaradi blokiranih gorilnikov in venturijevih cevi, se štejejo kot neprimerno vzdrževanje in zanje garancija ne velja.

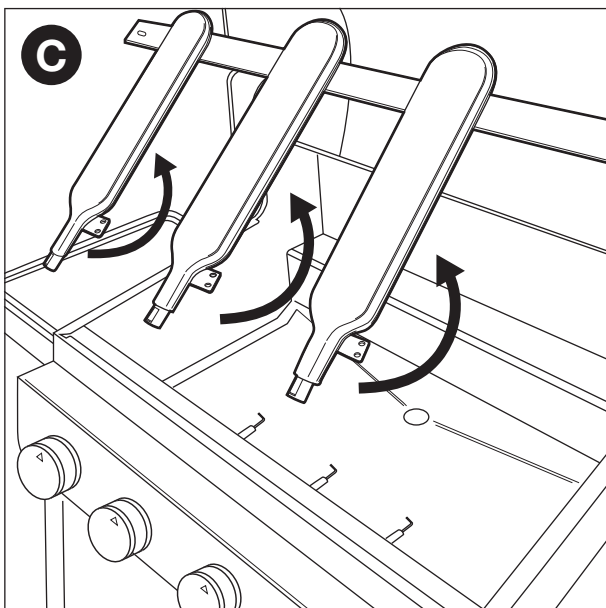
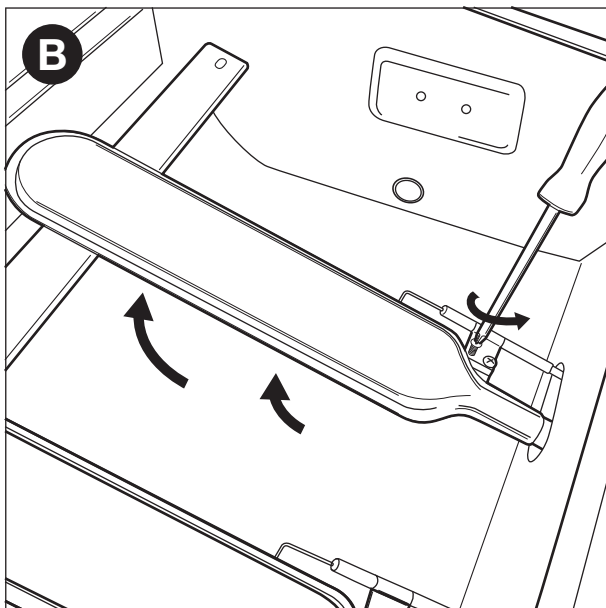
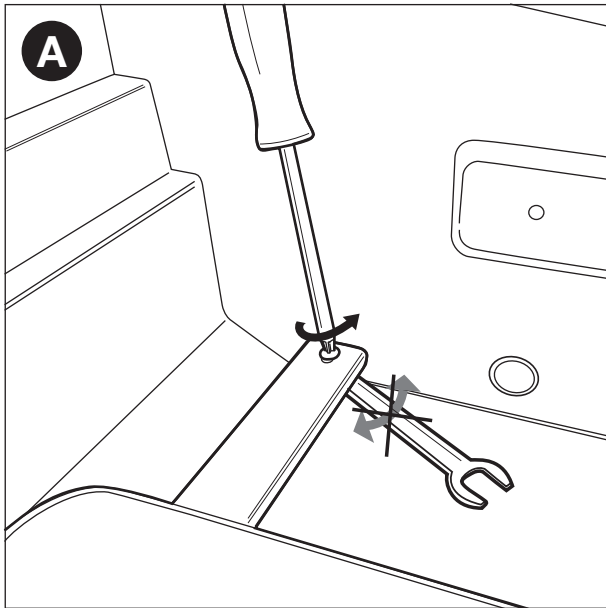
11.3.2 KDAJ OČISTITI GORILNIKE IN VENTURIJEVE CEVI?

Gorilnike in venturijeve cevi vaše naprave morate očistiti:

- Pred prvo uporabo po daljšem obdobju neuporabe.
- Vsaj dvakrat letno, od tega enkrat ob pričetku sezone.

11.3.3 ZA ČIŠČENJE GORILNIKOV IN VENTURIJEVIH CEVI

- 1 Gorilnike odstranite z naprave, kot prikazujeta sliki. Če opazite, da je kateri od gorilnikov poškodovan, ga morate zamenjati.



- Gorilnike in venturijeve cevi očistite z majhno krtačo ali z doma narejenim pripomočkom za čiščenje cevi (raztegnjeno sponko za papir, krtačo za cevi itd.).
- Gorilnike namestite nazaj. Poskrbite, da boste venturijeve cevi namestili čez odprtine na plinskih ventilih.

11.4 Vzdrževanje delov iz emajla, nerjavečega jekla in delov s praškastim premazom

Naprava je sestavljena iz emajliranih delov, delov iz nerjavečega jekla in delov s praškastim premazom. Vsak material potrebuje drugačno vzdrževanje:

Material	Kako vzdrževati ta material
Emajl	<ul style="list-style-type: none"> Ne uporabljajte ostrih predmetov in ne udarjajte ob trde površine. Preprečite stik s hladnimi tekočinami, ko je emajl še vroč. Uporabite lahko kovinske gobice in abrazivne detergente.
Nerjaveče jeklo	<ul style="list-style-type: none"> Ne uporabljajte agresivnih, abrazivnih ali kovinskih sredstev za čiščenje. Uporabljajte blage detergente in jih pustite delovati na jeklu. Uporabite mehko gobico ali krpo. Po čiščenju dobro sperite in posušite, preden shranite.
S praškastim premazom	<ul style="list-style-type: none"> Ne uporabljajte ostrih predmetov. Uporabljajte blage detergente in mehko gobico ali krpo. Po čiščenju dobro sperite in posušite, preden shranite.

⚠ Da bi preprečili nastajanje rje na nerjavečem jeklu, preprečite stik s klorom, soljo in železom. Priporočamo, da naprave ne uporabljate v bližini obale, v bližini železnic ali bazenov.

⚠ Poškodbe, ki nastanejo zaradi neupoštevanja navodil, se štejejo kot neprimerno vzdrževanje in zanje garancija ne velja.

Pod povečanim prikazom naprave (drugi del priročnika) je naveden seznam delov, iz katerih je naprava sestavljena. Ta seznam vsebuje simbole, ki opredeljujejo material vsakega dela in vam bodo pomagali pri izbiranju pravega načina vzdrževanja tega dela. V seznamu delov so uporabljeni naslednji simboli:

Simbol	Material
●	Emajl
■	Nerjaveče jeklo
★	S praškastim premazom

11.5 Shranjevanje naprave

Če naprave ne boste uporabljali dlje časa, jo hranite v suhem prostoru. Preden napravo shranite:

- Odklopite plinsko jeklenko. Naprave nikoli ne hranite v notranjih prostorih (niti v garaži ali uti), dokler je priključena na plinsko jeklenko.
- Gorilnike in rešetke očistite, jih naoljite in nato ovijte v papir.
- Če je naprava opremljena z gorilnikom za raženj, odstranite motorček gorilnika za raženj in ga shranite na suho mesto.

- Napravo pokrijte s pokrivalom Barbecue. Registrirajte vašo napravo na spletnem naslovu www.barbecue.com in najdite pravo pokrivalo za vašo napravo.

11.6 Shranjevanje plinskih jeklenk

Ta navodila velja tako za prazne kot za polne plinske jeklenke.

- Plinske jeklenke vedno hranite na prostem in v dobro prezračevanem območju. Poskrbite, da ne bodo izpostavljene prekomerni vročini ali neposredni sončni svetlobi.
- Plinske jeklenke nikoli ne hranite v območju, ki se lahko zelo segreje (v avtomobilu, na čolnu itd.).
- Plinske jeklenke ali rezervne plinske jeklenke nikoli ne hranite v omarici vaše naprave.
- Rezervne plinske jeklenke nikoli ne hranite v bližini plinske naprave, ki je v uporabi.
- Plinske jeklenke zmeraj hranite izven dosega otrok.
- Plinske jeklenke zmeraj hranite in prevažajte v pokončnem položaju.

11.7 Naročanje nadomestnih delov

Dele, ki so izpostavljeni ognju ali intenzivni toploti, je treba občasno zamenjati. Da bi naročili nadomestni del:

- 1 Najdite referenčno številko dela, ki ga potrebujete. Seznam vseh referenčnih številk najdete pod povečanim prikazom v naslednjem delu tega priročnika in na spletnem naslovu www.barbecue.com.



Če ste vašo napravo registrirali na spletu, boste samodejno vodeni do ustreznega seznama.

- 2 Nadomestni del lahko naročite na vašem prodajnem mestu. Naročite lahko dele v garanciji in dele izven garancije.

12 GARANCIJA

12.1 Vključeno v garancijo

Za vašo napravo velja dvoletna garancija, ki začne teči z dnem nakupa. Ta garancija velja za vse proizvodne napake, če:

- je bila naprava uporabljena in vzdrževana v skladu z navodili iz tega priročnika. Poškodbe, ki nastanejo zaradi zlorabe, nepravilnega sestavljanja ali nepravilnega vzdrževanja, se ne smatrajo kot proizvodne napake.
- Lahko predložite račun in individualno serijsko številko vaše naprave. Ta serijska številka se začne s črko G, ki ji sledi 15 števil. Navedena je:
 - na tem priročniku in na začetnem paketu, katerega del je priročnik,
 - na embalaži naprave,
 - na tipski nalepki na notranji strani vrat omarice (modeli Quisson, Siesta 4 in Siesta 6) ali na notranji strani sprednjega panela (modeli Spring, Siesta 2 in Siesta 3).
- Oddelek za zagotavljanje kakovosti Barbecue potrdi, da so deli poškodovani in so se poškodovali med normalno uporabo, kljub pravilnemu sestavljanju in primernemu vzdrževanju.

Če kateri od prej navedenih pogojev ni izpolnjen, ne morete zahtevati kakršnihkoli povračil. V vseh primerih je garancija omejena na popravilo ali zamenjavo pokvarjenega(-ih) dela(-ov).

12.2 Izvzeto iz garancije

Garancija ne velja za naslednje poškodbe in napake:

- Normalno obrabo (rjavenje, preoblikovanje, razbarvanje itd.) delov, ki so neposredno izpostavljeni ognju ali intenzivni toploti. Običajno je, da je treba te dele občasno zamenjati.
- Vizualne nepravilnosti, ki so običajne za postopek proizvodnje. Te nepravilnosti se ne smatrajo kot proizvodne napake.
- Vse poškodbe, ki nastanejo zaradi nepravilnega vzdrževanja, nepravilnega shranjevanja, nepravilnega sestavljanja ali sprememb vnaprej sestavljenih delov.
- Vse poškodbe, ki nastanejo zaradi zlorabe naprave (uporabe, ki ni v skladu z navodili iz tega priročnika, uporabe za komercialno uporabo itd.).
- Vse posledične poškodbe, ki nastanejo zaradi malomarne ali nepredvidene uporabe naprave.
- Rja ali razbarvanje, ki sta posledica zunanjih vplivov, uporabe agresivnih čistil, izpostavljenosti kloru itd. Te poškodbe se ne smatrajo kot proizvodne napake.

13 TEHNIČNE SPECIFIKACIJE

13.1 Tipska nalepka

Na tipski nalepki so navedene vse tehnične specifikacije vaše naprave. Navedena je:

- V drugem delu tega priročnika.
- Na notranji strani vrat omarice.

13.2 Premeri vbrizgalnika

- Glavni gorilnik: 0,991 mm
- Stranski gorilnik: 0,88 mm

14 ODPRAVLJANJE TEŽAV

Težava	Najverjetnejši vzrok(-i)	Rešitev/rešitve
Ni dovolj toplote	<ul style="list-style-type: none"> Dovajanje plina ni odprto Venturijeve cevi niso nameščene čez odprtine na plinskih ventilih Odprtine na gorilniku zamašene Plinska jeklenka (skoraj) prazna Regulator tlaka ni pravilno priklopljen na jeklenko in/ali cev 	<ul style="list-style-type: none"> Odprite dovajanje plina Venturijeve cevi namestite čez odprtine na plinskih ventilih Očistite odprtine na gorilniku ali zamenjajte gorilnike Zamenjajte plinsko jeklenko Regulator tlaka znova priklopite na plinsko jeklenko in/ali cev
Prekomerna toplota in/ali vzplamtivte ognja	<ul style="list-style-type: none"> Hrana preveč mastna Odprtina za izpuščanje maščobe zamašena, maščoba v kurišču in/ali na gorilnikih Pokrovi gorilnikov niso pravilno nameščeni Temperatura previsoka 	<ul style="list-style-type: none"> Odrežite odvečne mastne kose ali nastavite gorilnike na nižji položaj Očistite odprtino za izpuščanje maščobe, kurišče in gorilnike Pravilno namestite pokrov gorilnika Gorilnike nastavite na nižjo temperaturo in/ali hrano pecite neposredno
Toplota ni enakomerno razporejena čez površino rešetke	<p>Nekatere temperaturne razlike so običajne, glejte "11.6 Optimalno izkoriščanje toplote" in "11.7 Izkoristite vroča območja". Najverjetnejši vzrok(-i) za velike razlike v toploti:</p> <ul style="list-style-type: none"> Pokrovi gorilnikov niso pravilno nameščeni Naprava ni bila predhodno segreta 	<ul style="list-style-type: none"> Pravilno namestite pokrov gorilnika Predhodno segrejte napravo
Rumeni plameni	<ul style="list-style-type: none"> Gorilnik ali venturijeve cevi zamašene Sol na gorilnikih Naprava priklopljena na butan 	<ul style="list-style-type: none"> Očistite gorilnike in venturijeve cevi Očistite gorilnike Napravo priklopite na propan in uporabite ustrezen regulator tlaka
Neenakomeren plamen	Gorilnik zamašen, preluknjan ali zarjavel	Očistite ali zamenjajte gorilnik
Širjenje ognja (plameni zunaj venturijevih cevi/na upravljalnih gumbih)	Gorilnik ali venturijeve cevi zamašene	<ol style="list-style-type: none"> Zaprte dovajanje plina in gorilnike nastavite na OFF (Izklop). Pustite, da se naprava ohladi. Očistite gorilnike in venturijeve cevi.
Plameni segajo čez rob kurišča	<ul style="list-style-type: none"> Veliko vetra Plinska jeklenka (skoraj) prazna Maščoba v kurišču in/ali na gorilnikih 	<ul style="list-style-type: none"> Napravo postavite tako, da bo zadnja stran obrnjena proti vetru Zamenjajte plinsko jeklenko Očistite kurišče in gorilnike ter zamenjajte folijo Leaf®
Regulator tlaka brni	<ul style="list-style-type: none"> Vroče vreme Nova (polna) plinska jeklenka 	Ni nevarno ali okvara. Čez nekaj časa bi morale samo od sebe prenehati.
Gorilnik piska, ko je nastavljen na LOW (Nizko)	Vbrizgalnik plina, venturijeva cev in/ali gorilnik umazani	Očistite vbrizgalnik plina, venturijevo cev in gorilnik
Gorilnika ni mogoče prižgati (bodisi z vžigalnikom bodisi z vžigalico)	<ul style="list-style-type: none"> Gorilnik ali venturijeva cev zamašena Ni dovajanja plina 	<ul style="list-style-type: none"> Očistite gorilnik in venturijevo cev Odprite dovajanje plina in pritisnite varnostni gumb na regulatorju tlaka (nimajo ga vsi regulatorji)
Gorilnika z vžigalnikom ni mogoče prižgati	<ul style="list-style-type: none"> Baterija ni vstavljena ali je vstavljena napačno Ožičenje vžigalnika ni pravilno speljano Poškodovana elektroda Pokvarjeno ozemljilo Pokvarjen vžigalnik 	<ul style="list-style-type: none"> (Ponovno) vstavite baterijo s pravilno usmeritvijo polov Preverite in ponovno sestavite vse priključke vžigalnika Zamenjajte elektrodo Preverite in ponovno sestavite elektrode, gorilnike in vžigalnik Zamenjajte vžigalnik

Težava	Najverjetnejši vzrok(-i)	Rešitev/rešitve
Ob pritisku na vžigalnik ni iskre in zvoka	<ul style="list-style-type: none"> • Baterija ni vstavljena ali je vstavljena napačno • Prazna baterija • Gumb vžigalnika ni pravilno nameščen • Pokvarjen generator isker 	<ul style="list-style-type: none"> • (Ponovno) vstavite baterijo s pravilno usmeritvijo polov • Zamenjajte baterijo • Ponovno namestite gumb vžigalnika • Zamenjajte generator isker
Ob pritisku na vžigalnik je samo zvok (brez isker)	<ul style="list-style-type: none"> • Pokvarjeno ozemljilo • Gorilnik in elektroda preveč narazen 	<ul style="list-style-type: none"> • Ponovno priključite generator isker in elektrode • Elektrodo nekoliko ukrivite, da bo bližje gorilniku
Pojavljajo se iskre, ki pa ne prihajajo iz gorilnikov	Napačno ožičenje	Zamenjajte ožičenje
Pojavljajo se iskre, a ne na vseh elektrodah in/ali niso dovolj močne	<ul style="list-style-type: none"> • Pokvarjeno ozemljilo • Baterija skoraj izpraznjena • Mokre ali zlomljene elektrode 	<ul style="list-style-type: none"> • Ponovno priključite generator isker in elektrode • Zamenjajte baterijo • Elektrode posušite s papirnatimi brisačami ali jih zamenjajte

HR - KORISNIČKI PRIRUČNIK

1	Registrirajte Vaš uređaj	364	10	Korisni savjeti i trikovi	370
2	O ovom priručniku.....	364		• Zagrijavanje uređaja	370
3	Važne sigurnosne napomene	364		• Sprečavanje lijepljenja hrane.....	370
	• Pročitajte i slijedite upute	364		• Izravno i neizravno pečenje	370
	• Budite oprezni s plinom.....	364		• Pečenje sa zatvorenim poklopcem	370
	• Odaberite odgovarajuću lokaciju.....	364		• Praćenje temperature	371
	• Upotrijebite zdrav razum	364		• Optimalno iskorištavanje topline	371
4	Često korišteni pojmovi.....	364		• Iskorištavanje toplinskih zona	371
	• Redukcijske cijevi.....	364		• Izbjegavanje iznenadnih plamsaja.....	371
	• Zaštitni poklopci na plamenicima.....	365	11	Održavanje uređaja	371
	• Emajl.....	365		• Čišćenje rešetke.....	371
	• Iznenadni plamsaji.....	365		• Čišćenje zdjele	371
5	Sklapanje uređaja.....	365		• Čišćenje plamenika i redukcijskih cijevi	372
	• Sigurnosne upute	365		• Održavanje dijelova od emajla, nehrđajućeg čelika i elektrostatske boje u prahu.....	372
	• Kako biste sklopili uređaj.....	365		• Pospremanje uređaja	373
6	Priključivanje plina na uređaj.....	365		• Pohrana spremnika s plinom.....	373
	• Koji spremnik za plin, crijevo i regulator?	365		• Naručivanje rezervnih dijelova.....	373
	• Sigurnosne upute	366	12	Jamstvo	373
	• Priključivanje crijeva na uređaj	366		• Obuhvaćeno.....	373
	• Priključivanje crijeva i spremnika na regulator.....	366		• Nije obuhvaćeno	373
	• Zamjena spremnika	367	13	Tehnički opis.....	374
7	Provjera curenja plina.....	367		• Označna naljepnica	374
	• Zašto trebate provjeravati curenje plina?	367		• Promjeri ubrizgača	374
	• Kada trebate provjeravati curenje plina?	367	14	Rješavanje problema	375
	• Sigurnosne upute	367			
	• Koje materijale trebam?.....	367			
	• Kako biste provjerili curenje plina.....	367			
	• U slučaju curenja plina	368			
8	Pripremanje uređaja za upotrebu.....	368			
	• Prije svake uporabe	368			
	• Prije prve uporabe (nakon dužeg vremena).....	368			
	• Prvo zagrijavanje uređaja	368			
9	Paljenje plamenika	368			
	• Sigurnosne upute	368			
	• Paljenje glavnih plamenika	368			
	• Paljenje bočnog plamenika	369			
	• Isključivanje plamenika.....	370			
	• Ponovno paljenje plamenika.....	370			
	• Provjera plamena.....	370			

1 REGISTRIRAJTE VAŠ UREĐAJ

Hvala Vam na kupnji uređaja Barbecook! Sigurni smo da ćete provesti brojne vesele trenutke uz roštilj.

Kako biste Vaše iskustvo učinili što boljim, registrirajte Vaš uređaj na www.barbecook.com. Potrebno je samo nekoliko minuta, a donosi Vam velike prednosti:

- Dobivate pristup našoj personaliziranoj usluzi održavanja. Omogućen Vam je, na primjer, brz pronalazak rezervnih dijelova za Vaš uređaj ili uživanje u dobrobitima optimalne usluge jamstva.
- Možemo Vas obavijestiti o zanimljivim novostima vezanima uz proizvod i uputiti Vas na informacije i specifikacije proizvoda koje su značajne za Vaš uređaj.



Za više informacija o registriranju Vašeg uređaja posjetite www.barbecook.com.



Barbecook poštuje Vašu privatnost. Vaši podaci neće biti prodani, distribuirani ili podijeljeni s trećim stranama.

2 O OVOM PRIRUČNIKU

Ovaj priručnik se sastoji od dva dijela:

- Prvi dio je onaj koji upravo čitate. Uključuje upute za sklapanje, uporabu i održavanje vašeg uređaja.
- Drugi dio počinje na stranici 379. Uključuje različite vrste ilustracija (prikaze rastavljenog sklopa, nacрте za sklapanje uređaja...) za uređaje opisane u ovom priručniku.

3 VAŽNE SIGURNOSNE NAPOMENE

3.1 Pročitajte i slijedite upute

Pročitajte upute prije korištenja uređaja. Uvijek pažljivo slijedite upute. Sklapanje ili uporaba uređaja na način drugačiji od navedenog može izazvati požar i materijalnu štetu.



Oštećenja nastala zbog nepridržavanja uputa (nepravilno sklapanje, pogrešna uporaba, neodgovarajući način održavanja...) nisu pokrivena jamstvom.

3.2 Budite oprezni s plinom

Rad s plinom je u potpunosti siguran, no zahtijeva dodatni oprez:

- Uvijek pohranite spremnike s plinom vani, u dobro prozračenom prostoru. Ne smiju biti izloženi pretjeranoj toplini niti direktnoj sunčevoj svjetlosti.
- Nikad ne spremajte Vaš spremnik s plinom ili rezervni spremnik s plinom u ormarić Vašeg uređaja.
- Dok je u upotrebi, postavite spremnik s plinom na kolica za spremnik sa strane uređaja.
- Nikad ne spremajte rezervni spremnik s plinom u blizinu uređaja koji je u uporabi.
- Uvijek zatvorite dovod plina na spremniku s plinom nakon upotrebe.
- Nikada nemojte pušiti u blizini plinskog uređaja ili spremnika s plinom (punog/praznog).



Ako namirišete plin odmah zatvorite dovod plina, ugasisite sve plamenove i otvorite poklopac uređaja. Ako se miris zadržava pozovite, Vašeg dobavljača plina ili vatrogasnu službu.

3.3 Odaberite odgovarajuću lokaciju

Koristite uređaj isključivo na otvorenom. Korištenje uređaja u zatvorenom prostoru, čak i u garaži ili spremištu, može izazvati trovanje ugljičnim monoksidom.

Prilikom odabira lokacije na otvorenom uvijek:

- Postavljajte uređaj na najmanje tri metra udaljenosti od bilo koje zgrade, na otvorenom i dobro prozračenom prostoru.
- Pazite da je u svakom trenutku slobodan protok zraka na plamenicima i ventilacijskim otvorima na kućištu.
- Pazite da uređaj nije ispod nadstrešnice (trijema, zaklona...) ili pod krošnjom.
- Postavite uređaj na čvrstu i stabilnu površinu. Nikada ga ne postavljajte na vozilo u pokretu (brod, prikolicu...).

3.4 Upotrijebite zdrav razum

Prilikom upotrebe uređaja uvijek koristite zdrav razum:

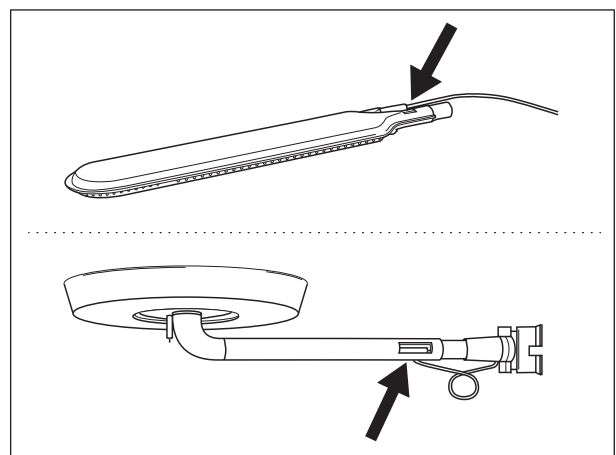
- Koristite isključivo na otvorenom.
- Nemojte pomicati uređaj dok je u uporabi.
- Ne ostavljajte uređaj bez nadzora dok je u uporabi, posebno ako su prisutna djeca ili životinje.
- **UPOZORENJE!** Neki dostupni dijelovi mogu postati jako vrući. Malu djecu držite podalje.
- Upotrijebite odgovarajuću zaštitu prilikom rukovanja vrućim dijelovima (poklopac, rešetka...).
- Uređaj mora biti podalje od zapaljivih materijala dok je u uporabi.
- Držite zapaljive materijale, tekućine za potpalu i topive predmete podalje od uređaja koji je u uporabi.
- Nemojte koristiti drvo, ugljen, vulkanske stijene ili keramičke brikete za plinski uređaj.
- Nemojte koristiti uređaj ako ste konzumirali alkohol ili uzimali droge.
- Nemojte izmjenjivati uređaj.

4 ČESTO KORIŠTENI POJMOVI

U ovom dijelu pronaći ćete objašnjenja nekih manje poznatih pojmova. Ovi pojmovi javljaju se u mnogim poglavljima ovog priručnika.

4.1 Redukcijske cijevi


Redukcijske cijevi su male cijevi spojene na ulaz u plamenike. Na strani redukcijskih cijevi postoji otvor. On je vidljiv na glavnim plamenicima i na bočnom plameniku.

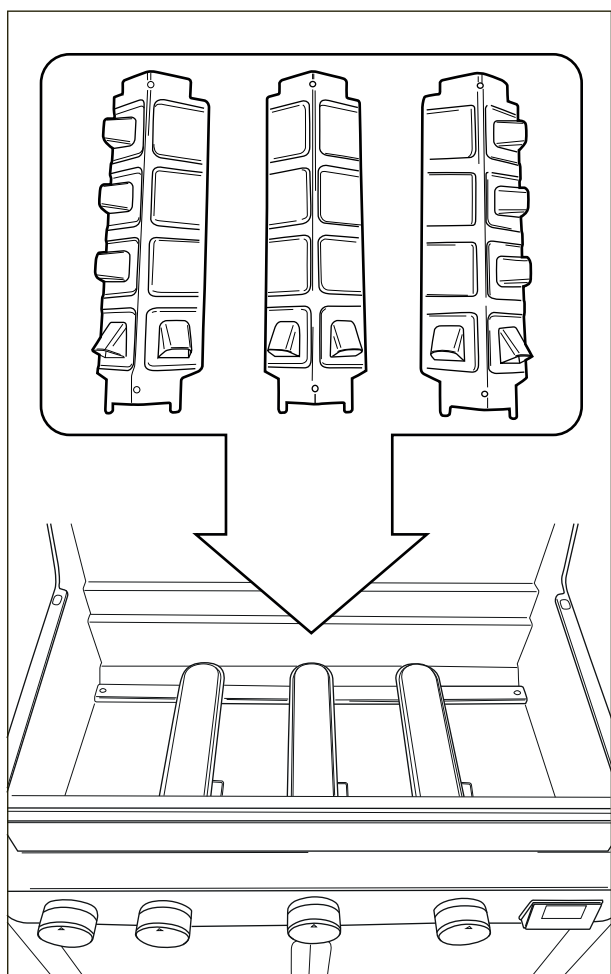


Plin prilikom dolaska na plamenike prolazi kroz redukcijske cijevi. Zahvaljujući otvorima sa strane plin se miješa sa zrakom i - kao rezultat toga - s kisikom. Ovo je neophodno za kvalitetu gorenja u plamenicima: samo točna mješavina plina i kisika može pravilno gorjeti i davati dobar plamen.

4.2 Zaštitni poklopci na plamenicima


Zaštitni poklopci na plamenicima su poklopci koji se postavljaju iznad plamenika na Vašem uređaju. Oni štite plamenike od masnoće koja kaplje i imaju značajnu ulogu za Turbo Heating System. Natkriveni otvori na stranama poklopca raspoređuju toplinu na rešetku, tako da se rešetka zagrijava mnogo brže i ravnomjernije.

 Prilikom sklapanja Vašeg uređaja obratite pozornost na zaštitne poklopce na plamenicima. Turbo Heating System može pravilno raditi samo ako su svi poklopci ispravno postavljeni na odgovarajuće plamenike.



4.3 Emajl

Neki dijelovi uređaja prekriveni su slojem rastopljenog stakla zvanim emajl. Ovaj emajl štiti metal od korozije. Emajl je materijal visoke kvalitete: otporan je na hrđu, ne blijedi pod utjecajem visokih temperatura i vrlo je jednostavan za održavanje.

 S obzirom da je emajl manje fleksibilan od metala koji pokriva dijelovi emajla mogu se odlomiti ako uređaj ne koristite pravilno. Kako biste izbjegli probleme budite oprezni prilikom sklapanja emajliranih dijelova i uvijek održavajte emajl na način opisan u ovom priručniku.

4.4 Iznenadni plamsaji

Iznenadni plamsaji su neočekivani plamećci koji iskaču iz zdjele prilikom roštiljanja. Najčešće ih uzrokuje kapanje masnoće ili marinade.

5 SKLAPANJE UREĐAJA


5.1 Sigurnosne upute


- Nemojte raditi izmjene na uređaju tijekom montaže. Jako je opasno i nije dopušteno mijenjati dijelove koji su prethodno spojeni ili zatvoreni od strane proizvođača.
- Uvijek pažljivo slijediti upute za sastavljanje.
- Korisnik je odgovoran za točno sastavljanje uređaja. Oštećenja nastala nepravilnim sastavljanjem nisu pokrivena jamstvom.

5.2 Kako biste sklopili uređaj

Potreban Vam je križni odvijač, ravni odvijač i AA baterija (električni upaljač). Ako Vaš uređaj dolazi s mlaznim plamenikom, potrebne su Vam i dvije D baterije (pogon mlaznog plamenika). Baterije nisu isporučene uz uređaj.

- 1 Postavite uređaj na ravnu i čistu površinu.
- 2 Sklopite uređaj kao što je prikazano na skicama za sklapanje. Skice za sklapanje ćete pronaći u drugom dijelu ovog priručnika, nakon prikaza rastavljenog sklopa Vašeg uređaja.

 Budite oprezni prilikom sklapanja emajliranih dijelova. Alat i vijci mogu oštetiti emajl. Upotrijebite dobiveni brtveni prsten od tkanine kako biste zaštitili emajl oko vijaka.

 Blister pakiranja mogu sadržavati više vijaka nego što je potrebno. Može Vam preostati vijaka nakon sklapanja.


6 PRIKLJUČIVANJE PLINA NA UREĐAJ


6.1 Koji spremnik za plin, crijevo i regulator?

Prije nego što spojite plin na uređaj morate kupiti spremnik s plinom, crijevo i regulator pritiska. Uvijek kupujte materijale koji su u skladu sa svim nacionalnim standardima i s vrstom plina i nominalnim pritiskom navedenim na uređaju.

U sljedećoj tablici navedeno je koji spremnik, crijevo i regulator trebate upotrebljavati. U Belgiji (BE), na primjer, trebate koristiti propanski spremnik s crijevom i regulatorom za 37 mbara ili butanski spremnik s crijevom i regulatorom za 28 - 30 mbara.

Zemlja	Spremnik, crijevo i regulator
DK, GR, NO, SE, EE, LT, LV, CZ, PL, MT, HU, SI, SK	Propan, 30 mbar / Butan, 30 mbar
ES, GB, IE, PT, BE, FR, LU, IT	Propan, 37 mbar / Butan, 28 - 30 mbar
NL	Propan, 30 ili 50 mbar / Butan, 30 mbar
CY	Propan, 30 ili 37 mbar / Butan, 28 - 30 mbar

 Preporučamo spajanje uređaja na propan. Propan omogućava kvalitetnije izgaranje i manje je osjetljiv na smrzavanje.

 Kupite zajedno regulator pritiska i spremnik s plinom. Ne odgovaraju svi regulatori svim spremnicima.


6.2 Sigurnosne upute

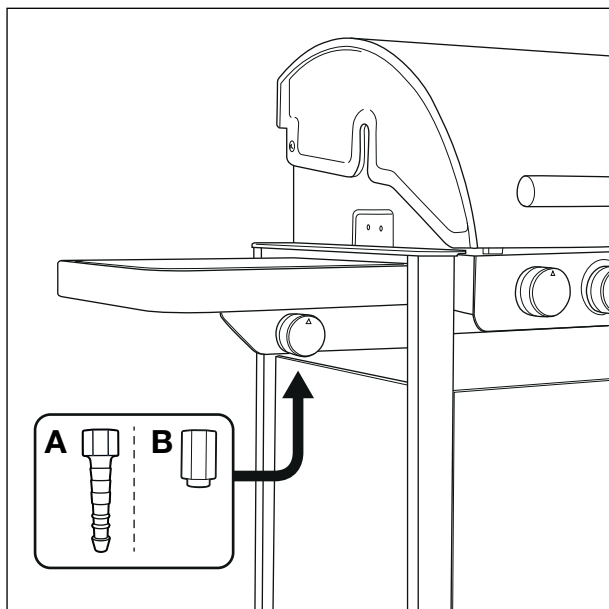
- Nikad ne priključujte spremnik izravno na uređaj. Uvijek prvo postavite regulator pritiska na spremnik.
- Nikad ne izmjenjujte prethodno spojene ili zatvorene dijelove spremnika, crijeva ili regulatora pritiska.
- Crijevo treba biti što kraće (maksimalno 500 - 650 mm) kako se ne bi vuklo po tlu.
- Dok priključujete spremnik, crijevo i regulator pritiska:
 - Nikad nemojte iskrivljivati crijevo.
 - Uvijek držite spremnik u uspravnom položaju.
 - Nikad ne otvarajte dovod plina.
- Provjerite postoji li curenje svaki put kad bilo što mijenjate u spajanju plina. Pogledajte "7 Provjera curenja plina".

6.3 Priključivanje crijeva na uređaj

Kako biste priključili crijevo za dovod plina na uređaj, morate postaviti spojku na plinsku cijev na uređaju. Uređaj je isporučen s dvije spojke, namijenjene za određene zemlje:

Zemlja	Spojka
BE, CH, CZ, DK, ES, FI, GB, IE, IT, PT, SI	Spojka A
FR	Spojka B

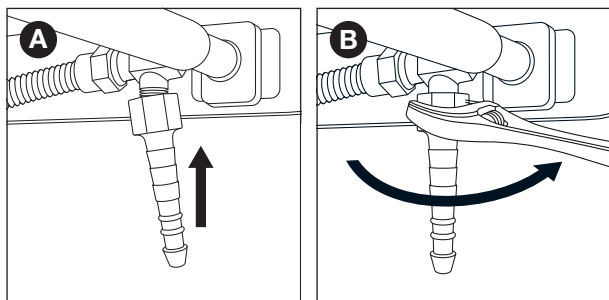
 Ako Vaša zemlja nije navedena u tablici, upotrijebite spojku koja je u skladu s Vašim državnim standardima.



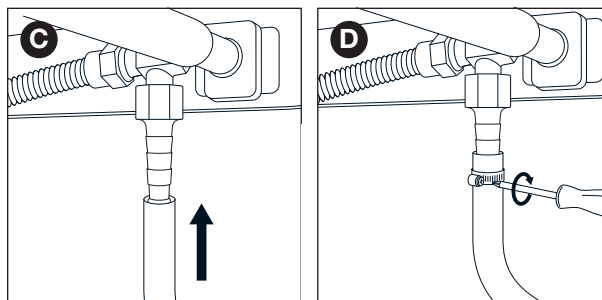
6.3.1 SPOJKA A

Potreban Vam je ključ od 19 mm i križni odvijač.

- 1 Pričvrstite spojku na plinsku cijev uređaja (A) i pritegnite je s pomoću ključa od 19 mm (B).



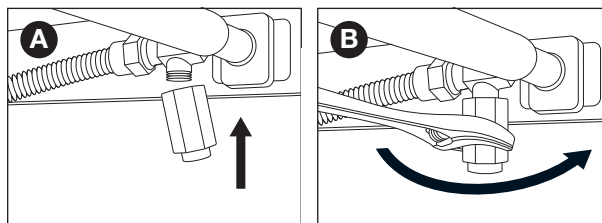
- 2 Natakните crijevo na spojku (C) i pritegnite stezni prsten pomoću križnog odvijača (D).



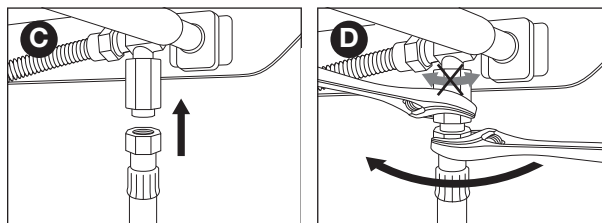
6.3.2 SPOJKA B

Potreban Vam je ključ od 22 mm i podesivi ključ.

- 1 Pričvrstite spojku na plinsku cijev uređaja (A) i pritegnite je s pomoću ključa od 22 mm (B).



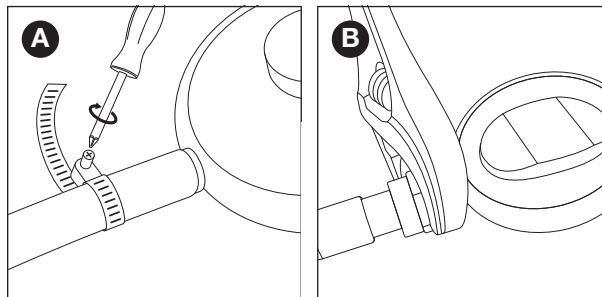
- 2 Pričvrstite crijevo za dovod plina na spojku (C) i pritegnite ga s pomoću dva ključa. Držite spojku s pomoću ključa od 22 mm i okrećite crijevo s pomoću podesivog ključa (D).



6.4 Priključivanje crijeva i spremnika na regulator

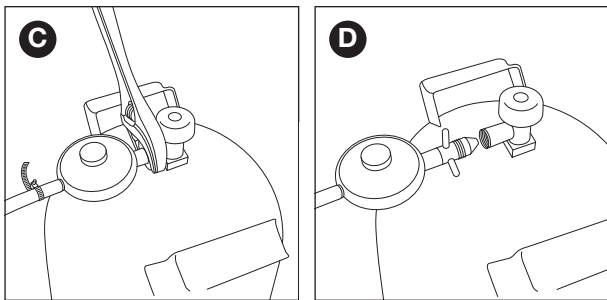
Ovisno o vrsti regulatora pritiska koji koristite trebat će Vam križni odvijač i/ili podesivi ključ.

- 1 Spojite crijeva na regulator pritiska. Učinite jedno od navedenog:
 - Ako crijevo ima stezni prsten, natakните crijevo na regulator i pritegnite stezni prsten pomoću križnog odvijača (A).
 - Ako crijevo ima navrtanj, pričvrstite crijevo na regulator i pritegnite navrtanj pomoću podesivog ključa (B).



- 2 Priključite regulator pritiska na spremnik s plinom. Učinite jedno od navedenog:
 - Ako regulator ima navrtanj, pričvrstite regulator na spremnik okrećući ga u smjeru kazaljke na satu i pritegnite navrtanj s pomoću podesivog ključa (C).

- Ako regulator ima vijčani navoj, pričvrstite regulator na spremnik u smjeru obrnutom od smjera kazaljke na satu (D).



6.5 Zamjena spremnika

- 1 Zatvorite dovod plina i postavite sve kontrolne čvorove na OFF.
- 2 Odspojite prazni spremnik i priključite puni spremnik.
- 3 Provjerite spremnik, crijeva i sve plinske spojeve zbog curenja. Pogledajte "7 Provjera curenja plina".

7 PROVJERA CURENJA PLINA

7.1 Zašto trebate provjeravati curenje plina?

Propan i butan su teži od zraka. Kao rezultat toga oni se ne rasprše nakon što izađu iz uređaja. Posebice na dane bez vjetrova nakon curenja plin se može nakupiti unutar i oko uređaja. Tako nakupljen plin zatim se može zapaliti ili eksplodirati.

7.2 Kada trebate provjeravati curenje plina?

- Prije prve uporabe ili prije prve uporabe nakon dugog razdoblja nekorištenja.
- ⚠ Provjerite postoji li curenje plina ako je uređaj sastavljen od strane dobavljača.
- Svaki put nakon mijenjanja bilo kojeg sastavnog dijela.
- Najmanje jednom godišnje, po mogućnosti na početku sezone.

7.3 Sigurnosne upute

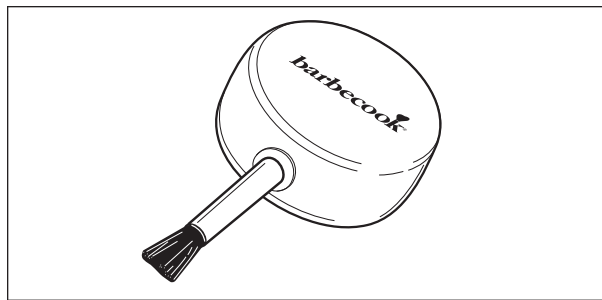
- Postavite uređaj na otvorenom, u dobro prozračenom prostoru. U blizini uređaja ne smije biti plamenova ili izvora topline.
- Nikad ne koristite upaljač ili šibicu kako biste provjerili curenje plina.
- Nemojte pušiti niti paliti plamenike dok provjeravate postoji li curenje plina.

7.4 Koje materijale trebam?

Kako biste provjerili curenje plina potrebna Vam je:

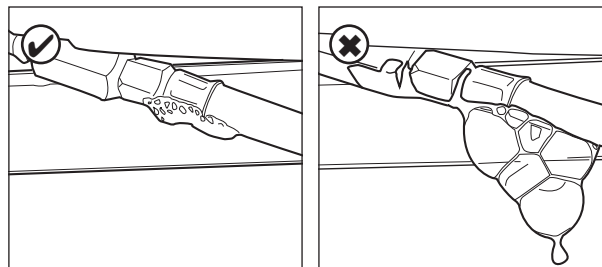
- Tekućina za testiranje. Možete koristiti već pripremljeni sprej za provjeru curenja ili mješavinu vode (50 %) i deterdženta za pranje posuđa (50 %).

- Alat za provjeru curenja koji ste dobili uz Vaš uređaj. Koristite ga kako biste usisali tekućinu za provjeru i nanijeli je na plinski element ili spoj koji želite provjeriti.



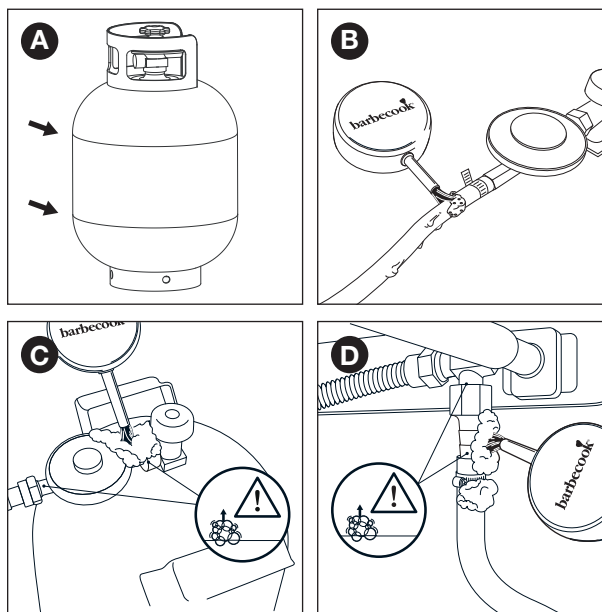
7.5 Kako biste provjerili curenje plina

Provjerite postoji li curenje plina nanošenjem tekućine za testiranje na sve plinske komponente i spojeve. Ako mjehurići na određenoj komponenti ili spoju počnu rasti, tu dolazi do curenja plina.



Kako biste provjerili curenje plina postupite na sljedeći način:

- 1 Postavite uređaj vani.
- 2 Uzmite svoj alat za provjeru curenja i tekućinu za testiranje (sprej za curenje ili mješavinu vode i sapuna).
- 3 Otvorite poklopac i postavite sve kontrolne čvorove na OFF.
- 4 Malo otvorite dovod plina. Samo jednom okrenite ventil na spremniku s plinom.
- 5 Usisajte malo tekućine za provjeru pomoću alata za provjeru curenja i nanosite je na područje koje želite provjeriti. Morate provjeriti:
 - Zavarene dijelove spremnika s plinom (A)
 - Crijevo (B)
 - Spojeve između spremnika i regulatora pritiska i između regulatora pritiska i crijeva (C)
 - Spoj između crijeva i uređaja (D)



i Vaš regulator pritiska i spojka mogu biti drugačiji od onih prikazanih na slikama.

- 6 Učinite jedno od navedenog:
- Ako otkrijete curenje, nastavite kako je opisano u "U slučaju curenja plina".
 - Ako nema curenja, zatvorite dovod plina, temeljito isperite sve komponente vodom i dobro ih posušite.

7.6 U slučaju curenja plina

- 1 Zatvorite dovod plina i učinite jedno od navedenog:
 - Ako otkrijete curenje na jednom od spojeva, pritegnite taj spoj.
 - Ako otkrijete curenje na spremniku ili crijevu, zamijenite spremnik ili crijevo.
- 2 Ponovno provjerite spoj ili dio na kojem ste otkrili curenje.
- 3 Ako curenje nije popravljeno, obratite se Barbecue dobavljaču. Nemojte koristiti uređaj dok se curenje ne popravi.

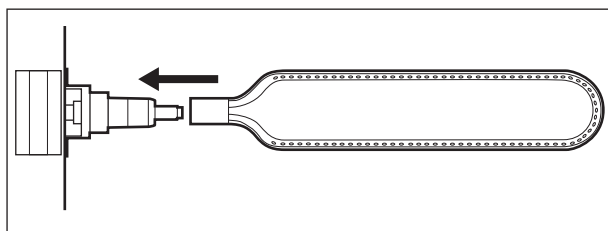
💡 Za popis obližnjih Barbecue dobavljača pogledajte www.barbecue.com.

8 PRIPREMANJE UREĐAJA ZA UPOTREBU

8.1 Prije svake uporabe

Svaki put kada koristite uređaj provjerite sljedeće:

- Uređaj se nalazi na odgovarajućem mjestu. Pogledajte "3.3 Odaberite odgovarajuću lokaciju".
- Crijevo za dovod plina ne vuče se po tlu i ne može doći u kontakt s vrućom površinom ili masnoćom koja kaplje.
- Zdjela je čista. Preporučamo da postavite novi Leaf® u zdjelu prije svake uporabe. Pogledajte "11.2 Čišćenje zdjele".
- Plamenici i redukcijske cijevi nisu blokirani gnijezdima insekata ili paukovim mrežama. Pogledajte "11.3 Čišćenje plamenika i redukcijskih cijevi".
- Uređaj je ispravno sastavljen. Obratite posebnu pozornost na:
 - Zaštitne poklopce na plamenicima. Svaki poklopac treba biti postavljen iznad odgovarajućeg plamenika. Pogledajte "4.2 Zaštitni poklopci na plamenicima".
 - Redukcijske cijevi plamenika. Trebaju biti postavljene iznad otvora plinskih ventila.



💡 Ako želite biti potpuno sigurni da je Vaša plinska instalacija u redu, možete provjeriti postoji li curenje plina na Vašem uređaju prije svake uporabe. Pogledajte "7 Provjera curenja plina".

8.2 Prije prve uporabe (nakon dužeg vremena)

Ako uređaj koristite po prvi put ili ga niste koristili duže vrijeme, potrebno je izvršiti određene dodatne provjere:

- Provjerite jeste li pročitali, razumjeli i prekontrolirali sve upute u ovom priručniku (samo prije prve uporabe).
- Provjerite postoji li curenje plina na uređaju. Pogledajte "7 Provjera curenja plina".



Provjerite postoji li curenje plina ako je uređaj sastavljen od strane dobavljača.

- Očistite plamenike i redukcijske cijevi (samo prije prve uporabe nakon dugo vremena). Pogledajte "11.3 Čišćenje plamenika i redukcijskih cijevi".
- Zagrijte uređaj prije nego što prvi put stavite hranu na njega (samo prije prve uporabe). Pogledajte "8.3 Prvo zagrijavanje uređaja".

8.3 Prvo zagrijavanje uređaja

Zagrijavanjem uređaja prije prvog korištenja s uređaja se uklanjaju masnoće preostale od proizvodnje. Postupak je sljedeći:

- 1 Upalite glavne plamenike i postavite kontrolne čvorove na HIGH. Pogledajte "9.2 Paljenje glavnih plamenika".
- 2 Zatvorite poklopac i ostavite uređaj da gori 15 minuta. Još uvijek ne stavljajte hranu na rešetku.
- 3 Nakon 15 minuta otvorite poklopac i pustite da uređaj gori još 5 minuta (kontrolni čvorovi i dalje namješteni na HIGH).
- 4 Nakon 5 minuta uređaj je spreman za uporabu. Sada možete staviti hranu na rešetku.

9 PALJENJE PLAMENIKA



Kako biste upalili plamenike pomoću električnog upaljača potrebno je umetnuti AA bateriju u upaljač. Navedena baterija nije isporučena uz uređaj. Kućište za bateriju upaljača pronaći ćete unutar ormarića Vašeg uređaja.

9.1 Sigurnosne upute

- Prije paljenja uređaja provedite sve provjere navedene u "8 Pripremanje uređaja za upotrebu".
- Poklopac uvijek mora biti otvoren prilikom paljenja plamenika.
- Nikad se ne naginjite nad plamenik dok ga palite.

9.2 Paljenje glavnih plamenika

9.2.1 KORIŠTENJE UPALJAČA

- 1 Otvorite poklopac i postavite kontrolne čvorove glavnih plamenika na OFF.
- 2 Ako nijedan plamenik još nije upaljen, otvorite dovod plina i pričekajte deset sekundi. Na taj način se plin stigne stabilizirati.
- 3 Kontrolni čvor jednog plamenika gurnite prema unutra, postavite ga na HIGH i držite na trenutak. Ugrađeni upaljač će stvoriti iskre koje će upaliti plamenik.

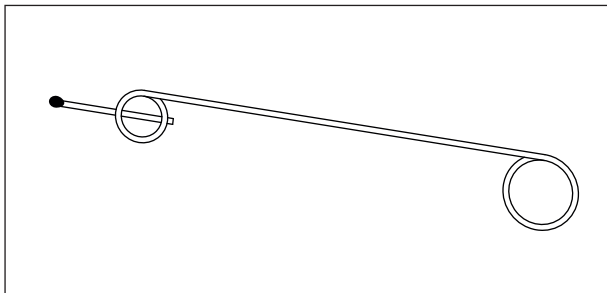


Uvijek za početak upalite jedan glavni plamenik. Nikad nemojte paliti sve glavne plamenike odjednom.

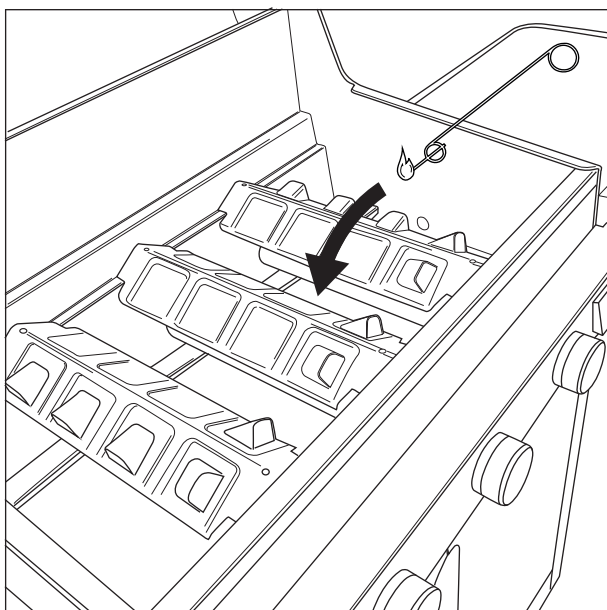
- 4 Ako se plamenik ne upali nakon tri pokušaja, postavite njegov upravljački čvor na OFF, zatvorite dovod plina i pričekajte 5 minuta. Na taj način sav nakupljeni plin stigne izaći.
- 5 Ponovno pokušajte upaliti plamenik. Ako ga još uvijek ne uspijevate upaliti, pokušajte upotrijebiti šibice ili pogledajte "14 Rješavanje problema" kako biste otkrili uzrok problema.

9.2.2 KORIŠTENJE ŠIBICA

- 1 Postavite šbicu u držač za šibice.



- 2 Otvorite poklopac i postavite kontrolne čvorove glavnih plamenika na OFF.
- 3 Ako nijedan plamenik još nije upaljen, otvorite dovod plina i pričekajte deset sekundi. Na taj način se plin stigne stabilizirati.
- 4 Zapalite šbicu i držite je otprilike 13 mm od plamenika.



- 5 Postavite kontrolni čvor jednog plamenika na HIGH.



Uvijek za početak upalite jedan glavni plamenik. Nikad nemojte paliti sve glavne plamenike odjednom.

- 6 Ako se plamenik ne upali unutar 5 sekundi, postavite njegov upravljački čvor na OFF, zatvorite dovod plina i pričekajte 5 minuta. Na taj način sav nakupljeni plin stigne izaći.
- 7 Ponovno pokušajte upaliti plamenik. Ako ga još uvijek ne uspijevate upaliti, pogledajte "14 Rješavanje problema" kako biste otkrili uzrok problema.

9.3 Paljenje bočnog plamenika



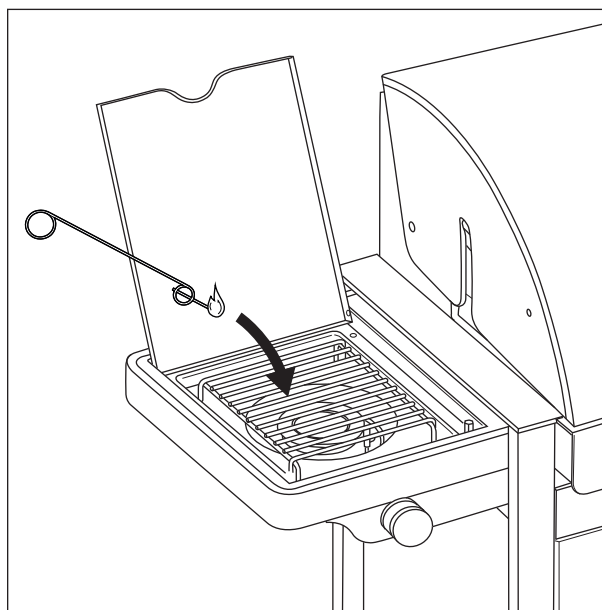
Bočni plamenik može imati posudu maksimalne težine 9 kg i maksimalnog promjera 220 mm.

9.3.1 KORIŠTENJE UPALJAČA

- 1 Otvorite poklopac i postavite kontrolni čvor bočnog plamenika na OFF.
- 2 Ako nijedan plamenik još nije upaljen, otvorite dovod plina i pričekajte deset sekundi. Na taj način se plin stigne stabilizirati.
- 3 Kontrolni čvor bočnog plamenika gurnite prema unutra, postavite ga na HIGH i držite na trenutak. Ugrađeni upaljač će stvoriti iskre koje će upaliti bočni plamenik.
- 4 Ako se plamenik ne upali nakon tri pokušaja, postavite njegov upravljački čvor na OFF, zatvorite dovod plina i pričekajte 5 minuta. Na taj način sav nakupljeni plin stigne izaći.
- 5 Ponovno pokušajte upaliti bočni plamenik. Ako ga još uvijek ne uspijevate upaliti, pokušajte upotrijebiti šibice ili pogledajte "14 Rješavanje problema" kako biste otkrili uzrok problema.

9.3.2 KORIŠTENJE ŠIBICA

- 1 Postavite šbicu u držač za šibice.
- 2 Otvorite poklopac i postavite kontrolni čvor bočnog plamenika na OFF.
- 3 Ako nijedan plamenik još nije upaljen, otvorite dovod plina i pričekajte deset sekundi. Na taj način se plin stigne stabilizirati.
- 4 Zapalite šbicu i držite je otprilike 13 mm od bočnog plamenika.




- 5 Postavite kontrolni čvor bočnog plamenika na HIGH.
- 6 Ako se bočni plamenik ne upali unutar 5 sekundi, postavite njegov upravljački čvor na OFF, zatvorite dovod plina i pričekajte 5 minuta. Na taj način sav nakupljeni plin stigne izaći.
- 7 Ponovno pokušajte upaliti bočni plamenik. Ako ga još uvijek ne uspijevate upaliti, pogledajte "14 Rješavanje problema" kako biste otkrili uzrok problema.

9.4 Isključivanje plamenika

Ako ne koristite plamenike, potrebno ih je isključiti. Postupak je sljedeći:

- 1 Zatvorite dovod plina.
- 2 Postavite kontrolne čvorove plamenika na OFF.

 Zatvaranjem dovoda plina možete biti sigurni da u uređaju neće biti preostalog plina.

9.5 Ponovno paljenje plamenika

Ako se plamenik ugasi tijekom uporabe, napravite sljedeće:

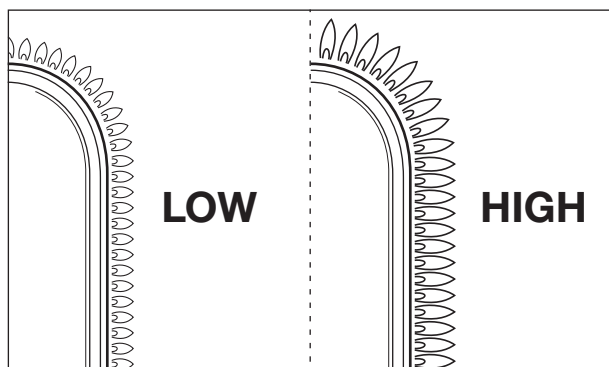
- 1 Otvorite poklopac i zatvorite dovod plina.
- 2 Postavite sve kontrolne čvorove na OFF i pričekajte 5 minuta. Na taj način sav nakupljeni plin stigne izaći.
- 3 Ponovno upalite plamenik(e).

9.6 Provjera plamena

Svaki put kada upalite plamenik morate provjeriti plamen. Savršen plamen je gotovo cijeli u plavoj boji, s malo žute na vrhu. Povremeni žuti plamenovi su normalni i nisu štetni.

Ako postoji problem s plamenom, učinite jedno od navedenog kako biste riješili problem:

Ako su plamenovi...	Učinite sljedeće...
Slabi i potpuno žuti	<ol style="list-style-type: none">1 Odmah zatvorite dovod plina i postavite sve kontrolne čvorove na OFF.2 Pogledajte "14 Rješavanje problema" kako biste otkrili uzrok problema. Najvjerojatnije su redukcijske cijevi blokirane.
Viši od zdjele	<ol style="list-style-type: none">1 Odmah zatvorite dovod plina i postavite sve kontrolne čvorove na OFF.2 Pričekajte 5 minuta kako bi nakupljeni plin stigao izići.3 Ponovno upalite plamenik(e).4 Ako problem i dalje postoji, pogledajte "14 Rješavanje problema" kako biste otkrili uzrok problema.



10 KORISNI SAVJETI I TRIKOVI

10.1 Zagrijavanje uređaja

Prethodnim zagrijavanjem Vašeg uređaja rešetka će biti dovoljno vruća kako biste na nju stavili hranu. Postupak je sljedeći:

- 1 Upalite plamenik(e) i postavite kontrolni čvor/čvorove na HIGH.
- 2 Zatvorite poklopac i ostavite uređaj deset minuta.
- 3 Nakon deset minuta otvorite poklopac i stavite hranu na rešetku.
- 4 Ako Vam je potrebno manje topline, postavite kontrolni čvor/čvorove na nižu razinu.

10.2 Sprečavanje lijepljenja hrane


Kako biste spriječili lijepljenje hrane za rešetku:

- Pomoću kista premažite hranu s malo ulja prije nego što je stavite na rešetku. Možete nauljiti i samu rešetku.
- Zagrijte uređaj. Što je rešetka toplija kada stavite hranu na nju, to će se hrana manje lijepiti.
- Ne okrećite hranu prebrzo. Dopustite da se prvo malo zagrije.

10.3 Izravno i neizravno pečenje

Ovisno o vrsti hrane koju pripremate i na koji način je želite pripremiti možete peći hranu izravno ili neizravno:


Metoda	Opis	Upotreba
Izravno	Postavite hranu izravno iznad upaljenog plamenika, postavite taj plamenik na jako i držite poklopac otvoren.	Za prženje mesa i povrća
Neizravno	Postavite hranu pokraj upaljenog plamenika, postavite taj plamenik na srednje/slabo i zatvorite poklopac.	Kako biste bolje ispekli zapečeno meso

 Prilikom pečenja pod zatvorenim poklopcem uvijek pratite termometar na poklopcu kako se aparat ne bi pregrijao. Pogledajte "10.5 Praćenje temperature".

10.4 Pečenje sa zatvorenim poklopcem

Zatvaranje poklopca tijekom pečenja ima značajne prednosti:


- Temperatura rešetke je viša i bolje se održava.
- Smanjuje se vrijeme pripremanja hrane i zadržava se sočnost.
- Smanjuju se iznenadni plamsaji i štedi na plinu.

 Prilikom pečenja pod zatvorenim poklopcem uvijek pratite termometar na poklopcu kako se aparat ne bi pregrijao. Pogledajte "10.5 Praćenje temperature".

10.5 Praćenje temperature

Vaš uređaj je opremljen snažnim plamenicima, stoga se brzo zagrijava i možete održavati određenu temperaturu. Kad pečete hranu pod zatvorenim poklopcem morate paziti da se uređaj ne pregrije. Pratite temperaturu na termometru na poklopcu i uzmite u obzir sljedeće smjernice:

- Uobičajena temperatura pečenja iznosi oko 210 °C. Na višoj temperaturi može doći do zapaljenja masnoće koja kaplje ili nakupljene masnoće.
- Temperatura nikad ne bi trebala prijeći 300 °C na duže od pet minuta. Na taj način se uređaj može deformirati ili oštetiti.

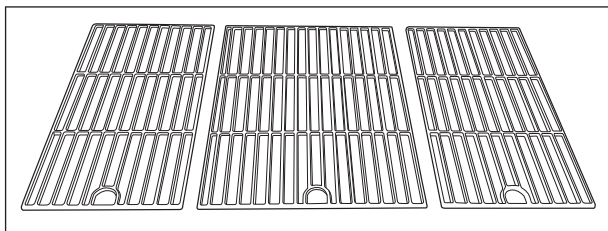
 Ako se uređaj pregrije, ohladite ga otvaranjem poklopca i postavljanjem plamenika na nižu razinu.

10.6 Optimalno iskorištavanje topline

Središnji dio zdjele je topliji od stranica. Kako biste što bolje iskoristili najtopliji dio uređaj je opremljen rešetkama različitih veličina. Dolazi s:

- Jednom velikom rešetkom koja se postavlja u sredinu zdjele.
- Dvije manje rešetke koje se postavljaju sa strana zdjele.


Ako pravilno postavite rešetke u zdjelu i upalite sve plamenike, cijela središnja rešetka će biti zagrijana do maksimuma. Na taj način proširujete najtopliji dio zdjele i možete optimalno iskoristiti površinu rešetke Vašeg uređaja.



10.7 Iskorištavanje toplinskih zona

Kad su svi plamenici upaljeni zaštitni poklopci na plamenicima raspoređuju toplinu preko rešetke što je moguće više ravnomjerno. Unatoč ovom ravnomjernom zagrijavanju neke zone su uvijek toplije od drugih. Možete iskoristiti ove toplinske zone kako biste savršeno ispekli Vašu hranu:

Zona	Vruće?	Koristite za...
Naprijed	Vruće	Pecite osjetljivu hranu (škampe, ribu...)
Sredina	Više vruće	Pripremajte hranu kojoj je potrebno određeno vrijeme pečenja (tj. kobasice, pileća bedra...)
Natrag	Najvruće	Suho meso i povrće

 Također možete stvoriti toplinske zone igrajući se snagom plamenika. Možete na primjer postaviti plamenik na nižu razinu i koristiti zonu iznad njega za pripremanje osjetljive hrane ili hrane kojoj je potrebno određeno vrijeme pečenja.

10.8 Izbjegavanje iznenadnih plamsaja

Tijekom pečenja hrane normalno je da se pojave iznenadni plamsaji. Međutim, previše iznenadnih plamsaja povišava temperaturu uređaja i može zapaliti nakupljenu masnoću. Kako biste izbjegli iznenadne plamsaje:


- Provjerite da je zdjela čista kad počnete s pečenjem. Preporučamo da postavite novi Leaf® u zdjelu prije svake uporabe. Pogledajte "11.2 Čišćenje zdjele".
- Redovito provjeravajte je li otvor za cijedenje masnoće začepjen i jesu li posuda ili čaša za skupljanje masnoće koja kaplje puni.
- Kad pečete masno meso odrežite višak masnoće, zatvorite poklopac i postavite plamenike na srednju ili nižu razinu.

11 ODRŽAVANJE UREĐAJA

11.1 Čišćenje rešetke

Preporučamo čišćenje rešetke nakon svake upotrebe koristeći Barbecue cleaner. Postupak je sljedeći:

- 1 Raspršite pjenu po rešetki i ostavite da djeluje neko vrijeme. Pjena mijenja boju dok upija prljavštinu i masnoću.
- 2 Uklonite pjenu mekom spužvom i vodom i temeljito isperite rešetku.
- 3 Dobro posušite rešetku i spremite je na suho mjesto. Na ovaj način se sprečava stvaranje hrđe.

 Također možete očistiti rešetku pomoću biorazgradivog deterdženta ili sode bikarbone. Nikada za rešetku nemojte upotrebljavati sredstva za čišćenje pećnice.

11.2 Čišćenje zdjele

Preporučamo čišćenje zdjele nakon svake upotrebe. Najlakši način za to jest da postavite Leaf® u zdjelu prije nego što počnete s pečenjem. Leaf® je folija koja savršeno pristaje unutar zdjele i služi za zadržavanje svih ostataka i masnoća. Kad se uređaj ohladi jednostavno uklonite Leaf® i zdjela je čista.



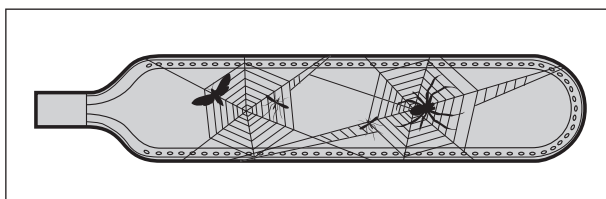
Registrirajte Vaš uređaj na www.barbecook.com kako biste otkrili koji Leaf® Vam je potreban.

11.3 Čišćenje plamenika i redukcijskih cijevi

11.3.1 ZAŠTO JE POTREBNO ČISTITI PLAMENIKE I REDUKCIJSKE CIJEVI?

Pauci i insekti mogu napraviti mreže ili gnijezda u plamenicima i redukcijskim cijevima. Zbog toga dovod plina na plamenike može biti blokiran. Rezultat je:

- Ne možete upaliti plamenike. Ako ih ipak uspijete upaliti, plamenovi će biti puni dima i žučkasti.
- Plin može početi izgarati izvan redukcijskih cijevi, na kontrolnim čvorovima. Ovi požari se nazivaju povratnim plamenom i mogu rezultirati ozbiljnim ozljedama i materijalnom štetom.



i Oštećenja nastala zbog blokiranih plamenika i redukcijskih cijevi smatraju se neodgovarajućim načinom održavanja i nisu pokrivena jamstvom.

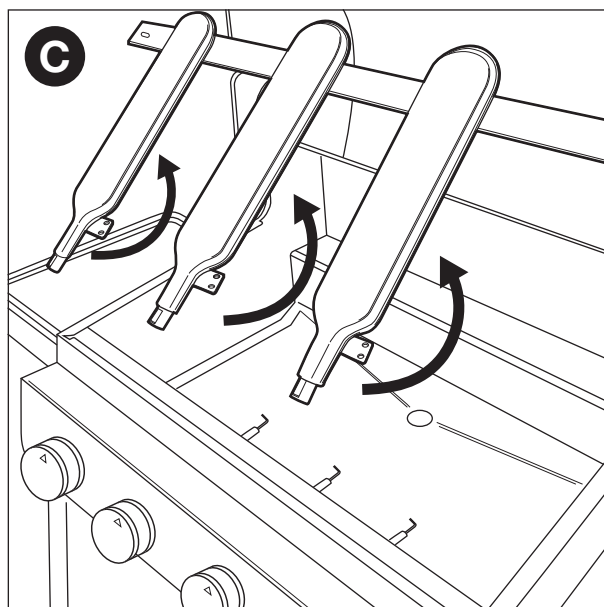
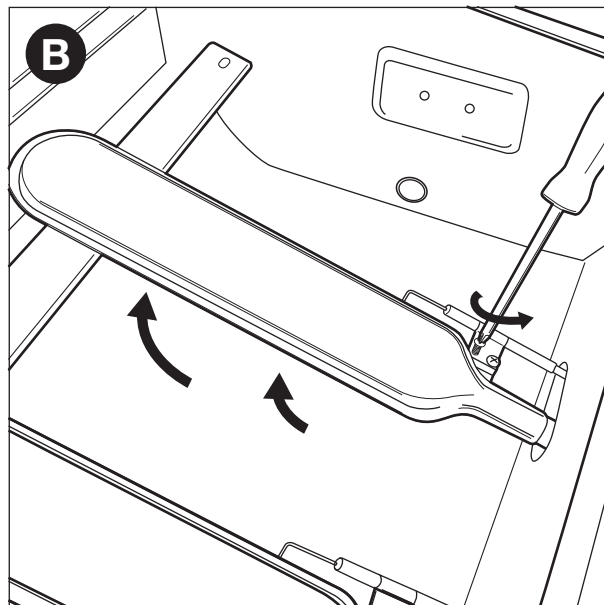
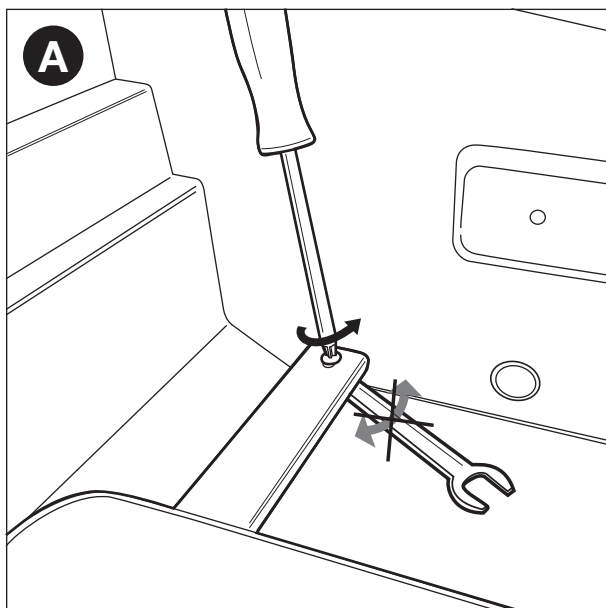
11.3.2 KADA JE POTREBNO ČISTITI PLAMENIKE I REDUKCIJSKE CIJEVI?

Morate čistiti plamenike i redukcijske cijevi Vašeg uređaja:

- Prije prve uporabe nakon dugog razdoblja nekorištenja.
- Najmanje dvaput godišnje, od čega jednom na početku sezone.

11.3.3 KAKO BISTE OČISTILI PLAMENIKE I REDUKCIJSKE CIJEVI

1 Uklonite plamenike s uređaja kao što je prikazano na slikama. Ako primijetite da je plamenik oštećen, potrebno ga je zamijeniti.




- 2 Očistite plamenike i redukcijske cijevi pomoću male četkice ili predmeta za čišćenje cijevi domaće izrade (odvijena spajalica, četkica za cijevi...).
- 3 Vratite plamenike na mjesto. Postavite redukcijske cijevi iznad otvora plinskih ventila.


11.4 Održavanje dijelova od emajla, nehrđajućeg čelika i elektrostatske boje u prahu

Uređaj se sastoji od dijelova napravljenih od emajla, nehrđajućeg čelika i elektrostatske boje u prahu. Svaki materijal se treba održavati na drugačiji način:

Materijal	Kako održavati ovaj materijal
Emajl	<ul style="list-style-type: none"> • Nemojte koristiti oštre predmete i nemojte udarati po tvrdoj površini. • Izbjegavajte kontakt s hladnim tekućinama dok je materijal još uvijek vruć. • Možete koristiti metalne spužve i abrazivne deterdžente.

Materijal	Kako održavati ovaj materijal
Nehrđajući čelik	<ul style="list-style-type: none"> Nemojte koristiti agresivne, abrazivne ili metalne deterdžente. Upotrebjavajte biorazgradivi deterdžent i pustite ga da djeluje na čelik. Upotrebjavajte mekanu spužvu ili tkaninu. Nakon čišćenja temeljito isperite i dobro osušite prije pohranjivanja.
Obojen elektrostatski boj u prahu	<ul style="list-style-type: none"> Nemojte koristiti oštre predmete. Upotrebjavajte biorazgradive deterdžente i mekanu spužvu ili tkaninu. Nakon čišćenja temeljito isperite i dobro osušite prije pohranjivanja.

 Kako bi se spriječilo stvaranje hrđe na nehrđajućem čeliku izbjegavajte kontakt s klorom, soli i željezom. Preporučamo da uređaj ne koristite u blizini obale, željezničke pruge ili bazena.

 Oštećenja nastala zbog nepridržavanja ovih uputa smatraju se neodgovarajućim načinom održavanja i nisu pokrivena jamstvom.

Ispod prikaza rastavljenog sklopa vašeg uređaja (drugi dio priručnika) pronaći ćete popis sa svim dijelovima od kojih se uređaj sastoji. Na popisu su uključeni simboli koji određuju materijal svakog dijela, tako da ga možete koristiti kako biste provjerili na koji način trebate održavati pojedini dio. Na popisu dijelova upotrebljavaju se sljedeći simboli:

Simbol	Materijal
●	Emajl
■	Nehrđajući čelik
★	Obojen elektrostatski boj u prahu

11.5 Pospremanje uređaja

Ako duže vrijeme ne koristite Vaš uređaj, pospremite ga na suhom mjestu. Prije pohranjivanja uređaja:

- Isključite spremnik s plinom. Nikad ne pohranjujte svoj uređaj u zatvorenom (niti u garaži ili spremištu) ako je priključen na spremnik s plinom.
- Očistite plamenike i rešetke, namažite ih uljem i zamotajte ih u papir.
- Ako je Vaš uređaj opremljen mlaznim plamenikom, uklonite pogon mlaznog plamenika i pohranite ga na suhom mjestu.
- Prekrijte Vaš uređaj navlakom Barbecook. Registrirajte Vaš uređaj na www.barbecook.com kako biste otkrili koja Vam je navlaka potrebna.

11.6 Pohrana spremnika s plinom

Ove upute odnose se na pune i prazne spremnike s plinom.

- Uvijek pohranite spremnike s plinom vani, u dobro prozračenom prostoru. Ne smiju biti izloženi pretjeranoj toplini niti direktnoj sunčevoj svjetlosti.
- Nikad ne pohranjujte spremnik s plinom na mjesto koje se može jako zagrijati (u automobilu, na brodu...).
- Nikad ne spremajte Vaš spremnik s plinom ili rezervni spremnik s plinom u ormarić Vašeg uređaja.
- Nikad ne spremajte rezervni spremnik s plinom u blizinu uređaja koji je u uporabi.

- Uvijek pohranite spremnik s plinom izvan dohvata djece.
- Uvijek pohranite i prevozite spremnik s plinom u uspravnom položaju.

11.7 Naručivanje rezervnih dijelova

Dijelove koji su izravno izloženi vatri ili jakoj toplini s vremena na vrijeme je potrebno zamijeniti. Kako biste naručili rezervni dio:

- Potražite referentni broj dijela koji vam je potreban. Popis svih referentnih brojeva možete naći ispod prikaza rastavljenog sklopa u drugom dijelu ovog priručnika i na www.barbecook.com.



Ako registrirate Vaš uređaj na mreži, automatski će Vam se prikazati odgovarajući popis.

- Naručite rezervni dio na Vašem prodajnom mjestu. Možete naručiti dijelove koji su pokriveni jamstvom i one koji nisu uključeni u njega.

12 JAMSTVO

12.1 Obuhvaćeno

Vaš se uređaj isporučuje s dvogodišnjim jamstvom koje počinje vrijediti od dana kupnje. Ovo jamstvo obuhvaća sve greške u proizvodnji samo ako:

- Koristite, sastavite i održavate vaš uređaj u skladu s uputama u ovom priručniku. Oštećenja izazvana pogrešnom uporabom, nepravilnim postavljanjem ili neodgovarajućim održavanjem ne smatraju se greškama u proizvodnji.
- Možete priložiti račun i jedinstveni serijski broj vašeg uređaja. Serijski broj započinje slovom G iza kojeg slijedi 15 znamenki. Možete ga naći:
 - Na ovom priručniku i na početničkom paketu u koji je ovaj priručnik uključen.
 - Na pakiranju uređaja.
 - Na označnoj naljepnici na unutrašnjoj strani vrata ormarića.
- Zavod za ispitivanje kvalitete Barbecook potvrđuje da su dijelovi neispravni i da su se pokazali neispravni pri uobičajenom korištenju, pravilnom sklapanju i odgovarajućem održavanju.

Ako nije ispunjen jedan od gore navedenih uvjeta, ne možete tražiti nikakvu nadoknadu. U svakom slučaju jamstvo je ograničeno na popravak ili zamjenu dijela ili dijelova koji su neispravni.

12.2 Nije obuhvaćeno

Sljedeća oštećenja i kvarovi nisu obuhvaćeni jamstvom:

- Normalno trošenje (hrđa, izobličenja, promjena boje...) dijelova koji su izravno izloženi vatri ili jakoj toplini. Normalno je s vremena na vrijeme zamijeniti ove dijelove.
- Vizualne nepravilnosti koje su svojstvene procesu proizvodnje. Ove nepravilnosti ne smatraju se kvarom u proizvodnji.
- Sva oštećenja uzrokovana neodgovarajućim održavanjem, nepravilnim skladištenjem, nepravilnom montažom ili izmjenama na prethodno montiranim dijelovima.
- Sva oštećenja nastala zbog pogrešne uporabe i zlouporabe uređaja (ne koristeći ga u skladu s uputama iz ovog priručnika, koristeći ga za komercijalne svrhe...).
- Sve posljedične štete uzrokovane nemarnom upotrebom uređaja ili nepridržavanjem uputa.

- Hrđa ili promjena boje izazvani vanjskim utjecajima, upotrebom agresivnih deterdženata, izloženosti kloru... Ova oštećenja ne smatraju se kvarom u proizvodnji.

13 TEHNIČKI OPIS

13.1 Označna naljepnica

Na označnoj naljepnici je naveden potpuni tehnički opis Vašeg uređaja. Možete ga naći:

- U drugom dijelu ovog priručnika.
- Na unutrašnjoj strani vrata ormarića.

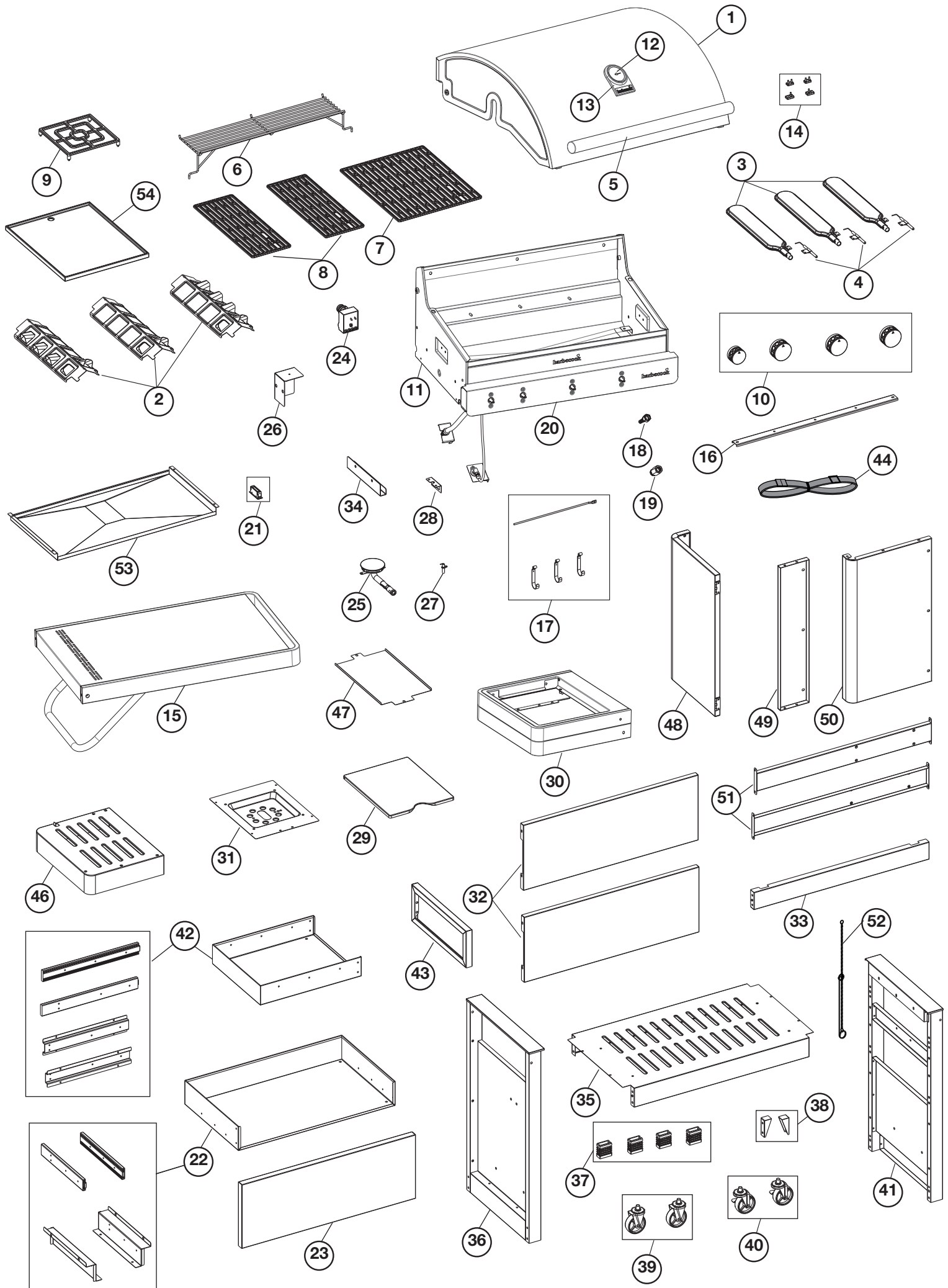
13.2 Promjeri ubrizgača

- Glavni plamenik: 0,991 mm
- Bočni plamenik: 0,88 mm

14 RJEŠAVANJE PROBLEMA

Problem	Vjerojatni uzrok/ci	Rješenje/a
Nema dovoljno topline	<ul style="list-style-type: none"> Dovod plina nije otvoren Redukcijske cijevi nisu postavljene iznad otvora na plinskim ventilima Blokirani otvori na plameniku Spremnik s plinom (gotovo) prazan Regulator pritiska nije pravilno spojen sa spremnikom i/ili crijevom 	<ul style="list-style-type: none"> Otvorite dovod plina Postavite redukcijske cijevi iznad otvora na plinskim ventilima Očistite otvore na plameniku ili zamijenite plamenike Zamijenite spremnik s plinom Ponovno priključite regulator pritiska na spremnik i/ili crijevo
Previše topline i/ili iznenadni plamsaji	<ul style="list-style-type: none"> Hrana je premasna Otvor za cijedenje masnoće je blokiran, masnoća u zdjeli i/ili na plamenicima Zaštitni poklopac na plameniku nije pravilno postavljen Temperatura je previsoka 	<ul style="list-style-type: none"> Odrežite višak masnoće ili postavite plamenike na nižu razinu Očistite otvor za cijedenje masnoće, zdjelu i plamenike Pravilno postavite zaštitne poklopce na plameniku Postavite plamenike na nižu temperaturu i/ili nemojte peći hranu direktno
Toplina se ne raspoređuje ravnomjerno na površini rešetke	<p>Određene razlike u temperaturi su normalne, vidi "11.6 Optimalno iskorištavanje topline" i "11.7 Iskorištavanje toplinskih zona". Mogući uzrok/ci velikih razlika u temperaturi:</p> <ul style="list-style-type: none"> Zaštitni poklopci na plamenicima nisu pravilno postavljeni Uređaj nije prethodno zagrijan 	<ul style="list-style-type: none"> Pravilno postavite zaštitne poklopce na plameniku Prethodno zagrijte uređaj
Žuti plamenovi	<ul style="list-style-type: none"> Blokirani su plamenici ili redukcijske cijevi Stavite soli na plamenike Uređaj je spojen na butan 	<ul style="list-style-type: none"> Očistite plamenike i redukcijske cijevi Očistite plamenike Spojite uređaj na propan, koristeći odgovarajući regulator pritiska
Plamen je nepotpun	Plamenik je blokiran, probušen ili zahrđao	Očistite ili zamijenite plamenik
Povratni plamenovi (plamenovi izvan redukcijskih cijevi/na kontrolnim čvorovima)	Blokirani su plamenici ili redukcijske cijevi	<ol style="list-style-type: none"> Zatvorite dovod plina i postavite plamenike na OFF. Ostavite uređaj da se ohladi. Očistite plamenike i redukcijske cijevi.
Plamenovi su viši od ruba zdjele	<ul style="list-style-type: none"> Mnogo vjetra Spremnik s plinom (gotovo) prazan Masnoća u zdjeli i/ili na plamenicima 	<ul style="list-style-type: none"> Postavite uređaj tako da mu je stražnja strana okrenuta u smjeru vjetra Zamijenite spremnik s plinom Očistite zdjelu, očistite plamenike i zamijenite Leaf®
Regulator pritiska bruji	<ul style="list-style-type: none"> Vruće vrijeme Novi (puni) spremnik s plinom 	Nema opasnosti niti oštećenja. Trebalo bi prestati nakon kratkog vremena.
Plamenik zviždi kad je namješten na LOW	Ubrizgač plina, redukcijska cijev i/ili plamenik su prljavi	Očistite ubrizgač plina, redukcijsku cijev i plamenik
Nije moguće upaliti plamenik (koristeći upaljač ili šibicu)	<ul style="list-style-type: none"> Plamenik ili redukcijska cijev su blokirani Nema dovoda plina 	<ul style="list-style-type: none"> Očistite plamenik i redukcijsku cijev Otvorite dovod plina i pritisnite sigurnosni čvor na regulatoru pritiska (ne postoji na svim regulatorima)
Nije moguće upaliti plamenik pomoću upaljača	<ul style="list-style-type: none"> Nema baterije ili baterija nije ispravno postavljena Ožičenje upaljača nije pravilno postavljeno Elektroda oštećena Neprikladan teren Neispravan upaljač 	<ul style="list-style-type: none"> (Ponovno) umetnite bateriju pravilno postavljajući završetke Provjerite i ponovno sastavite sve spojeve na upaljaču Zamijenite elektrodu Provjerite i ponovno sastavite elektrode, plamenike i upaljač Zamijenite upaljač








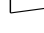




Illustrations



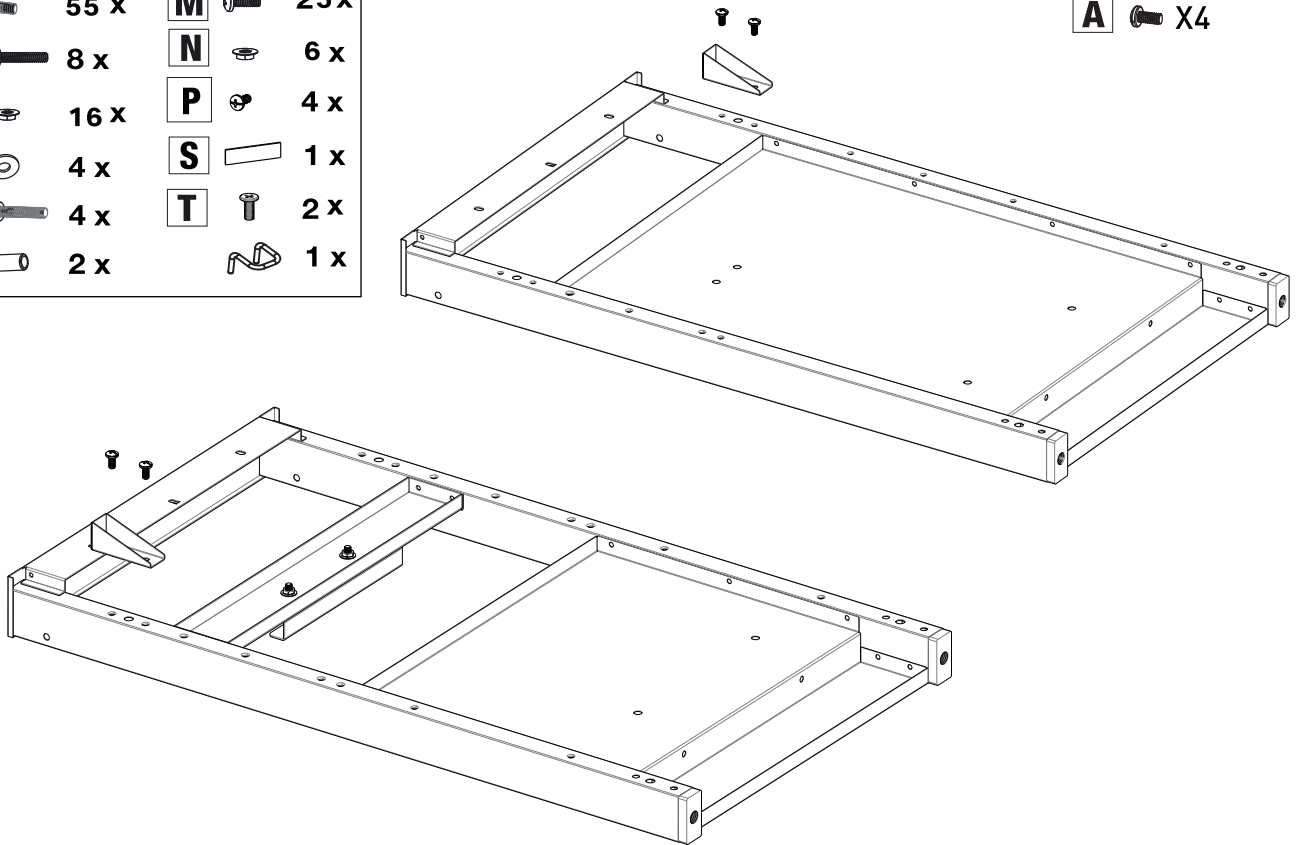
STELLA 3221
223.9422.000

1	227.9420.010	●	41	227.9422.070	●
2	227.9421.010		42	227.9422.080	
3	227.9320.090		43	227.9422.090	★
4	227.9420.260		44	227.9422.180	
5	227.9420.060		45	N/A	
6	227.9900.082	■	46	227.9422.120	
7	227.9421.020		47	227.9422.130	
8	227.9421.030	●	48	227.9422.140	
9	227.9422.190	●	49	227.9422.150	
10	227.9421.050	●	50	227.9422.160	
11	227.9421.060	●	51	227.9422.170	
12	227.9421.070	●	52	227.9900.170	
13	227.9420.040	●	53	227.9420.590	
14	227.9421.080	●	54	227.9420.130	
15	227.9421.090	●			
16	227.9900.140	■			
17	227.9421.100	■			
18	227.9900.210				
19	227.9900.230				
20	227.9421.110				
21	227.9422.010				
22	227.9422.020				
23	227.9422.030				
24	227.9420.570	■			
25	227.9421.130				
26	227.9420.580				
27	227.9420.250	■			
28	227.9421.140				
29	227.9900.755	■			
30	227.9421.150	★ ■			
31	227.9421.160				
32	227.9422.040	■			
33	227.9900.440				
34	227.9420.460	■			
35	227.9422.050	★ ■			
36	227.9422.060	★			
37	227.9900.570	●			
38	227.9900.630				
39	227.9400.090				
40	227.9400.100				



1

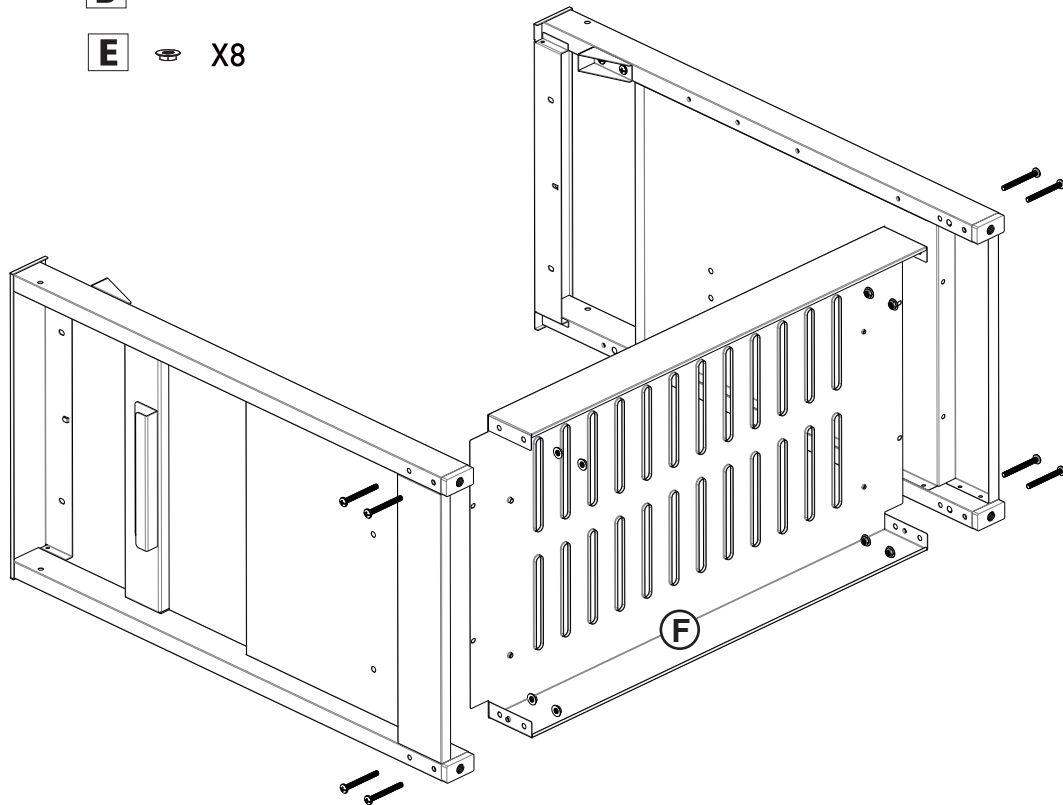
A		55 x	M		25 x
D		8 x	N		6 x
E		16 x	P		4 x
H		4 x	S		1 x
I		4 x	T		2 x
J		2 x			1 x

A  X4





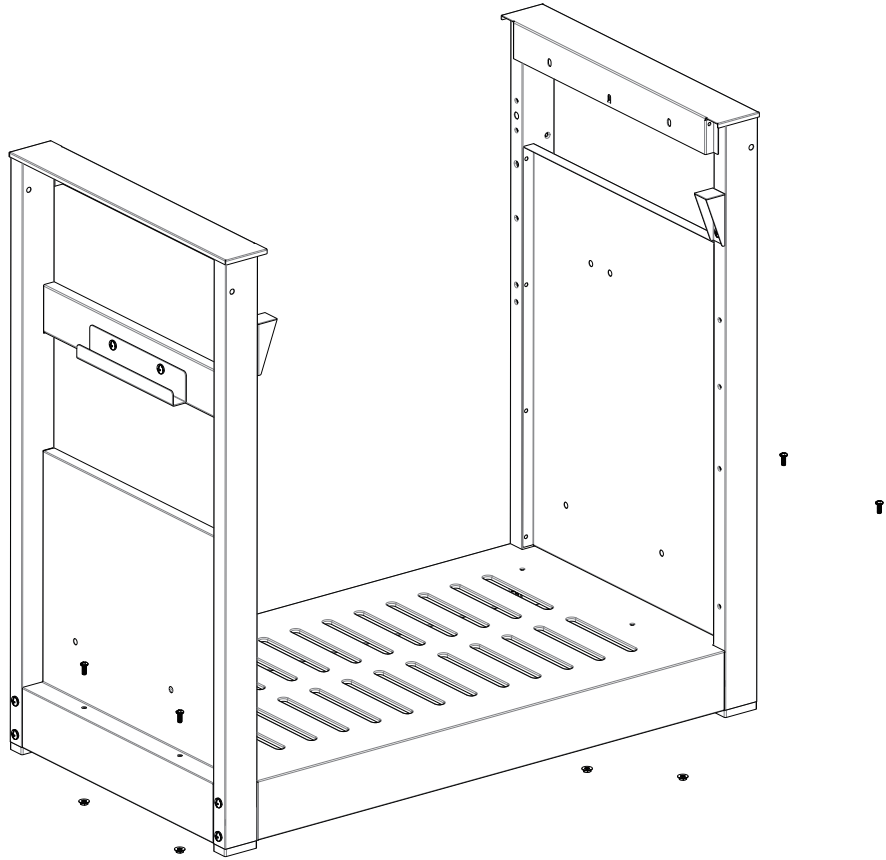
2

D		X8
E		X8



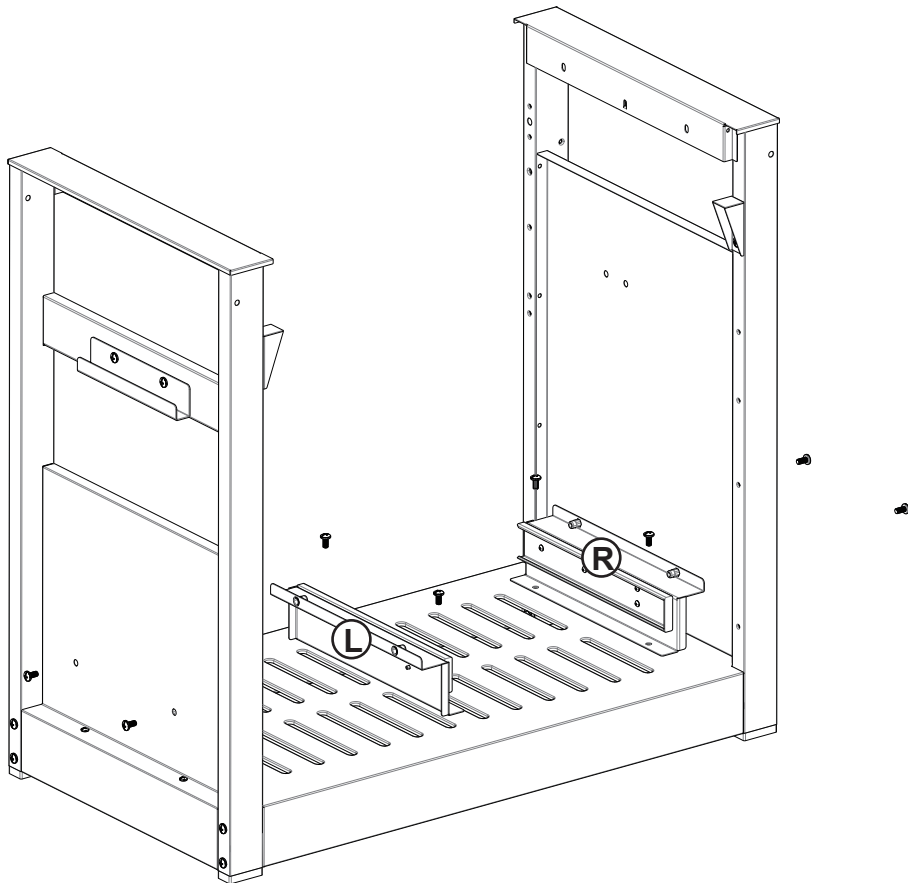
3

- M**  X4
- N**  X4



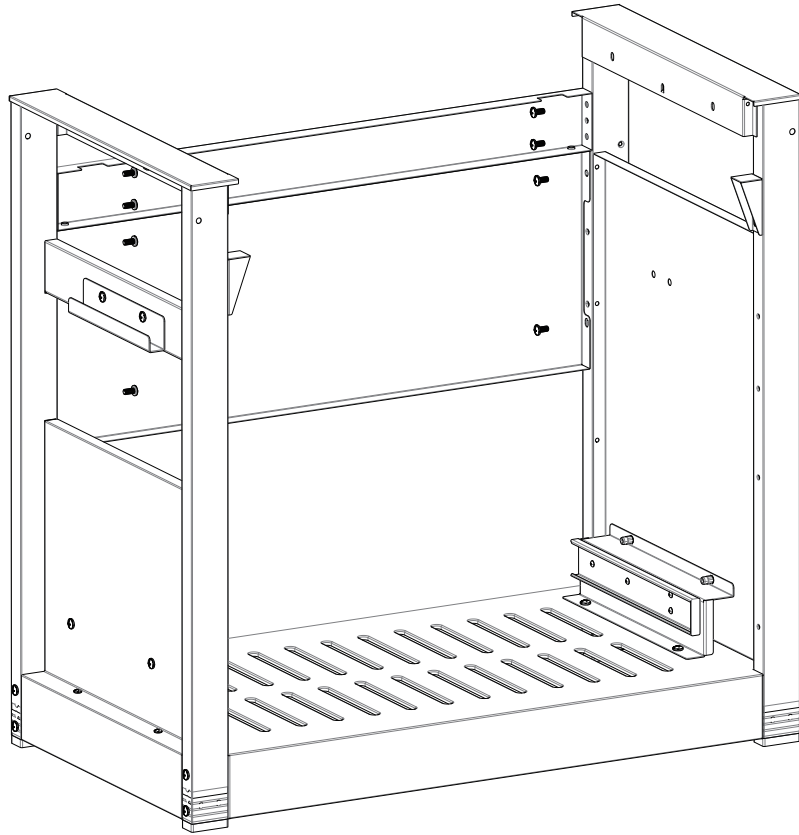
4

- A**  X8



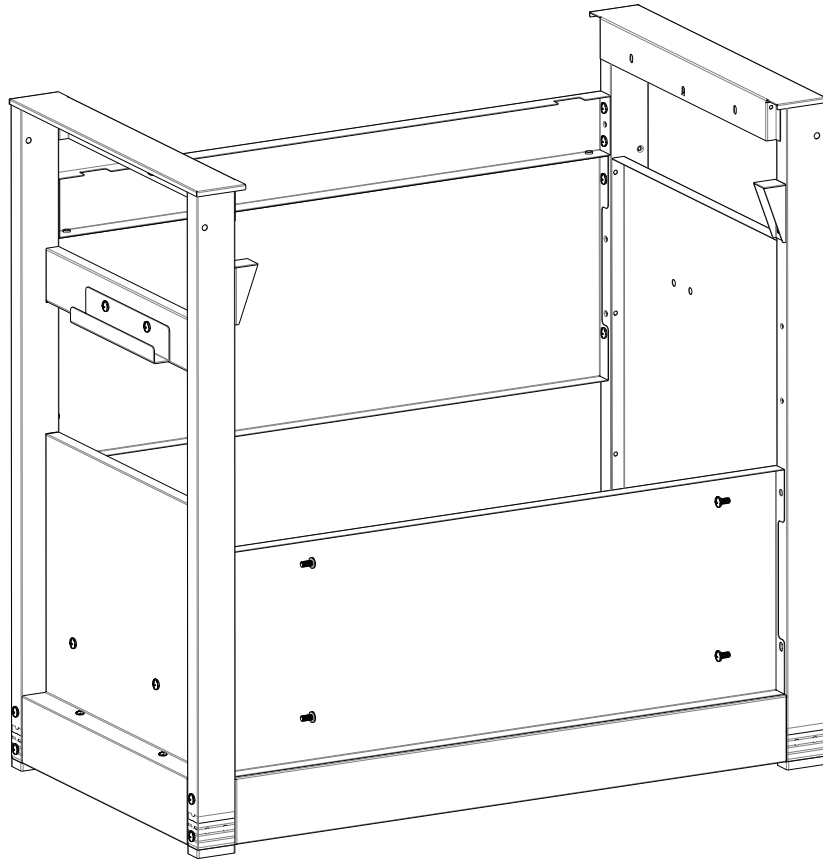
5

A  X8

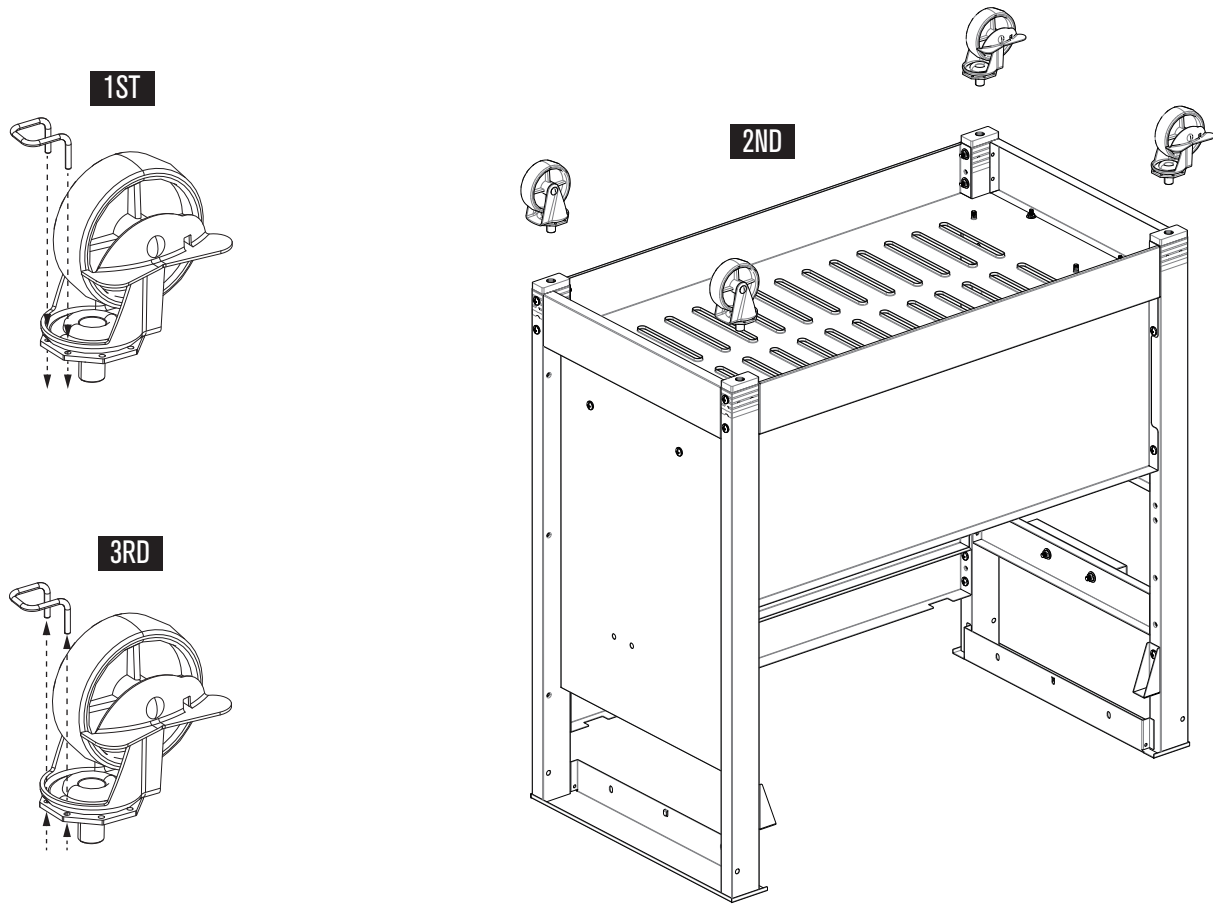


6

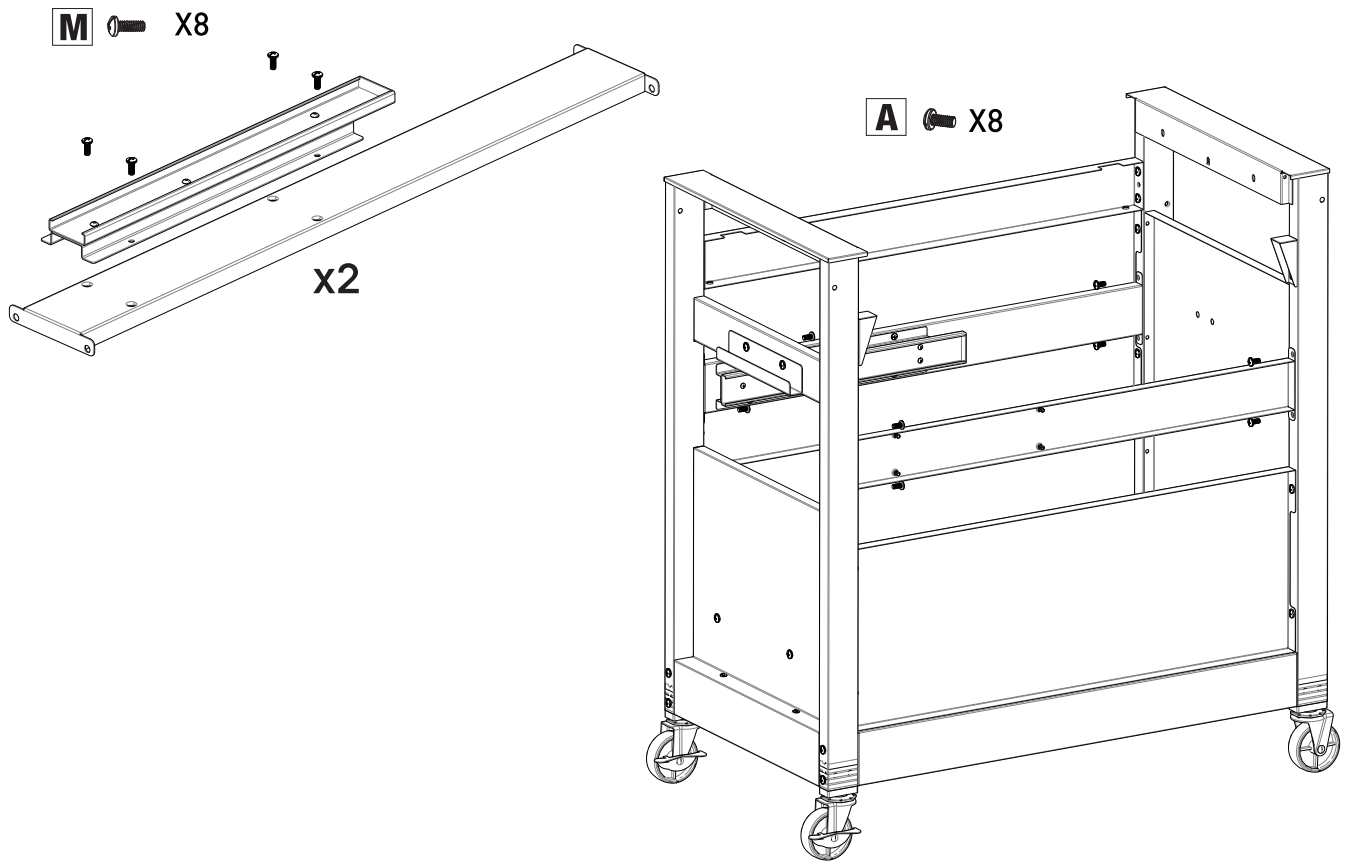
A  X4



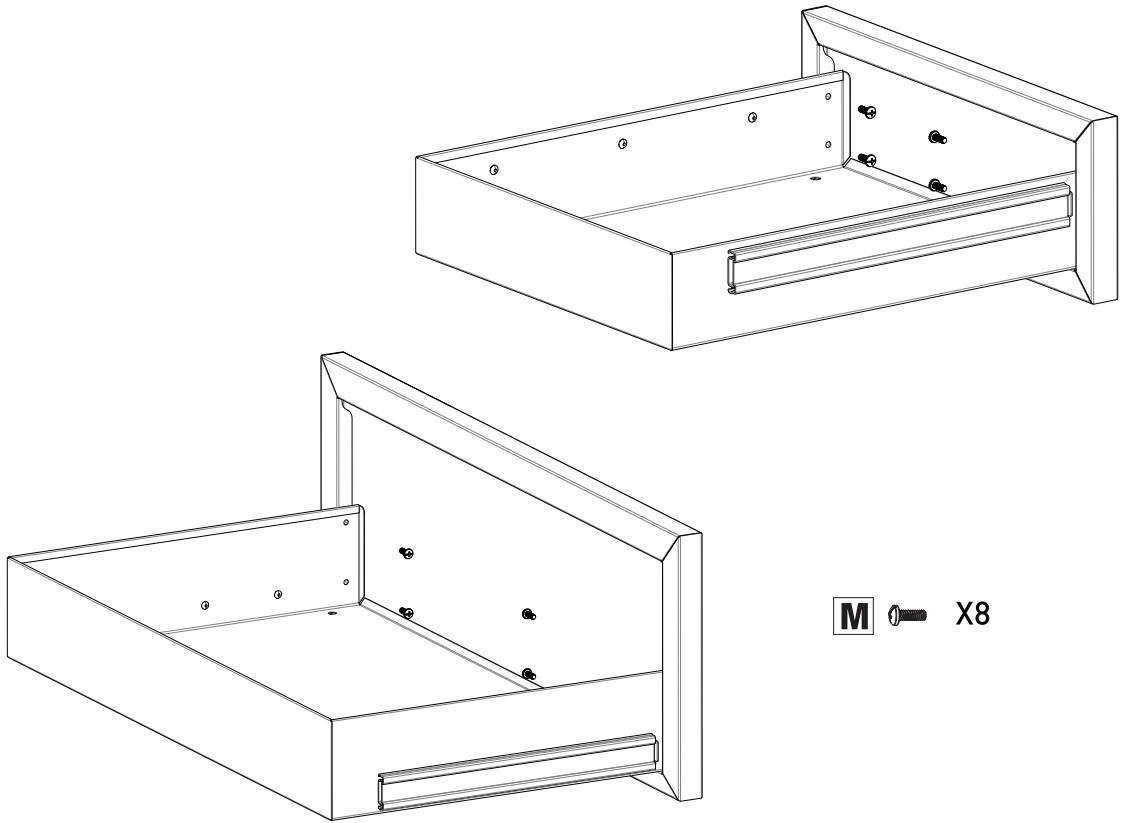
7



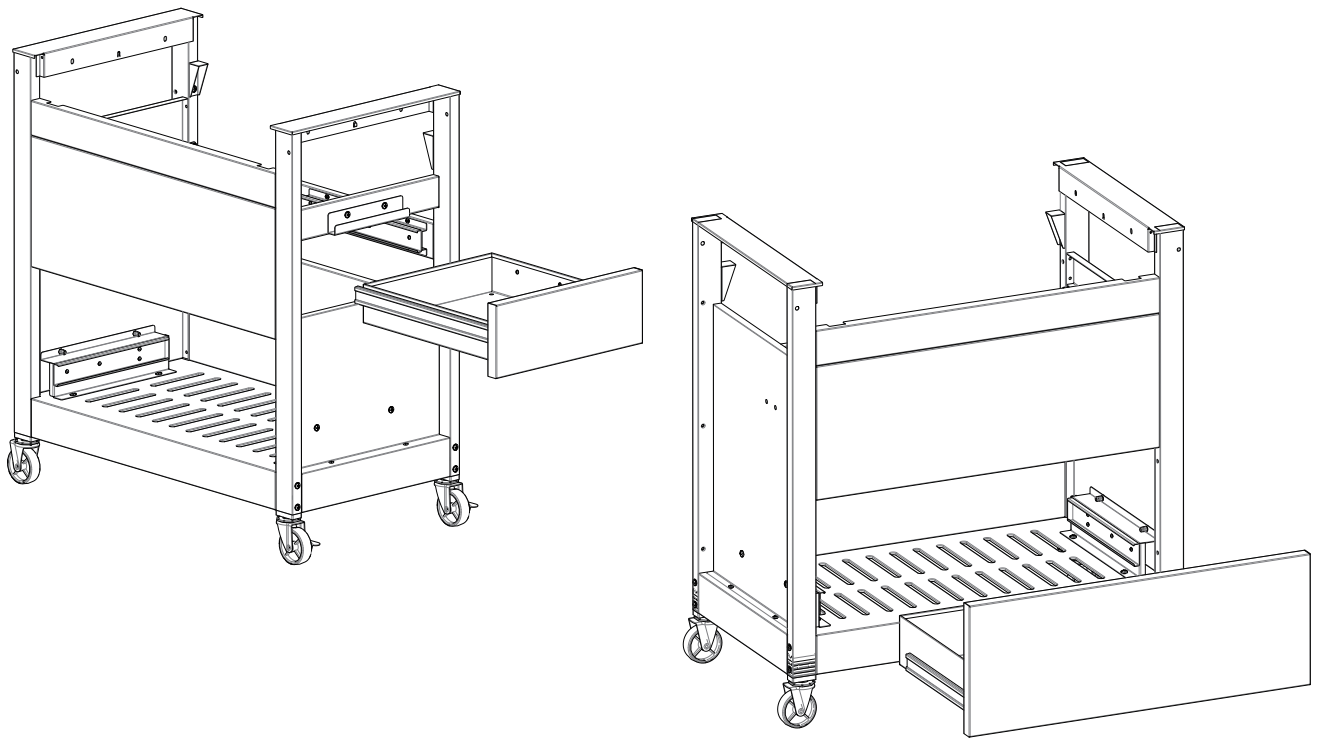
8



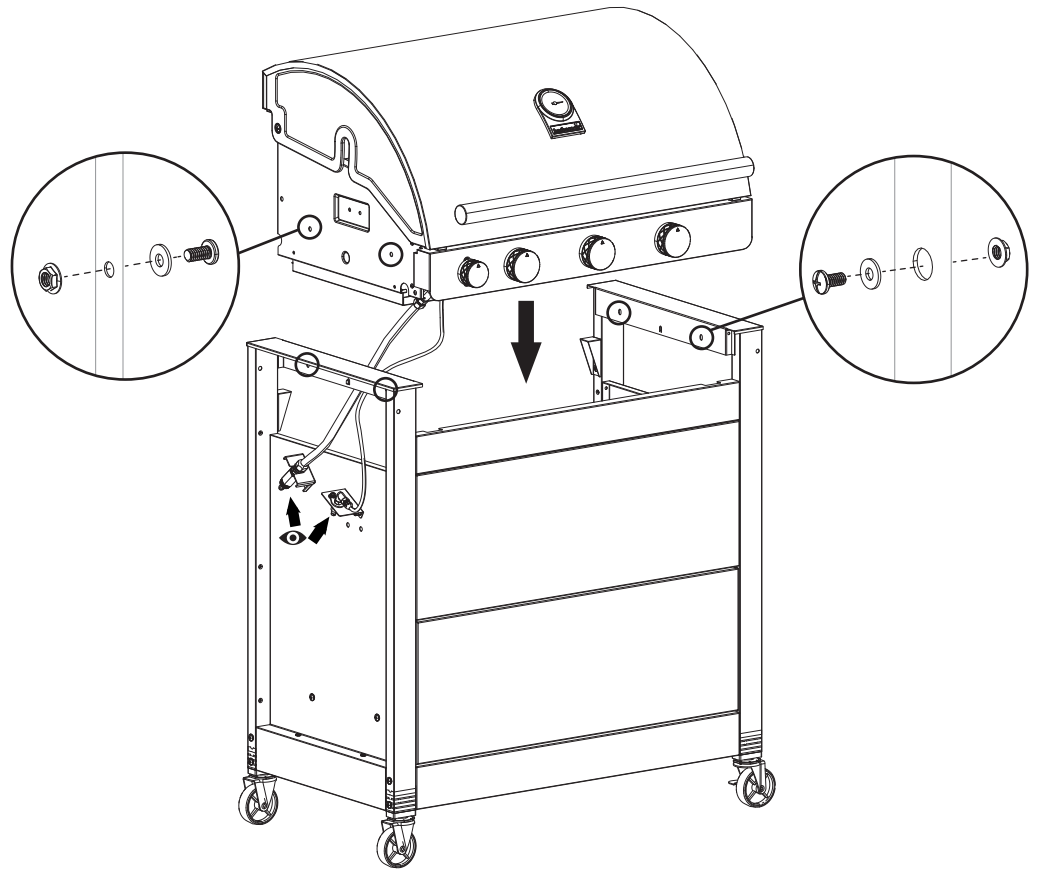
9



10



11



A  X4

E  X4

H  X4

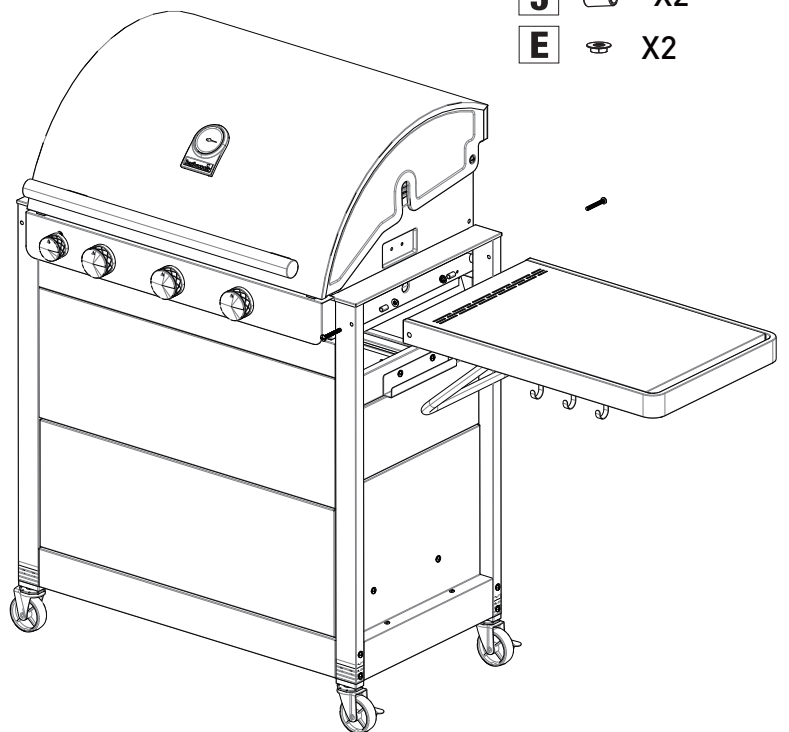
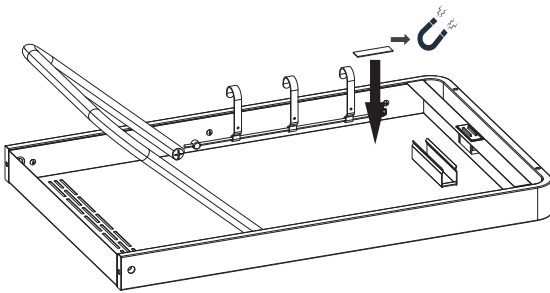
12

S  X1

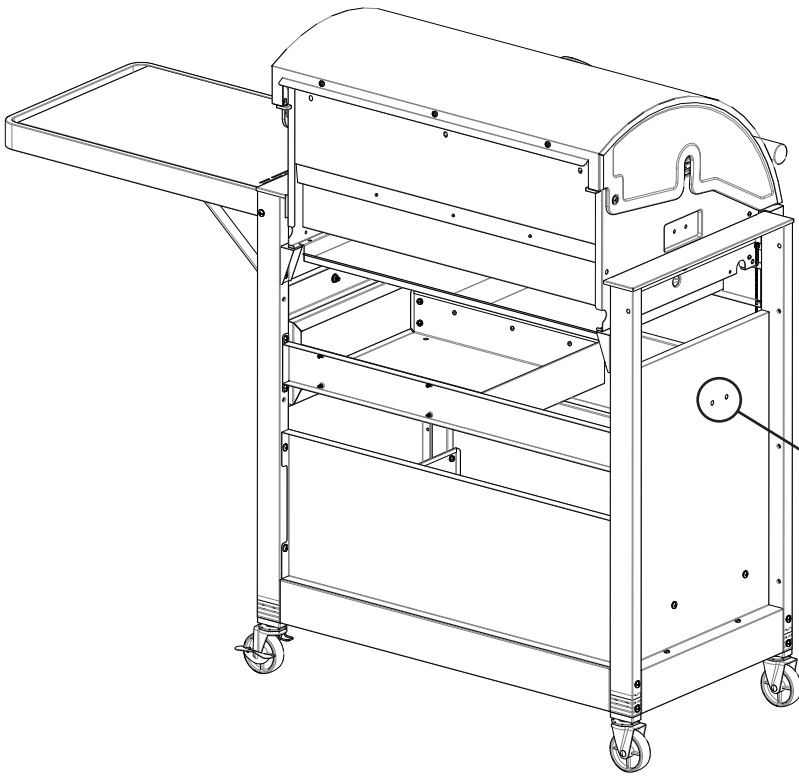
I  X2

J  X2

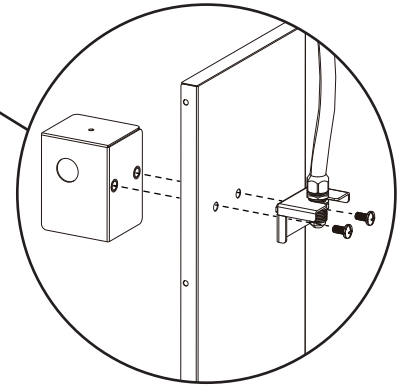
E  X2



13



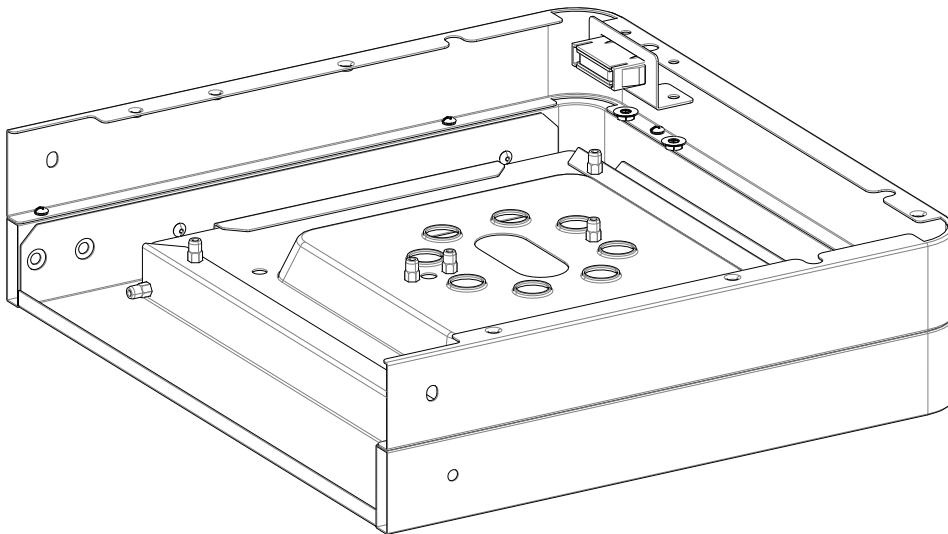
A  X2



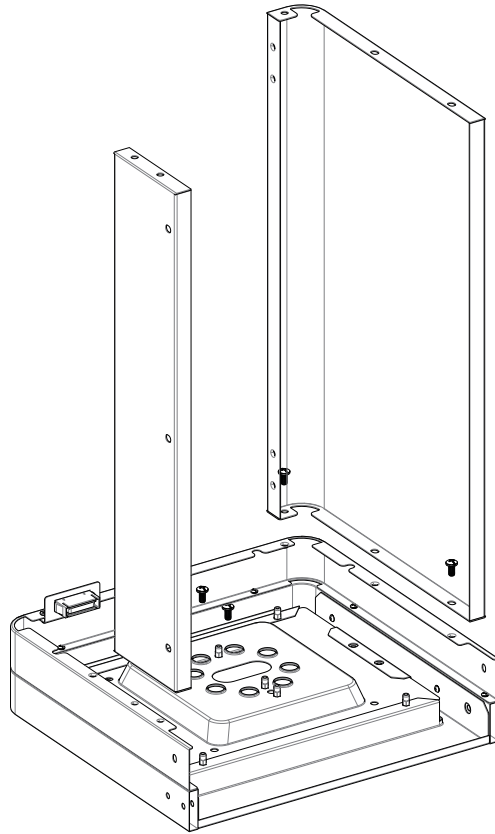
14

T  X2

N  X2

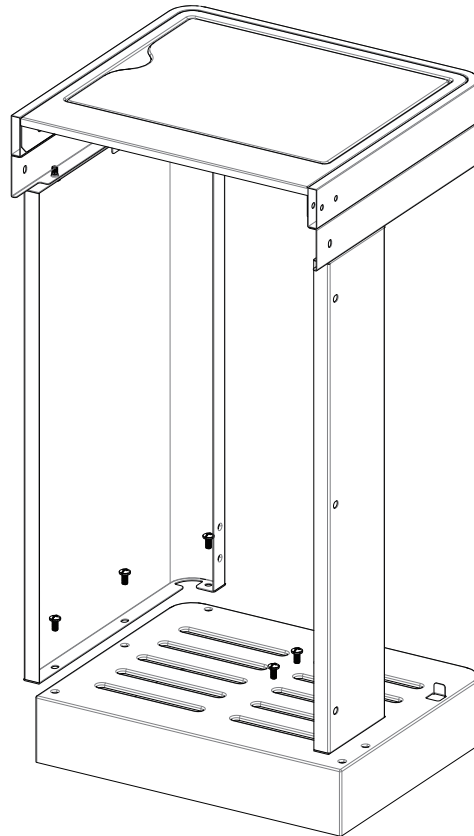


15



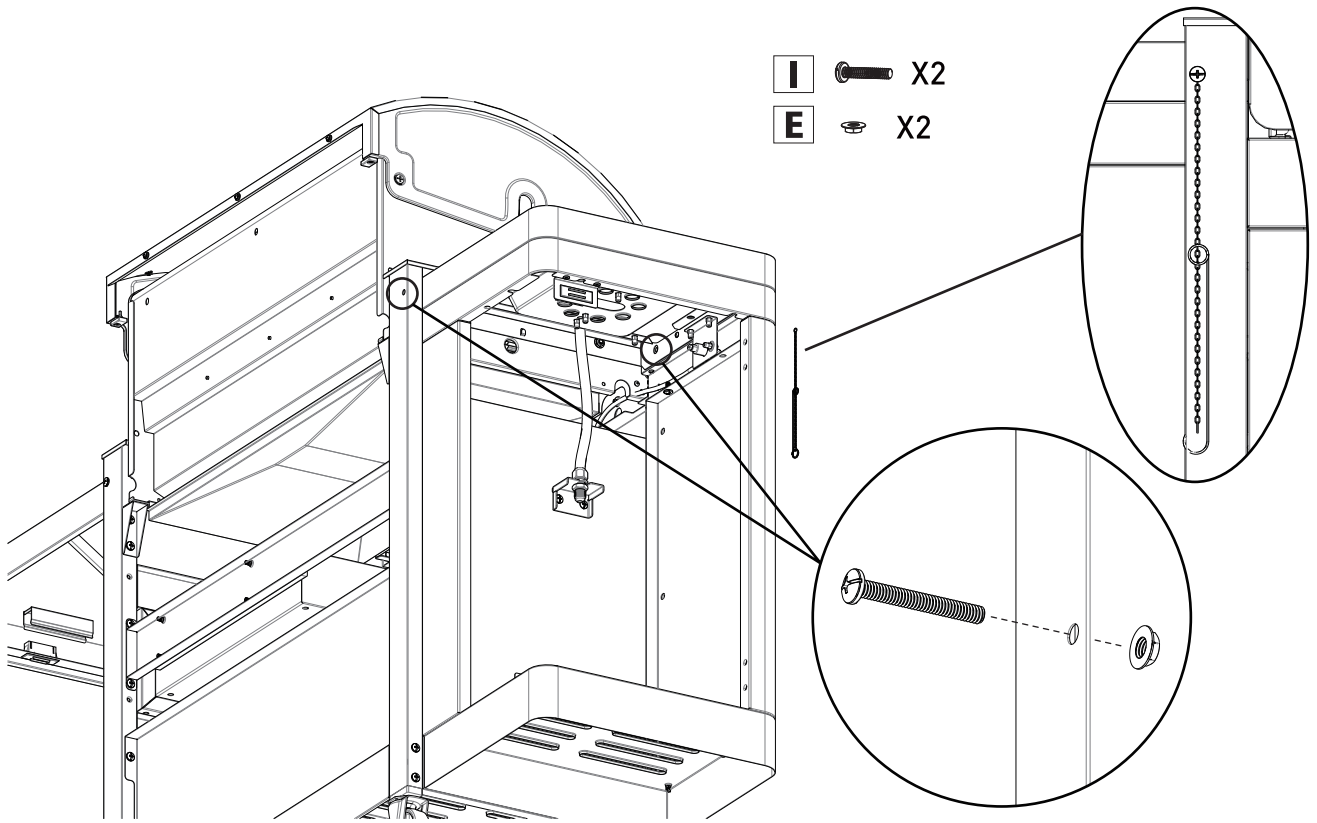
A  X4

16

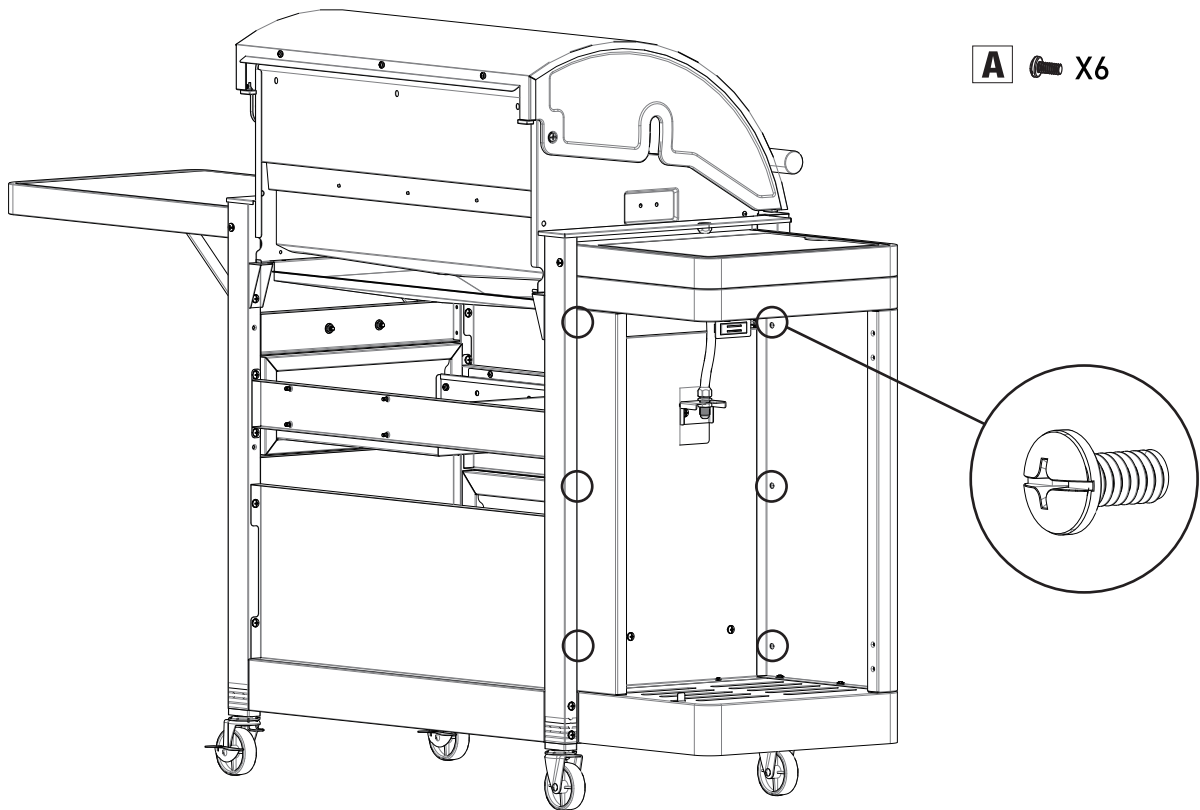


A  X5

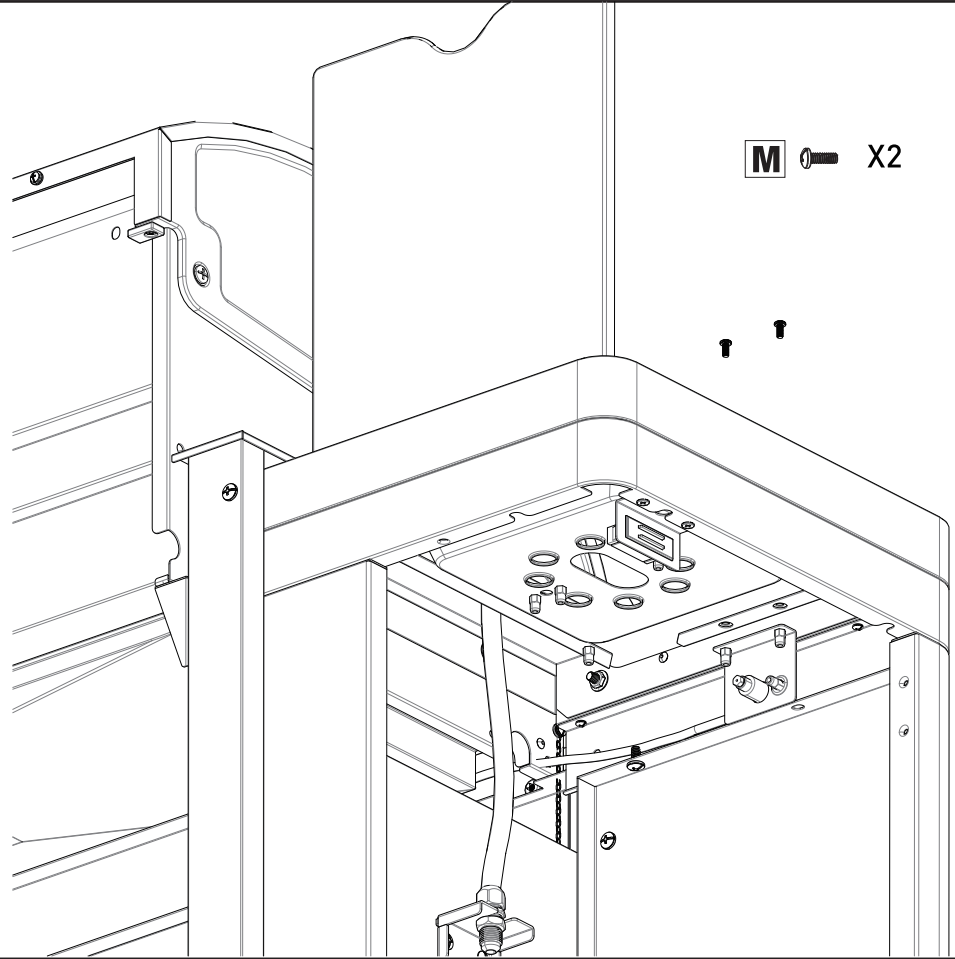
17



18

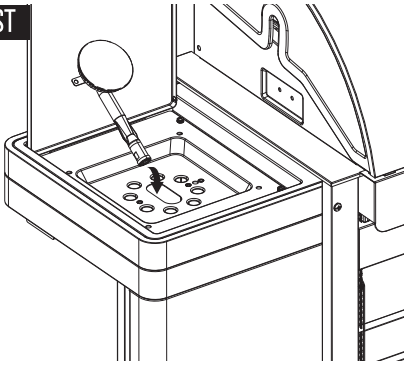


19

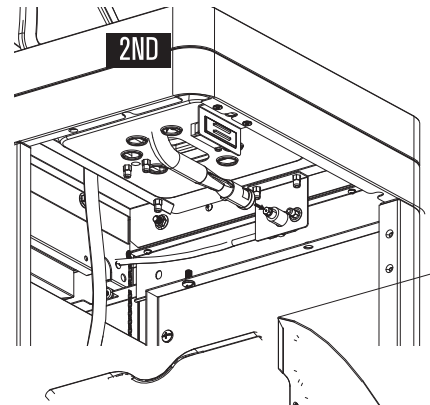


20

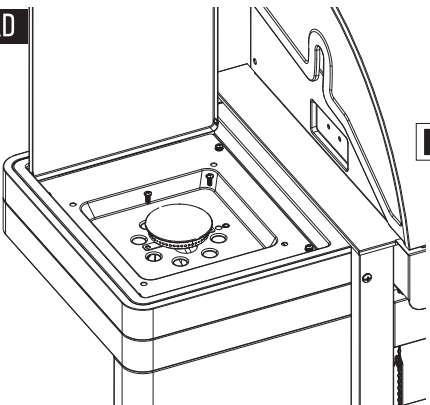
1ST



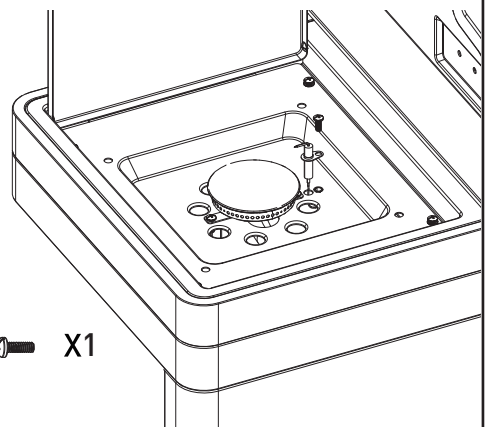
2ND



3RD

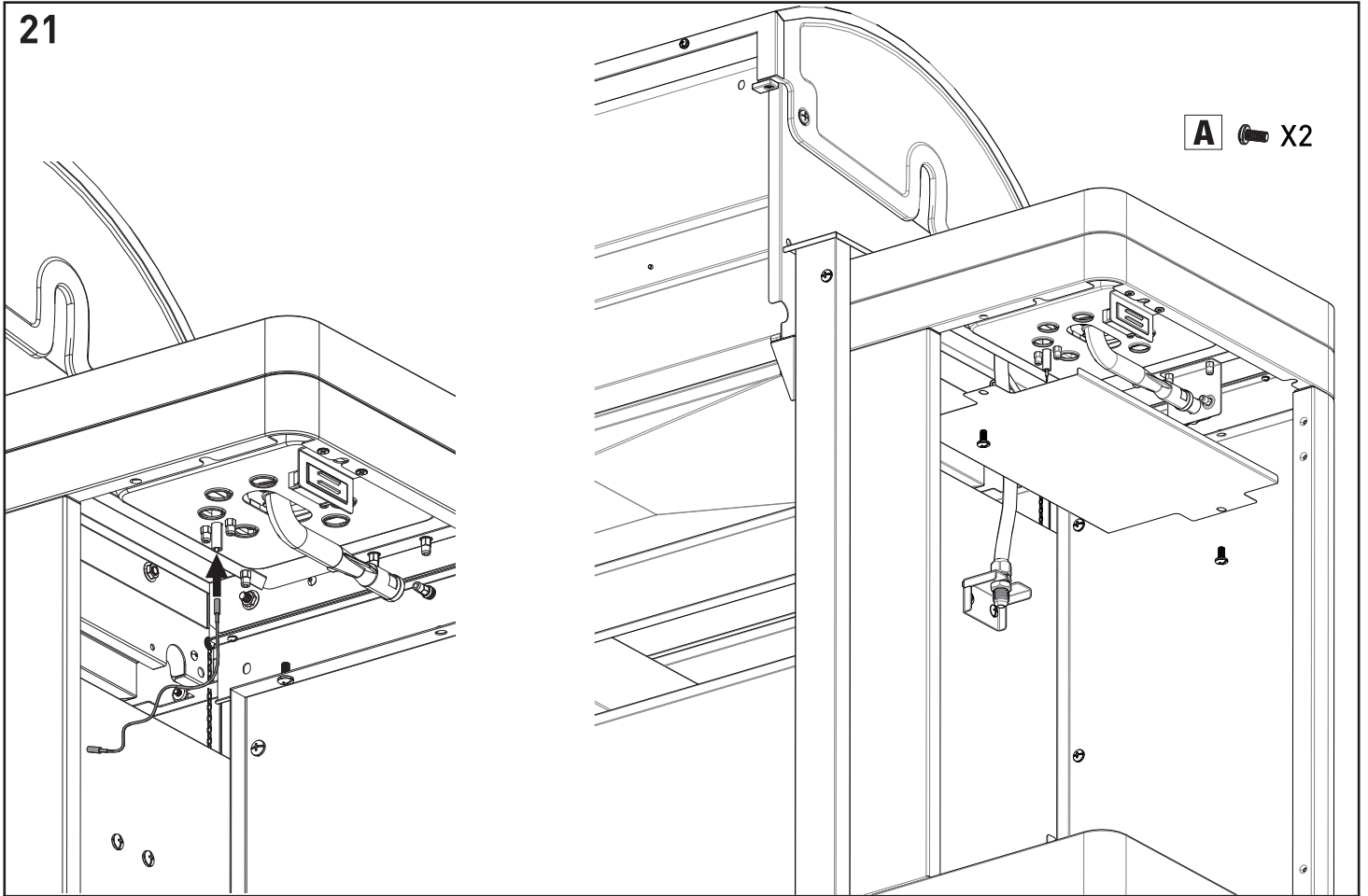


M X2

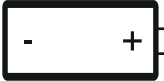


M X1

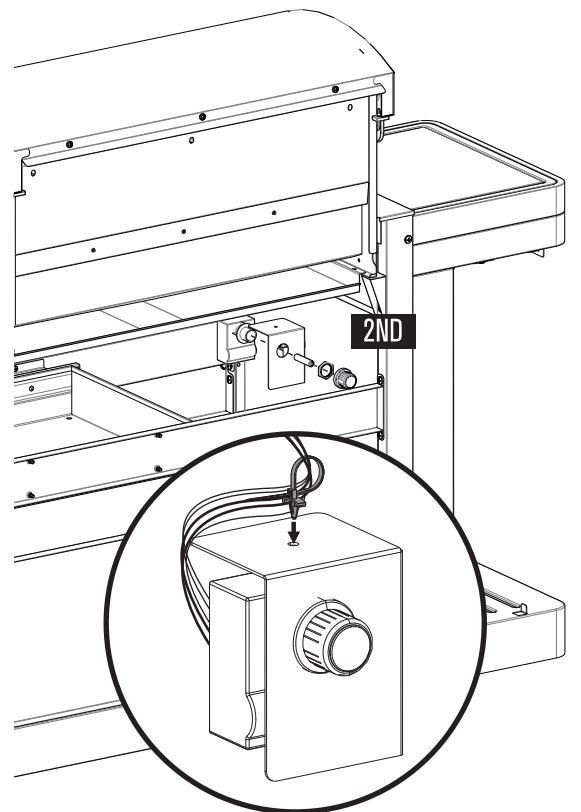
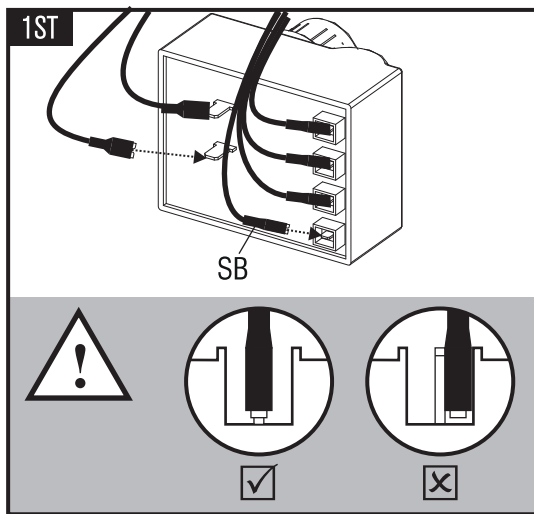
21



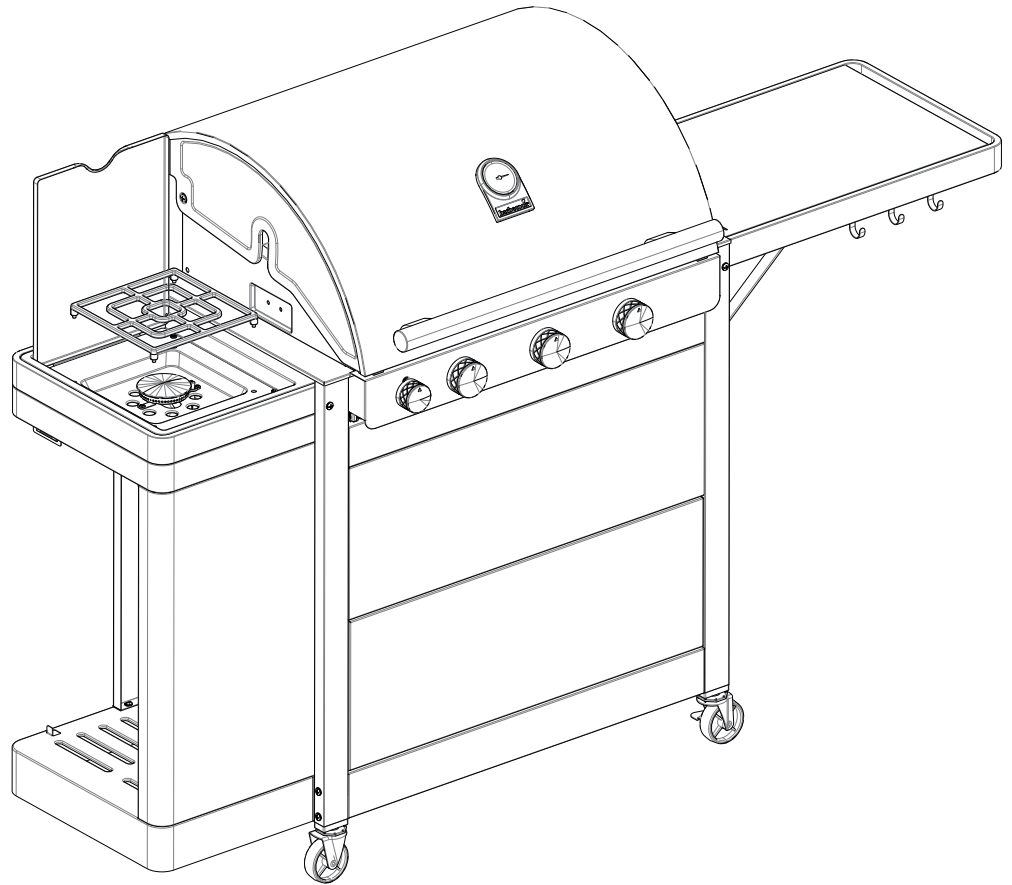
22

+ 1 

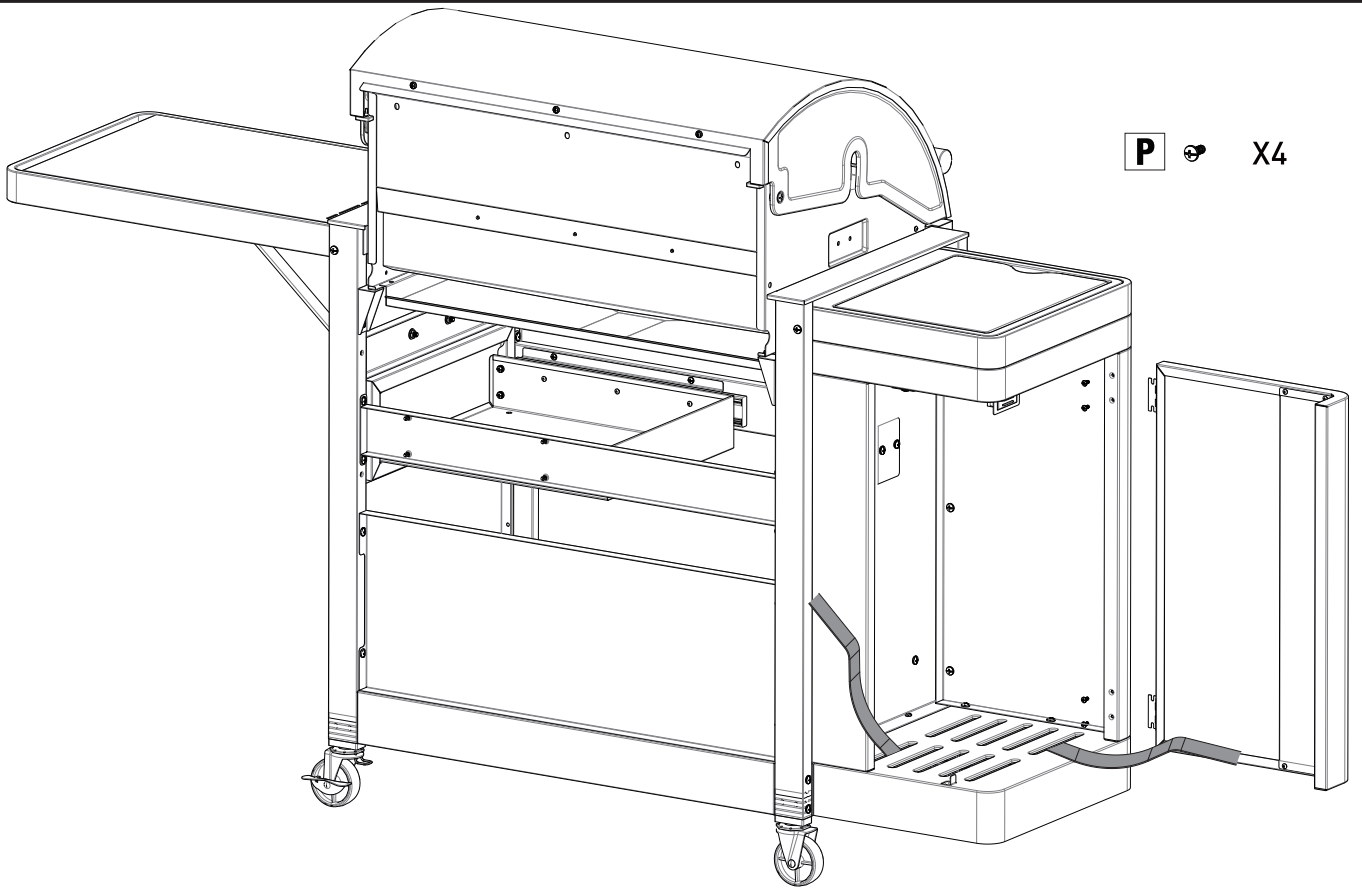
Not included
AA battery
LR 6, AM 3
1,5 V



23

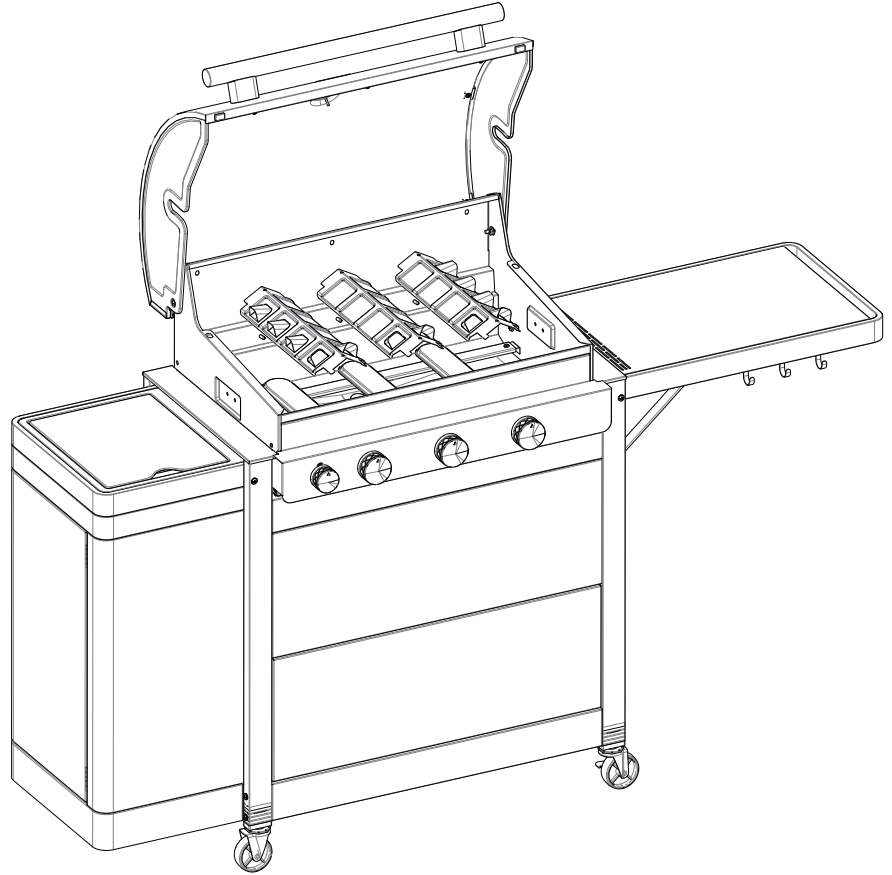


24

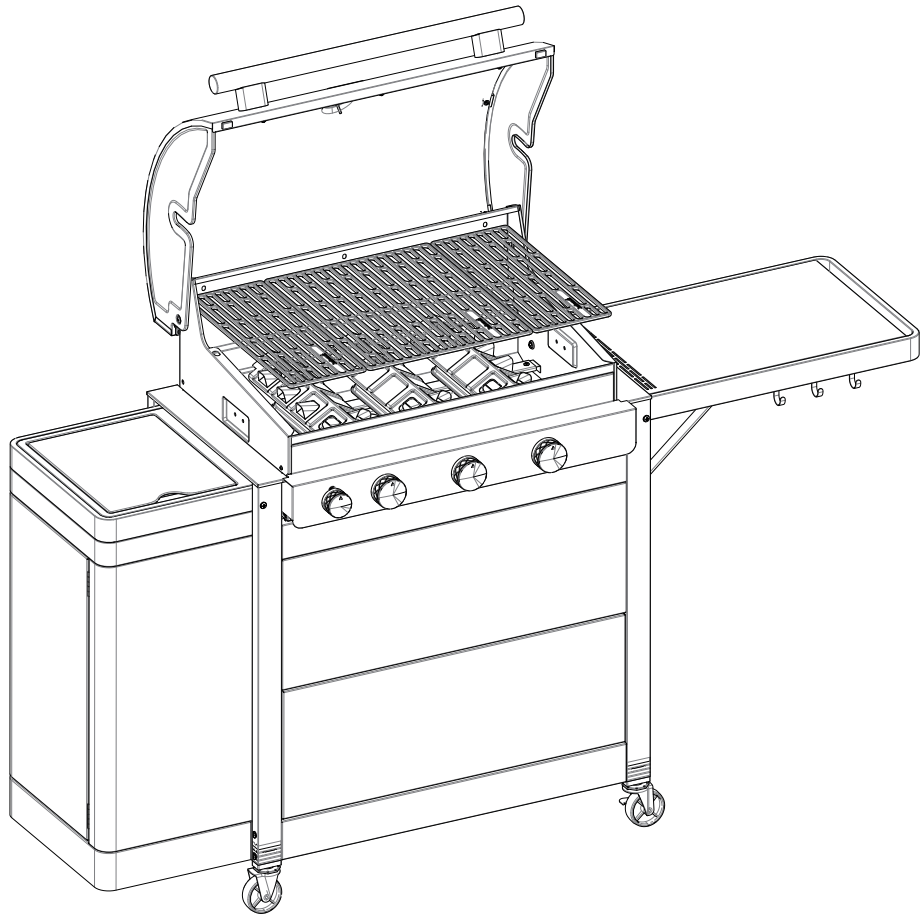


P X4

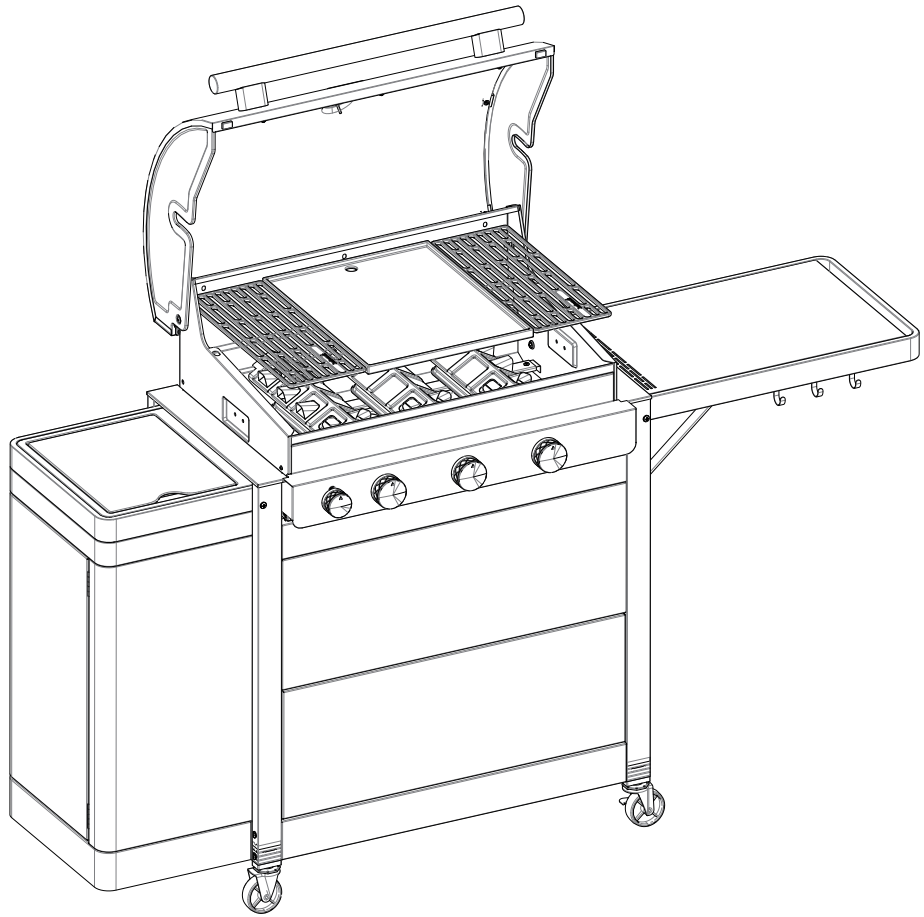
25



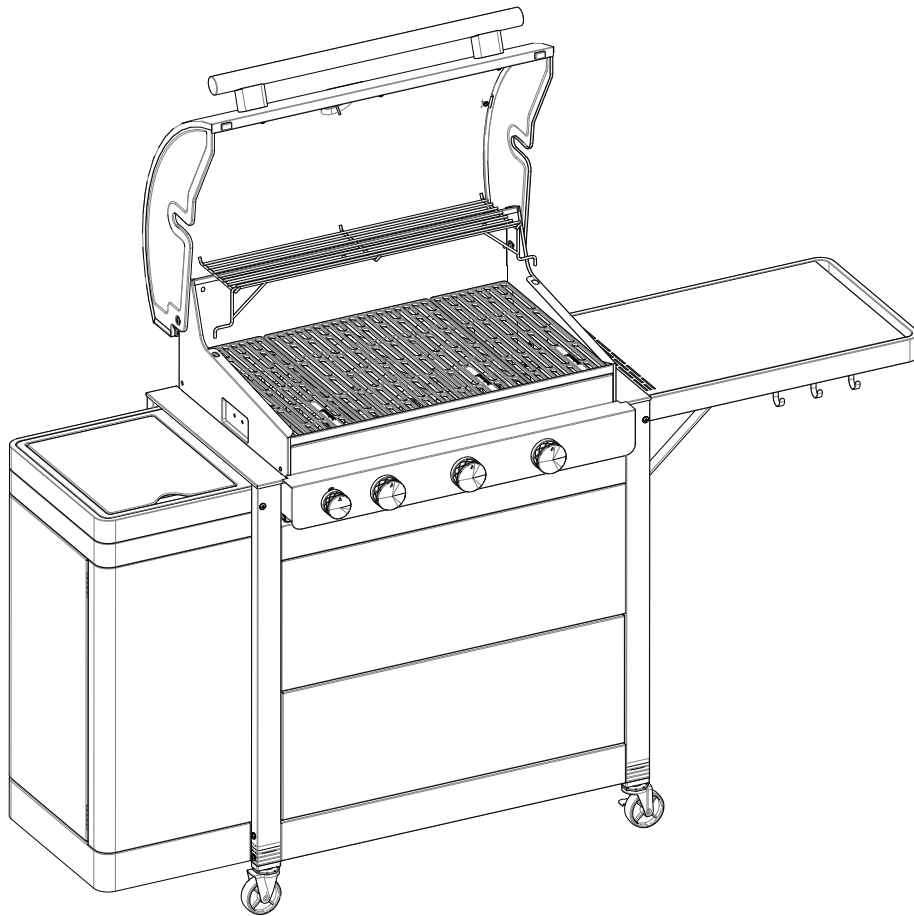
26-A



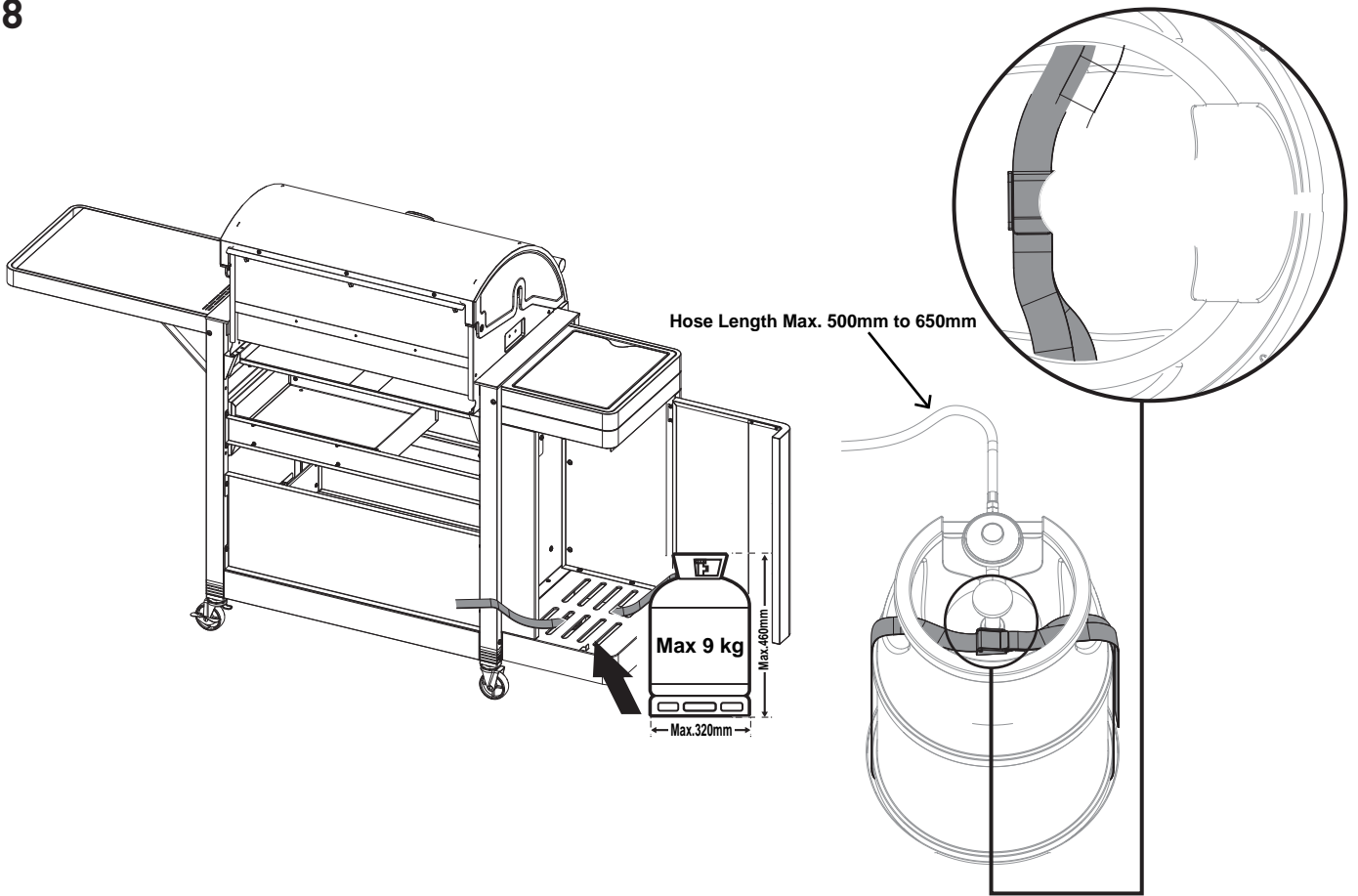
26-B



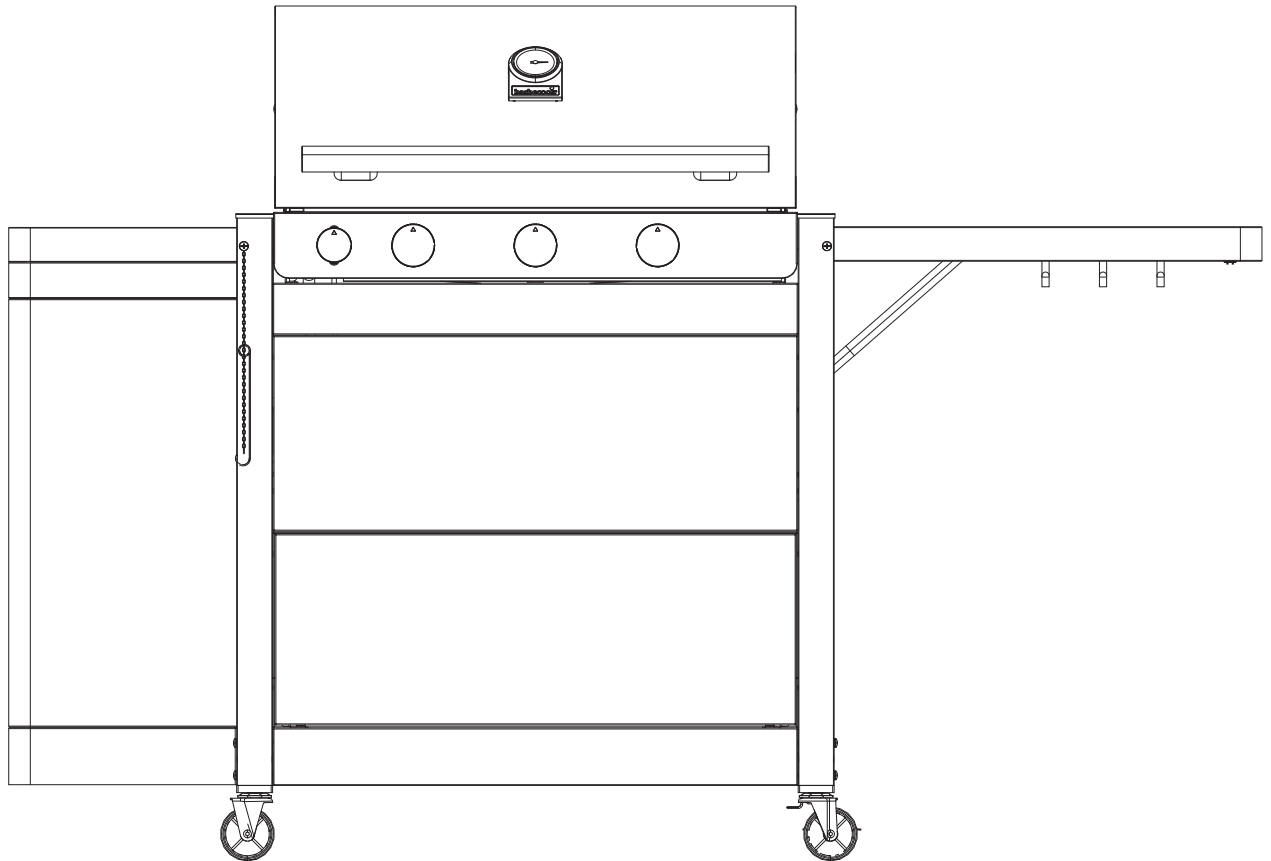
27



28



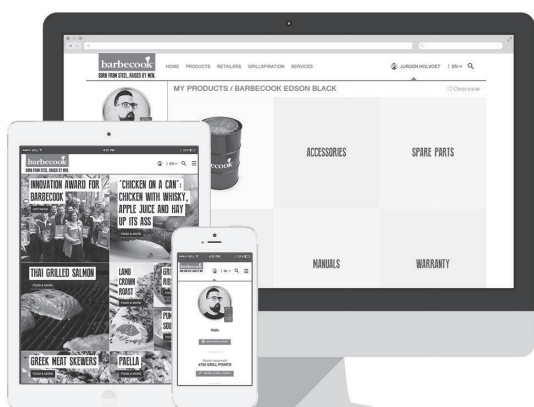
29



JOIN THE #BARBECOOK COMMUNITY



REGISTER NOW & GET ACCESS TO:



- Online **Product Manuals**
- Personalised **Grillspiration**
- **Product Tips & Tricks**
- Barbecue Challenges
- **Spare Parts Lists**
- ...

WWW.BARBECOOK.COM

Barbecue® is a registered trade mark of SAEY Home & Garden N.V.
Blokkestraat 41A, B-8550, Zwevegem, Belgium

barbecue®